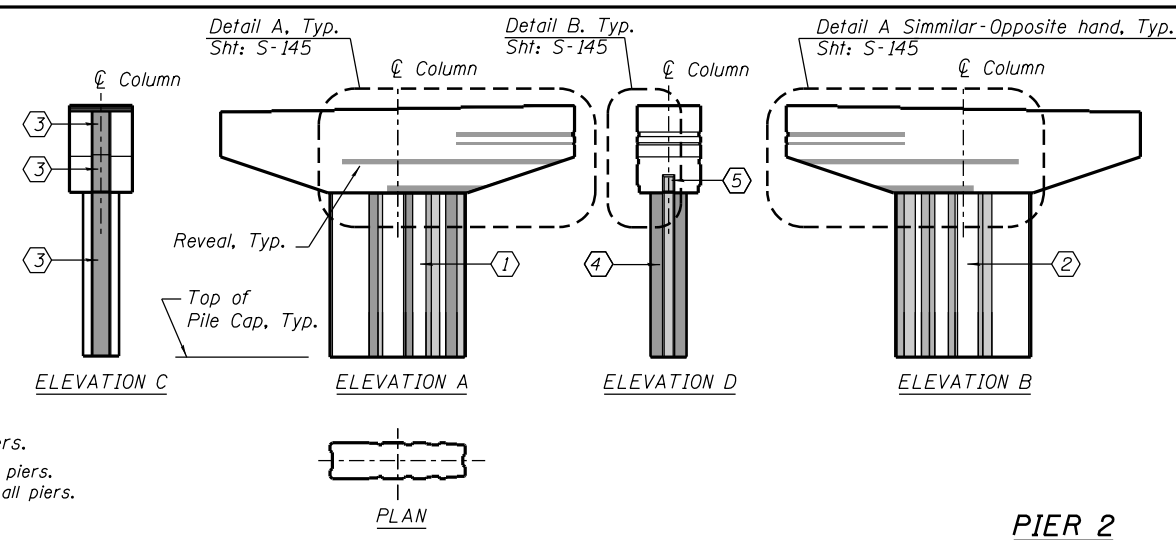
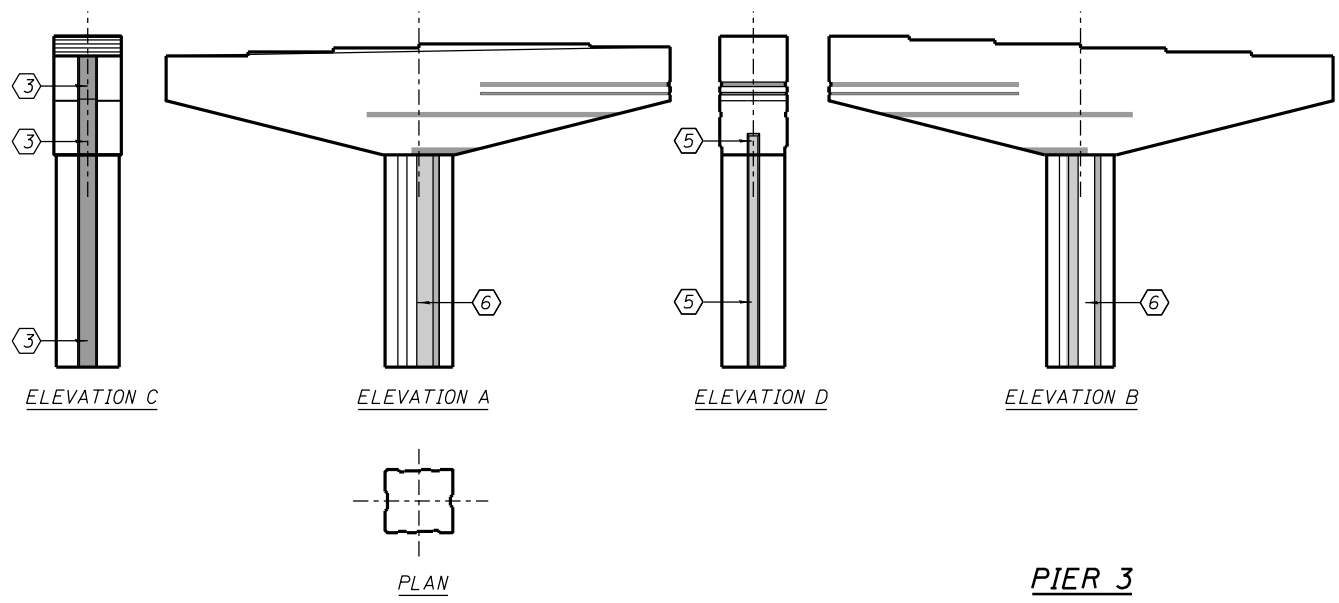


**PIER 1**

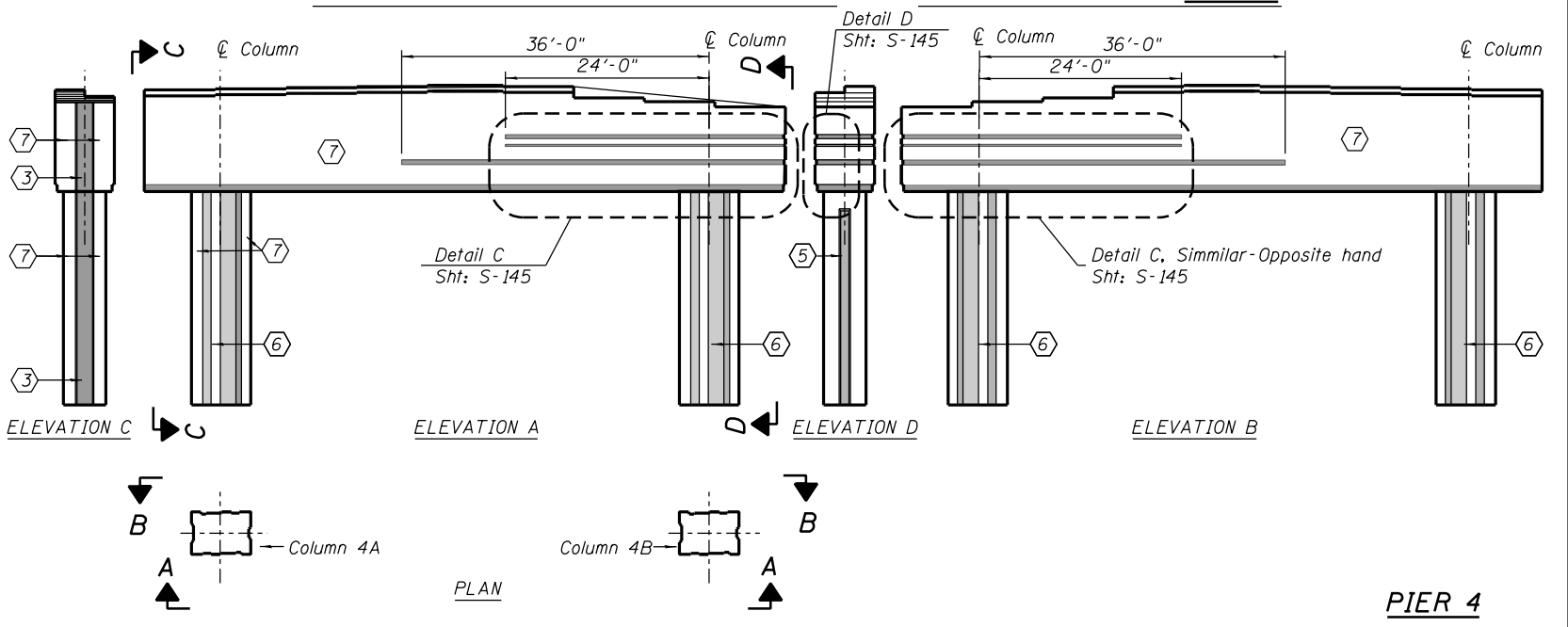
\*Elevation designations are typical for all piers.  
 \*\*Elevation A - Looking Up Station, typical for all piers.  
 \*\*Elevation B - Looking Down Station, typical for all piers.



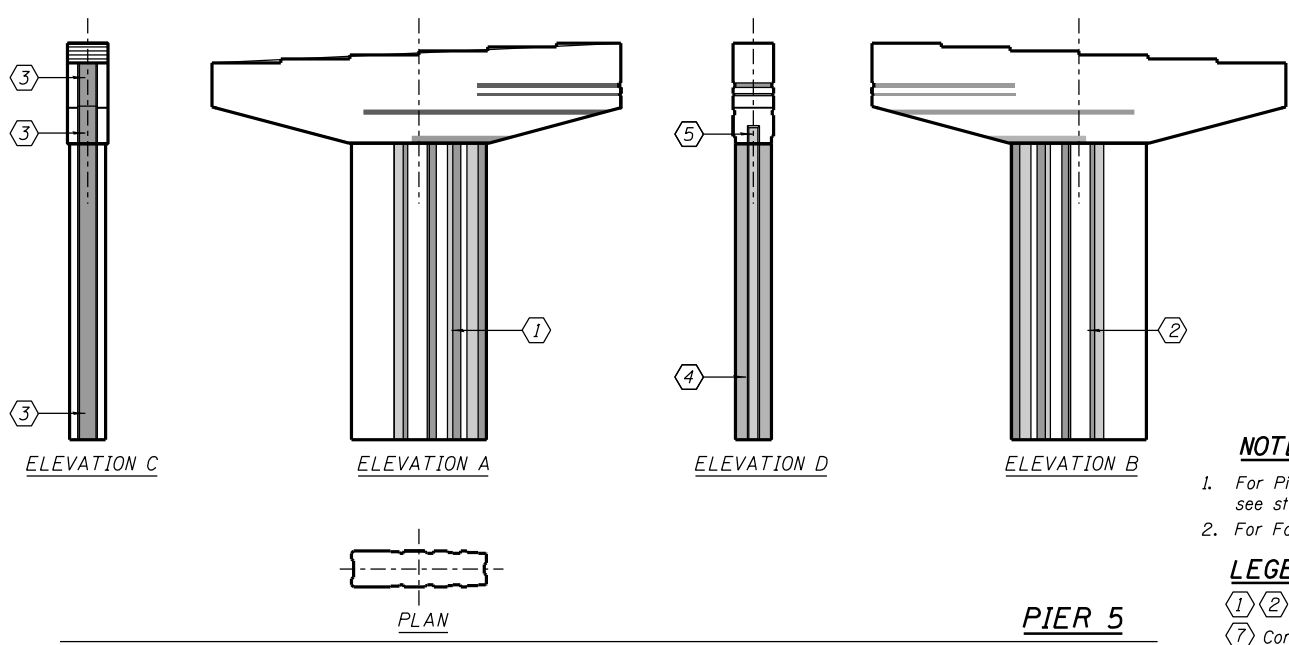
**PIER 2**



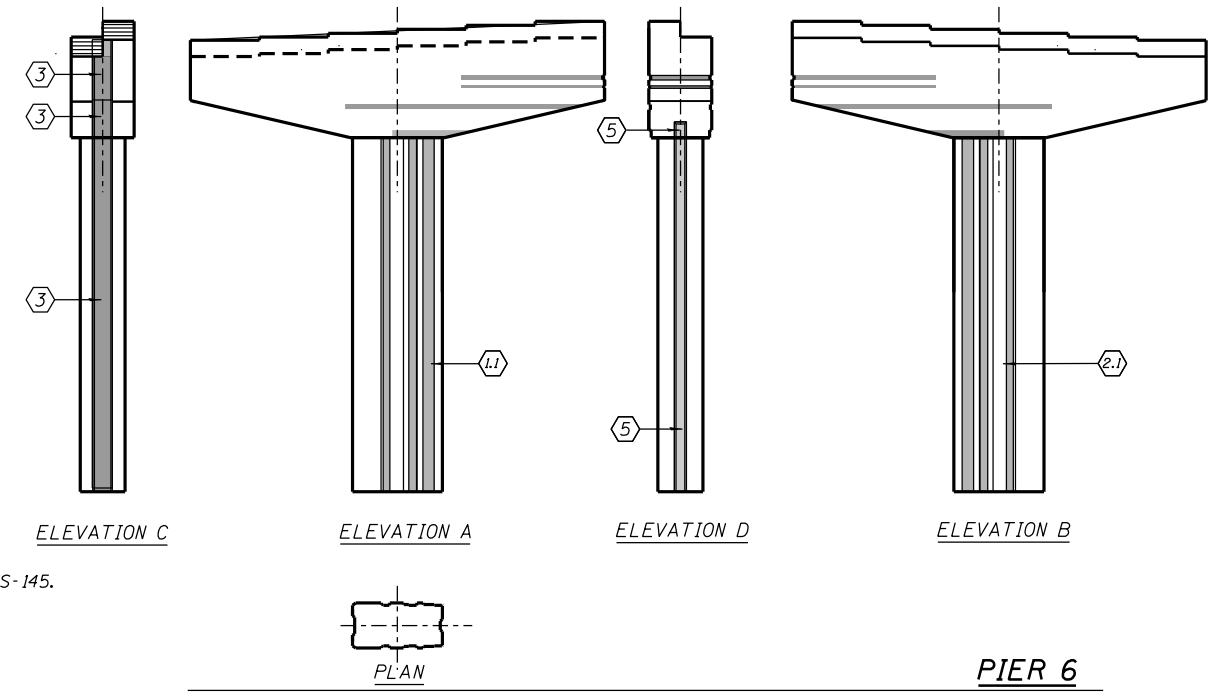
**PIER 3**



**PIER 4**



**PIER 5**



**PIER 6**

**NOTES:**  
 1. For Pier and Pier Cap dimensions see structural drawings: S-116 to S-142.  
 2. For Formliner and Reveal details see drawing S-145.

**LEGEND:**  
 ① ② ③ ④ ⑤ ⑥ Textured Formliner  
 ⑦ Contractor's form

0161705-60W28-S143-Pier-Elev.dgn



USER NAME = floresg	DESIGNED - MR	REVISED
PLOT SCALE = N.T.S.	CHECKED - ATB	REVISED
PLOT DATE = 5/7/2014	DRAWN - MR	REVISED
	CHECKED - ATB	REVISED

**STATE OF ILLINOIS  
 DEPARTMENT OF TRANSPORTATION**

**ARCHITECTURAL DETAILS I  
 STRUCTURE NO. 016-1705**  
 SHEET NO. S-143 OF S-165 SHEETS

F.A.I. RTE. 90/94/290	SECTION 2013-010R	COUNTY COOK	TOTAL SHEETS 747	SHEET NO. 458
CONTRACT NO. 60W28			ILLINOIS FED. AID PROJECT	