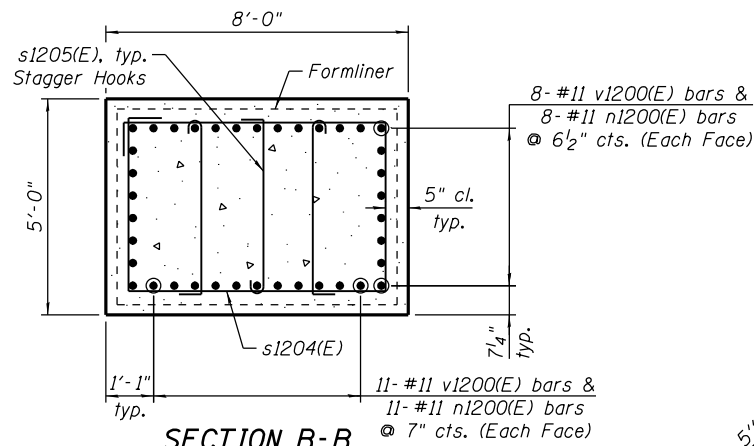
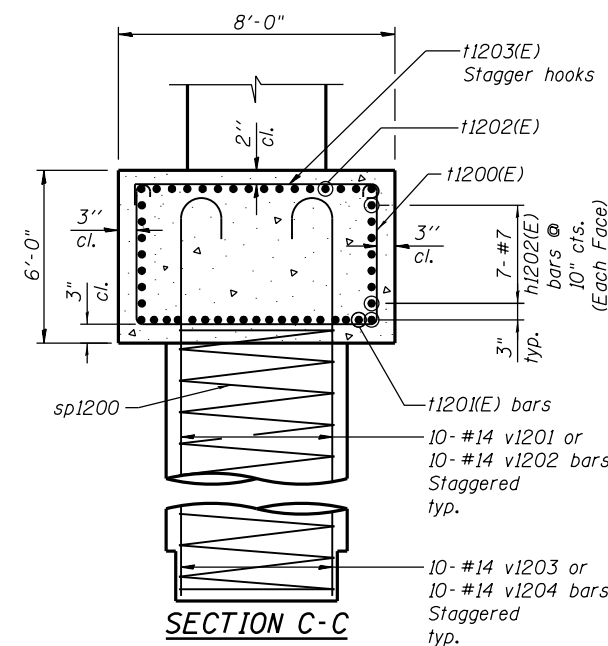


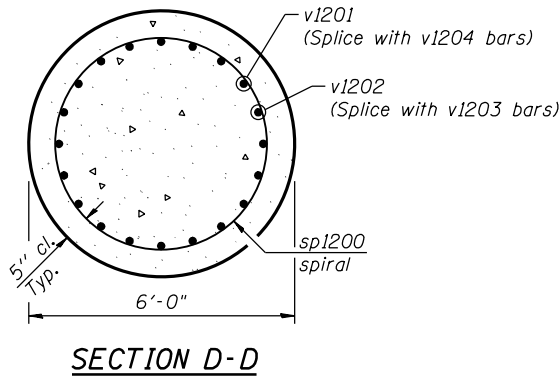
**SECTION A-A**



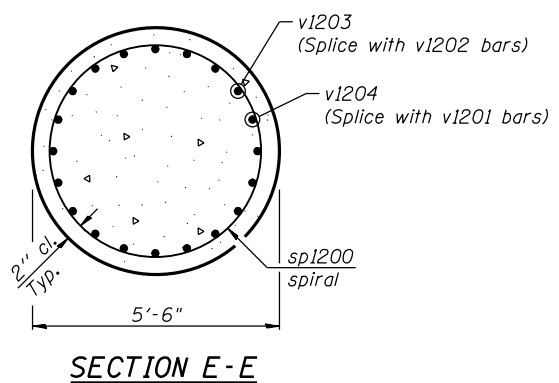
**SECTION B-B**



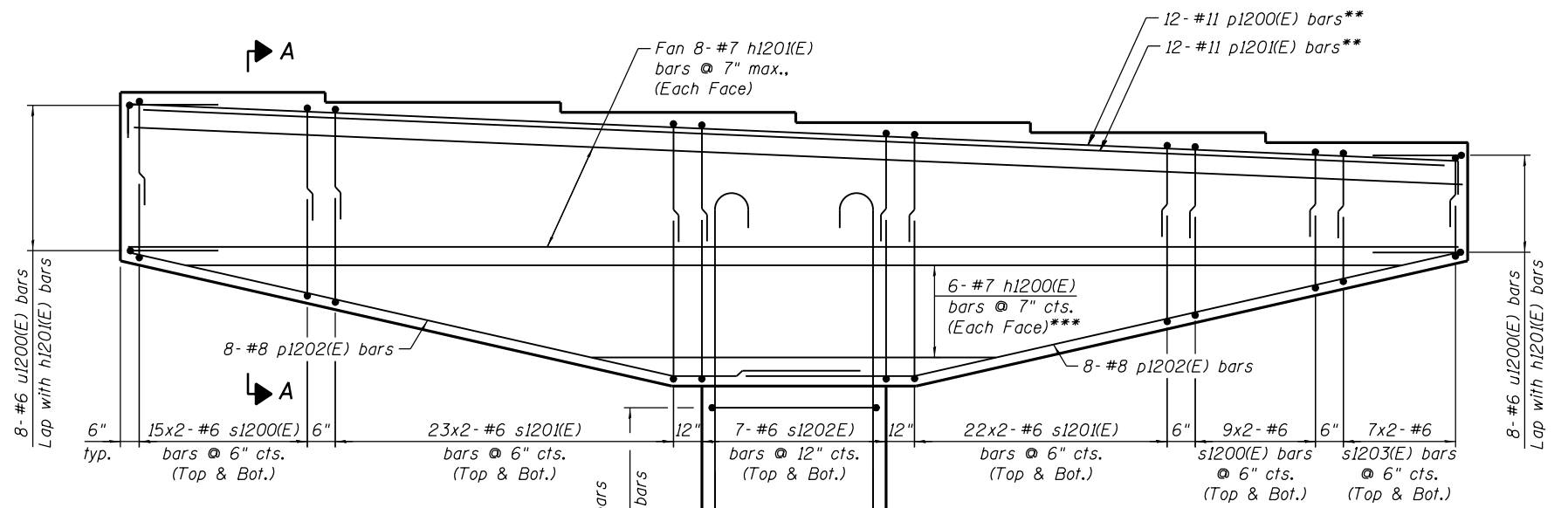
**SECTION C-C**



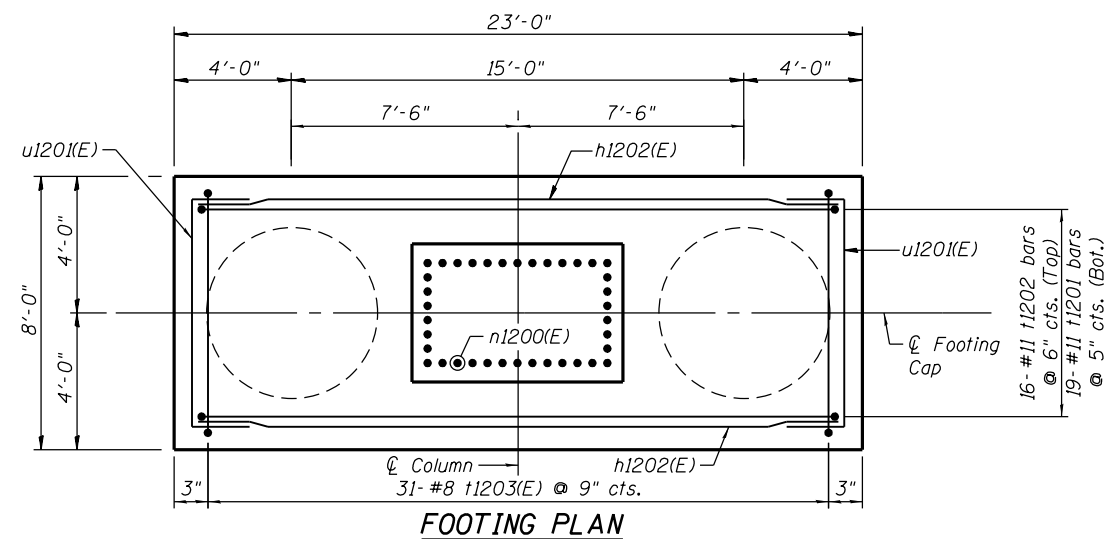
**SECTION D-D**



**SECTION E-E**



**ELEVATION**  
(Looking West)



**FOOTING PLAN**

\*\* Slope with bearing steps.  
\*\*\* See Field Cutting Diagram on sheet S-141.

- NOTES:**
- Space reinforcement in cap to miss anchor bolts.
  - sp1200 spiral  
1) Provide 1/2 extra turns top and bottom. Extend spiral 3" into pile cap. Provide 4- #4 spacers or equivalent.  
2) When splicing spiral reinforcement is necessary, the spirals shall be provided with 1/2 extra turns at the ends to be spliced. These additional turns shall either be welded together according to AWS D1.4, or shall both terminate with a 135° standard hook.
  - Contractor shall use Mechanical Splicers in drilled shaft that will fit between spirals. Contractor shall field adjust spiral pitch to 12" maximum at Mechanical Splicer locations.
  - A Drilled Shaft shall be tested in accordance with Special Provisions for Crosshole Sonic Logging.

0161705-60W28-S142-Pier.dgn



USER NAME = floresg	DESIGNED - RD	REVISED
PLOT SCALE = N.T.S.	CHECKED - ATB	REVISED
PLOT DATE = 5/7/2014	DRAWN - BM	REVISED
	CHECKED - RD	REVISED

**STATE OF ILLINOIS**  
**DEPARTMENT OF TRANSPORTATION**

**PIER 12 DETAILS**  
**STRUCTURE NO. 016-1705**

SHEET NO. S-142 OF S-165 SHEETS

F.A.I. RTE. 90/94/290	SECTION 2013-010R	COUNTY COOK	TOTAL SHEETS 747	SHEET NO. 457
CONTRACT NO. 60W28			ILLINOIS FED. AID PROJECT	