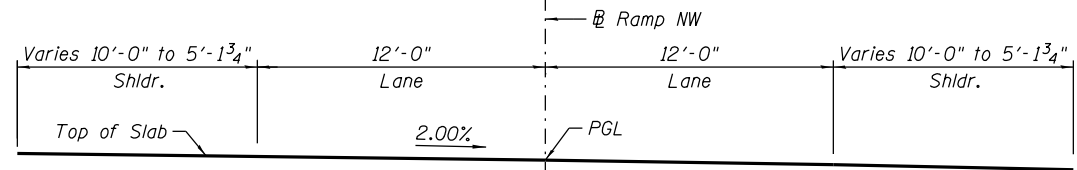
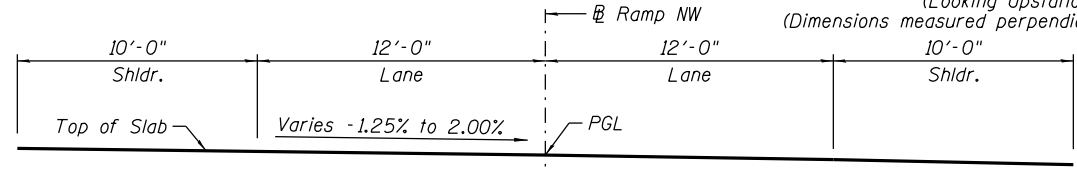


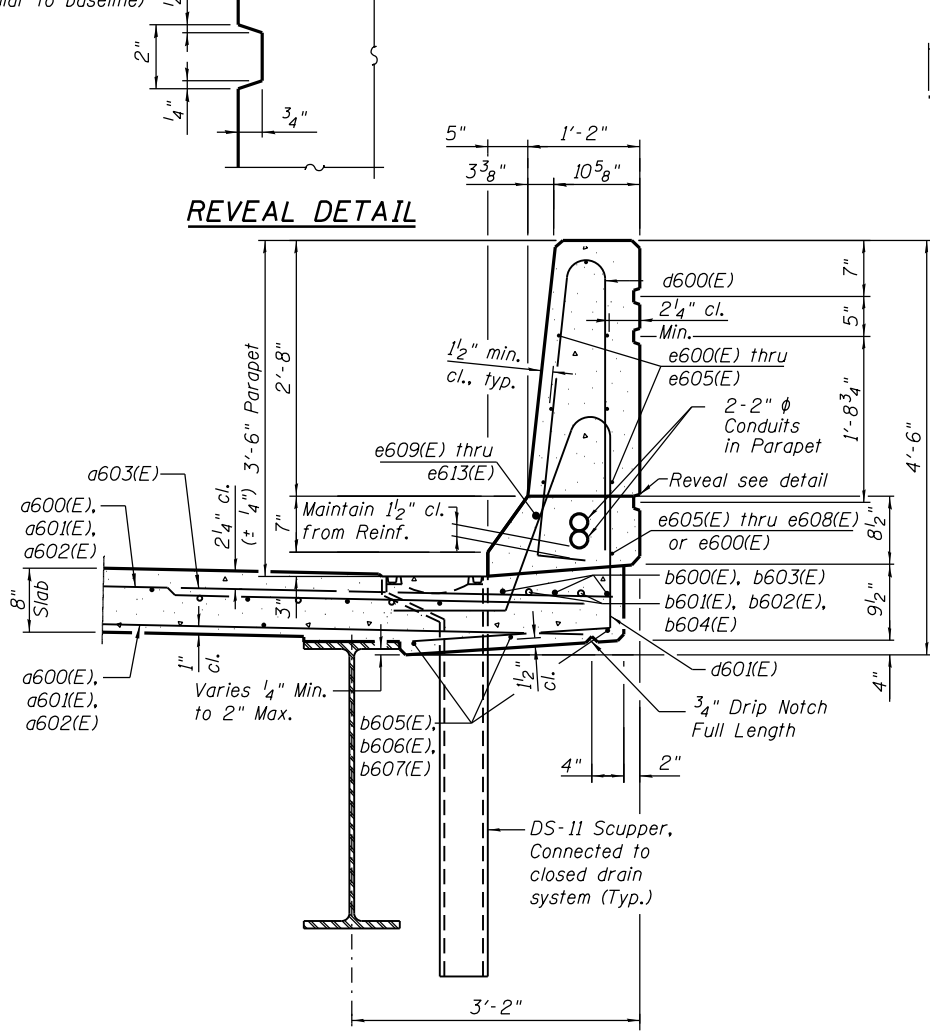
**SUPERSTRUCTURE
BILL OF MATERIAL**

Bar	No.	Size	Length	Shape	
a600(E)	1198	#5	30'-0"	—	
a601(E)	1039	#5	19'-10"	—	
a602(E)	159	#5	15'-2"	—	
a603(E)	1422	#6	6'-6"	—	
a604(E)	48	#6	7'-9"	—	
a605(E)	12	#6	3'-1"	—	
a606(E)	24	#6	2'-8"	—	
a607(E)	16	#5	1'-6"	—	
b600(E)	608	#5	30'-0"	—	
b601(E)	188	#6	35'-0"	—	
b602(E)	12	#6	28'-0"	—	
b603(E)	6	#5	8'-3"	—	
b604(E)	4	#6	9'-4"	—	
b605(E)	580	#5	27'-3"	—	
b606(E)	16	#5	16'-1"	—	
b607(E)	44	#5	21'-6"	—	
d600(E)	708	#5	6'-10"	—	
d601(E)	708	#5	7'-4"	—	
e600(E)	48	#4	19'-8"	—	
e601(E)	14	#4	17'-0"	—	
e602(E)	56	#4	14'-8"	—	
e603(E)	126	#4	16'-8"	—	
e604(E)	14	#4	16'-11"	—	
e605(E)	16	#4	15'-11"	—	
e606(E)	6	#4	27'-1"	—	
e607(E)	6	#4	29'-7"	—	
e608(E)	6	#4	29'-8"	—	
e609(E)	6	#8	19'-8"	—	
e610(E)	6	#8	29'-2"	—	
e611(E)	6	#8	31'-9"	—	
e612(E)	6	#8	31'-10"	—	
e613(E)	2	#8	15'-11"	—	
x600(E)	82	#5	8'-2 1/2"	—	
Reinforcement Bars, Epoxy Coated				Pound	139,840
Concrete Superstructure				Cu. Yd.	492
Bridge Deck Grooving (Special)				Sq. Yd.	1430
Protective Coat				Sq. Yd.	1865

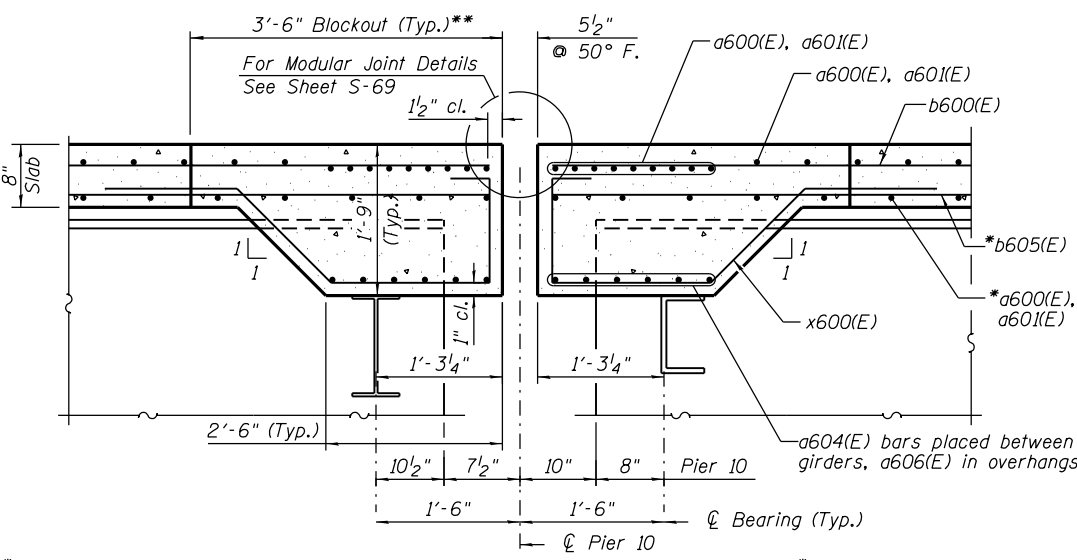
DECK CROSS SECTION - UNIT VI
(Looking Upstation)
(Dimensions measured perpendicular to baseline)



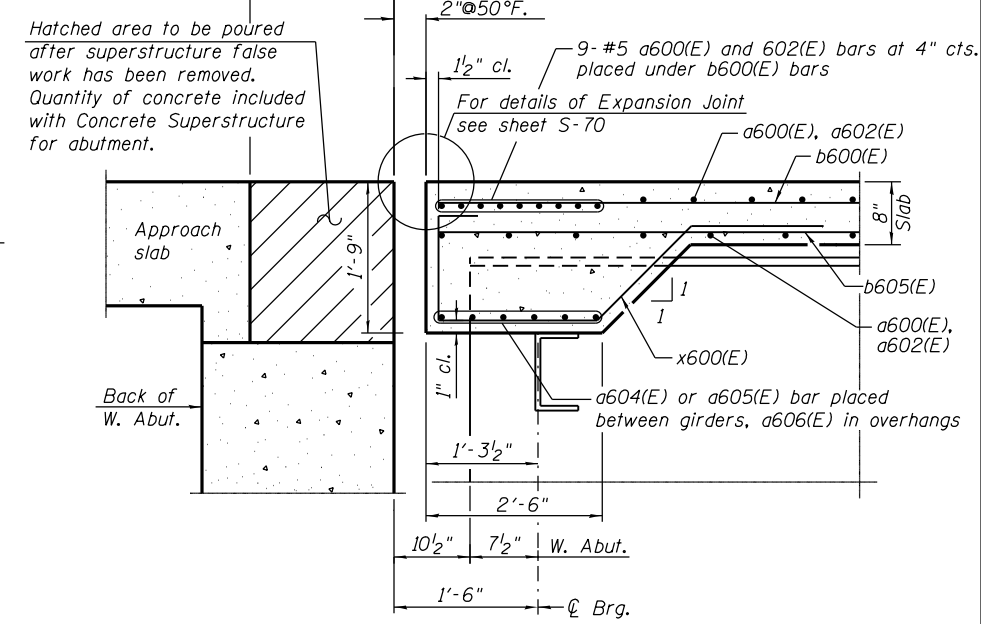
REVEAL DETAIL



SECTION G-G



SECTION H-H



**Blockout dimensions to be verified by Contractor with Joint Manufacturer

SECTION G-G
(Horiz. Dims. @ RT L's to C Brg.)

*Bars to be adjusted in field to miss support boxes and beam webs

SECTION THRU PARAPET

(Horiz. Dims. @ RT L's to C Brg.)



USER NAME = floresg	DESIGNED - JRE	REVISED
PLOT SCALE = N.T.S.	CHECKED - JPH	REVISED
PLOT DATE = 5/7/2014	DRAWN - TNP	REVISED
	CHECKED - EJO	REVISED

**STATE OF ILLINOIS
DEPARTMENT OF TRANSPORTATION**

**DECK CROSS SECTION - UNIT VI
STRUCTURE NO. 016-1705**

SHEET NO. S-57 OF S-165 SHEETS

F.A.I. RTE. 90/94/290	SECTION 2013-010R	COUNTY COOK	TOTAL SHEETS 747	SHEET NO. 373
CONTRACT NO. 60W28			ILLINOIS FED. AID PROJECT	

0161705-60W28-S057-xsect.dgn