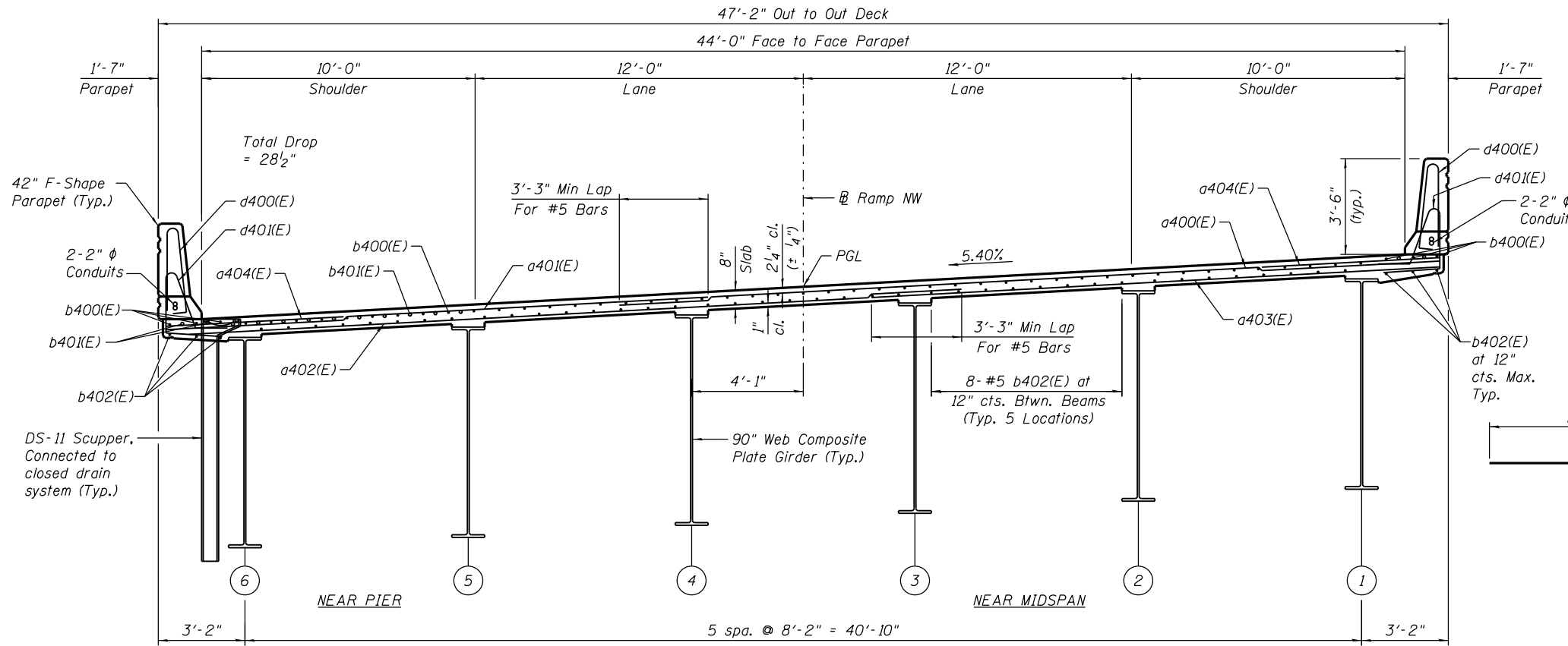


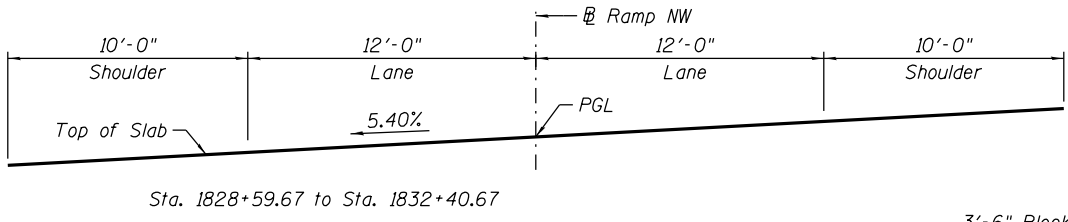
**SUPERSTRUCTURE
BILL OF MATERIAL**

Bar	No.	Size	Length	Shape	
a400(E)	869	#5	30'-0"	—	
a401(E)	869	#5	19'-10"	—	
a402(E)	595	#5	30'-0"	—	
a403(E)	595	#5	19'-10"	—	
a404(E)	1738	#6	6'-6"	—	
a405(E)	60	#6	7'-10"	—	
a406(E)	24	#6	2'-8"	—	
a407(E)	16	#5	1'-6"	—	
b400(E)	765	#5	29'-6"	—	
b401(E)	240	#6	31'-0"	—	
b402(E)	736	#5	27'-10"	—	
d400(E)	832	#5	6'-10"	—	
d401(E)	832	#5	7'-4"	—	
e400(E)	32	#4	19'-8"	—	
e401(E)	14	#4	15'-11"	—	
e402(E)	266	#4	15'-11"	—	
e403(E)	14	#4	15'-3"	—	
e404(E)	12	#4	28'-9"	—	
e405(E)	14	#4	27'-2"	—	
e406(E)	4	#8	19'-8"	—	
e407(E)	12	#8	31'-5"	—	
e408(E)	12	#8	34'-0"	—	
x400(E)	92	#5	8'-2 1/2"	—	
Reinforcement Bars, Epoxy Coated				Pound	169,380
Concrete Superstructure				Cu. Yd.	591
Bridge Deck Grooving (Special)				Sq. Yd.	1734
Protective Coat				Sq. Yd.	2245



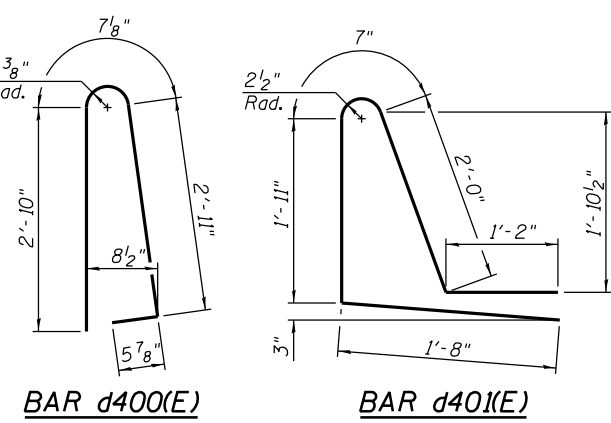
DECK CROSS SECTION - UNIT IV

(Looking Upstation)
(Dimensions measured perpendicular to baseline)



DECK CROSS SLOPE DETAIL UNIT IV

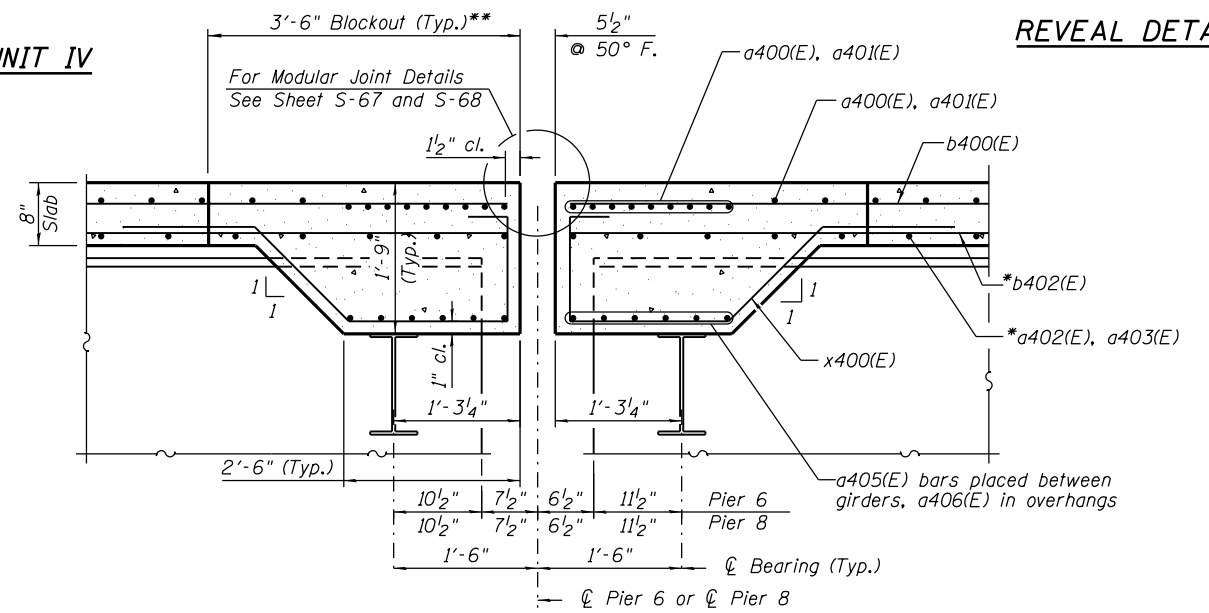
Sta. 1828+59.67 to Sta. 1832+40.67



BAR d400(E)

BAR d401(E)

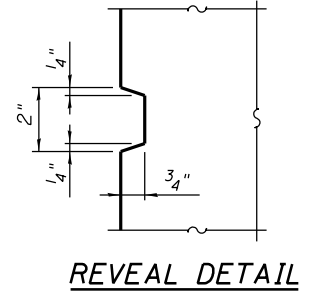
**Blockout dimensions to be verified by Contractor with Joint Manufacturer



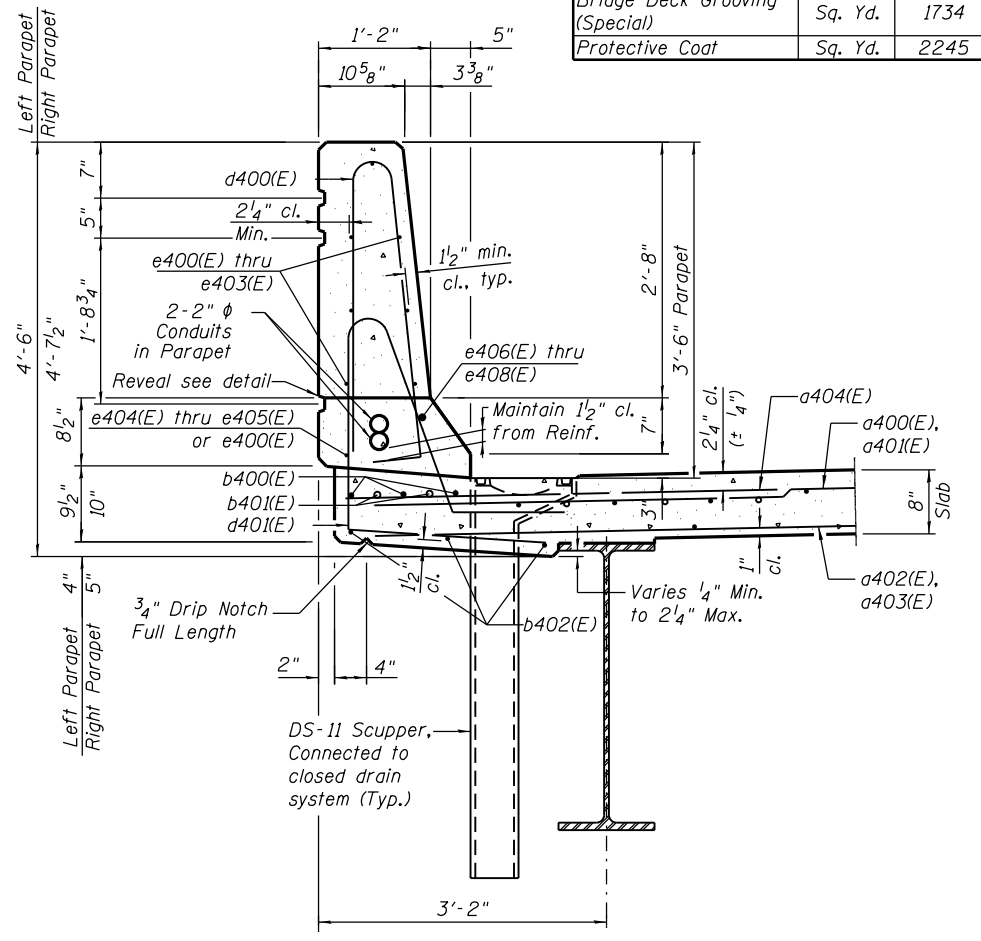
SECTION E-E

(Horiz. Dims. @ RT L's to Q Brg.)

*Bars to be adjusted in field to miss support boxes and beam webs



REVEAL DETAIL



SECTION THRU PARAPET



USER NAME = floresg	DESIGNED - JRE	REVISED
PLOT SCALE = N.T.S.	CHECKED - JPH	REVISED
PLOT DATE = 5/7/2014	DRAWN - TNP	REVISED
	CHECKED - EJO	REVISED

STATE OF ILLINOIS
DEPARTMENT OF TRANSPORTATION

DECK CROSS SECTION - UNIT IV
STRUCTURE NO. 016-1705

SHEET NO. S-55 OF S-165 SHEETS

F.A.I. R.T.E. 90/94/290	SECTION 2013-010R	COUNTY COOK	TOTAL SHEETS 747	SHEET NO. 371
CONTRACT NO. 60W28			ILLINOIS FED. AID PROJECT	

0161705-60W28-S055-Xsect.dgn