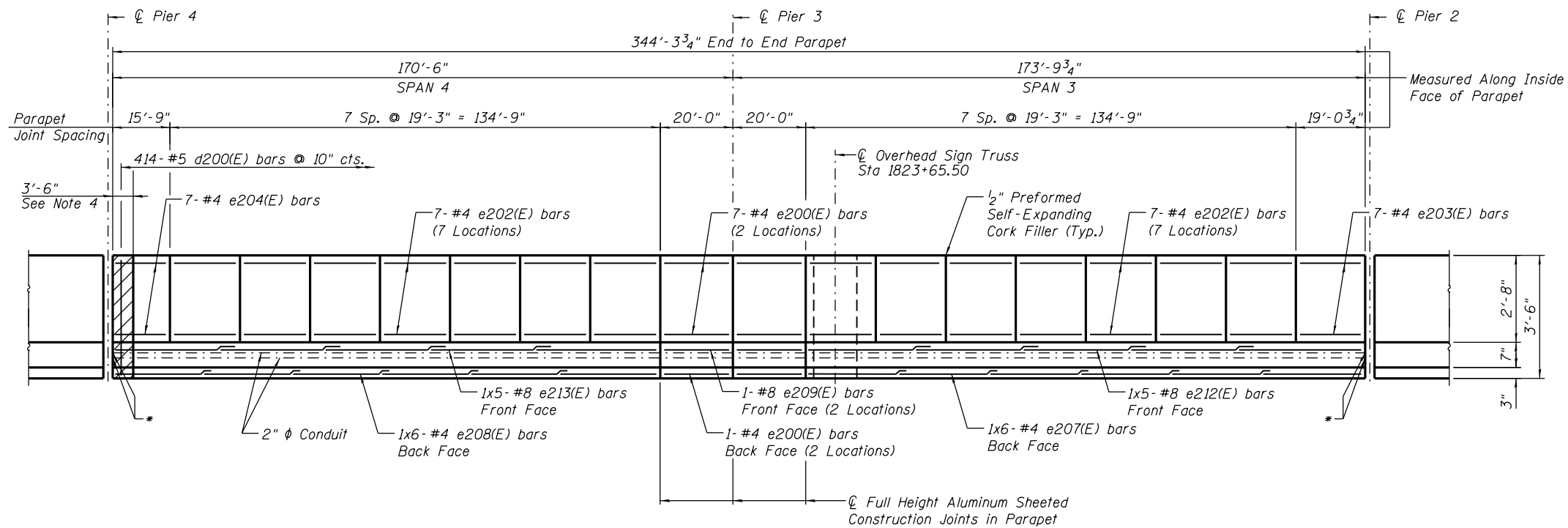


MIN. BAR LAP
(Parapet)
#4 bar = 2'-0"
#8 bar = 5'-2"

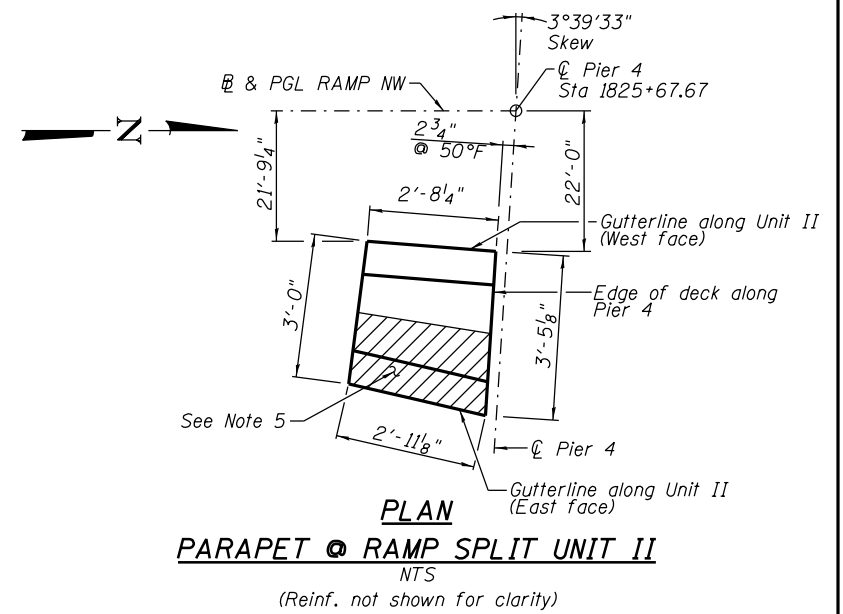
INSIDE ELEVATION OF LEFT PARAPET - UNIT II



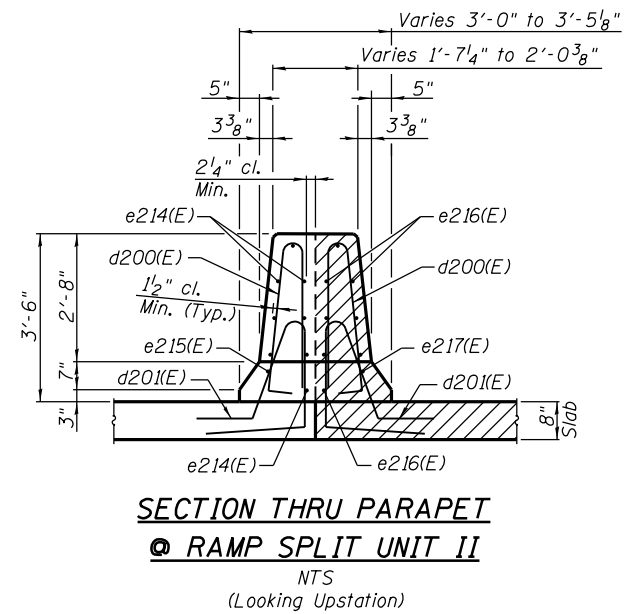
INSIDE ELEVATION OF RIGHT PARAPET - UNIT II

NOTES:

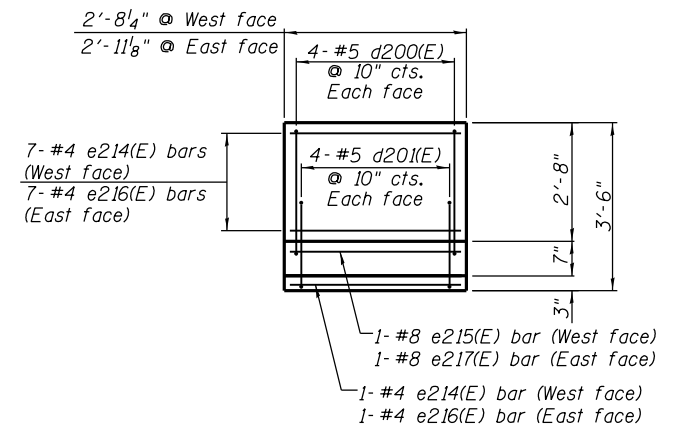
- Contractor to provide expansion/deflection conduit fittings at all structural expansion joints. See electrical plans for expansion/deflection fitting installation details.
- Bars indicated Locations: 1x4-#8 etc., indicates one line of bars with 4 lengths per line.
- For parapet details see Sheet S-58.
- Do not pour parapet concrete in 3'-6" Block Out region. Install reinforcement bars for entire 15'-9" panel, 3'-6" Block Out and parapet concrete to be poured in future Contract for SN 016-1710 (Ramp NE) by Others.
- Do not pour parapet concrete in the Ramp NE side of the parapet block. Install reinforcement bars for the entire parapet block. The Ramp NE parapet concrete to be poured in future Contract for SN 016-1710 by Others.
- For overhead sign truss parapet details see Sheets S-34, S-35, S-36 and S-58.
- For electrical junction box locations and conduit stub out details see electrical plans.



PLAN
PARAPET @ RAMP SPLIT UNIT II
NTS
(Reinf. not shown for clarity)



SECTION THRU PARAPET
@ RAMP SPLIT UNIT II
NTS
(Looking Upstation)



INSIDE ELEVATION
PARAPET @ RAMP SPLIT UNIT II
NTS

0161705-60W28-5046-Parapet.dgn



USER NAME = floresg	DESIGNED - KMS	REVISED
PLOT SCALE = N.T.S.	CHECKED - JPH	REVISED
PLOT DATE = 5/7/2014	DRAWN - TNP	REVISED
	CHECKED - EJO	REVISED

STATE OF ILLINOIS
DEPARTMENT OF TRANSPORTATION

PARAPET ELEVATIONS - UNIT II
STRUCTURE NO. 016-1705

SHEET NO. S-46 OF S-165 SHEETS

F.A.I. R.T.E. 90/94/290	SECTION 2013-010R	COUNTY COOK	TOTAL SHEETS 747	SHEET NO. 362
CONTRACT NO. 60W28			ILLINOIS FED. AID PROJECT	