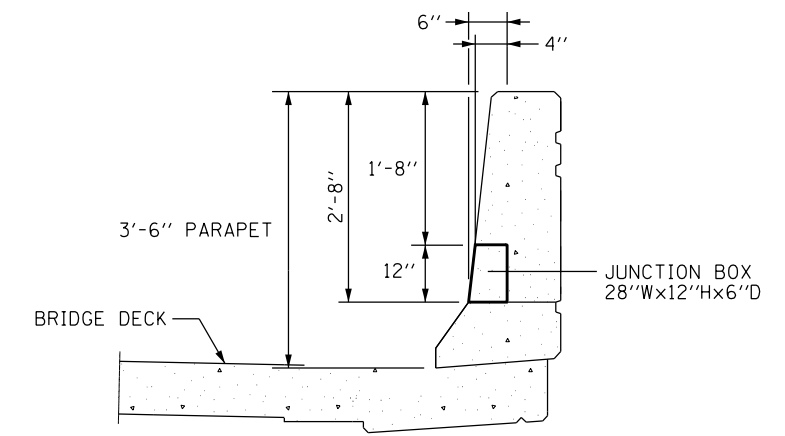
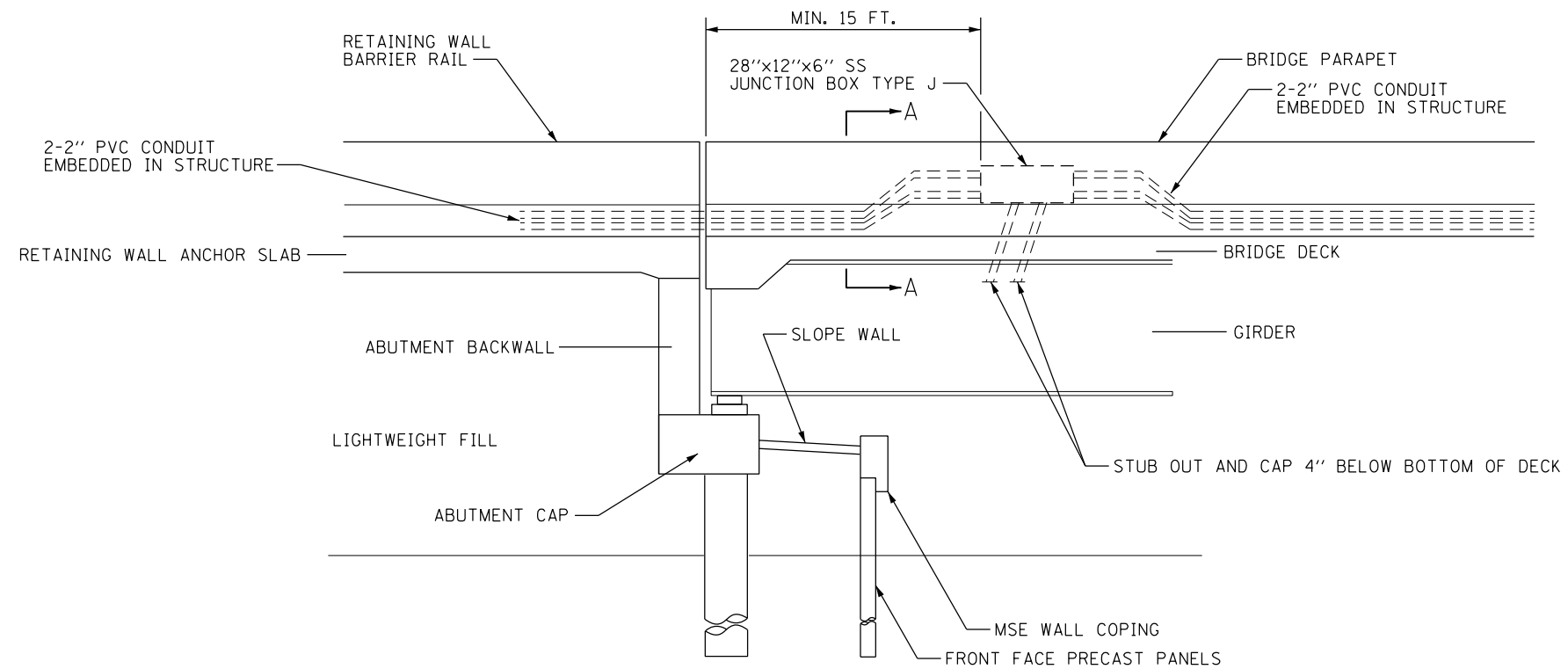


FILE PATH = p:\388035\pmt\escomonline\local\AECOM\Documents\01\_Americas\Transportation\6269938\_Circle\Phase\_1\000\_CAD\005\_Roadway\Sheets\60W28\_Contract\0160W28-sht-ITS-09C



SECTION A-A



ABUTMENT WALL DETAIL



D160W28-sht-ITS-09C	DESIGNED - GWS	REVISED -
USER NAME = myersc	DRAWN - CAM	REVISED -
PLOT SCALE = 308.5710' / 1"	CHECKED - JDG	REVISED -
PLOT DATE = 4/24/2014	DATE - 04/28/14	REVISED -

STATE OF ILLINOIS  
DEPARTMENT OF TRANSPORTATION

ITS DETAILS  
ABUTMENT WALL DETAIL

SCALE: NO SCALE SHEET 9C OF 9 SHEETS STA. TO STA.

F.A.I. RTE.	SECTION	COUNTY	TOTAL SHEETS	SHEET NO.
90/94/290	2013-010R	COOK	747	316C
CONTRACT NO. 60W28			ILLINOIS FED. AID PROJECT	