

* Center of horizontal to center of splice dimension may vary. Verify before drilling holes in mounting tube.

PLAN DETAIL "A"
 ☉ Span between Panel Points

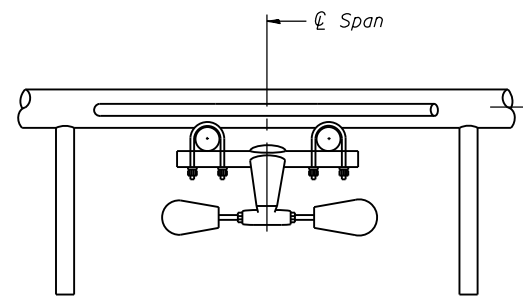
PLAN DETAIL "B"
 ☉ Span at Panel Point

PLAN DETAIL "C"
 ☉ Span at ☉ Chord Splice

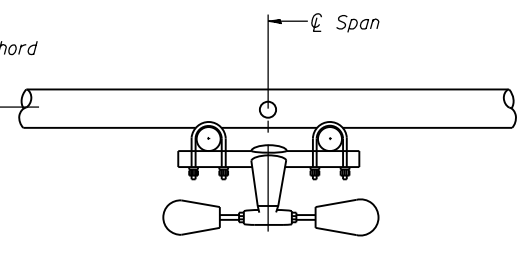
NOTES

Damper: One damper per truss. (31 lbs. minimum Stockbridge-Type Aluminum - 29" minimum between ends of weights) Cost included in Overhead Sign Structure...

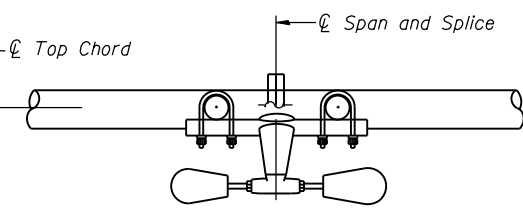
Materials: Materials: Aluminum tubes shall be ASTM B221 alloy 6061 temper T6. Cost included in Overhead Sign Structure...



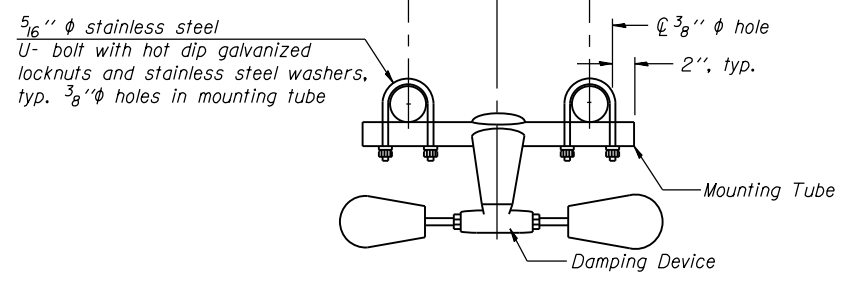
SECTION A-A



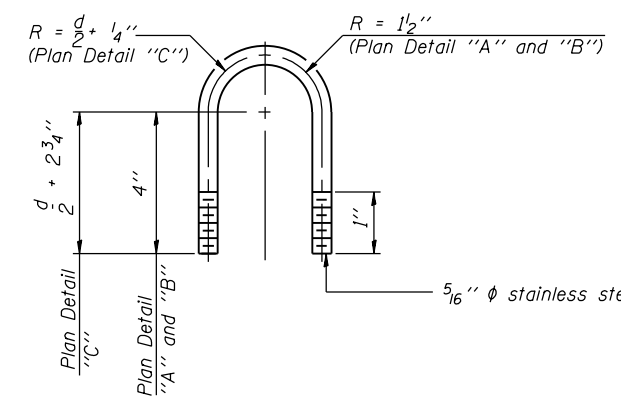
SECTION B-B



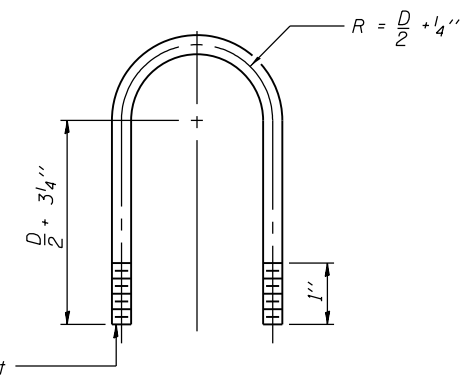
SECTION C-C



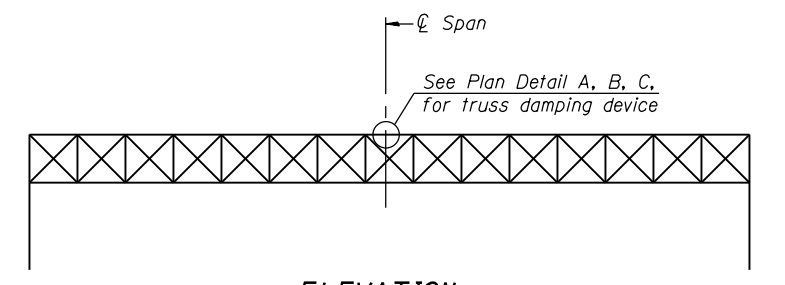
TRUSS DAMPING DEVICE CONNECTION DETAIL
 (Typical)



DAMPING DEVICE MOUNTING TUBE U-BOLT DETAIL
 (Typical)



TOP CHORD TO CROSS TUBE U-BOLT DETAIL
 (Typical - Detail "A" and "B")



ELEVATION
 Aluminum Overhead Sign Truss

60W28_SignStructure_Sheet04.dgn



USER NAME = patele1	DESIGNED - VP	REVISED
	CHECKED - DD	REVISED
PLOT SCALE = N.T.S.	DRAWN - VP	REVISED
PLOT DATE = 5/9/2014	CHECKED - ATB	REVISED

STATE OF ILLINOIS
 DEPARTMENT OF TRANSPORTATION

OVERHEAD SIGN STRUCTURE
 DAMPING DEVICE

SHEET NO. SOH-040F SOH-10 SHEETS

F.A.I. RTE.	SECTION	COUNTY	TOTAL SHEETS	SHEET NO.
90/94/290	2013-010R	COOK	747	285
CONTRACT NO.			60W28	
ILLINOIS FED. AID PROJECT				