

209

Letting June 17, 2022

Notice to Bidders, Specifications and Proposal



**Contract No. 61H44
COOK County
Section 17-00166-00-CH (Mount Prospect)
Route FAP 334 (Rand Road)
Project 0UBY-034 ()
District 1 Construction Funds**

Prepared by

Checked by

F

(Printed by authority of the State of Illinois)



- 1. TIME AND PLACE OF OPENING BIDS.** Electronic bids are to be submitted to the electronic bidding system (iCX-Integrated Contractors Exchange). All bids must be submitted to the iCX system prior to 12:00 p.m. June 17, 2022 at which time the bids will be publicly opened from the iCX SecureVault.
- 2. DESCRIPTION OF WORK.** The proposed improvement is identified and advertised for bids in the Invitation for Bids as:

**Contract No. 61H44
COOK County
Section 17-00166-00-CH (Mount Prospect)
Project 0UBY-034 ()
Route FAP 334 (Rand Road)
District 1 Construction Funds**

Reconstruct Rand Road from Isabella Street to Albany Lane, reconstruct Mount Prospect Road to Westgate Road, and reconstruct Mount Prospect Road from Central Road to Rand Road.

- 3. INSTRUCTIONS TO BIDDERS.** (a) This Notice, the invitation for bids, proposal and letter of award shall, together with all other documents in accordance with Article 101.09 of the Standard Specifications for Road and Bridge Construction, become part of the contract. Bidders are cautioned to read and examine carefully all documents, to make all required inspections, and to inquire or seek explanation of the same prior to submission of a bid.

(b) State law, and, if the work is to be paid wholly or in part with Federal-aid funds, Federal law requires the bidder to make various certifications as a part of the proposal and contract. By execution and submission of the proposal, the bidder makes the certification contained therein. A false or fraudulent certification shall, in addition to all other remedies provided by law, be a breach of contract and may result in termination of the contract.
- 4. AWARD CRITERIA AND REJECTION OF BIDS.** This contract will be awarded to the lowest responsive and responsible bidder considering conformity with the terms and conditions established by the Department in the rules, Invitation for Bids and contract documents. The issuance of plans and proposal forms for bidding based upon a prequalification rating shall not be the sole determinant of responsibility. The Department reserves the right to determine responsibility at the time of award, to reject any or all proposals, to re-advertise the proposed improvement, and to waive technicalities.

By Order of the
Illinois Department of Transportation

Omer Osman,
Secretary

INDEX
FOR
SUPPLEMENTAL SPECIFICATIONS
AND RECURRING SPECIAL PROVISIONS

Adopted January 1, 2022

This index contains a listing of SUPPLEMENTAL SPECIFICATIONS, frequently used RECURRING SPECIAL PROVISIONS, and LOCAL ROADS AND STREETS RECURRING SPECIAL PROVISIONS.

No ERRATA this year.

SUPPLEMENTAL SPECIFICATIONS

Std. Spec. Sec.

Page No.

No Supplemental Specifications this year.

RECURRING SPECIAL PROVISIONS

The following RECURRING SPECIAL PROVISIONS indicated by an "X" are applicable to this contract and are included by reference:

<u>CHECK SHEET #</u>		<u>PAGE NO.</u>
1	X Additional State Requirements for Federal-Aid Construction Contracts	1
2	X Subletting of Contracts (Federal-Aid Contracts)	4
3	X EEO	5
4	Specific EEO Responsibilities Non Federal-Aid Contracts	15
5	Required Provisions - State Contracts	20
6	Asbestos Bearing Pad Removal	26
7	Asbestos Waterproofing Membrane and Asbestos HMA Surface Removal	27
8	Temporary Stream Crossings and In-Stream Work Pads	28
9	X Construction Layout Stakes	29
10	Use of Geotextile Fabric for Railroad Crossing	32
11	Subsealing of Concrete Pavements	34
12	Hot-Mix Asphalt Surface Correction	38
13	X Pavement and Shoulder Resurfacing	40
14	Patching with Hot-Mix Asphalt Overlay Removal	41
15	Polymer Concrete	43
16	PVC Pipeliner	45
17	Bicycle Racks	46
18	Temporary Portable Bridge Traffic Signals	48
19	Nighttime Inspection of Roadway Lighting	50
20	English Substitution of Metric Bolts	51
21	Calcium Chloride Accelerator for Portland Cement Concrete	52
22	Quality Control of Concrete Mixtures at the Plant	53
23	X Quality Control/Quality Assurance of Concrete Mixtures	61
24	Digital Terrain Modeling for Earthwork Calculations	77
25	Preventive Maintenance – Bituminous Surface Treatment (A-1)	79
26	Temporary Raised Pavement Markers	85
27	Restoring Bridge Approach Pavements Using High-Density Foam	86
28	Portland Cement Concrete Inlay or Overlay	89
29	Portland Cement Concrete Partial Depth Hot-Mix Asphalt Patching	93
30	Longitudinal Joint and Crack Patching	96
31	Concrete Mix Design – Department Provided	98
32	Station Numbers in Pavements or Overlays	99

LOCAL ROADS AND STREETS RECURRING SPECIAL PROVISIONS

Table of Contents

<u>CHECK SHEET #</u>		<u>PAGE NO.</u>
LRS1	Reserved	101
LRS2	Furnished Excavation	102
LRS3	X Work Zone Traffic Control Surveillance	103
LRS4	Flaggers in Work Zones	104
LRS5	Contract Claims	105
LRS6	Bidding Requirements and Conditions for Contract Proposals	106
LRS7	Bidding Requirements and Conditions for Material Proposals	112
LRS8	Reserved	118
LRS9	Bituminous Surface Treatments	119
LRS10	Reserved	123
LRS11	Employment Practices	124
LRS12	Wages of Employees on Public Works	126
LRS13	Selection of Labor	128
LRS14	Paving Brick and Concrete Paver Pavements and Sidewalks	129
LRS15	Partial Payments	132
LRS16	Protests on Local Lettings	133
LRS17	Substance Abuse Prevention Program	134
LRS18	Multigrade Cold Mix Asphalt	135
LRS19	X Reflective Crack Control Treatment	136

TABLE OF CONTENTS

LOCATION OF IMPROVEMENT	1
DESCRIPTION OF IMPROVEMENT	1
MAINTENANCE OF ROADWAYS	2
STATUS OF UTILITIES (D-1)	3
PUBLIC CONVENIENCE AND SAFETY (DIST 1)	12
COARSE AGGREGATE FOR BACKFILL, TRENCH BACKFILL AND BEDDING (D1)	13
AGGREGATE SURFACE COURSE FOR TEMPORARY ACCESS	14
FRICTION AGGREGATE (D-1)	16
ADJUSTMENTS AND RECONSTRUCTIONS	21
DRAINAGE AND INLET PROTECTION UNDER TRAFFIC (D1)	22
TRAFFIC CONTROL AND PROTECTION (ARTERIALS) (D1)	24
TRAFFIC CONTROL PLAN	25
CONTRACTOR COORDINATION	26
KEEPING ARTERIAL ROADWAYS OPEN TO TRAFFIC (LANE CLOSURES ONLY)	27
TEMPORARY INFORMATION SIGNING	28
AVAILABLE REPORTS (D1 LR)	30
HOT-MIX ASPHALT – MIXTURE DESIGN VERIFICATION AND PRODUCTION (D1)	31
GROUND TIRE RUBBER (GTR) MODIFIED ASPHALT BINDER (D1)	33
REMOVAL AND DISPOSAL OF REGULATED SUBSTANCES (PROJECT SPECIFIC)	35
DETECTABLE WARNINGS	43
PORTLAND CEMENT CONCRETE SIDEWALK	44
HOT-MIX ASPHALT SURFACE REMOVAL	45
CLASS B PATCHES	46
TIE BARS 1 1/4"	47
STORM SEWER REMOVAL	48
FIRE HYDRANTS TO BE REMOVED	49
FIRE HYDRANT WITH AUXILIARY VALVE AND VALVE BOX	50
DOMESTIC WATER SERVICE BOXES TO BE ADJUSTED	51
PIPE UNDERDRAINS, TYPE 2, 4"	52
CHANGEABLE MESSAGE SIGN	53
CATCH BASINS, TYPE A	54
PROPOSED STORM SEWER CONNECTION TO EXISTING MANHOLE	55
RETAINING WALL REMOVAL	56
ADJUST MONITORING WELLS	57
CONCRETE LANDING SLAB	58
DRAINAGE CONTROL STRUCTURE	59
WASHOUT BASIN	60
BRICK SIDEWALK	61
BRICK SIDEWALK REMOVAL	65
CURB WALL (SPECIAL)	66
PORTLAND CEMENT CONCRETE BASE COURSE WIDENING 8 1/4"	67
TEMPORARY RAMP, SPECIAL	68
PORTLAND CEMENT CONCRETE SIDEWALK 8 INCH, SPECIAL	69
CONCRETE MEDIAN SURFACE REMOVAL	70
RAISED REFLECTIVE PAVEMENT MARKER, REFLECTOR REMOVAL	71
FOUNDATION REMOVAL	72
MANHOLES TO BE ADJUSTED (SPECIAL)	73
SANITARY MANHOLES TO BE ADJUSTED	74
FRAMES AND LIDS TO BE ADJUSTED (SPECIAL)	75
CONCRETE MEDIAN, TYPE SB (SPECIAL)	76
CONCRETE MEDIAN SURFACE, SPECIAL	77
MAILBOX REMOVAL AND REPLACEMENT	78
LOCATING UNDERGROUND UTILITY	79
HOT-MIX ASPHALT DRIVEWAY PAVEMENT	81
ADJUSTING WATER VALVE BOXES	82
RAISED PAVEMENT MARKER REFLECTOR REPLACEMENT	83
TEMPORARY PAVEMENT (VARIABLE DEPTH)	84

CONCRETE MEDIAN SURFACE, 4 INCH	85
SODDING, SALT TOLERANT (SPECIAL)	86
MAST ARM SIGN PANELS	88
RELOCATE EXISTING MASTER CONTROLLER	88
TRAFFIC SIGNAL GENERAL REQUIREMENTS	89
OPTIMIZE TRAFFIC SIGNAL SYSTEM	100
SERVICE INSTALLATION (TRAFFIC SIGNALS)	104
GROUNDING OF TRAFFIC SIGNAL SYSTEMS	108
COILABLE NON-METALLIC CONDUIT	110
UNDERGROUND RACEWAYS.....	111
ROD AND CLEAN EXISTING CONDUIT	112
HANDHOLES.....	113
HANDHOLES.....	115
CONDUIT SPLICE	116
FIBER OPTIC TRACER CABLE	117
MODIFY EXISTING CONTROLLER AND CABINET	118
MAINTENANCE OF EXISTING TRAFFIC SIGNAL AND FLASHING BEACON INSTALLATION	119
TRAFFIC SIGNAL PAINTING.....	122
FULL-ACTUATED CONTROLLER AND TYPE SUPER R CABINET (SPECIAL)	124
UNINTERRUPTABLE POWER SUPPLY, SPECIAL	130
FIBER OPTIC CABLE	135
ELECTRIC CABLE.....	136
EMERGENCY VEHICLE PRIORITY SYSTEM LINE SENSOR CABLE, NO. 20 3/C	138
TRAFFIC SIGNAL POST	139
PEDESTRIAN SIGNAL POST	140
MAST ARM ASSEMBLY AND POLE	142
CONCRETE FOUNDATIONS.....	143
CONCRETE FOUNDATION, PEDESTRIAN POST	144
LIGHT EMITTING DIODE (LED) SIGNAL HEAD AND OPTICALLY PROGRAMMED LED SIGNAL HEAD	145
LIGHT EMITTING DIODE (LED) PEDESTRIAN SIGNAL HEAD	149
TRAFFIC SIGNAL BACKPLATE.....	152
DETECTOR LOOP	153
DETECTOR LOOP REPLACEMENT AND/OR INSTALLATION (ROADWAY GRINDING, RESURFACING, & PATCHING OPERATIONS)	155
VIDEO VEHICLE DETECTION SYSTEM.....	159
EMERGENCY VEHICLE PRIORITY SYSTEM.....	161
TEMPORARY TRAFFIC SIGNAL INSTALLATION	162
TEMPORARY TRAFFIC SIGNAL TIMING	169
LED INTERNALLY ILLUMINATED STREET NAME SIGN	170
ILLUMINATED LED STREET NAME SIGN CABLE	174
REMOVE EXISTING TRAFFIC SIGNAL EQUIPMENT.....	175
REMOVE EXISTING DOUBLE HANDHOLE	176
UNDERGROUND RACEWAYS.....	177
COMBINATION LIGHTING CONTROLLER.....	178
GENERAL ELECTRICAL REQUIREMENTS.....	179
MAINTENANCE OF LIGHTING SYSTEMS.....	195
LUMINAIRE SAFETY CABLE ASSEMBLY	199
ROADWAY LUMINAIRE, LED.....	200
ELECTRIC UTILITY SERVICE CONNECTION (COMED)	219
ELECTRIC SERVICE INSTALLATION.....	220
WIRE AND CABLE	221
HANDHOLE, COMPOSITE CONCRETE (SPECIAL).....	223
HANDHOLE, COMPOSITE CONCRETE	224
LIGHT POLE FOUNDATION, 24" DIAMETER, OFFSET	225
LIGHT POLE, SPECIAL.....	226
LUMINAIRE, LED, SPECIAL	227
MAST ARM, STREET LIGHTING, 15'	228

MISCELLANEOUS ELECTRICAL WORK	229
RELOCATE EXISTING TRANSCEIVER	230
REMOVAL OF LIGHTING LUMINAIRE, SALVAGE	231
REMOVAL OF TEMPORARY LUMINAIRE	232
REMOVE JUNCTION BOX.....	233
REMOVE LUMINAIRE, COMPLETE	234
REMOVE TEMPORARY LIGHTING UNITS, NO SALVAGE	235
REMOVE TEMPORARY WOOD POLE	236
TEMPORARY WOOD POLE, 40 FT, CLASS 4.....	237
UNINTERRUPTABLE POWER SUPPLY, SPECIAL.....	238
IDOT TRAINING PROGRAM GRADUATE ON-THE-JOB TRAINING SPECIAL PROVISION.....	242
LR 107-4.....	244
LR 1030-2.....	245
SWPPP.....	247
IEPA LPC 663 (RAND ROAD & CENTRAL ROAD – IDOT JURISDICTION).....	254
IEPA LPC 663 (CENTRAL ROAD – MOUNT PROSPECT JURISDICTION).....	256
MWRDGC PERMIT.....	282

BDE SPECIAL PROVISIONS

The following special provisions indicated by an "X" are applicable to this contract. An * indicates a new or revised special provision for the letting.

<u>File Name</u>	<u>Pg.</u>		<u>Special Provision Title</u>	<u>Effective</u>	<u>Revised</u>
80099	295	X	Accessible Pedestrian Signals (APS)	April 1, 2003	Jan. 1, 2022
* 80274	297	X	Aggregate Subgrade Improvement	April 1, 2012	April 1, 2022
80192			Automated Flagger Assistance Device	Jan. 1, 2008	
80173	300	X	Bituminous Materials Cost Adjustments	Nov. 2, 2006	Aug. 1, 2017
80246			Bituminous Surface Treatment with Fog Seal	Jan. 1, 2020	Jan. 1, 2022
80436	302	X	Blended Finely Divided Minerals	April 1, 2021	
80241			Bridge Demolition Debris	July 1, 2009	
50261			Building Removal-Case I (Non-Friable and Friable Asbestos)	Sept. 1, 1990	April 1, 2010
50481			Building Removal-Case II (Non-Friable Asbestos)	Sept. 1, 1990	April 1, 2010
50491			Building Removal-Case III (Friable Asbestos)	Sept. 1, 1990	April 1, 2010
50531			Building Removal-Case IV (No Asbestos)	Sept. 1, 1990	April 1, 2010
80384	303	X	Compensable Delay Costs	June 2, 2017	April 1, 2019
80198			Completion Date (via calendar days)	April 1, 2008	
80199			Completion Date (via calendar days) Plus Working Days	April 1, 2008	
80293			Concrete Box Culverts with Skews > 30 Degrees and Design Fills ≤ 5 Feet	April 1, 2012	July 1, 2016
80311			Concrete End Sections for Pipe Culverts	Jan. 1, 2013	April 1, 2016
80261	307	X	Construction Air Quality – Diesel Retrofit	June 1, 2010	Nov. 1, 2014
80434			Corrugated Plastic Pipe (Culvert and Storm Sewer)	Jan. 1, 2021	
80029	310	X	Disadvantaged Business Enterprise Participation	Sept. 1, 2000	Mar. 2, 2019
80229			Fuel Cost Adjustment	April 1, 2009	Aug. 1, 2017
80433			Green Preformed Thermoplastic Pavement Markings	Jan. 1, 2021	Jan. 1, 2022
80422			High Tension Cable Median Barrier	Jan. 1, 2020	Jan. 1, 2022
* 80443			High Tension Cable Median Barrier Removal	April 1, 2022	
* 80444			Hot-Mix Asphalt – Patching	April 1, 2022	
80442			Hot-Mix Asphalt – Start of Production	Jan. 1, 2022	
80438			Illinois Works Apprenticeship Initiative – State Funded Contracts	June 2, 2021	Sept. 2, 2021
80411	320	X	Luminaires, LED	April 1, 2019	Jan. 1, 2022
80045			Material Transfer Device	June 15, 1999	Jan. 1, 2022
80418			Mechanically Stabilized Earth Retaining Walls	Nov. 1, 2019	Nov. 1, 2020
80430	329	X	Portland Cement Concrete – Haul Time	July 1, 2020	
34261			Railroad Protective Liability Insurance	Dec. 1, 1986	Jan. 1, 2022
80395			Sloped Metal End Section for Pipe Culverts	Jan. 1, 2018	
80340			Speed Display Trailer	April 2, 2014	Jan. 1, 2022
80127			Steel Cost Adjustment	April 2, 2014	Jan. 1, 2022
80397	330	X	Subcontractor and DBE Payment Reporting	April 2, 2018	
80391	331	X	Subcontractor Mobilization Payments	Nov. 2, 2017	April 1, 2019
80437			Submission of Payroll Records	April 1, 2021	
80435	332	X	Surface Testing of Pavements – IRI	Jan. 1, 2021	Jan. 1, 2022
80410			Traffic Spotters	Jan. 1, 2019	
20338	338	X	Training Special Provisions	Oct. 15, 1975	Sept. 2, 2021
80318			Traversable Pipe Grate for Concrete End Sections	Jan. 1, 2013	Jan. 1, 2018
80429			Ultra-Thin Bonded Wearing Course	April 1, 2020	Jan. 1, 2022
80440			Waterproofing Membrane System	Nov. 1, 2021	
80302	341	X	Weekly DBE Trucking Reports	June 2, 2012	Nov. 1, 2021
80427	342	X	Work Zone Traffic Control Devices	Mar. 2, 2020	
80071	344	X	Working Days	Jan. 1, 2002	

STATE OF ILLINOIS

SPECIAL PROVISIONS

The following Special Provisions supplement the specifications listed in the table below which apply to and govern the proposed improvement designated as Section 17-00166-00-CH, Contract Number 61H44 and in case of conflict with any part or parts of said specifications, the said Special Provisions shall take precedence and govern.

SPECIFICATION	ADOPTED/DATED
Standard Specifications for Road and Bridge Construction	January 1, 2022
Manual on Uniform Traffic Control Devices for Streets and Highways	2009 Edition with Revisions 1 and 2
Illinois Manual on Uniform Traffic Control Devices for Streets and Highways" (ILMUTCD)	Current Edition
Supplemental Specifications and Recurring Special Provisions (indicated on the Check Sheet included herein)	January 1, 2022
Manual of Test Procedure of Materials	Current
Standard Specifications for Water & Sewer Main Construction in Illinois	8 th Edition, 2020

LOCATION OF IMPROVEMENT

Rand Road is located in the Village of Mount Prospect and City of Des Plaines, and Central Road and Mount Prospect Road are located in the Village of Mount Prospect, Cook County. The improvement on Rand Road begins at Isabella Street and ends at Albany Lane. The improvement on Central Road begins at Mount Prospect Road and ends on Westgate Road. The improvement on Mount Prospect Road begins south of Central Road and ends at Rand Road. Total gross and net length are 6,267 feet (1.19 miles).

DESCRIPTION OF IMPROVEMENT

The work consists of PCC base course widening, HMA surface removal and replacement, median and island removal and replacement, sidewalk and multi-use path construction, complete modernization of three signalized intersections, partial modernization of one signalized intersection, one new traffic signal installation, drainage improvements, pavement markings, combination concrete curb and gutter removal and replacement, roadway lighting, and all incidental and collateral work necessary to complete the project as shown on the plans and as described herein.

Rand Road (FAP 334), Central Road (FAU 1300),
Mount Prospect Road (FAU 1300)
Village of Mount Prospect
Contract No. 61H44
Section No. 17-00166-00-CH
Cook County

MAINTENANCE OF ROADWAYS

Effective: September 30, 1985

Revised: November 1, 1996

Beginning on the date that work begins on this project, the Contractor shall assume responsibility for normal maintenance of all existing roadways within the limits of the improvement. This normal maintenance shall include all repair work deemed necessary by the Engineer but shall not include snow removal operations. Traffic control and protection for maintenance of roadways will be provided by the Contractor as required by the Engineer.

If items of work have not been provided in the contract, or otherwise specified for payment, such items, including the accompanying traffic control and protection required by the Engineer, will be paid for in accordance with Article 109.04 of the Standard Specifications.

STATUS OF UTILITIES (D-1)

Effective: June 1, 2016
 Revised: January 1, 2020

Utility companies and/or municipal owners located within the construction limits of this project have provided the following information regarding their facilities and the proposed improvements. The tables below contain a description of specific conflicts to be resolved and/or facilities which will require some action on the part of the Department’s contractor to proceed with work. Each table entry includes an identification of the action necessary and, if applicable, the estimated duration required for the resolution.

UTILITIES TO BE ADJUSTED

Conflicts noted below have been identified by following the suggested staging plan included in the contract. The company has been notified of all conflicts and will be required to obtain the necessary permits to complete their work; in some instances, resolution will be a function of the construction staging. The responsible agency must relocate, or complete new installations as noted below; this work has been deemed necessary to be complete for the Department’s contractor to then work in the stage under which the item has been listed.

Pre-Stage

STAGE / LOCATION	TYPE	DESCRIPTION	RESPONSIBLE AGENCY	DURATION OF TIME
166+47, 42' LT 166+55, 33' RT 167+25, 41' LT 167+86, 40' LT 168+52, 41' LT 171+32, 50' LT 172+45, 49' LT 173+69, 50' LT 175+08, 50' LT 177+12, 51' LT 178+09, 50' LT 221+34, 34' RT 223+03, 34' RT 225+19, 40' RT 230+20, 43' RT 232+09, 43' RT 234+49, 53' RT	Utility Poles	Conflict with Pavement Widening and Proposed Bike Path	ComEd	Relocate Poles – 60 Days

STAGE / LOCATION	TYPE	DESCRIPTION	RESPONSIBLE AGENCY	DURATION OF TIME
236+68, 38' RT 238+50, 34' RT 240+33, 39' RT 241+69, 40' RT 243+38, 39' RT 244+75, 44' RT 246+05, 54' LT 246+43, 56' RT 248+14, 43' RT 249+93, 49' RT 252+06, 49' RT 253+56, 48' RT 255+39, 47' RT 257+18, 47' RT 259+57, 46' RT 260+44, 46' RT				

Stage 1

No conflicts to be resolved

Stage 2

STAGE / LOCATION	TYPE	DESCRIPTION	RESPONSIBLE AGENCY	DURATION OF TIME
247+47, 58' LT	Gas Main	Conflict with Pavement Widening and Proposed Sidewalk	Nicor	Adjust Gas Main – 60 Days
239+96, 48' LT 250+77, 40' LT 251+13, 51' LT	Manhole Manhole Manhole Fiber Optic Marker	Conflict with Pavement Widening and Proposed Sidewalk	Zayo (Abovenet)	Adjust/Relocate – 90 Days
248+98, 48' LT 249+03, 48' LT 249+00, 48' LT 251+13, 50' LT	Handhole Handhole 5G Equipment Manhole	Conflict with Pavement Widening	MCI-Verizon	Adjust/Relocate – 90 Days

STAGE / LOCATION	TYPE	DESCRIPTION	RESPONSIBLE AGENCY	DURATION OF TIME
253+75, 61' LT	Monitoring Well	Conflict with Proposed Sidewalk	Others	Relocate Monitoring Well – 30 Days
171+31, 49' LT	Comcast Fiber Optic Line	Conflict with Proposed Sidewalk	Comcast	90 Days
249+82, 45' LT	Vault Handhole	Conflict with Pavement Widening	WOW	90 Days

Stage 3

STAGE / LOCATION	TYPE	DESCRIPTION	RESPONSIBLE AGENCY	DURATION OF TIME
166+45, 43' LT	Pedestal	Conflict with Pavement Widening	AT&T	Move Pedestal – 60 Days
173+25, 53' RT	Manholes	Conflict with Proposed Sidewalk	MCI-Verizon	Adjust MH – 30 Days
231+66, 41' RT	Fiber Optic Marker	Conflict with Proposed Sidewalk	Zayo (Abovenet)	Move Marker – 30 Days

Pre-Stage: 60 Days Total Installation
 Stage 1: 0 Days Total Installation
 Stage 2: 90 Days Total Installation
 Stage 3: 60 Days Total Installation

The following contact information is what was used during the preparation of the plans as provided by the Agency/Company responsible for resolution of the conflict.

Agency/Company Responsible to Resolve Conflict	Name of contact	Phone	E-mail address
AT&T (Distribution)	Jamel McGinnis		g05256@att.com
AT&T (Transmission Long Distance)	Ken Colwell	(630) 383- 9249	kc1298@att.com
AT&T (TCG) Teleport Communications	Bobby Akhter	(630) 390- 0089	ba3817@att.com
Comcast	Martha Gieras	(224) 229- 5862	martha_gieras@cable.comcast.com
ComEd	Lisa Argast	(630) 576- 7094	PlanSubmittalsandMapRequests@exeloncorp.com
City of Des Plaines	Tim Oakley	(847) 391- 5390	engineering@desplaines.org
MCI-Verizon Business	Bob Vezina	(847) 989- 3364	robert.vezina@g.verizon.com
MCI-Verizon Business	John B. Buher	(630) 675- 3794	john.buher@verizon.com

Rand Road (FAP 334), Central Road (FAU 1300),
 Mount Prospect Road (FAU 1300)
 Village of Mount Prospect
 Contract No. 61H44
 Section No. 17-00166-00-CH
 Cook County

Agency/Company Responsible to Resolve Conflict	Name of contact	Phone	E-mail address
Metropolitan Water Reclamation District	Joseph Schuessler	(630) 675-3794	Joseph.Schuessler@mwr.org
Nicor Gas	Charles "Chip" Parrott	(630) 388-3319	gasmaps@agresources.com
Vinakom Communications	Dicky Patel	(847) 592-5785	dicky.patel@vinakom.com
WOW Internet & Cable	Paul Flinkow	(630) 803-9660	Paul.Flinkow@wowinc.com
Zayo Fiber Solutions	Tim Payment	(630) 991-7258	timothy.payment@zayo.com

UTILITIES TO BE WATCHED AND PROTECTED

The areas of concern noted below have been identified by following the suggested staging plan included for the contract. The information provided is not a comprehensive list of all remaining utilities, but those which during coordination were identified as ones which might require the Department's contractor to take into consideration when making the determination of the means and methods that would be required to construct the proposed improvement. In some instances, the contractor will be responsible to notify the owner in advance of the work to take place so necessary staffing on the owner's part can be secured.

Pre-Stage

No Utilities Requiring Extra Consideration

Stage 1

No Utilities Requiring Extra Consideration

Stage 2

STAGE / LOCATION	TYPE	DESCRIPTION	OWNER
171+42, 57' LT 171+53, 52' LT 242+90, 3' LT 245+75, 44' LT 248+60, 8' LT 249+02, 47' LT	Fiber Optic Line	Traffic Signal Traffic Signal Light Pole Prop. CB Light Pole Prop. CB	MCI-Verizon
260+56, 33' LT	8" Gas Main	Prop. CB	Nicor Gas
244+80, 6' LT	Electric Line	Light Pole	ComEd
171+06, 59' LT	Cable TV	Traffic Signal	Comcast
245+99, 58' LT 246+48, 62' LT 247+16, 63' LT	Telephone Line	Traffic Signal Traffic Signal Traffic Signal	AT&T

Stage 3

STAGE / LOCATION	TYPE	DESCRIPTION	OWNER
166+57, 39' RT 167+71, 46' RT 168+60, 3' RT	Fiber Optic Line	Traffic Signal Traffic Signal Light Pole	MCI-Verizon

169+49, 48' LT 169+61, 46' LT 171+19, 58' RT 173+25, 53' RT 175+83, 49' RT 244+80, 3' RT 246+00, 3' RT 248+60, 4' RT	Fiber Optic Line	Traffic Signal Traffic Signal Traffic Signal Traffic Signal Traffic Signal Light Pole Light Pole Light Pole	
50+40, 52' LT 166+24, 45' LT 167+15, 45' LT 167+35, 38' LT 169+75, 41' RT 171+26, 75' RT 176+33, 42' RT 253+71, 4' RT	8" Gas Main	Prop. CB Traffic Signal Traffic Signal Traffic Signal Prop. CB Traffic Signal Traffic Signal Light Pole	Nicor Gas
50+40, 52' LT 169+75, 41' RT 239+00, 3' RT	Water Main	Prop. CB Prop. CB Light Pole	Village of Mount Prospect

The following contact information is what was used during the preparation of the plans as provided by the owner of the facility.

Agency/Company Responsible to Resolve Conflict	Name of contact	Phone	E-mail address
AT&T (Distribution)	Jamel McGinnis		g05256@att.com
AT&T (Transmission Long Distance)	Ken Colwell	(630) 383- 9249	kc1298@att.com
AT&T (TCG) Teleport Communications	Bobby Akhter	(630) 390- 0089	ba3817@att.com
Comcast	Martha Gieras	(224) 229- 5862	martha_gieras@cable.comcast.com

Agency/Company Responsible to Resolve Conflict	Name of contact	Phone	E-mail address
ComEd	Lisa Argast	(630) 576-7094	: PlanSubmittalsandMapRequests@exeloncorp.com
City of Des Plaines	Tim Oakley	(847) 391-5390	engineering@desplaines.org
MCI-Verizon Business	Bob Vezina	(847) 989-3364	robert.vezina@g.verizon.com
MCI-Verizon Business	John B. Buher	(630) 675-3794	john.buher@verizon.com
Metropolitan Water Reclamation District	Joseph Schuessler	(312) 751-3236	Joseph.Schuessler@mwrdd.org
Nicor Gas	Charles "Chip" Parrott	(630) 388-3319	gasmaps@agresources.com
Vinakom Communications	Dicky Patel	(847) 592-5785	dicky.patel@vinakom.com
WOW Internet & Cable	Paul Flinkow	(630) 803-9660	Paul.Flinkow@wowinc.com
Zayo Fiber Solutions	Tim Payment	(630) 991-7258	timothy.payment@zayo.com

The following contact information is what was used during the preparation of the plans as provided by the owner of the facility.

The above represents the best information available to the Department and is included for the convenience of the bidder. The days required for conflict resolution should be considered in the bid as this information has also been factored into the timeline identified for the project when setting the completion date. The applicable portions of the Standard Specifications for Road and Bridge Construction shall apply.

Estimated duration of time provided above for the first conflicts identified will begin on the date of the executed contract regardless of the status of the utility relocations. The responsible agencies will be working toward resolving subsequent conflicts in conjunction with contractor activities in the number of days noted.

The estimated relocation duration must be part of the progress schedule submitted by the contractor. A utility kickoff meeting will be scheduled between the Department, the Department's contractor and the utility companies when necessary. The Department's contractor is responsible for contacting J.U.L.I.E. prior to all excavation work.

PUBLIC CONVENIENCE AND SAFETY (DIST 1)

Effective: May 1, 2012

Revised: July 15, 2012

Add the following to the end of the fourth paragraph of Article 107.09:

“If the holiday is on a Saturday or Sunday, and is legally observed on a Friday or Monday, the length of Holiday Period for Monday or Friday shall apply.”

Add the following sentence after the Holiday Period table in the fourth paragraph of Article 107.09:

“The Length of Holiday Period for Thanksgiving shall be from 5:00 AM the Wednesday prior to 11:59 PM the Sunday After”

Delete the fifth paragraph of Article 107.09 of the Standard Specifications:

“On weekends, excluding holidays, roadways with Average Daily Traffic of 25,000 or greater, all lanes shall be open to traffic from 3:00 P.M. Friday to midnight Sunday except where structure construction or major rehabilitation makes it impractical.”

COARSE AGGREGATE FOR BACKFILL, TRENCH BACKFILL AND BEDDING (D1)

Effective: November 1, 2011

Revised: November 1, 2013

This work shall be according to Section 1004.05 of the Standard Specifications except for the following:

Reclaimed Asphalt Pavement (RAP) maybe blended with gravel, crushed gravel, crushed stone crushed concrete, crushed slag, chats, crushed sandstone or wet bottom boiler slag. The RAP used shall be according to the current Bureau of Materials and Physical Research Policy Memorandum, "Reclaimed Asphalt Pavement (RAP) for Aggregate Applications". The RAP shall be uniformly graded and shall pass the 1.0 in. (25 mm) screen. When RAP is blended with any of the coarse aggregate listed above, the blending shall be done mechanically with calibrated feeders. The feeders shall have an accuracy of ± 2.0 percent of the actual quantity of material delivered. The final blended product shall not contain more than 40 percent by weight RAP.

The coarse aggregate listed above shall meet CA 6 and CA 10 gradations prior to being blended with the processed and uniformly graded RAP. Gradation deleterious count shall not exceed 10% of total RAP and 5% of other by total weight.

AGGREGATE SURFACE COURSE FOR TEMPORARY ACCESS

Revise Article 402.10 of the Standard Specifications to read:

“402.10 For Temporary Access. The contractor shall construct and maintain aggregate surface course for temporary access to private entrances, commercial entrances and roads according to Article 402.07 and as directed by the Engineer.

The aggregate surface course shall be constructed to the dimensions and grades specified below, except as modified by the plans or as directed by the Engineer.

- (a) Private Entrance. The minimum width shall be 12 ft (3.6 m). The minimum compacted thickness shall be 6 in. (150 mm). The maximum grade shall be eight percent, except as required to match the existing grade.
- (b) Commercial Entrance. The minimum width shall be 24 ft (7.2 m). The minimum compacted thickness shall be 9 in. (230 mm). The maximum grade shall be six percent, except as required to match the existing grade.
- (c) Road. The minimum width shall be 24 ft (7.2 m). The minimum compacted thickness shall be 9 in. (230 mm). The grade and elevation shall be the same as the removed pavement, except as required to meet the grade of any new pavement constructed.

Maintaining the temporary access shall include relocating and/or regrading the aggregate surface course for any operation that may disturb or remove the temporary access. The same type and gradation of material used to construct the temporary access shall be used to maintain it.

When use of the temporary access is discontinued, the aggregate shall be removed and utilized in the permanent construction or disposed of according to Article 202.03.”

Add the following to Article 402.12 of the Standard Specifications:

“Aggregate surface course for temporary access will be measured for payment as each for every private entrance, commercial entrance or road constructed for the purpose of temporary access. If a residential drive, commercial entrance, or road is to be constructed under multiple stages, the aggregate needed to construct the second or subsequent stages will not be measured for payment but shall be included in the cost per each of the type specified.”

Revise the second paragraph of Article 402.13 of the Standard Specifications to read:

“Aggregate surface course for temporary access will be paid for at the contract unit price per each for TEMPORARY ACCESS (PRIVATE ENTRANCE), TEMPORARY ACCESS (COMMERCIAL ENTRANCE) or TEMPORARY ACCESS (ROAD).

Partial payment of the amount bid for temporary access, of the type specified, will be paid according to the following schedule:

- (a) Upon construction of the temporary access, sixty percent of the contract unit price per each, of the type constructed, will be paid.
- (b) Subject to the approval of the Engineer for the adequate maintenance and removal of the temporary access, the remaining forty percent of the pay item will be paid upon the permanent removal of the temporary access.”

FRICITION AGGREGATE (D-1)

Effective: January 1, 2011
 Revised: December 1, 2021

Revise Article 1004.03(a) of the Standard Specifications to read:

“1004.03 Coarse Aggregate for Hot-Mix Asphalt (HMA). The aggregate shall be according to Article 1004.01 and the following.

(a) Description. The coarse aggregate for HMA shall be according to the following table.

Use	Mixture	Aggregates Allowed
Class A	Seal or Cover	<u>Allowed Alone or in Combination</u> ^{5/} : Gravel Crushed Gravel Carbonate Crushed Stone Crystalline Crushed Stone Crushed Sandstone Crushed Slag (ACBF) Crushed Steel Slag Crushed Concrete
HMA Low ESAL	Stabilized Subbase or Shoulders	<u>Allowed Alone or in Combination</u> ^{5/} : Gravel Crushed Gravel Carbonate Crushed Stone Crystalline Crushed Stone Crushed Sandstone Crushed Slag (ACBF) Crushed Steel Slag ^{1/} Crushed Concrete
HMA High ESAL Low ESAL	Binder IL-19.0 or IL-19.0L SMA Binder	<u>Allowed Alone or in Combination</u> ^{5/ 6/} : Crushed Gravel Carbonate Crushed Stone ^{2/} Crystalline Crushed Stone Crushed Sandstone Crushed Slag (ACBF) Crushed Concrete ^{3/}

Use	Mixture	Aggregates Allowed	
HMA High ESAL Low ESAL	C Surface and Binder IL-9.5 IL-9.5FG or IL-9.5L	<u>Allowed Alone or in Combination</u> ^{5/} : Crushed Gravel Carbonate Crushed Stone ^{2/} Crystalline Crushed Stone Crushed Sandstone Crushed Slag (ACBF) Crushed Steel Slag ^{4/} Crushed Concrete ^{3/}	
HMA High ESAL	D Surface and Binder IL-9.5 or IL-9.5FG	<u>Allowed Alone or in Combination</u> ^{5/} : Crushed Gravel Carbonate Crushed Stone (other than Limestone) ^{2/} Crystalline Crushed Stone Crushed Sandstone Crushed Slag (ACBF) Crushed Steel Slag ^{4/}	
		<u>Other Combinations Allowed:</u>	
		<i>Up to...</i>	<i>With...</i>
		25% Limestone	Dolomite
		50% Limestone	Any Mixture D aggregate other than Dolomite
75% Limestone	Crushed Slag (ACBF) or Crushed Sandstone		
HMA High ESAL	E Surface IL-9.5 SMA Ndesign 80 Surface	<u>Allowed Alone or in Combination</u> ^{5/ 6/} : Crushed Gravel Crystalline Crushed Stone Crushed Sandstone Crushed Slag (ACBF) Crushed Steel Slag No Limestone.	
		<u>Other Combinations Allowed:</u>	
<i>Up to...</i>	<i>With...</i>		

Use	Mixture	Aggregates Allowed	
		50% Dolomite ^{2/}	Any Mixture E aggregate
		75% Dolomite ^{2/}	Crushed Sandstone, Crushed Slag (ACBF), Crushed Steel Slag, or Crystalline Crushed Stone
		75% Crushed Gravel ^{2/}	Crushed Sandstone, Crystalline Crushed Stone, Crushed Slag (ACBF), or Crushed Steel Slag
HMA High ESAL	F Surface IL-9.5 SMA Ndesign 80 Surface	<u>Allowed Alone or in Combination</u> ^{5/ 6/} : Crystalline Crushed Stone Crushed Sandstone Crushed Slag (ACBF) Crushed Steel Slag No Limestone.	
		<u>Other Combinations Allowed:</u>	
		<i>Up to...</i>	<i>With...</i>
		50% Crushed Gravel ^{2/} or Dolomite ^{2/}	Crushed Sandstone, Crushed Slag (ACBF), Crushed Steel Slag, or Crystalline Crushed Stone

- 1/ Crushed steel slag allowed in shoulder surface only.
- 2/ Carbonate crushed stone (limestone) and/or crushed gravel shall not be used in SMA Ndesign 80.
- 3/ Crushed concrete will not be permitted in SMA mixes.
- 4/ Crushed steel slag shall not be used as binder.
- 5/ When combinations of aggregates are used, the blend percent measurements shall be by volume.”
- 6/ Combining different types of aggregate will not be permitted in SMA Ndesign 80.”

Rand Road (FAP 334), Central Road (FAU 1300),
Mount Prospect Road (FAU 1300)
Village of Mount Prospect
Contract No. 61H44
Section No. 17-00166-00-CH
Cook County

THIS PAGE INTENTIONALLY LEFT BLANK

Rand Road (FAP 334), Central Road (FAU 1300),
Mount Prospect Road (FAU 1300)
Village of Mount Prospect
Contract No. 61H44
Section No. 17-00166-00-CH
Cook County

THIS PAGE INTENTIONALLY LEFT BLANK

ADJUSTMENTS AND RECONSTRUCTIONS

Effective: March 15, 2011

Revise the first paragraph of Article 602.04 to read:

“602.04 Concrete. Cast-in-place concrete for structures shall be constructed of Class SI concrete according to the applicable portions of Section 503. Cast-in-place concrete for pavement patching around adjustments and reconstructions shall be constructed of Class PP-1 concrete, unless otherwise noted in the plans, according to the applicable portions of Section 1020.”

Revise the third, fourth and fifth sentences of the second paragraph of Article 602.11(c) to read:

“Castings shall be set to the finished pavement elevation so that no subsequent adjustment will be necessary, and the space around the casting shall be filled with Class PP-1 concrete, unless otherwise noted in the plans, to the elevation of the surface of the base course or binder course. HMA surface or binder course material shall not be allowed. The pavement may be opened to traffic according to Article 701.17(e)(3)b.”

Revise Article 603.05 to read:

“603.05 Replacement of Existing Flexible Pavement. After the castings have been adjusted, the surrounding space shall be filled with Class PP-1 concrete, unless otherwise noted in the plans, to the elevation of the surface of the base course or binder course. HMA surface or binder course material shall not be allowed. The pavement may be opened to traffic according to Article 701.17(e)(3)b.”

Revise Article 603.06 to read:

“603.06 Replacement of Existing Rigid Pavement. After the castings have been adjusted, the pavement and HMA that was removed, shall be replaced with Class PP-1 concrete, unless otherwise noted in the plans, not less than 9 in. (225 mm) thick. The pavement may be opened to traffic according to Article 701.17(e)(3)b.

The surface of the Class PP concrete shall be constructed flush with the adjacent surface.”

Revise the first sentence of Article 603.07 to read:

“603.07 Protection Under Traffic. After the casting has been adjusted and the Class PP concrete has been placed, the work shall be protected by a barricade and two lights according to Article 701.17(e)(3)b.”

DRAINAGE AND INLET PROTECTION UNDER TRAFFIC (D1)

Effective: April 1, 2011
 Revised: April 2, 2011

Add the following to Article 603.02 of the Standard Specifications:

- “(i) Temporary Hot-Mix Asphalt (HMA) Ramp (Note 1) 1030
- “(j) Temporary Rubber Ramps (Note 2)

Note 1. The HMA shall have maximum aggregate size of 3/8 in. (95 mm).

Note 2. The rubber material shall be according to the following.

Property	Test Method	Requirement
Durometer Hardness, Shore A	ASTM D 2240	75 ±15
Tensile Strength, psi (kPa)	ASTM D 412	300 (2000) min
Elongation, percent	ASTM D 412	90 min
Specific Gravity	ASTM D 792	1.0 - 1.3
Brittleness, °F (°C)	ASTM D 746	-40 (-40)°

Revise Article 603.07 of the Standard Specifications to read:

“603.07 Protection Under Traffic. After the casting has been adjusted and the Class PP concrete has been placed, the work shall be protected by a barricade and two lights according to Article 701.17(e)(3)b.

When castings are under traffic before the final surfacing operation has been started, properly sized temporary ramps shall be placed around the drainage and/or utility castings according to the following methods.

- (a) Temporary Asphalt Ramps. Temporary hot-mix asphalt ramps shall be placed around the casting, flush with its surface and decreasing to a featheredge in a distance of 2 ft (600 mm) around the entire surface of the casting.
- (b) Temporary Rubber Ramps. Temporary rubber ramps shall only be used on roadways with permanent posted speeds of 40 mph or less and when the height of the casting to be protected meets the proper sizing requirements for the rubber ramps as shown below.

Dimension	Requirement
Inside Opening	Outside dimensions of casting + 1 in. (25 mm)
Thickness at inside edge	Height of casting \pm 1/4 in. (6 mm)
Thickness at outside edge	1/4 in. (6 mm) max.
Width, measured from inside opening to outside edge	8 1/2 in. (215 mm) min

Placement shall be according to the manufacturer's specifications.

Temporary ramps for castings shall remain in place until surfacing operations are undertaken within the immediate area of the structure. Prior to placing the surface course, the temporary ramp shall be removed. Excess material shall be disposed of according to Article 202.03."

TRAFFIC CONTROL AND PROTECTION (ARTERIALS) (D1)

Effective: February 1, 1996

Revised: March 1, 2011

Specific traffic control plan details and Special Provisions have been prepared for this contract. This work shall include all labor, materials, transportation, handling and incidental work necessary to furnish, install, maintain and remove all traffic control devices required as indicated in the plans and as approved by the Engineer.

When traffic is to be directed over a detour route, the Contractor shall furnish, erect, maintain and remove all applicable traffic control devices along the detour route according to the details shown in the plans.

Method of Measurement: All traffic control (except "Traffic Control and Protection (Expressways)" and temporary pavement markings) indicated on the traffic control plan details and specified in the Special Provisions will be measured for payment on a lump sum basis.

Basis of Payment: All traffic control and protection will be paid for at the contract lump sum price for TRAFFIC CONTROL AND PROTECTION (SPECIAL).

Temporary pavement markings will be paid for separately unless shown on a Standard.

TRAFFIC CONTROL PLAN

Effective: September 30, 1985

Revised: January 1, 2007

Traffic Control shall be according to the applicable sections of the Standard Specifications, the Supplemental Specifications, the "Illinois Manual on Uniform Traffic Control Devices for Streets and Highways", any special details and Highway Standards contained in the plans, and the Special Provisions contained herein.

Special attention is called to Article 107.09 of the Standard Specifications and the following Highway Standards, Details, Quality Standard for Work Zone Traffic Control Devices, Recurring Special Provisions and Special Provisions contained herein, relating to traffic control.

The Contractor shall contact the District One Bureau of Traffic at least 72 hours in advance of beginning work.

STANDARDS: 701006-05, 701101-05, 701427-05, 701601-09, 701602-10, 701606-10, 701611-01, 701701-10, 701801-06, 701901-08

DETAILS:

TC-10 – TRAFFIC CONTROL AND PROTECTION FOR SIDE ROADS, INTERSECTIONS AND DRIVEWAYS)

TC-11 – TYPICAL APPLICATIONS RAISED REFLECTIVE PAVEMENT MARKERS (SNOW-PLOW RESISTANT)

TC-13 – DISTRICT ONE TYPICAL PAVEMENT MARKINGS

TC-14 – TRAFFIC CONTROL AND PROTECTION AT TURN BAYS (TO REMAIN OPEN TO TRAFFIC)

TC-22 – ARTERIAL ROAD INFORMATION SIGN

SPECIAL PROVISIONS:

KEEPING ARTERIAL ROADWAYS OPEN TO TRAFFIC (LANE CLOSURES ONLY)

MAINTENANCE OF ROADWAYS

PUBLIC CONVENIENCE AND SAFETY (D1)

TEMPORARY INFORMATION SIGNING (D1)

WORK ZONE TRAFFIC CONTROL DEVICES (BDE)

CONTRACTOR COORDINATION

The Contractor shall take note of Article 105.08 of the Standard Specifications. Improvements are proposed for US Route 12 (Rand Road) at Isabella Street and will require the Contractor, on this project, to work simultaneously with Contractors on other adjacent projects. Adjacent projects will consist of any or all of the following:

- MWRD Drop Shaft Modifications & Collections Project, Intersection of US Route 12 (Rand Road) and Isabella Street (IDOT Traffic Permit Ref# 016-85661).

The adjacent project will require coordination between Contractors on work activities, staging, and sequence. Coordination performed by the Contractor for the purposes of completing this work shall be considered included in the cost of the project.

KEEPING ARTERIAL ROADWAYS OPEN TO TRAFFIC (LANE CLOSURES ONLY)

Effective: January 22, 2003

Revised: August 10, 2017

The Contractor shall provide the necessary traffic control devices to warn the public and to delineate the work zone as required in these Special Provisions, the Standard Specifications, the State Standards, and the District Details.

Arterial lane closures shall be in accordance with the Standard Specifications, Highway Standards, District Details, and the direction of the Engineer. The Contractor shall request and gain approval from the Engineer seventy-two (72) hours in advance of all long-term (24 hrs. or longer) lane closures.

Arterial lane closures not shown in the staging plans will not be permitted during **peak traffic volume hours**.

Peak traffic volumes hours are defined as weekdays (Monday through Friday) from **6:00 AM to 8:30 AM and 4:30 PM to 6:00 PM**.

Private vehicles shall not be parked in the work zone. Contractor's equipment and/or vehicles shall not be parked on the shoulders or in the median during non-working hours. The parking of equipment and/or vehicles on State right-of-way will only be permitted at locations approved by the Engineer in accordance with Articles 701.08 and 701.11 of the Standard Specifications.

Should the Contractor fail to completely open and keep open all the traffic lanes to traffic in accordance with the limitations specified above, the Contractor shall be liable to the Department for the amount of:

One lane or ramp blocked = \$ 1,000

Two lanes blocked = \$ 2,500

Not as a penalty but as liquidated and ascertained damages for each and every 15 minute interval or a portion thereof that a lane is blocked outside the allowable time limitations. Such damages may be deducted by the Department from any monies due the Contractor. These damages shall apply during the contract time and during any extensions of the contract time.

TEMPORARY INFORMATION SIGNING

Effective: November 13, 1996

Revised: January 29, 2020

Description.

This work shall consist of furnishing, installing, maintaining, relocating for various states of construction and eventually removing temporary informational signs. Included in this item may be ground mount signs, skid mount signs, truss mount signs, bridge mount signs, and overlay sign panels which cover portions of existing signs.

Materials.

Materials shall be according to the following Articles of Section 1000 - Materials:

	<u>Item</u>	<u>Article/Section</u>
a.)	Sign Base (Note 1)	1090
b.)	Sign Face (Note 2)	1091
c.)	Sign Legends	1091
d.)	Sign Supports	1093
e.)	Overlay Panels (Note 3)	1090.02

Note 1. The Contractor may use 5/8 inch (16 mm) instead of 3/4 inch (19 mm) thick plywood.

Note 2. The sign face material shall be in accordance with the Department's Fabrication of Highway Signs Policy.

Note 3. The overlay panels shall be 0.08 inch (2 mm) thick.

GENERAL CONSTRUCTION REQUIREMENTS

Installation.

The sign sizes and legend sizes shall be verified by the Contractor prior to fabrication.

Signs which are placed along the roadway and/or within the construction zone shall be installed according to the requirements of Article 701.14 and Article 720.04. The signs shall be 7 ft (2.1 m) above the near edge of the pavement and shall be a minimum of 2 ft (600 mm) beyond the edge of the paved shoulder. A minimum of two (2) posts shall be used.

The attachment of temporary signs to existing bridges, sign structures or sign panels shall be approved by the Engineer. Any damage to the existing signs and/or structures due to the Contractor's operations shall be repaired or signs replaced, as determined by the Engineer, at the Contractor's expense.

Method of Measurement.

This work shall be measured for payment in square feet (square meters) edge to edge (horizontally and vertically).

Rand Road (FAP 334), Central Road (FAU 1300),
Mount Prospect Road (FAU 1300)
Village of Mount Prospect
Contract No. 61H44
Section No. 17-00166-00-CH
Cook County

All hardware, posts or skids, supports, bases for ground mounted signs, connections, which are required for mounting these signs will be included as part of this pay item.

Basis Of Payment.

This work shall be paid for at the contract unit price per square foot (square meter) for TEMPORARY INFORMATION SIGNING.

AVAILABLE REPORTS (D1 LR)

Effective: July 1, 2021

No project specific reports were prepared.

When applicable, the following checked reports and record information is available for Bidders' reference upon request:

- Record structural plans
- Preliminary Site Investigation (PSI) (IDOT ROW)
- Preliminary Site Investigation (PSI) (Local ROW)
- Preliminary Environmental Site Assessment (PESA) (IDOT ROW)
- Preliminary Environmental Site Assessment (PESA) (Local ROW)
- Soils/Geotechnical Report
- Boring Logs
- Pavement Cores
- Location Drainage Study (LDS)
- Hydraulic Report
- Noise Analysis
- Other: _____

Those seeking these reports should request access from:

Stephen Sugg
Christopher B. Burke Engineering, Ltd.
9575 W. Higgins Road, Suite 600
Rosemont, IL 60018
(847) 823-0500
ssugg@cbbel.com

HOT-MIX ASPHALT – MIXTURE DESIGN VERIFICATION AND PRODUCTION (D1)

Effective: January 1, 2019
 Revised: December 1, 2021

Add to Article 1030.05 (d)(3) of the Standard Specifications to read:

“ During mixture design, prepared samples shall be submitted to the District laboratory by the Contractor for verification testing. The required testing, and number and size of prepared samples submitted, shall be according to the following tables.

High ESAL – Required Samples for Verification Testing	
Mixture	Hamburg Wheel and I-FIT Testing ^{1/2/}
Binder	total of 3 - 160 mm tall bricks
Surface	total of 4 - 160 mm tall bricks

Low ESAL – Required Samples for Verification Testing	
Mixture	I-FIT Testing ^{1/2/}
Binder	1 - 160 mm tall brick
Surface	2 - 160 mm tall bricks

- 1/ The compacted gyratory bricks for Hamburg wheel and I-FIT testing shall be 7.5 ± 0.5 percent air voids.
- 2/ If the Contractor does not possess the equipment to prepare the 160 mm tall brick(s), twice as many 115 mm tall compacted gyratory bricks will be acceptable.

Revise the fourth paragraph of Article 1030.10 of the Standard Specifications to read:

“When a test strip is not required, each HMA mixture shall still be sampled on the first day of production: I-FIT and Hamburg wheel testing for High ESAL; I-FIT testing for Low ESAL. Within two working days after sampling the mixture, the Contractor shall deliver gyratory cylinders to the District laboratory for Department verification testing. The High ESAL mixture test results shall meet the requirements of Articles 1030.05(d)(3) and 1030.05(d)(4). The Low ESAL mixture test results shall meet the requirements of Article 1030.05(d)(4). The required number and size of prepared samples submitted for the Hamburg wheel and I-FIT testing shall be according to the “High ESAL - Required Samples for Verification Testing” table in Article 1030.05(d)(3) above.”

Add the following to the end of Article 1030.10 of the Standard Specifications to read:

Rand Road (FAP 334), Central Road (FAU 1300),
Mount Prospect Road (FAU 1300)
Village of Mount Prospect
Contract No. 61H44
Section No. 17-00166-00-CH
Cook County

“Mixture sampled during first day of production shall include approximately 60 lb (27 kg) of additional material for the Department to conduct Hamburg wheel testing and approximately 80 lb (36 kg) of additional material for the Department to conduct I-FIT testing. Within two working days after sampling, the Contractor shall deliver prepared samples to the District laboratory for verification testing. The required number and size of prepared samples submitted for the Hamburg wheel and I-FIT testing shall be according to the “High ESAL - Required Samples for Verification Testing” table in Article 1030.05(d)(3) above.”

GROUND TIRE RUBBER (GTR) MODIFIED ASPHALT BINDER (D1)

Effective: June 26, 2006

Revised: December 1, 2021

Add the following to the end of article 1032.05 of the Standard Specifications:

“(c) Ground Tire Rubber (GTR) Modified Asphalt Binder. A quantity of 10.0 to 14.0 percent GTR (Note 1) shall be blended by dry unit weight with a PG 64-28 to make a GTR 70-28 or a PG 58-28 to make a GTR 64-28. The base PG 64-28 and PG 58-28 asphalt binders shall meet the requirements of Article 1032.05(a). Compatible polymers may be added during production. The GTR modified asphalt binder shall meet the requirements of the following table.

Test	Asphalt Grade GTR 70-28	Asphalt Grade GTR 64-28
Flash Point (C.O.C.), AASHTO T 48, °F (°C), min.	450 (232)	450 (232)
Rotational Viscosity, AASHTO T 316 @ 275 °F (135 °C), Poises, Pa·s, max.	30 (3)	30 (3)
Softening Point, AASHTO T 53, °F (°C), min.	135 (57)	130 (54)
Elastic Recovery, ASTM D 6084, Procedure A (sieve waived) @ 77 °F, (25 °C), aged, ss, 100 mm elongation, 5 cm/min., cut immediately, %, min.	65	65

Note 1. GTR shall be produced from processing automobile and/or light truck tires by the ambient grinding method. GTR shall not exceed 1/16 in. (2 mm) in any dimension and shall contain no free metal particles or other materials. A mineral powder (such as talc) meeting the requirements of AASHTO M 17 may be added, up to a maximum of four percent by weight of GTR to reduce sticking and caking of the GTR particles. When tested in accordance with Illinois modified AASHTO T 27, a 50 g sample of the GTR shall conform to the following gradation requirements:

Sieve Size	Percent Passing
No. 16 (1.18 mm)	100
No. 30 (600 μm)	95 ± 5
No. 50 (300 μm)	> 20

Add the following to the end of Note 1. of article 1030.03 of the Standard Specifications:

“A dedicated storage tank for the Ground Tire Rubber (GTR) modified asphalt binder shall be provided. This tank must be capable of providing continuous mechanical mixing throughout by continuous agitation and recirculation of the asphalt binder to provide a uniform mixture. The tank shall be heated and capable of maintaining the temperature of the asphalt binder at 300 °F to 350 °F (149 °C to 177 °C). The asphalt binder metering systems of dryer drum plants shall be calibrated with the actual GTR modified asphalt binder material with an accuracy of ± 0.40 percent.”

REMOVAL AND DISPOSAL OF REGULATED SUBSTANCES (PROJECT SPECIFIC)

Description. This work shall consist of the removal and disposal of regulated substances according to Section 669 of the Standard Specifications as revised below.

Contract Specific Sites. The excavated soil and groundwater within the areas listed below shall be managed as either “uncontaminated soil”, hazardous waste, special waste, or non-special waste. For stationing, the lateral distance is measured from centerline and the farthest distance is the offset distance or construction limit, whichever is less.

Soil Disposal Analysis. When the waste material requires sampling for landfill disposal acceptance, the Contractor shall secure a written list of the specific analytical parameters and analytical methods required by the landfill. The Contractor shall collect and analyze the required number of samples for the parameters required by the landfill using the appropriate analytical procedures. A copy of the required parameters and analytical methods (from landfill email or on landfill letterhead) shall be provided as Attachment 4A of the BDE 2733 (Regulated Substances Final Construction Report). The price shall include all sampling materials and effort necessary for collection and management of the samples, including transportation of samples from the job site to the laboratory. The Contractor shall be responsible for determining the specific disposal facilities to be utilized; and collect and analyze any samples required for disposal facility acceptance using a NELAP certified analytical laboratory registered with the State of Illinois.

Site 3510-2: Residences, 222-226 N. Louis Street and 301 N. William Street, Mount Prospect, Cook County

- Station 220+65 to Station 221+50 (CL US 12/Rand Road), 0 to 40 feet RT. The Engineer has determined this material meets the criteria of and shall be managed in accordance with Article 669.05(a)(4). Contaminants of concern sampling parameters: Benzo(a)pyrene, and Dibenzo(a,h)anthracene.
- Station 221+50 to Station 222+50 (CL US 12/Rand Road), 0 to 40 feet RT. The Engineer has determined this material meets the criteria of and shall be managed in accordance with Article 669.05(b)(1).
- Station 223+50 to Station 224+50 (CL US 12/Rand Road), 0 to 45 feet RT. The Engineer has determined this material meets the criteria of and shall be managed in accordance with Article 669.05(a)(3). Contaminants of concern sampling parameters: Benzo(a)pyrene, and Dibenzo(a,h)anthracene.

Site 3510-3: Menards, 740 E. Rand Road, Mount Prospect, Cook County

- Station 223+70 to Station 227+55 (CL US 12/Rand Road), 0 to 55 feet LT. The Engineer has determined this material meets the criteria of and shall be managed in accordance with Article 669.05(a)(1). Contaminants of concern sampling parameter: Benzo(a)pyrene.

Site 3510-4: Louis Anthony Salon and Day Spa, 705 E. Rand Road, Mount Prospect, Cook County

- Station 224+50 to Station 225+50 (CL US 12/Rand Road), 0 to 45 feet RT. The Engineer has determined this material meets the criteria of and shall be managed in accordance with Article 669.05(b)(1).
- Station 226+45 to Station 227+50 (CL US 12/Rand Road), 0 to 45 feet RT. The Engineer has determined this material meets the criteria of and shall be managed in accordance with Article 669.05(a)(3). Contaminants of concern sampling parameter: Benzo(a)pyrene, Dibenzo(a,h)anthracene, and Arsenic.

Site 3510-6: Commercial building, 820 E. Rand Road, Mount Prospect, Cook County

- Station 227+55 to Station 230+00 (CL US 12/Rand Road), 0 to 55 feet LT. The Engineer has determined this material meets the criteria of and shall be managed in accordance with Article 669.05(a)(1). Contaminants of concern sampling parameters: Benzo(a)pyrene, and Dibenzo(a,h)anthracene.
- Station 230+00 to Station 230+30 (CL US 12/Rand Road), 0 to 55 feet LT. The Engineer has determined this material meets the criteria of and shall be managed in accordance with Article 669.05(a)(4). Contaminants of concern sampling parameters: Benzo(a)pyrene, and Dibenzo(a,h)anthracene.

Site 3510-7: Residential buildings, 201-207 N. Louis Street, Mount Prospect, Cook County

- Station 227+50 to Station 228+50 (CL US 12/Rand Road), 0 to 45 feet RT. The Engineer has determined this material meets the criteria of and shall be managed in accordance with Article 669.05(a)(5). Contaminants of concern sampling parameter: Lead.
- Station 228+50 to Station 229+50 (CL US 12/Rand Road), 0 to 45 feet RT. The Engineer has determined this material meets the criteria of and shall be managed in accordance with Article 669.05(b)(1).
- Station 230+45 to Station 232+00 (CL US 12/Rand Road), 0 to 50 feet RT. The Engineer has determined this material meets the criteria of and shall be managed in accordance with Article 669.05(b)(1).

Site 3510-8: Brunswick Zone, 824 E. Rand Road, Mount Prospect, Cook County

- Station 230+30 to Station 232+00 (CL US 12/Rand Road), 0 to 50 feet LT. The Engineer has determined this material meets the criteria of and shall be managed in accordance with Article 669.05(a)(4). Contaminants of concern sampling parameters: Benzo(a)pyrene, and Dibenzo(a,h)anthracene.
- Station 232+00 to Station 232+60 (CL US 12/Rand Road), 0 to 50 feet LT. The Engineer has determined this material meets the criteria of and shall be managed in accordance with Article 669.05(a)(1). Contaminants of concern sampling parameter: Benzo(a)pyrene.

Site 3510-9: Vacant land, 801 E. Rand Road, Mount Prospect, Cook County

- Station 232+00 to Station 235+70 (CL US 12/Rand Road), 0 to 70 feet RT. The Engineer has determined this material meets the criteria of and shall be managed in accordance with Article 669.05(a)(1). Contaminants of concern sampling parameters: Benzo(a)pyrene, and Manganese.

- Station 239+50 to Station 239+95 (CL US 12/Rand Road), 0 to 50 feet RT. The Engineer has determined this material meets the criteria of and shall be managed in accordance with Article 669.05(a)(1). Contaminants of concern sampling parameters: Benzo(a)pyrene, Dibenzo(a,h)anthracene, and Lead.

Site 3510-10: Pond, 800 block of E. Rand Road, Mount Prospect, Cook County

- Station 232+60 to Station 234+85 (CL US 12/Rand Road), 0 to 50 feet LT. The Engineer has determined this material meets the criteria of and shall be managed in accordance with Article 669.05(a)(1). Contaminants of concern sampling parameters: Benzo(a)pyrene, and Manganese.

Site 3510-11: Walmart, 930 Mount Prospect Plaza, Mount Prospect, Cook County

- Station 234+85 to Station 235+25 (CL US 12/Rand Road), 0 to 150 feet LT. The Engineer has determined this material meets the criteria of and shall be managed in accordance with Article 669.05(a)(1). Contaminants of concern sampling parameters: Benzo(a)pyrene, Dibenzo(a,h)anthracene, and Manganese.
- Station 235+25 to Station 236+45 (CL US 12/Rand Road), 0 to 60 feet LT. The Engineer has determined this material meets the criteria of and shall be managed in accordance with Article 669.05(a)(5). Contaminants of concern sampling parameter: Benzo(a)pyrene, Arsenic, and Lead.
- Station 235+25 to Station 235+80 (CL US 12/Rand Road), 60 to 110 feet LT. The Engineer has determined this material meets the criteria of and shall be managed in accordance with Article 669.05(a)(3). Contaminants of concern sampling parameter: Benzo(a)pyrene.
- Station 237+55 to Station 239+45 (CL US 12/Rand Road), 0 to 50 feet LT. The Engineer has determined this material meets the criteria of and shall be managed in accordance with Article 669.05(a)(1). Contaminants of concern sampling parameters: Lead, and Manganese.
- Station 239+45 to Station 240+45 (CL US 12/Rand Road), 0 to 50 feet LT. The Engineer has determined this material meets the criteria of and shall be managed in accordance with Article 669.05(a)(5). Contaminants of concern sampling parameters: Benzo(a)pyrene, Dibenzo(a,h)anthracene, Lead, and Manganese.

At the Walmart property, Lead was detected at concentrations exceeding the TACO Tier 1 soil remediation objectives for the Construction Worker exposure route in soil boring 3510-11-08, from the sample interval 0 to 1 feet deep, as noted in the Final Preliminary Site Investigation Report for this project, dated January 17, 2022 by Huff & Huff, Inc. Procedures shall be implemented to protect site workers and observers from hazards encountered during construction activities in locations containing contaminated materials, pursuant to Article 669 of the Standard Specifications for Road and Bridge Construction manual.

- Station 240+45 to Station 242+20 (CL US 12/Rand Road), 0 to 50 feet LT. The Engineer has determined this material meets the criteria of and shall be managed in accordance with Article 669.05(a)(1). Contaminants of concern sampling parameters: Benzo(a)pyrene, Arsenic, Lead, and Manganese.

- Station 243+15 to Station 243+80 (CL US 12/Rand Road), 0 to 60 feet LT. The Engineer has determined this material meets the criteria of and shall be managed in accordance with Article 669.05(a)(5). Contaminants of concern sampling parameters: Benzo(a)anthracene, Benzo(a)pyrene, Benzo(b)fluoranthene, Dibenzo(a,h)anthracene, Indeno(1,2,3-cd)pyrene, and Arsenic.

Site 3510-12: Commercial building, 901 E. Rand Road, Mount Prospect, Cook County

- Station 239+95 to Station 240+55 (CL US 12/Rand Road), 0 to 50 feet RT. The Engineer has determined this material meets the criteria of and shall be managed in accordance with Article 669.05(a)(1). Contaminants of concern sampling parameters: Benzo(a)pyrene, Dibenzo(a,h)anthracene, and Lead.
- Station 240+55 to Station 242+35 (CL US 12/Rand Road), 0 to 60 feet RT. The Engineer has determined this material meets the criteria of and shall be managed in accordance with Article 669.05(a)(3). Contaminants of concern sampling parameters: Benzo(a)pyrene, and Dibenzo(a,h)anthracene.

Site 3510-14: US Bank, 940 E. Rand Road, Mount Prospect, Cook County

- Station 243+80 to Station 245+40 (CL US 12/Rand Road), 0 to 60 feet LT. The Engineer has determined this material meets the criteria of and shall be managed in accordance with Article 669.05(a)(5). Contaminants of concern sampling parameters: Benzene, Ethylbenzene, Xylene, Naphthalene, Indeno(1,2,3-cd)pyrene, and Manganese.

At the US Bank property, Xylene, Ethylbenzene, and Naphthalene was detected at concentrations exceeding the TACO Tier 1 soil remediation objectives for the Construction Worker exposure in soil boring 3510-14-01, from the sample interval 5 to 10 feet deep, as noted in the Final Preliminary Site Investigation Report for this project, dated January 17, 2022 by Huff & Huff, Inc. Procedures shall be implemented to protect site workers and observers from hazards encountered during construction activities in locations containing contaminated materials, pursuant to Article 669 of the Standard Specifications for Road and Bridge Construction manual.

Engineered Barrier. An engineered barrier shall be installed in retaining wall trenches to limit the exposure and control the migration of contamination from the contaminated soil that remains within the trench excavation. It shall be placed beneath the trench backfill material at the following locations:

- Station 243+93 to Station 246+26 (CL US 12/Rand Road), approximately 50 feet LT (US Bank, 940 E. Rand Road, Mount Prospect) – non-special waste. Contaminants of concern sampling parameters: VOCs, Xylene, Ethylbenzene, and Naphthalene.

The engineered barrier shall consist of a geosynthetic clay liner system, geomembrane liner, or equivalent material as approved by the Engineer. A geosynthetic clay liner shall be composed of a bentonite clay liner approximately 0.25 inches thick. The engineered barrier shall have a permeability of less than 10^{-7} cm/sec. Installation of the geosynthetic clay liner

system shall be in accordance with the manufacturer's recommendations except that all laps shall face down-slope.

The geomembrane liner shall have a minimum thickness of 30 mils. The geomembrane liner shall line the entire trench and in accordance with the manufacturer's recommendations.

No equipment will be allowed on the engineered barrier until it is covered by a minimum of 1 foot of backfill. Any damage to the engineered barrier caused by the Contractor shall be repaired at no additional expense to the Department in accordance with the manufacturer's recommendations and as directed by the Engineer.

Method of Measurement: The engineered barrier will be measured for payment in place and the area computed in square yards.

Basis of Payment: The engineered barrier will be paid for at the contract unit price per square yard for ENGINEERED BARRIER.

Site 3510-15: Century Tile and Carpet, 915 E. Rand Road, Mount Prospect, Cook County

- Station 246+45 to Station 246+85 (CL US 12/Rand Road), 0 to 90 feet RT. The Engineer has determined this material meets the criteria of and shall be managed in accordance with Article 669.05(a)(4). Contaminants of concern sampling parameters: Benzo(a)pyrene, Dibenzo(a,h)anthracene, and Manganese.

Site 3510-16: Mount Prospect Plaza, 990-1145 Mount Prospect Plaza, Mount Prospect, Cook County

- Station 246+05 to Station 246+80 (CL US 12/Rand Road), 0 to 80 feet LT. The Engineer has determined this material meets the criteria of and shall be managed in accordance with Article 669.05(a)(2). Contaminants of concern sampling parameter: Manganese.
- Station 250+25 to Station 251+10 (CL US 12/Rand Road), 0 to 70 feet LT. The Engineer has determined this material meets the criteria of and shall be managed in accordance with Article 669.05(a)(1). Contaminants of concern sampling parameters: Benzo(a)pyrene, and Lead.

Site 3510-17: Chase Bank, 950 E. Rand Road, Mount Prospect, Cook County

- Station 246+80 to Station 248+00 (CL US 12/Rand Road), 0 to 80 feet LT. The Engineer has determined this material meets the criteria of and shall be managed in accordance with Article 669.05(a)(5). Contaminants of concern sampling parameter: Arsenic.
- Station 248+00 to Station 249+25 (CL US 12/Rand Road), 0 to 60 feet LT. The Engineer has determined this material meets the criteria of and shall be managed in accordance with Article 669.05(a)(2). Contaminants of concern sampling parameter: Manganese.

Site 3510-18: Mattress Firm, 1020 E. Rand Road, Mount Prospect, Cook County

- Station 247+60 to Station 248+65 (CL US 12/Rand Road), 0 to 50 feet RT. The Engineer has determined this material meets the criteria of and shall be managed in accordance with Article 669.05(b)(1).

- Station 249+65 to Station 251+20 (CL US 12/Rand Road), 0 to 50 feet RT. The Engineer has determined this material meets the criteria of and shall be managed in accordance with Article 669.05(a)(1). Contaminants of concern sampling parameters: Benzo(a)pyrene, and Lead.
- Station 168+70 to Station 170+00 (CL Central Road), 0 to 55 feet LT. The Engineer has determined this material meets the criteria of and shall be managed in accordance with Article 669.05(a)(1). Contaminants of concern sampling parameters: Benzo(a)pyrene, and Lead.

Site 3510-19: Commercial building, 1200-1220 E. Central Road, Mount Prospect, Cook County

- Station 251+10 to Station 251+75 (CL US 12/Rand Road), 0 to 100 feet LT. The Engineer has determined this material meets the criteria of and shall be managed in accordance with Article 669.05(a)(3). Contaminants of concern sampling parameter: Benzo(a)pyrene.

Site 3510-21: Residences, 903-911 E. Central Road, 1 S. Albert Street, 1-2 S. George Street, and 1-2 S. Edward Street, Mount Prospect, Cook County

- Station 166+00 to Station 167+10 (CL Central Road), 0 to 40 feet RT. The Engineer has determined this material meets the criteria of and shall be managed in accordance with Article 669.05(a)(1). Contaminants of concern sampling parameters: Benzo(a)pyrene, and Dibenzo(a,h)anthracene.

Site 3510-22: Walgreens, 21 E. Rand Road, Des Plaines, Cook County

- Station 167+10 to Station 168+20 (CL Central Road), 0 to 50 feet RT. The Engineer has determined this material meets the criteria of and shall be managed in accordance with Article 669.05(a)(2). Contaminants of concern sampling parameter: Manganese.
- Station 168+20 to Station 169+15 (CL Central Road), 0 to 50 feet RT. The Engineer has determined this material meets the criteria of and shall be managed in accordance with Article 669.05(b)(1).
- Station 168+15 to Station 170+00 (CL Central Road), 0 to 50 feet RT. The Engineer has determined this material meets the criteria of and shall be managed in accordance with Article 669.05(a)(1). Contaminants of concern sampling parameters: Benzo(a)pyrene, Dibenzo(a,h)anthracene, and Lead.
- Station 252+70 to Station 253+45 (CL US 12/Rand Road), 0 to 45 feet RT. The Engineer has determined this material meets the criteria of and shall be managed in accordance with Article 669.05(a)(5). Contaminants of concern sampling parameters: Benzo(a)pyrene, Dibenzo(a,h)anthracene, Arsenic, and Lead.
- Station 253+45 to Station 254+00 (CL US 12/Rand Road), 0 to 45 feet RT. The Engineer has determined this material meets the criteria of and shall be managed in accordance with Article 669.05(b)(1).

Site 3510-23: Marathon gas station, 1201 E. Central Road, Mount Prospect, Cook County

- Station 253+45 to Station 254+25 (CL US 12/Rand Road), 0 to 125 feet LT. The Engineer has determined this material meets the criteria of and shall be managed in accordance with Article 669.05(b)(1).

- Station 254+25 to Station 256+15 (CL US 12/Rand Road), 0 to 55 feet LT. The Engineer has determined this material meets the criteria of and shall be managed in accordance with Article 669.05(a)(1). Contaminants of concern sampling parameter: Manganese.
- Station 256+15 to Station 256+80 (CL US 12/Rand Road), 0 to 70 feet LT. The Engineer has determined this material meets the criteria of and shall be managed in accordance with Article 669.05(a)(5). Contaminants of concern sampling parameters: Benzo(a)pyrene, and Arsenic.

Site 3510-24: Advocate Outpatient Center, 77 E. Rand Road, Des Plaines, Cook County

- Station 254+00 to Station 255+70 (CL US 12/Rand Road), 0 to 45 feet RT. The Engineer has determined this material meets the criteria of and shall be managed in accordance with Article 669.05(b)(1).
- Station 255+70 to Station 257+55 (CL US 12/Rand Road), 0 to 50 feet RT. The Engineer has determined this material meets the criteria of and shall be managed in accordance with Article 669.05(a)(1). Contaminants of concern sampling parameters: Benzo(a)pyrene, and Dibenzo(a,h)anthracene.
- Station 257+55 to Station 259+40 (CL US 12/Rand Road), 0 to 50 feet RT. The Engineer has determined this material meets the criteria of and shall be managed in accordance with Article 669.05(a)(5). Contaminants of concern sampling parameters: Benzo(a)anthracene, Benzo(a)pyrene, Benzo(b)fluoranthene, Dibenzo(a,h)anthracene, Indeno(1,2,3-cd)pyrene, and Lead

Site 3510-25: Burger King, 1205 E. Central Road, Mount Prospect, Cook County

- Station 256+60 to Station 258+00 (CL US 12/Rand Road), 0 to 70 feet LT. The Engineer has determined this material meets the criteria of and shall be managed in accordance with Article 669.05(a)(5). Contaminants of concern sampling parameters: Benzo(a)anthracene, Benzo(a)pyrene, Benzo(b)fluoranthene, Carbazole, Indeno(1,2,3-cd)pyrene, Arsenic, and Lead.
- Station 258+00 to Station 259+05 (CL US 12/Rand Road), 0 to 55 feet LT. The Engineer has determined this material meets the criteria of and shall be managed in accordance with Article 669.05(a)(3). Contaminants of concern sampling parameter: Benzo(a)pyrene.

Site 3510-26: BMO Harris Bank, 205 E. Central Road, Des Plaines, Cook County

- Station 259+05 to Station 260+10 (CL US 12/Rand Road), 0 to 60 feet LT. The Engineer has determined this material meets the criteria of and shall be managed in accordance with Article 669.05(b)(1).
- Station 260+10 to Station 260+60 (CL US 12/Rand Road), 0 to 50 feet LT. The Engineer has determined this material meets the criteria of and shall be managed in accordance with Article 669.05(a)(3). Contaminants of concern sampling parameter: Benzo(a)pyrene.

Site 3510-27: Residences, 204-392 E. Rand Road and 694-695 N. Albany Lane, Des Plaines, Cook County

- Station 260+60 to Station 261+10 (CL US 12/Rand Road), 0 to 50 feet LT. The Engineer has determined this material meets the criteria of and shall be managed in accordance with Article 669.05(a)(3). Contaminants of concern sampling parameter: Benzo(a)pyrene.
- Station 261+10 to Station 262+10 (CL US 12/Rand Road), 0 to 50 feet LT. The Engineer has determined this material meets the criteria of and shall be managed in accordance with Article 669.05(a)(1). Contaminants of concern sampling parameters: Benzo(a)pyrene, Dibenzo(a,h)anthracene, and Lead.
- Station 262+10 to Station 262+90 (CL US 12/Rand Road), 0 to 50 feet LT. The Engineer has determined this material meets the criteria of and shall be managed in accordance with Article 669.05(a)(2). Contaminants of concern sampling parameter: Arsenic.

Work Zones

Three distinct OSHA HAZWOPER work zones (exclusion, decontamination, and support) shall apply to projects adjacent to or within sites with documented leaking underground storage tank (LUST) incidents, or sites under management in accordance with the requirements of the Site Remediation Program (SRP), Resource Conservation and Recovery Act (RCRA), or Comprehensive Environmental Response, Compensation and Liability Act (CERCLA), or as deemed necessary. For this project, the work zones apply for the following ISGS PESA Sites: **None**

DETECTABLE WARNINGS

Description. This work shall be completed in accordance with Section 424 of the Standard Specifications, except as noted below.

Construction. It shall be the Contractor's responsibility to ensure that the placement of the detectable warnings, at locations where standard manufactured detectable warnings do not match the corner radii, satisfy ADA requirements. This may require "piecing together" a series of radial and tangent detectable warnings to fit the radius. This work shall be completed to the satisfaction of the Engineer.

Method of Measurement. This work will be measured for payment in place installed, in square feet. This shall include radial and square segments.

Basis of Payment. This work will be paid for at the contract unit price per square foot for DETECTABLE WARNINGS.

PORTLAND CEMENT CONCRETE SIDEWALK

Description. This work shall be completed in accordance with Section 424 of the Standard Specifications, except as noted below.

Construction. All contraction joints on the proposed eight-foot to ten-foot wide, concrete multi-use path shall be saw cut to a depth of 1-1/2 inches. Tooled contraction joints will not be allowed. Saw cuts can be made with conventional wet-cut or dry-cut saws. Saw cut joints should be installed as soon as the concrete is sufficiently hard to resist tearing and raveling and before random cracking occurs.

Method of Measurement. This work will not be measured for payment but shall be included in the cost of Portland Cement Concrete Sidewalk of the depth specified.

HOT-MIX ASPHALT SURFACE REMOVAL

Description. This work shall consist of the removal of hot-mix asphalt surfaces in preparation for subsequent resurfacing. This work shall also consist of the partial removal of concrete patches that are encountered during the removal of the HMA surface.

General. This work shall be completed in accordance with Section 440 of the Standard Specifications. Additional payment will not be allowed for the partial removal of concrete patches.

Method of Measurement. HMA surface removal will be measured for payment in place and the area computed in square yards for each specified thickness of material removed.

Basis of Payment. This work will be paid for at the contract unit price per square yard for HOT-MIX ASPHALT SURFACE REMOVAL, of the thickness specified.

CLASS B PATCHES

General. This work shall be completed in accordance with Section 442 of the Standard Specifications, except as noted below.

Construction. The cost of sawcutting (to remove the existing pavement) shall be included in the cost of the work. The cost to furnish and install No. 10 x 18 epoxy coated tie bars shall be paid for separately as TIE BARS 1 1/4". The tie bars shall be anchored into the existing pavement at 12-inch centers.

Method of Measurement. This work shall be paid for in accordance with Article 442.10 of the Standard Specifications, except that the cost of sawcutting (to remove the existing pavement) shall be included in the cost of the work.

Basis of Payment. This work shall be paid for at the contract unit price per square yard for CLASS B PATCHES of the type and thickness shown.

TIE BARS 1 1/4"

Description. This work shall consist of drilling and grouting tie bars into existing pavement.

General. This work shall be completed in accordance with Section 442 of the Standard Specifications and IDOT Highway Standard 442101.

Construction. The tie bars shall be 18 inches in length and epoxy coated and shall be anchored into the existing pavement at 12-inch centers.

Basis of Payment. This work shall be paid for at the contract unit price per each for TIE BARS 1 1/4".

STORM SEWER REMOVAL

Description. This work shall consist of the removal and disposal of storm sewers.

Construction. This work shall be completed in accordance with Section 551 of the Standard Specifications, except that the storm sewers that are removed shall not be salvaged but shall be disposed of by the Contractor in accordance with Article 202.03 of the Standard Specifications.

Basis of Payment. This work will be measured and paid for at the contract unit price per foot for STORM SEWER REMOVAL, regardless of the diameter of the pipe removed.

FIRE HYDRANTS TO BE REMOVED

Description. This work shall consist of removing existing fire hydrants, auxiliary valves, valve boxes and plugging the hydrant lead.

Construction Requirements. This work shall be completed in accordance with Section 564 of the Standard Specifications insofar as applicable. Hydrants removed shall remain the property of the Village of Mount Prospect and the Contractor shall deliver said hydrants to the Department of Public Works at 1700 W. Central Road.

The Contractor shall exercise due care in removing the materials to prevent damage to same. In the event damage does occur due to negligence by the Contractor, he/she shall repair same at his expense.

All excavations associated with the removal of fire hydrant shall be backfilled with compacted trench backfill, and the cost included in this item.

The Contractor shall not proceed with this work until new hydrants are operational.

Method of Measurement. This work will be measured in units of each.

Basis of Payment. This work will be paid for at the contract unit price per each for FIRE HYDRANTS TO BE REMOVED.

FIRE HYDRANT WITH AUXILIARY VALVE AND VALVE BOX

Description. This work shall consist of installing fire hydrants with auxiliary valves and valve boxes and connecting to existing water main.

Materials. Fire hydrants shall be Mueller Super Centurion 250 A-423 with 5-1/4" main valve, (2) 2-1/2" hose nozzle, (1) 4-1/2" pumper nozzle all national standard, 1-1/2" pentagon, open left (counter-clockwise), 6' bury. Provide 6" N.R.S. resilient wedge gate valve and valve box with "WATER" cast into the lid, Mueller A 2360-16 open left. Zinc caps will be required on all mechanical joint fittings.

Construction. This work shall be completed in accordance with this special provision and the detail in the plans and shall include all excavation, trench backfill, thrust blocking, and all labor necessary to install the hydrant. The hydrant, gate valve, the length of pipe between the main and the hydrant, and any fittings necessary to assemble and attach to the existing water main, are included in the work.

Method of Measurement. This work will be measured in units of each.

Basis of Payment. This work will be paid for at the contract unit price per each for FIRE HYDRANT WITH AUXILIARY VALVE AND VALVE BOX.

DOMESTIC WATER SERVICE BOXES TO BE ADJUSTED

Description. This work shall consist of adjusting domestic water service boxes.

Requirements. The top of the box shall be adjusted and set flush with the established ground surface grade.

Method of Measurement. This work will be measured in units of each.

Basis of Payment. This work shall be paid for at the contract unit price per each for DOMESTIC WATER SERVICE BOXES TO BE ADJUSTED.

PIPE UNDERDRAINS, TYPE 2, 4"

Description. This work shall consist of constructing pipe underdrains.

General. This work shall be completed in accordance with Section 601 of the Standard Specifications, except that the cost of making pipe underdrain connections to drainage structures shall be included in the cost of the pipe underdrains. Holes shall be bored into the drainage structures. The use of breakers will not be allowed.

Method of Measurement. Pipe underdrains will be measured for payment in feet, in place.

Basis of Payment. PIPE UNDERDRAINS, TYPE 2, 4" will be paid for at the contract unit price per foot.

CHANGEABLE MESSAGE SIGN

The Contractor shall provide portable message signs in accordance with Articles 701.15(j) and 1106.02(i) of the Standard Specifications. The message signs shall be used as directed by the Engineer. It is anticipated that the message boards will be displayed for one week before construction begins, and prior to each construction staging change at locations, as directed by the Engineer.

In addition, the Contractor shall place one message sign on either side of the new signal on Central Road, east of Rand Road. The message signs shall be in place one week before the signal turn on and remain until three weeks after the turn on. The following text shall be displayed:

1. ONE WEEK PRIOR TO THE SIGNAL TURN-ON, THE CHANGEABLE MESSAGE SIGN(S) SHOULD READ:

a. FIRST FRAME:

“NEW”
“SIGNAL”
“AHEAD”

b. SECOND FRAME:

TURN ON DATE

FOR THREE WEEKS AFTER THE SIGNAL(S) ARE PLACED INTO OPERATION, THE MESSAGE SIGNS SHOULD READ:

a. FIRST FRAME:

“NEW”
“SIGNAL”
“AHEAD”

b. SECOND FRAME:

“BE”
“PREPARED”
“TO STOP”

Basis of Payment. Changeable message signs will be paid for at the contract unit price per calendar day.

CATCH BASINS, TYPE A

Description. This work shall be completed in accordance with Section 602 of the Standard Specifications, except that all catch basins shall be precast reinforced concrete. Cast-in-place concrete, brick masonry or concrete masonry units will not be allowed.

Basis of Payment. This work will be paid for at the contract unit price per each for CATCH BASINS, TYPE A of the diameter and frame and lid specified.

PROPOSED STORM SEWER CONNECTION TO EXISTING MANHOLE

Description. This work shall consist of connecting proposed storm sewer to existing manholes.

Requirements. The existing manholes shall be cored or drilled to accept the proposed storm sewer. The use of breakers will not be allowed. This work shall also include placing mortar to fill in any areas between the outside of the proposed storm sewer and the existing manhole.

Basis of Payment. This work shall be paid for at the contract unit price per each for PROPOSED STORM SEWER CONNECTION TO EXISTING MANHOLE.

RETAINING WALL REMOVAL

Description. This work shall consist of removing and disposing of modular block and flagstone retaining walls at locations as shown on the plans.

Requirements. Materials that are removed shall be disposed of in accordance with Article 202.03 of the Standard Specifications.

Method of Measurement. This work will be measured for payment in square feet. Measurement will be from the ground to the top of wall times the wall length (perimeter).

Basis of Payment. This work shall be paid for at the contract unit price per square foot for RETAINING WALL REMOVAL.

ADJUST MONITORING WELLS

Description. This work shall consist of adjusting the frame and lid of monitoring wells.

Requirements. This work shall be completed in accordance with Sections 603 and 669 of the Standard Specifications. Frames and lids of monitoring wells shall be adjusted to accommodate the proposed improvements. The Contractor shall submit their method of adjustment to the Engineer for approval prior to starting work.

Method of Measurement. This work will be measured in units of each.

Basis of Payment. This work shall be paid for at the contract unit price per each for ADJUST MONITORING WELLS.

CONCRETE LANDING SLAB

Description. This work shall consist of forming and pouring P.C. concrete base slabs under proposed concrete brick pavers. This work shall be performed in accordance with the plan details and as directed by the Engineer, and as specified herein.

Construction Requirements. This work shall be completed in accordance with applicable portions of Section 424 of the Standard Specifications. The concrete landing slab shall be 4" in thickness. In addition, the Contractor shall drill ½" diameter holes in the landing slab at 2' centers. The holes shall be covered with a 6" x 6" square of filter fabric before it is backfilled.

Method of Measurement. This work will be measured for payment in place and the area computed in square feet.

Basis of Payment. This item will be paid for at the contract unit price per square foot for CONCRETE LANDING SLAB.

DRAINAGE CONTROL STRUCTURE

Description. This work shall consist of constructing concrete manholes of the size specified in accordance with Section 602 of the Standard Specifications, the details on the plans and as specified herein.

Manholes shall be precast reinforced concrete in accordance with Article 602.07 of the Standard Specifications and Drainage Details in the plans.

Method of Measurement. This work will be measured for payment in place per each concrete manhole with restrictor plate.

Basis of Payment. This work will be paid for at the contract unit price per each for DRAINAGE CONTROL STRUCTURE, which price shall constitute full compensation for all excavation, furnishing and installing the manhole, backfilling, sand cushion, flat slab tops, restrictor plate sewer connections, and all labor, equipment, tools and incidentals necessary to complete the work as specified.

WASHOUT BASIN

Description. This work shall consist of constructing and maintaining a washout basin for concrete trucks and other construction vehicles.

Requirements. The work shall include general maintenance and removal of all construction debris. Removal shall be in accordance with Article 202.03 of the Standard Specifications.

Basis of Payment. This work shall be paid for at the contract lump sum price for WASHOUT BASIN.

BRICK SIDEWALK

Description. This work shall consist of furnishing and installing unit pavers units on a prepared sand bed and concrete base.

Requirements. This work shall also include all required sand setting bed, and paver joint material. The concrete base will be paid for separately as Concrete Landing Slab.

Qualification. The Contractor shall provide written evidence that his firm or other entity proposed for the unit paving work has specific experience meeting the following criteria:

- A. Experience installing unit pavers using sand setting beds.
- B. Installed (within past two years) a minimum of 200,000 square feet per year of unit paving using sand setting beds in commercial projects.
- C. The same experienced supervisory personnel will be made available for this project.

If requested, the paving firm shall submit a list of comparable projects setting forth description, square footage, location and knowledgeable references with addresses and phone numbers.

Any material substitutions must be submitted to the Engineer for review. Submittals for consideration shall include full-sized samples and technical specifications. The Engineer will review the substitution proposal and, if approved, will issue written approval. Substitution submittals received after time outlined above will not be considered. Substitutions during construction will not be allowed.

Materials. Unit pavers shall meet the requirements of Article 1042.15 of the Standard Specifications.

The bricks shall be Regimental Red Paver and Carbon Black Paver as manufactured by The Belden Brick Company. Bricks shall measure 2-1/4" x 4" x 8".

The Belden Brick Company
700 Tuscarawas Street W
Canton, OH 44702
330-456-0031

Sand setting bed and joint sand shall be clean, non-plastic, free from deleterious or foreign matter. The sand shall be natural or manufactured from crushed rock. Grading of samples shall be done according to ASTM C136. The particles shall be sharp and conform to the grading requirements of ASTM C33 as shown in Table 1.

Table 1
Grading Requirements for Bedding and Joint Sand

Sieve Size	Percent Passing
3/8 in.	100
No. 4	95 to 100
No. 8	80 to 100
No. 16	50 to 85
No. 30	25 to 60
No. 50	10 to 30
No. 100	2 to 10

Submittals. Submit samples of brick paving units to indicate color and size selections. Color will be selected by Village from manufacturer's available colors.

Submit sieve analysis for grading of bedding sand.

Delivery, Storage and Handling. Deliver brick pavers to the site in steel banded, plastic banded, or plastic wrapped cubes or on pallets capable of transfer by forklift or clamp lift. Unload pavers at job site in such a manner that no damage occurs to the product.

Sand delivered to the site shall be covered with waterproof covering to prevent exposure to rainfall or removal by wind. The covering shall be secured in place.

There shall be no variation in the depth of each paver. Pavers with extensive breakage of corners shall be rejected. Field pavers shall be laid as indicated on the plan and shall be an equal mixture of the standard colors. Final colors shall be approved by Engineer as coordinated with the Village prior to work.

Do not install sand or pavers during heavy rain or snowfall. Do not install frozen sand.

Field Mockup. Contractor shall provide a 6 'x 6' field mockup to demonstrate finish, color and pattern of the interlocking paver pavement to be approved by Engineer before installation.

Construction. Pavers shall be installed per the manufacturer's recommendations. No paver setting work shall be performed when the underlayment has free moisture, ice, or snow, or when the underlayment is frozen. Concrete underlayment shall be sound, clean, and free from debris and materials or substances that will hinder the bond of the setting bed. The top surface of concrete underlayment slab shall not vary more than one half (1/2) inch of its proposed elevation. See detail plans for cross section of typical unit paver system.

To reduce dust during paver installation, unit pavers shall only be cut using wet saws. No dry cutting is permitted. Cut pavers shall be placed in areas shown on the details in the plans. "L" shaped pavers shall be avoided where possible. Pavers shall be cut radially when joints

between pavers on curves exceed 1/8 inch. Radial cut pavers shall be created by trimming both sides of paver. Paver edgings shall be installed per manufacturer's recommendations.

Sand setting bed. Sand shall be spread over the concrete base slab to the depth indicated on the plans and filter fabric as a setting bed for pavers. Sand shall be spread 1/2 inch to 3/4-inch-thick and leveled to required slope and grade. Maximum thickness of sand shall be 3/4 inch after leveling. Bed shall not be compacted until pavers are installed. Surface tolerance shall be within 1/4 in. of required grade as measured with a 10 ft. straightedge in both the transverse and longitudinal directions.

Paver installation. Setting bed shall be protected from damage prior to setting pavers. Unit pavers shall be set on sand setting bed. Setting shall be done by competent workmen under adequate supervision, and in accordance with manufacturer's recommendations. Pavers with chips, cracks, or other structural or aesthetic defects or those rejected by the Engineer shall not be used. Pavers shall be set true to the required lines and grades in the pattern detailed on the Plans. Pavers shall be tightly butted. Joints between pavers shall be uniform and shall be between 1/16 inch and 1/8 inch (2 to 3 mm) wide. There shall be no raised edges, either pavers or materials adjacent to pavers. The tolerance for such edges shall be 0" - 1/16" maximum in range. Pavers to be installed in the pattern(s) as shown on the drawings. Full pavers are to be laid first. The pavers should be laid hand tight. Maintain straight pattern lines and adjust as necessary.

After a sufficient area of pavers has been installed, the pavers shall be compacted by running a mechanical vibratory compactor over the paved surface until the pavers are uniformly leveled, true to grade, and totally immobilized. Where required, pavers shall be accurately cut with a masonry or concrete saw. Cut pavers shall be placed in such a manner that no segment is smaller than one quarter of a full paver. Cut edges shall be plumb and straight. Scoring and breaking shall not be acceptable.

Prior to application of Joint-Lock Sand, make sure the surface is dry and the paver joints are clean. Pour sand evenly over the area. Sweep the sand repeatedly over the paver stone joints until they are completely filled with sand. When joints are filled, paver surfaces shall be swept clean of sand. Paver edgings shall be installed per manufacturer's recommendations.

Use a low amplitude, high frequency plate vibrator capable of 3000 to 5000 lbs. centrifugal compaction force to vibrate the pavers into the sand. Vibrate the pavers, sweeping dry polymeric sand into the joints and vibrating until they are full. This will require at least two or three passes with the vibrator. Do not vibrate within three feet of the unrestrained edges of the paving units.

All work to within three feet of the installed face must be left fully compacted with sand-filled joints at the completion of each day.

After completion of the unit pavers, paver installation areas shall be thoroughly swept clean, and surface shall be left unsoiled. Where required by the Engineer, surface shall be cleaned with water or an approved cleaner.

The Contractor shall return to the site one month after installation is complete to inspect polymeric sand in joints. The Contractor is responsible for adding additional polymeric sand to fill joints where necessary.

The final surface elevations shall not deviate more than 3/8 inch under a 10-foot-long straightedge. The surface elevation of pavers shall be 1/8 to 1/4 inch above adjacent drainage inlets, concrete curbs or retaining edge.

Method of Measurement. This work will be measured for payment in place and the area computed in square feet.

Basis of Payment. This work shall be paid for at the contract unit price per square foot for BRICK SIDEWALK.

BRICK SIDEWALK REMOVAL

Description. This work shall consist of the removal and disposal of existing brick sidewalks.

General. Bricks that are removed shall be disposed of in accordance with Article 202.03 of the Standard Specifications.

Basis of Payment. This work will be paid for at the contract unit price per square foot for BRICK SIDEWALK REMOVAL.

CURB WALL (SPECIAL)

Description. This work shall consist of constructing reinforced concrete curb.

General. This work shall be completed in accordance with Sections 508 and 606 of the Standard Specifications, the details in the plans, and this special provision. All reinforcement bars shall be epoxy coated. Reinforcement bars will not be paid for separately but shall be included in the cost of the work.

Method of Measurement. Curb wall (special) will be measured for payment in square feet. The curb will be measured from the top of sidewalk to the top of curb for the length of the curb.

Basis of Payment. This work will be paid for at the contract unit price per square foot for CURB WALL (SPECIAL).

PORTLAND CEMENT CONCRETE BASE COURSE WIDENING 8 1/4"

Description. This work shall consist of widening existing pavement with a Portland cement concrete base course widening not exceeding 6 feet in width.

General. This work shall be completed in accordance with Section 354 of the Standard Specifications.

Method of Measurement. Portland cement concrete base course widening will be measured for payment according to Article 353.13 of the Standard Specifications.

Basis of Payment. This work will be paid for at the contract unit price per square yard for PORTLAND CEMENT CONCRETE BASE COURSE WIDENING 8 1/4".

TEMPORARY RAMP, SPECIAL

Description. This work shall consist of constructing temporary HMA ramps to serve as a transition between the proposed PCC base course and existing pavement/combination curb and gutter.

General. This work shall be completed in accordance with Section 406 of the Standard Specifications, the detail in the plans, and as directed by the Engineer. Removal of temporary ramps, special will not be paid for separately but shall be included in the cost of the work.

Basis of Payment. This work will be paid for at the contract unit price per square yard for TEMPORARY RAMP, SPECIAL.

PORTLAND CEMENT CONCRETE SIDEWALK 8 INCH, SPECIAL

Description. This work shall consist of constructing reinforced concrete sidewalk on a prepared subgrade.

General. This work shall be completed in accordance with Sections 424 and 508 of the Standard Specifications, the details in the plans, and this special provision. All reinforcement bars shall be epoxy coated. Reinforcement bars will not be paid for separately but shall be included in the cost of the work. Subbase will be paid for separately.

Basis of Payment. This work will be paid for at the contract unit price per square foot for PORTLAND CEMENT CONCRETE SIDEWALK 8 INCH, SPECIAL.

CONCRETE MEDIAN SURFACE REMOVAL

Description. This work shall consist of the removal and disposal of existing concrete median surface.

General. Concrete median surface shall be removed in accordance with Section 440 of the Standard Specifications. Removal of aggregate/earth below the median surface will be paid for separately as Earth Excavation. Disposal of removed materials shall be in accordance with Article 202.03 of the Standard Specifications.

Basis of Payment. This work will be paid for at the contract unit price per square foot for CONCRETE MEDIAN SURFACE REMOVAL.

RAISED REFLECTIVE PAVEMENT MARKER, REFLECTOR REMOVAL

Description. This work shall consist of the removal and disposal of raised reflective pavement marker reflectors for those reflectors that are outside of the limits of resurfacing and conflict with the proposed traffic control.

General. Reflectors shall be carefully removed so as to avoid any damage to the permanent raised reflective pavement marker that is to remain. The Contractor shall replace any raised reflective pavement markers that he/she damages.

Basis of Payment. This work will be paid for at the contract unit price per each for RAISED REFLECTIVE PAVMENT MARKER, REFLECTOR REMOVAL.

FOUNDATION REMOVAL

Description. This work shall consist of removing existing privately-owned concrete light pole foundations

Removal. Foundation removal shall be completed in accordance with Article 737.02 of the Standard Specifications. Removal of light poles and wiring will be the responsibility of the owner of the lighting.

Basis of Payment. This work will be paid for at the contract unit price per each for FOUNDATION REMOVAL.

MANHOLES TO BE ADJUSTED (SPECIAL)

Description. This work shall consist of adjusting MWRDGC manholes.

Construction Requirements. This work shall be completed in accordance with applicable portions of Section 602 of the Standard Specifications, IDOT District 1 Detail BD-08 and MWRDGC details and notes, which may be found in the plans.

Adjustment of Village of Mount Prospect sanitary sewer manholes will be paid for separately as Sanitary Manholes to be Adjusted

Basis of Payment. This work will be paid for at the contract unit price per each for MANHOLES TO BE ADJUSTED (SPECIAL).

SANITARY MANHOLES TO BE ADJUSTED

Description. This work shall consist of adjusting Village of Mount Prospect sanitary sewer manholes.

Construction Requirements. This work shall be completed in accordance with applicable portions of Section 602 of the Standard Specifications, IDOT District 1 Detail BD-08, which may be found in the plans, and the provisions below. The frame and lid shall be set in a full bituminous mastic bed or approved rubber gasket seal. The frame and lid shall be set accurately to the finished elevation so that no subsequent adjustment will be necessary. A chimney sealing system shall also be furnished.

Adjusting rings shall be in accordance with Section 1042, Article 1043.02 or Article 1043.03 of the Standard Specifications. The minimum thickness for concrete adjusting rings shall be 2".

Adjustment of MWRDGC manholes will be paid for separately as Manholes to be Adjusted (Special)

Basis of Payment. This work will be paid for at the contract unit price per each for SANITARY MANHOLES TO BE ADJUSTED.

Rand Road (FAP 334), Central Road (FAU 1300),
Mount Prospect Road (FAU 1300)
Village of Mount Prospect
Contract No. 61H44
Section No. 17-00166-00-CH
Cook County

FRAMES AND LIDS TO BE ADJUSTED (SPECIAL)

Description. This work shall consist of adjusting catch basins, storm sewer manholes, inlets and water valve vaults that are within the pavement.

Construction. This work shall be completed in accordance with Section 603 of the Standard Specifications (insofar as applicable) and IDOT District 1 Detail BD-08, which may be found in the plans.

The adjustment of sanitary and MWRD manholes will be paid for separately.

Basis of Payment. This work will be measured and paid for at the contract unit price each for FRAMES AND LIDS TO BE ADJUSTED (SPECIAL).

CONCRETE MEDIAN, TYPE SB (SPECIAL)

Description. This work shall consist of constructing concrete median.

Construction. This work shall be completed in accordance with Section 606 of the Standard Specifications and IDOT Highway Standard 606301. The type of curb and gutter around the perimeter of the median shall be as shown in the plans. The top of concrete median surface shall be placed 3/4 inch below the top of surrounding curb to allow for the placement of the median surface, special.

Method of Measurement. This work will be measured for payment in place in units of square feet in accordance with Article 606.14 (b) of the Standard Specifications.

Basis of Payment. This work will be paid for at the contract unit price per square foot for CONCRETE MEDIAN, TYPE SB (SPECIAL).

CONCRETE MEDIAN SURFACE, SPECIAL

Description. This work shall consist of furnishing and placing Hot Applied Polymer Modified Synthetic Asphalt Surface Treatment over a concrete base.

Construction. The concrete median surface, special shall be 3/4 inch in thickness and shall be placed over a concrete base. The concrete base will be paid for separately as Concrete Median Surface, 4 Inch or Concrete Median, Type SB (Special). The top of concrete median surface shall be poured 3/4 inch below the top of surrounding curb to allow for the placement of the median surface, special. The area of installation shall be free of any debris and moisture before installation of the median surface, special.

Materials. Imprint Median Surface shall be manufactured by:

Traffic Calming USA
317a Northpoint Parkway
Acworth, GA 30102

Pattern. The Imprint Median Surface shall consist of a 12" dark grey brick patterned border with an interior of brick red colored 45-degree herringbone pattern.

Contractor Qualification. The Contractor must be qualified with Traffic Calming USA to perform this work and meet all applicable product requirements.

Method of Measurement. This work will be measured for payment in place in units of square feet

Basis of Payment. This work will be paid for at the contract unit price per square foot for CONCRETE MEDIAN SURFACE, SPECIAL.

MAILBOX REMOVAL AND REPLACEMENT

Description. This work shall consist of removing an existing ground-mounted mailbox and replacing it with a new ground-mounted mailbox.

General. The new location of the mailbox shall be approved by the Engineer. Mailboxes shall meet the following requirements:

- Constructed of heavy gauge galvanized steel and fully powder coated for corrosion resistance
- Door and side panels provide a place for house numbers to be applied
- Reinforced body for added rigidity
- Galvanized steel flag powder-coated red
- Overall outside dimensions of mailbox shall be 8 in. W x 10 in. H x 20.7 in. D
- Approved by the US Postmaster General

The mailbox shall be installed on a new 4" x 4" square or 4½" diameter round treated wood post. The new post shall be embedded no more than 24" into the ground. The resulting hole shall be backfilled with a suitable excavated material, approved by the Engineer. The mailbox

The existing post and mailbox shall be removed and disposed of according to the requirements of Article 202.03 of the Standard Specifications. The hole for the existing post shall be backfilled and the area restored.

Method of Measurement. This work will be measured for payment as each mailbox to be relocated.

Basis of Payment. This work will be paid for at the contract unit price per each for MAILBOX REMOVAL AND REPLACEMENT. The unit price shall include all equipment, materials and labor required to relocate the mailbox and to restore the existing location. No additional compensation will be allowed for any temporary relocation or for the removal and disposal of the existing post and mailbox.

LOCATING UNDERGROUND UTILITY

Description. This item shall consist of locating underground utilities that potentially conflict with proposed improvements.

Requirements. It shall be the Contractor's responsibility to locate underground utilities that are marked on the plans. This work will not be paid for separately but shall be included in the cost of the item being constructed. Exceptions are as follows:

- **Utilities Marked on the Plans:** If the item to be constructed is grade critical, and cannot be adjusted either vertically or horizontally (i.e. storm sewer, sanitary sewer), and there is a potential for conflict with the utility. Locating potentially conflicting utilities will be paid under this item.
- **Utilities Not Marked on Plans:** If a utility is not shown on the plans (or not shown in accordance with Article 104.03 of the Standard Specifications). Locating potentially conflicting utilities will be paid under this item. As per Article 107.40(a)(2) of the Standard Specifications, "Service connections shall not be considered to be utilities in unanticipated locations".

Construction. The method of excavation to locate utilities will be at the contractor's discretion, as approved by the Engineer. If the contractor elects to use hydro excavation for the removal of excavated material, he/she shall be responsible for all water usage and disposing of the excavated material in accordance with Article 202.03 of the Standard Specifications. Regardless of the method of excavation, the Contractor shall be responsible for replacing excavated soil in the resulting hole with sand, limestone screenings or other material as approved by the Engineer.

Any utilities damaged during excavation operations shall be repaired or replaced at the contractor's expense; no additional compensation shall be allowed.

Removal and replacement/restoration of any pavement, sidewalk, parkway, driveway, etc. necessary to complete the exploration excavation shall be paid for separately under pay items that are in the contract. Sidewalk removal and replacement shall include the complete sidewalk panel.

Method of Measurement. This work will be measured per each excavation, regardless of the soil composition, to locate existing utilities. For this pay item, excavation depth and width will be limited to 72 inches and 5 feet, respectively. The Contractor will not receive compensation if more than one utility is located within the excavation (as defined above). If the utility is deeper than 72 inches, the initial locate shall be measured in accordance with this special provision. Additional excavation (beyond 72 inches in depth) shall be measured and paid for in accordance with Article 109.04 of the Standard Specifications.

Rand Road (FAP 334), Central Road (FAU 1300),
Mount Prospect Road (FAU 1300)
Village of Mount Prospect
Contract No. 61H44
Section No. 17-00166-00-CH
Cook County

Basis of Payment. This work shall be paid for at the contract unit price per each for LOCATING UNDERGROUND UTILITY.

HOT-MIX ASPHALT DRIVEWAY PAVEMENT

Description. This work shall consist of constructing hot-mix asphalt driveways.

General. This work shall be completed in accordance with Sections 311 and 406 of the Standard Specifications, the details on the plans and as specified herein.

The proposed hot-mix asphalt and aggregate base course will be included in this item. Removal of the existing driveways will be paid for separately.

Method of Measurement. This work will be measured for payment in square yards

Basis of Payment. This work will be paid for at the contract unit price per square yard for HOT-MIX ASPHALT DRIVEWAY PAVEMENT of the thickness specified.

ADJUSTING WATER VALVE BOXES

Description. This work shall consist of adjusting water valve boxes to match the proposed finished grade.

General. Top sections, extensions and/or caps compatible with the existing valve may be required to adjust the valve box to the final grade. Replacement of damaged caps will be included in the work.

Method of Measurement. This work will be measured for payment in units of each.

Basis of Payment. This work will be paid for at the contract unit price per each for ADJUSTING WATER VALVE BOXES.

RAISED PAVEMENT MARKER REFLECTOR REPLACEMENT

Description. This work shall consist of the replacement of raised reflective pavement marker reflectors.

General. The reflectors shall be meet the requirements of Article 1096.01 of the Standard Specifications.

Basis of Payment. This work will be paid for at the contract unit price per each for RAISED PAVEMENT MARKER REFLECTOR REPLACEMENT.

TEMPORARY PAVEMENT (VARIABLE DEPTH)

Description. This work shall consist of constructing temporary pavement at locations where the existing pavement will be patched to construct storm sewer (or other utility improvements).

General. The temporary pavement shall be constructed over the pavement patch. This work shall be completed in accordance with Section 406 of the Standard Specifications, the detail in the plans, and as directed by the Engineer. Removal of the temporary pavement will be paid for as HMA Surface Removal, of the appropriate thickness.

Basis of Payment. This work will be paid for at the contract unit price per ton for TEMPORARY PAVEMENT (VARIABLE DEPTH).

Rand Road (FAP 334), Central Road (FAU 1300),
Mount Prospect Road (FAU 1300)
Village of Mount Prospect
Contract No. 61H44
Section No. 17-00166-00-CH
Cook County

CONCRETE MEDIAN SURFACE, 4 INCH

Description. This work shall consist of constructing concrete median.

Construction. This work shall be completed in conformance with Section 606 of the Standard Specifications and IDOT Standard 606301-4.

Basis of Payment. This work shall be paid for at the contract unit price per square foot for CONCRETE MEDIAN SURFACE, 4 INCH.

SODDING, SALT TOLERANT (SPECIAL)

Description. This work shall consist of placing salt tolerant sod, four inches of topsoil and fertilizer nutrients.

Construction. This work shall be performed in accordance with Section 252 of the Standard Specifications except as modified herein.

Under no condition shall sod be placed during the months of July and August.

Excavation, surplus, and waste materials resulting from stripping sod, ground preparation, grade leveling, and sodding operations shall be immediately loaded and hauled away and shall not be stored in the street or parkway area. Excavation, hauling away, and disposal of this material shall be included in the cost of the work, and no additional compensation will be allowed.

Supplemental watering, as defined in the Standard Specifications, will be paid for separately.

Basis of Payment. This work shall be paid for at the contract unit price per square yard for SODDING, SALT TOLERANT (SPECIAL).

Rand Road (FAP 334), Central Road (FAU 1300),
Mount Prospect Road (FAU 1300)
Village of Mount Prospect
Contract No. 61H44
Section No. 17-00166-00-CH
Cook County

THIS PAGE INTENTIONALLY LEFT BLANK

MAST ARM SIGN PANELS

Effective: May 22, 2002

Revised: July 1, 2015

720.01TS

Add the following to Article 720.02 of the Standard Specifications:

Sign stiffening channel systems shall be aluminum and meet the requirements of ASTM 6261-T5. Sign mounting banding, buckles and buckle straps shall be manufactured from AISI 201 stainless steel.

RELOCATE EXISTING MASTER CONTROLLER

Description: This work shall consist of the removal, storage, and relocation of an existing master controller and associated cabling, from one traffic signal cabinet to another cabinet.

General: After the temporary traffic signal installations are turned-on, the Contractor shall relocate the existing master controller for ECON system 162 to the temporary traffic signal cabinet located at US 12/Rand Rd and Central Rd to operate the wireless, temporary traffic signal interconnect. After permanent traffic signal installations are turned-on, the Contractor shall relocate the existing master to the proposed cabinet located at US 12/Rand Rd and Central Rd. Any damage sustained by the switch during the removal, storage, transport, and/or reinstallation operations shall be repaired or replaced in kind to the satisfaction of the Engineer at the Contractor's expense.

Basis of Payment: This item will be paid for at the Contract unit price EACH per relocation for RELOCATE EXISTING MASTER CONTROLLER. The unit price shall include all equipment, materials and labor required to disconnect the existing master controller; package and store it; transport it; install the master controller in the new location; and in operation to the satisfaction of the Engineer. The unit price shall also include the all equipment, materials and labor required to disconnect the existing power supply, and communication cables; package and store them; transport them; install the power supply, communication cables, and all associated cables necessary for proper operation in the new location; and in operation to the satisfaction of the Engineer.

TRAFFIC SIGNAL GENERAL REQUIREMENTS

Effective: May 22, 2002

Revised: March 25, 2016

800.01TS

These Traffic Signal Special Provisions and the "District One Standard Traffic Signal Design Details" supplement the requirements of the State of Illinois "Standard Specifications for Road and Bridge Construction." The intent of these Special Provisions is to prescribe the materials and construction methods commonly used for traffic signal installations.

- All material furnished shall be new unless otherwise noted herein.
- Traffic signal construction and maintenance work shall be performed by personnel holding current IMSA Traffic Signal Technician Level II certification. A copy of the certification shall be immediately available upon request of the Engineer.
- The work to be done under this contract consists of furnishing, installing and maintaining all traffic signal work and items as specified in the Plans and as specified herein in a manner acceptable and approved by the Engineer.

Definitions of Terms.

Add the following to Section 101 of the Standard Specifications:

101.56 Vendor. Company that sells a particular type of product directly to the contractor or the Equipment Supplier.

101.57 Equipment supplier. Company that supplies, represents and provides technical support for IDOT District One approved traffic signal controllers and other related equipment. The Equipment Supplier shall be located within IDOT District One and shall:

- Be full service with on-site facilities to assemble, test and trouble-shoot traffic signal controllers and cabinet assemblies.
- Maintain an inventory of IDOT District One approved controllers and cabinets.
- Be staffed with permanent sales and technical personnel able to provide traffic signal controller and cabinet expertise and support.
- Technical staff shall hold current IMSA Traffic Signal Technician Level III certification and shall attend traffic signal turn-ons and inspections with a minimum 14 calendar day notice.

Submittals.

Revise Article 801.05 of the Standard Specifications to read:

All material approval requests shall be submitted electronically through the District's SharePoint System unless directed otherwise by the Engineer. Electronic material submittals shall follow the District's Traffic Operations Construction Submittals guidelines. General requirements include:

1. All material approval requests shall be made prior to or no later than the date of the preconstruction meeting. A list of major traffic signal items can be found in Article 801.05. Material or equipment which is similar or identical shall be the product of the same manufacturer, unless necessary for system continuity. Traffic signal materials and equipment shall bear the U.L. label whenever such labeling is available.
2. Product data and shop drawings shall be assembled by pay item. Only the top sheet of each pay item submittal will be stamped by the Department with the review status, except shop drawings for mast arm pole assemblies and the like will be stamped with the review status on each sheet.
3. Original manufacturer published product data and shop drawing sheets with legible dimensions and details shall be submitted for review.
4. When hard copy submittals are necessary, four complete copies of the manufacturer's descriptive literatures and technical data for the traffic signal materials shall be submitted. For hard copy or electronic submittals, the descriptive literature and technical data shall be adequate for determining whether the materials meet the requirements of the plans and specifications. If the literature contains more than one item, the Contractor shall indicate which item or items will be furnished.
5. When hard copy submittals are necessary for structural elements, four complete copies of the shop drawings for the mast arm assemblies and poles, and the combination mast arm assemblies and poles showing, in detail, the fabrication thereof and the certified mill analyses of the materials used in the fabrication, anchor rods, and reinforcing materials shall be submitted.
6. Partial or incomplete submittals will be returned without review.
7. Certain non-standard mast arm poles and special structural elements will require additional review from IDOT's Central Office. Examples include ornamental/decorative, non-standard length mast arm pole assemblies and monotube structures. The Contractor shall account for the additional review time in his schedule.
8. The contract number or permit number, project location/limits and corresponding pay code number must be on each sheet of correspondence, catalog cuts and mast arm poles and assemblies drawings.
9. Where certifications and/or warranties are specified, the information submitted for approval shall include certifications and warranties. Certifications involving inspections, and/or tests of material shall be complete with all test data, dates, and times.
10. After the Engineer reviews the submittals for conformance with the design concept of the project, the Engineer will stamp the drawings indicating their status as 'Approved', 'Approved-As-Noted', 'Disapproved', or 'Incomplete'. Since the Engineer's review is for conformance with the design concept only, it is the Contractor's responsibility to coordinate the various items into a working system as specified. The Contractor shall not be relieved from responsibility for errors or omissions in the shop, working, layout drawings, or other documents by the Department's approval thereof. The Contractor must still be in full compliance with contract and specification requirements.
11. The Contractor shall secure approved materials in a timely manner to assure construction schedules are not delayed.
12. All submitted items reviewed and marked 'APPROVED AS NOTED', 'DISAPPROVED', or 'INCOMPLETE' are to be resubmitted in their entirety, unless

- otherwise indicated within the submittal comments, with a disposition of previous comments to verify contract compliance at no additional cost to the contract.
13. Exceptions to and deviations from the requirements of the Contract Documents will not be allowed. It is the Contractor's responsibility to note any deviations from Contract requirements at the time of submittal and to make any requests for deviations in writing to the Engineer. In general, substitutions will not be acceptable. Requests for substitutions must demonstrate that the proposed substitution is superior to the material or equipment required by the Contract Documents. No exceptions, deviations or substitutions will be permitted without the approval of the Engineer.
 14. Contractor shall not order major equipment such as mast arm assemblies prior to Engineer approval of the Contractor marked proposed traffic signal equipment locations to assure proper placement of contract required traffic signal displays, push buttons and other facilities. Field adjustments may require changes in proposed mast arm length and other coordination.

Marking Proposed Locations.

Revise "Marking Proposed Locations for Highway Lighting System" of Article 801.09 to read "Marking Proposed Locations for Highway Lighting System and Traffic Signals."

Add the following to Article 801.09 of the Standard Specifications:

It shall be the contractor's responsibility to verify all dimensions and conditions existing in the field prior to ordering materials and beginning construction. This shall include locating the mast arm foundations and verifying the mast arms lengths.

Inspection of Electrical Systems.

Add the following to Article 801.10 of the Standard Specifications:

- (c) All cabinets including temporary traffic signal cabinets shall be assembled by an approved equipment supplier in District One. The Department reserves the right to request any controller and cabinet to be tested at the equipment supplier's facility prior to field installation, at no extra cost to this contract.

Maintenance and Responsibility.

Revise Article 801.11 of the Standard Specifications to read:

- a. Existing traffic signal installations and/or any electrical facilities at all or various locations may be altered or reconstructed totally or partially as part of the work on this Contract. The Contractor is hereby advised that all traffic control equipment, presently installed at these locations, may be the property of the State of Illinois, Department of Transportation, Division of Highways, County, Private Developer, Municipality or Transit Agency in which they are located. Once the Contractor has begun any work on any portion of the project, all traffic signals within the limits of this contract or those which have the item "Maintenance of Existing Traffic Signal Installation," "Temporary Traffic Signal Installation(s)" and/or "Maintenance of Existing Flashing Beacon Installation,"

shall become the full responsibility of the Contractor. The Contractor shall supply the Engineer, Area Traffic Signal Maintenance and Operations Engineer, IDOT ComCenter and the Department's Electrical Maintenance Contractor with two 24-hour emergency contact names and telephone numbers.

- b. Automatic Traffic Enforcement equipment such as red lighting running and railroad crossing camera systems are owned and operated by others and the Contractor shall not be responsible for maintaining this equipment.
- c. Regional transit, County and other agencies may also have equipment connected to existing traffic signal or peripheral equipment such as PTZ cameras, switches, transit signal priority (TSP and BRT) servers and other devices that shall be included with traffic signal maintenance at no additional cost to the contract.
- d. When the project has a pay item for "Maintenance of Existing Traffic Signal Installation," "Temporary Traffic Signal Installation(s)" and/or "Maintenance of Existing Flashing Beacon Installation," the Contractor must notify both the Area Traffic Signal Maintenance and Operations Engineer at (847) 705-4424 and the Department's Electrical Maintenance Contractor, of their intent to begin any physical construction work on the Contract or any portion thereof. This notification must be made a minimum of seven (7) working days prior to the start of construction to allow sufficient time for inspection of the existing traffic signal installation(s) and transfer of maintenance to the Contractor. The Department will attempt to full-fill the Contractor's inspection date request(s), however workload and other conditions may prevent the Department from accommodating specific dates or times. The Contractor shall not be entitled to any other compensation if the requested inspection date(s) cannot be scheduled by the Department. If work is started prior to an inspection, maintenance of the traffic signal installation(s) will be transferred to the Contractor without an inspection. The Contractor will become responsible for repairing or replacing all equipment that is not operating properly or is damaged at no cost to the owner of the traffic signal. Final repairs or replacement of damaged equipment must meet the approval of the Engineer prior to or at the time of final inspection otherwise the traffic signal installation will not be accepted.
- e. The Contractor is advised that the existing and/or temporary traffic signal installation must remain in operation during all construction stages, except for the most essential down time. Any shutdown of the traffic signal installation, which exceeds fifteen (15) minutes, must have prior approval of the Engineer. Approval to shut down the traffic signal installation will only be granted during the period extending from 10:00 a.m. to 3:00 p.m. on weekdays. Shutdowns shall not be allowed during inclement weather or holiday periods.

- f. The Contractor shall be fully responsible for the safe and efficient operation of the traffic signals and other equipment noted herein. Any inquiry, complaint or request by the Department, the Department's Electrical Maintenance Contractor or the public, shall be investigated and repairs begun within one hour. Failure to provide this service will result in liquidated damages of \$1000 per day per occurrence. In addition, the Department reserves the right to assign any work not completed within this timeframe to the Electrical Maintenance Contractor. All costs associated to repair this uncompleted work shall be the responsibility of the Contractor. Failure to pay these costs to the Electrical Maintenance Contractor within one month after the incident will result in additional liquidated damages of \$1000 per month per occurrence. Unpaid bills will be deducted from the cost of the Contract. The Department may inspect any signaling device on the Department's highway system at any time without notification.
- g. Any proposed activity in the vicinity of a highway-rail grade crossing must adhere to the guidelines set forth in the current edition of the Manual on Uniform Traffic Control Devices (MUTCD) regarding work in temporary traffic control zones in the vicinity of highway-rail grade crossings which states that lane restrictions, flagging, or other operations shall not create conditions where vehicles can be queued across the railroad tracks. If the queuing of vehicles across the tracks cannot be avoided, a uniformed law enforcement officer or flagger shall be provided at the crossing to prevent vehicles from stopping on the tracks, even if automatic warning devices are in place.
- h. The Contractor shall be responsible to clear snow, ice, dirt, debris or other condition that obstructs visibility of any traffic signal display or access to traffic signal equipment.
- i. The Contractor shall maintain the traffic signal in normal operation during short or long term loss of utility or battery back-up power at critical locations designated by the Engineer. Critical locations may include traffic signals interconnected to railroad warning devices, expressway ramps, intersection with an SRA route, critical corridors or other locations identified by the Engineer. Temporary power to the traffic signal must meet applicable NEC and OSHA guidelines and may include portable generators and/or replacement batteries. Temporary power to critical locations shall not be for separately but shall be included in the contract.

Damage to Traffic Signal System.

Add the following to Article 801.12(b) of the Standard Specifications to read:

Any traffic signal control equipment damaged or not operating properly from any cause shall be replaced with new equipment meeting current District One traffic signal specifications and provided by the Contractor at no additional cost to the Contract and/or owner of the traffic signal system, all as approved by the Engineer. Final replacement of damaged equipment

must meet the approval of the Engineer prior to or at the time of final inspection otherwise the traffic signal installation will not be accepted. Cable splices are only allowed at the bases of post and mast arms.

Temporary replacement of damaged or knockdown of a mast arm pole assembly shall require construction of a full or partial span wire signal installation or other method approved by the Engineer to assure signal heads are located overhead and over traveled pavement. Temporary replacement of mast arm mount signals with post mount signals will not be permitted.

Automatic Traffic Enforcement equipment, such as Red Light Enforcement cameras, detectors, and peripheral equipment, damaged or not operating properly from any cause, shall be the responsibility of the municipality or the Automatic Traffic Enforcement company per Permit agreement.

Traffic Signal Inspection (TURN-ON).

Revise Article 801.15(b) of the Standard Specifications to read:

It is the intent to have all electric work completed and equipment field tested by the Equipment Supplier prior to the Department's "turn-on" field inspection. If in the event the Engineer determines work is not complete and the inspection will require more than two (2) hours to complete, the inspection shall be canceled and the Contractor will be required to reschedule at another date. The maintenance of the traffic signals will not be accepted until all punch list work is corrected and re-inspected.

When the road is open to traffic, except as otherwise provided in Section 850 of the Standard Specifications, the Contractor may request a turn-on and inspection of the completed traffic signal installation at each separate location. This request must be made to the Area Traffic Signal Maintenance and Operations Engineer at (847) 705-4424 a minimum of seven (7) working days prior to the time of the requested inspection. The Department will attempt to full-fill the Contractor's turn-on and inspection date request(s), however workload and other conditions may prevent the Department from accommodating specific dates or times. The Contractor shall not be entitled to any other compensation if the requested turn-on and inspection date(s) cannot be scheduled by the Department. The Department will not grant a field inspection until written or electronic notification is provided from the Contractor that the equipment has been field tested and the intersection is operating according to Contract requirements. The Contractor must invite local fire department personnel to the turn-on when Emergency Vehicle Preemption (EVP) is included in the project. When the contract includes the item RE-OPTIMIZE TRAFFIC SIGNAL SYSTEM, OPTIMIZE TRAFFIC SIGNAL SYSTEM, or TEMPORARY TRAFFIC SIGNAL TIMINGS, the Contractor must notify the SCAT Consultant of the turn-on/detour implementation schedule, as well as stage changes and phase changes during construction.

The Contractor must have all traffic signal work completed and the electrical service installation connected by the utility company prior to requesting an inspection and turn-on of

the traffic signal installation. The Contractor shall be responsible to provide a police officer to assist with traffic control at the time of testing.

The Contractor shall provide a representative from the control equipment vendor's office who is knowledgeable of the cabinet design and controller functions to attend the traffic signal inspection for both permanent and temporary traffic signal turn-ons.

Upon demonstration that the signals are operating and all work is completed in accordance with the Contract and to the satisfaction of the Engineer, the Engineer will then allow the signals to be placed in continuous operation. The Agency that is responsible for the maintenance of each traffic signal installation will assume the maintenance upon successful completion of this inspection.

The District requires the following Final Project Documentation from the Contractor at traffic signal turn-ons in electronic format in addition to hard copies where noted. A CD/DVD shall be submitted with separate folders corresponding to each numbered title below. The CD/DVD shall be labelled with date, project location, company and contract or permit number. Record Drawings, Inventory and Material Approvals shall be submitted prior to traffic signal turn-on for review by the Department as described here-in.

Final Project Documentation:

1. Record Drawings. Signal plans of record with field revisions marked in red ink. One hard copy set of 11"x17" record drawings shall also be provided.
2. Inventory. Inventory of new and existing traffic signal equipment including cabinet types and devices within cabinets in an Excel spread sheet format. One hard copy shall also be provided.
3. Pictures. Digital pictures of a minimum 12M pixels of each intersection approach showing all traffic signal displays and equipment. Pictures shall include controller cabinet equipment in enough detail to clearly identify manufacture and model of major equipment.
4. Field Testing. Written notification from the Contractor and the equipment vendor of satisfactory field testing with corresponding material performance measurements, such as for detector loops and fiber optic systems (see Article 801.13). One hard copy of all contract required performance measurement testing shall also be provided.
5. Materials Approval. The material approval letter. A hard copy shall also be provided.
6. Manuals. Operation and service manuals of the signal controller and associated control equipment. One hard copy shall also be provided.
7. Cabinet Wiring Diagram and Cable Logs. Five (5) hard copies 11" x 17" of the cabinet wiring diagrams shall be provided along with electronic pdf and dgn files of the cabinet wiring diagram. Five hard copies of the cable logs and electronic excel files shall be provided with cable #, number of conductors and spares, connected device/signal head and intersection location.
8. Controller Programming Settings. The traffic signal controller's timings; backup timings; coordination splits, offsets, and cycles; TBC Time of Day, Week and

- Year Programs; Traffic Responsive Program, Detector Phase Assignment, Type and Detector Switching; and any other functions programmable from the keyboard. The controller manufacturer shall also supply a printed form, not to exceed 11" x 17" for recording that data noted above. The form shall include a location, date, manufacturer's name, controller model and software version. The form shall be approved by the Engineer and a minimum of three (3) copies must be furnished at each turn-on. The manufacturer must provide all programming information used within the controller at the time of turn-on.
9. Warrantees and Guarantees. All manufacturer and contractor warrantees and guarantees required by Article 801.14.
 10. GPS coordinate of traffic signal equipment as describe in the Record Drawings section herein.

Acceptance of the traffic signal equipment by the Department shall be based upon inspection results at the traffic signal "turn on", completeness of the required documentation and successful operation during a minimum 72 hour "burn-in" period following activation of the traffic signal. If approved, traffic signal acceptance shall be verbal at the "turn on" inspection followed by written correspondence from the Engineer. The Contractor shall be responsible for all traffic signal equipment and associated maintenance thereof until Departmental acceptance is granted.

All equipment and/or parts to keep the traffic signal installation operating shall be furnished by the Contractor. No spare traffic signal equipment is available from the Department.

All punch list work shall be completed within two (2) weeks after the final inspection. The Contractor shall notify the Electrical Maintenance Contractor to inspect all punch list work. Failure to meet these time constraints shall result in liquidated damage charges of \$500 per month per incident.

All cost of work and materials required to comply with the above requirements shall be included in the pay item bid prices, under which the subject materials and signal equipment are paid, and no additional compensation will be allowed. Materials and signal equipment not complying with the above requirements shall be subject to removal and disposal at the Contractor's expense.

Record Drawings.

The requirements listed for Electrical Installation shall apply for Traffic Signal Installations in Article 801.16. Revise the 2nd paragraph of Article 801.16 of the Standard Specifications to read:

"When the work is complete, and seven days before the request for a final inspection, the reduced-size set of contract drawings, stamped "RECORD DRAWINGS", shall be submitted to the Engineer for review and approval and shall be stamped with the date and the signature of the Contractor's supervising Engineer or electrician. The record drawings shall be submitted in PDF format on CDROM as well as hardcopy for review

and approval. If the contract consists of multiple intersections, each intersection shall be saved as an individual PDF file with TS# and location name in its file name.

In addition to the record drawings, copies of the final catalog cuts which have been Approved or Approved as Noted shall be submitted in PDF format along with the record drawings. The PDF files shall clearly indicate the pay item either by filename or PDF Table of Contents referencing the respective pay item number for multi-item PDF files. Specific part or model numbers of items which have been selected shall be clearly visible.”

As part of the record drawings, the Contractor shall inventory all traffic signal equipment, new or existing, on the project and record information in an Excel spreadsheet. The inventory shall include equipment type, model numbers, software manufacturer and version and quantities.

Add the following to Article 801.16 of the Standard Specifications:

“In addition to the specified record drawings, the Contactor shall record GPS coordinates of the following traffic signal components being installed, modified or being affected in other ways by this contract:

- All Mast Arm Poles and Posts
- Traffic Signal Wood Poles
- Rail Road Bungalow
- UPS
- Handholes
- Conduit roadway crossings
- Controller Cabinets
- Communication Cabinets
- Electric Service Disconnect locations
- CCTV Camera installations
- Fiber Optic Splice Locations
- Conduit Crossings

Datum to be used shall be North American 1983.

Data shall be provided electronically and in print form. The electronic format shall be compatible with MS Excel. Latitude and Longitude shall be in decimal degrees with a minimum of 6 decimal places. Each coordinate shall have the following information:

- File shall be named: TSXXX-YY-MM-DD (i.e. TS22157_15-01-01)
- Each intersection shall have its own file
- Row 1 should have the location name (i.e. IL 31 @ Klausen)
- Row 2 is blank
- Row 3 is the headers for the columns

- Row 4 starts the data
- Column A (Date) – should be in the following format:
MM/DD/YYYY
- Column B (Item) – as shown in the table below
- Column C (Description) – as shown in the table below
- Column D and E (GPS Data) – should be in decimal form, per the IDOT special provisions

Examples:

Date	Item	Description	Latitude	Longitude
01/01/2015	MP (Mast Arm Pole)	NEQ, NB, Dual, Combination Pole	41.580493	-87.793378
01/01/2015	HH (Handhole)	Heavy Duty, Fiber, Intersection, Double	41.558532	-87.792571
01/01/2015	ES (Electrical Service)	Ground mount, Pole mount	41.765532	-87.543571
01/01/2015	CC (Controller Cabinet)		41.602248	-87.794053
01/01/2015	RSC (Rigid Steel Crossing)	IL 31 east side crossing south leg to center HH at Klausen	41.611111	-87.790222
01/01/2015	PTZ (PTZ)	NEQ extension pole	41.593434	-87.769876
01/01/2015	POST (Post)		41.651848	-87.762053
01/01/2015	MCC (Master Controller Cabinet)		41.584593	-87.793378
01/01/2015	COMC (Communication Cabinet)		41.584600	-87.793432
01/01/2015	BBS (Battery Backup System)		41.558532	-87.792571
01/01/2015	CNCR (Conduit Crossing)	4-inch IL 31 n/o of Klausen	41.588888	-87.794440

Prior to the collection of data, the contractor shall provide a sample data collection of at least six data points of known locations to be reviewed and verified by the Engineer to be accurate within 1 foot. Upon verification, data collection can begin. Data collection can be made as construction progresses, or can be collected after all items are installed. If the data is unacceptable the contractor shall make corrections to the data collection equipment and or process and submit the data for review and approval as specified.

Accuracy. Data collected is to be mapping grade. A handheld mapping grade GPS device shall be used for the data collection. The receiver shall support differential correction and data shall have a minimum 1 foot accuracy after post processing.

GPS receivers integrated into cellular communication devices, recreational and automotive GPS devices are not acceptable.

The GPS shall be the product of an established major GPS manufacturer having been in the business for a minimum of 6 years.”

Delete the last sentence of the 3rd paragraph of Article 801.16.

Locating Underground Facilities.

Revise Section 803 to the Standard Specifications to read:

IDOT traffic signal facilities are not part of any of the one-call locating service such as J.U.L.I.E or Digger. If this Contract requires the services of an Electrical Contractor, the Contractor shall be responsible at his/her own expense for locating existing IDOT electrical facilities prior to performing any work. If this Contract does not require the services of an Electrical Contractor, the Contractor may request one free locate for existing IDOT electrical facilities from the District One Electrical Maintenance Contractor prior to the start of any work. Additional requests may be at the expense of the Contractor. The location of underground traffic facilities does not relieve the Contractor of their responsibility to repair any facilities damaged during construction at their expense.

The exact location of all utilities shall be field verified by the Contractor before the installation of any components of the traffic signal system. For locations of utilities, locally owned equipment, and leased enforcement camera system facilities, the local Counties or Municipalities may need to be contacted: in the City of Chicago contact Digger at (312) 744-7000 and for all other locations contact J.U.L.I.E. at 1-800-892-0123 or 811.

Restoration of Work Area.

Add the following article to Section 801 of the Standard Specifications:

801.17 Restoration of work area. Restoration of the traffic signal work area shall be included in the related pay items such as foundation, conduit, handhole, underground raceways, etc. All roadway surfaces such as shoulders, medians, sidewalks, pavement, etc. shall be replaced in kind. All damage to mowed lawns shall be replaced with an approved sod, and all damage to unmowed fields shall be seeded. All brick pavers disturbed in the work area shall be restored to their original configuration as directed by the Engineer. All damaged brick pavers shall be replaced with a comparable material approved by the Engineer. Restoration of the work area shall be included in the contract without any extra compensation allowed to the Contractor.

Bagging Signal Heads.

Light tan colored traffic and pedestrian signal reusable covers shall be used to cover dark/unenergized signal sections and visors. Covers shall be made of outdoor fabric with urethane coating for repelling water, have elastic fully sewn around the cover ends for a tight fit over the visor, and have a minimum of two straps with buckles to secure the cover to the backplate. A center mesh strip allows viewing without removal for signal status testing purposes. Covers shall include a message indicating the signal is not in service.

OPTIMIZE TRAFFIC SIGNAL SYSTEM

Effective: May 22, 2002

Revised: July 1, 2015

800.02TS

Description.

This work shall consist of optimizing a closed loop traffic signal system.

OPTIMIZE TRAFFIC SIGNAL SYSTEM applies when a new or existing closed loop traffic signal system is to be optimized and a formal Signal Coordination and Timing (SCAT) Report is to be prepared. The purpose of this work is to improve system performance by optimizing traffic signal timings, developing a time of day program and a traffic responsive program.

After the signal improvements are completed, the signal system shall be optimized as specified by an approved Consultant who has previous experience in optimizing Closed Loop Traffic Signal Systems for District One of the Illinois Department of Transportation. The Contractor shall contact the Traffic Signal Engineer at (847) 705-4424 for a listing of approved Consultants. Traffic signal system optimization work, including fine-tuning adjustments of the optimized system, shall follow the requirements stated in the most recent IDOT District 1 SCAT Guidelines, except as noted herein.

A listing of existing signal equipment, interconnect information, phasing data, and timing patterns may be obtained from the Department, if available and as appropriate. The existing SCAT Report is available for review at the District One office and if the Consultant provides blank a CD, copies of computer simulation files for the existing optimized system and a timing database that includes intersection displays will be made for the Consultant. The Consultant shall confer with the Traffic Signal Engineer prior to optimizing the system to determine if any extraordinary conditions exist that would affect traffic flows in the vicinity of the system, in which case, the Consultant may be instructed to wait until the conditions return to normal or to follow specific instructions regarding the optimization.

- (a) The following tasks are associated with OPTIMIZE TRAFFIC SIGNAL SYSTEM.
1. Appropriate signal timings and offsets shall be developed for each intersection and appropriate cycle lengths shall be developed for the closed loop signal system.
 2. Traffic counts shall be taken at all intersections after the permanent traffic signals are approved for operation by the Area Traffic Signal Operations Engineer. Manual turning movement counts shall be conducted from 6:30 a.m. to 9:30 a.m., 11:00 a.m. to 1:00 p.m., and 3:30 p.m. to 6:30 p.m. on a typical weekday from midday Monday to midday Friday and on a Saturday or Sunday, as directed by the Engineer, to account for special traffic generators such as shopping centers, educational institutes and special event facilities. The turning movement counts shall identify cars, and single-unit and multi-unit heavy vehicles.

3. As necessary, the intersections shall be re-addressed and all system detectors reassigned in the master controller according to the current standard of District One.
 4. A traffic responsive program shall be developed, which considers both volume and occupancy. A time-of-day program shall be developed for used as a back-up system.
 5. Proposed signal timing plan for the new or modified intersection shall be forwarded to IDOT for review prior to implementation.
 6. Consultant shall conduct on-site implementation of the timings and make fine-tuning adjustments to the timings in the field to alleviate observed adverse operating conditions and to enhance operations. The consultant shall respond to IDOT comments and public complaints for a minimum period of 90 days from date of timing plan implementation.
 7. Speed and delay studies shall be conducted during each of the count periods along the system corridor in the field before and after implementation of the proposed timing plans for comparative evaluations. These studies should utilize specialized electronic timing and measuring devices.
- (b) The following deliverables shall be provided for OPTIMIZE TRAFFIC SIGNAL SYSTEM.
1. Consultant shall furnish to IDOT one (1) copy of a SCAT Report for the optimized system. The SCAT Report shall include the following elements:

Cover Page in color showing a System Map
Figures <ol style="list-style-type: none"> 1. System overview map – showing system number, system schematic map with numbered system detectors, oversaturated movements, master location, system phone number, cycle lengths, and date of completion. 2. General location map in color – showing signal system location in the metropolitan area. 3. Detail system location map in color – showing cross street names and local controller addresses. 4. Controller sequence – showing controller phase sequence diagrams.
Table of Contents
Tab 1: Final Report <ol style="list-style-type: none"> 1. Project Overview 2. System and Location Description (Project specific) 3. Methodology 4. Data Collection 5. Data Analysis and Timing Plan Development 6. Implementation <ol style="list-style-type: none"> a. Traffic Responsive Programming (Table of TRP vs. TOD Operation) with am, md, and pm cycle lengths 7. Evaluation <ol style="list-style-type: none"> a. Speed and Delay runs
Tab 2. Turning Movement Counts <ol style="list-style-type: none"> 1. Turning Movement Counts (Showing turning movement counts in the intersection diagram for each period, including truck percentage)
Tab 3. Synchro Analysis <ol style="list-style-type: none"> 1. AM: Time-Space diagram in color, followed by intersection Synchro report (Timing report) summarizing the implemented timings. 2. Midday: same as AM 3. PM: same as AM 4. Special weekend or off-peak traffic generators (shopping centers, educational facilities, arenas, etc.): same as AM
Tab 4: Speed, Delay Studies <ol style="list-style-type: none"> 1. Summary of before and after runs results in two (2) tables showing travel time and delay time. 2. Plot of the before and after runs diagram for each direction and time period.
Tab 5: Environmental Report <ol style="list-style-type: none"> 1. Environmental impact report including gas consumption, NO₂, HCCO, improvements.

Tab 6: Electronic Files

1. Two (2) CDs for the optimized system. The CDs shall include the following elements:
 - a. Electronic copy of the SCAT Report in PDF format
 - b. Copies of the Synchro files for the optimized system
 - c. Traffic counts for the optimized system
 - d. New or updated intersection graphic display files for each of the system intersections and the system graphic display file including system detector locations and addresses.

Basis of Payment.

The work shall be paid for at the contract unit each for OPTIMIZE TRAFFIC SIGNAL SYSTEM, which price shall be payment in full for performing all work described herein for the entire traffic signal system. Following the completion of traffic counts, 25 percent of the bid price will be paid. Following the completion of the Synchro analysis, 25 percent of the bid price will be paid. Following the setup and fine tuning of the timings, the speed-delay study, and the TRP programming, 25 percent of the bid price will be paid. The remaining 25 percent will be paid when the system is working to the satisfaction of the engineer and an approved report and CD have been submitted.

SERVICE INSTALLATION (TRAFFIC SIGNALS)

Effective: May 22, 2002

Revised: June 15, 2016

805.01TS

Revise Section 805 of the Standard Specifications to read:

Description.

This work shall consist of all materials and labor required to install, modify, or extend the electric service installation. All installations shall meet the requirements of the "District One Standard Traffic Signal Design Details".

General.

The electric service installation shall be the electric service disconnecting means and it shall be identified as suitable for use as service equipment.

The electric utility contact information is noted on the plans and represents the current information at the time of contract preparation. The Contractor must request in writing for service and/or service modification within 10 days of contract award and must follow-up with the electric utility to assure all necessary documents and payment are received by the utility. The Contractor shall forward copies of all correspondence between the contractor and utility company to the Engineer and Area Traffic Signal Maintenance and Operations Engineer. The service agreement and sketch shall be submitted for signature to the IDOT's Traffic Operations Programs Engineer.

Materials.

- a. General. The completed control panel shall be constructed in accordance with UL Std. 508A, Industrial Control Panel, and carry the UL label. Wire terminations shall be UL listed.
- b. Enclosures.
 1. Pole Mounted Cabinet. The cabinet shall be UL 50, NEMA Type 4X, unfinished single door design, fabricated from minimum 0.080-inch (2.03 mm) thick Type 5052 H-32 aluminum. Seams shall be continuous welded and ground smooth. Stainless steel screws and clamps shall secure the cover and assure a watertight seal. The cover shall be removable by pulling the continuous stainless steel hinge pin. The cabinet shall have an oil-resistant gasket and a lock kit shall be provided with an internal O-ring in the locking mechanism assuring a watertight and dust-tight seal. The cabinet shall be sized to adequately house all required components with extra space for arrangement and termination of wiring. A minimum size of 14-inches (350 mm) high, 9-inches (225 mm) wide and 8-inches (200 mm) in depth is required. The cabinet shall be channel mounted to a wooden utility pole using assemblies recommended by the vendor.

2. Ground Mounted Cabinet. The cabinet shall be UL 50, NEMA Type 3R unfinished single door design with back panel. The cabinet shall be fabricated from Type 5052 H-32 aluminum with the frame and door 0.125-inch (3.175 mm) thick, the top 0.250-inch (6.350 mm) thick and the bottom 0.500-inch (12.70 mm) thick. Seams shall be continuous welded and ground smooth. The door and door opening shall be double flanged. The door shall be approximately 80% of the front surface, with a full length tamperproof stainless steel .075-inch (1.91 mm) thick hinge bolted to the cabinet with stainless steel carriage bolts and nylocks nuts. The locking mechanism shall be slam-latch type with a keyhole cover. The cabinet shall be sized to adequately house all required components with extra space for arrangement and termination of wiring. A minimum size of 40-inches (1000 mm) high, 16-inches (400 mm) wide and 15-inches (375 mm) in depth is required. The cabinet shall be mounted upon a square Type A concrete foundation as indicated on the plans. The foundation is paid for separately.
 3. All enclosures shall include a green external power indicator LED light with circuitry as shown in the Electrical Service-Panel Diagram detail sheet. For pole mounted service enclosures, the power indicator light shall be mounted as shown in the detail. For ground mounted enclosures, the power indicator light shall be mounted on the side of the enclosure most visible from the major roadway.
- c. Electric Utility Meter Housing and Riser. The electric meter housing and meter socket shall be supplied and installed by the contractor. The contractor is to coordinate the work to be performed and the materials required with the utility company to make the final connection at the power source. Electric utility required risers, weather/service head and any other materials necessary for connection shall also be included in the pay item. Materials shall be in accordance with the electric utility's requirements. For ground-mounted service, the electric utility meter housing shall be mounted to the enclosure. The meter shall be supplied by the utility company. Metered service shall not be used unless specified in the plans.
 - d. Surge Protector. Overvoltage protection, with LED indicator, shall be provided for the 120 volt load circuit by the means MOV and thermal fusing technology. The response time shall be <5n seconds and operate within a range of -40C to +85C. The surge protector shall be UL 1449 Listed.
 - e. Circuit Breakers. Circuit breakers shall be standard UL listed molded case, thermal-magnetic bolt-on type circuit breakers with trip free indicating handles. 120 volt circuit breakers shall have an interrupting rating of not less than 65,000 rms symmetrical amperes. Unless otherwise indicated, the main disconnect circuit breaker for the traffic signal controller shall be rated 60 amperes, 120 V and the auxiliary circuit breakers shall be rated 10 amperes, 120 V.

- f. Fuses, Fuseholders and Power Indicating Light. Fuses shall be small-dimensional cylindrical fuses of the dual element time-delay type. The fuses shall be rated for 600 V AC and shall have a UL listed interrupting rating of not less than 10,000 rms symmetrical amperes at rated voltage. The power indicating light shall be LED type with a green colored lens and shall be energized when electric utility power is present.
- g. Ground and Neutral Bus Bars. A single copper ground and neutral bus bar, mounted on the equipment panel shall be provided. Ground and neutral conductors shall be separated on the bus bar. Compression lugs, plus 2 spare lugs, shall be sized to accommodate the cables with the heads of the connector screws painted green for ground connections and white for neutral connections.
- h. Utility Services Connection. The Contractor shall notify the Utility Company marketing representative a minimum of 30 working days prior to the anticipated date of hook-up. This 30 day advance notification will begin only after the Utility Company marketing representative has received service charge payments from the Contractor. Prior to contacting the Utility Company marketing representative for service connection, the service installation controller cabinet and cable must be installed for inspection by the Utility Company.
- i. Ground Rod. Ground rods shall be copper-clad steel, a minimum of 10 feet (3.0m) in length, and 3/4 inch (20mm) in diameter. Ground rod resistance measurements to ground shall be 25 ohms or less. If necessary additional rods shall be installed to meet resistance requirements at no additional cost to the contract.

Installation.

- a. General. The Contractor shall confirm the orientation of the traffic service installation and its door side with the engineer, prior to installation. All conduit entrances into the service installation shall be sealed with a pliable waterproof material.
- b. Pole Mounted. Brackets designed for pole mounting shall be used. All mounting hardware shall be stainless steel. Mounting height shall be as noted on the plans or as directed by the Engineer.
- c. Ground Mounted. The service installation shall be mounted plumb and level on the foundation and fastened to the anchor bolts with hot-dipped galvanized or stainless steel nuts and washers. The space between the bottom of the enclosure and the top of the foundation shall be caulked at the base with silicone.

Basis of Payment.

The service installation shall be paid for at the contract unit price each for SERVICE INSTALLATION of the type specified which shall be payment in full for furnishing and installing the service installation complete. The CONCRETE FOUNDATION, TYPE A, which includes the ground rod, shall be paid for separately. SERVICE INSTALLATION, POLE

Rand Road (FAP 334), Central Road (FAU 1300),
Mount Prospect Road (FAU 1300)
Village of Mount Prospect
Contract No. 61H44
Section No. 17-00166-00-CH
Cook County

MOUNTED shall include the 3/4-inch (20mm) grounding conduit, ground rod, and pole mount assembly. Any charges by the utility companies shall be approved by the engineer and paid for as an addition to the contract according to Article 109.05 of the Standard Specifications.

GROUNDING OF TRAFFIC SIGNAL SYSTEMS

Effective: May 22, 2002
Revised: July 1, 2015
806.01TS

Revise Section 806 of the Standard Specifications to read:

General.

All traffic signal systems, equipment and appurtenances shall be properly grounded in strict conformance with the NEC. This work shall be in accordance with IDOT's District One Traffic Signal Design Details.

The grounding electrode system shall include a ground rod installed with each traffic signal controller concrete foundation and all mast arm and post concrete foundations. An additional ground rod will be required at locations where measured resistance exceeds 25 ohms. Ground rods are included in the applicable concrete foundation or service installation pay item and will not be paid for separately.

Testing shall be according to Article 801.13 (a) (4) and (5).

- (a) The grounded conductor (neutral conductor) shall be white color coded. This conductor shall be bonded to the equipment grounding conductor only at the Electric Service Installation. All power cables shall include one neutral conductor of the same size.
- (b) The equipment grounding conductor shall be green color coded. The following is in addition to Article 801.04 of the Standard Specifications.
 - 1. Equipment grounding conductors shall be bonded to the grounded conductor (neutral conductor) only at the Electric Service Installation. The equipment grounding conductor is paid for separately and shall be continuous. The Earth shall not be used as the equipment grounding conductor.
 - 2. Equipment grounding conductors shall be bonded, using a UL Listed grounding connector, to all traffic signal mast arm poles, traffic signal posts, pedestrian posts, pull boxes, handhole frames and covers, conduits, and other metallic enclosures throughout the traffic signal wiring system, except where noted herein. Bonding shall be made with a splice and pigtail connection, using a sized compression type copper sleeve, sealant tape, and heat-shrinkable cap. A UL listed electrical joint compound shall be applied to all conductors' terminations, connector threads and contact points. Conduit grounding bushings shall be installed at all conduit terminations including spare or empty conduits.
 - 3. All metallic and non-metallic raceways shall have a continuous equipment grounding conductor, except raceways containing only detector loop lead-in circuits, circuits under

50 volts and/or fiber optic cable will not be required to include an equipment grounding conductor.

4. Individual conductor splices in handholes shall be soldered and sealed with heat shrink. When necessary to maintain effective equipment grounding, a full cable heat shrink shall be provided over individual conductor heat shrinks.
- (c) The grounding electrode conductor shall be similar to the equipment grounding conductor in color coding (green) and size. The grounding electrode conductor is used to connect the ground rod to the equipment grounding conductor and is bonded to ground rods via exothermic welding, UL listed pressure connectors, and UL listed clamps.

COILABLE NON-METALLIC CONDUIT

Effective: May 22, 2002

Revised: July 1, 2015

810.01TS

Description.

This work shall consist of furnishing and installing empty coilable non-metallic conduit (CNC).

General.

The CNC installation shall be in accordance with Sections 810 and 811 of the Standard Specifications except for the following:

Add the following to Article 810.03 of the Standard Specifications:

CNC meeting the requirements of NEC Article 353 shall be used for detector loop raceways to the handholes.

Add the following to Article 811.03 of the Standard Specifications:

On temporary traffic signal installations with detector loops, CNC meeting the requirements of NEC Article 353 shall be used for detector loop raceways from the saw-cut to 10 feet (3m) up the wood pole, unless otherwise shown on the plans

Basis of Payment.

All installations of CNC for loop detection shall be included in the contract and not paid for separately.

UNDERGROUND RACEWAYS

Effective: May 22, 2002

Revised: July 1, 2015

810.02TS

Revise Article 810.04 of the Standard Specifications to read:

“Installation. All underground conduits shall have a minimum depth of 30-inches (700 mm) below the finished grade.”

Add the following to Article 810.04 of the Standard Specifications:

“All metal conduit installed underground shall be Rigid Steel Conduit unless otherwise indicated on the plans.”

Add the following to Article 810.04 of the Standard Specifications:

“All raceways which extend outside of a structure or duct bank but are not terminated in a cabinet, junction box, pull box, handhole, post, pole, or pedestal shall extend a minimum of 300 mm (12”) or the length shown on the plans beyond the structure or duct bank. The end of this extension shall be capped and sealed with a cap designed for the conduit to be capped.

The ends of rigid metal conduit to be capped shall be threaded, the threads protected with full galvanizing, and capped with a threaded galvanized steel cap.

The ends of rigid nonmetallic conduit and coilable nonmetallic conduit shall be capped with a rigid PVC cap of not less than 3 mm (0.125”) thick. The cap shall be sealed to the conduit using a room-temperature-vulcanizing (RTV) sealant compatible with the material of both the cap and the conduit. A washer or similar metal ring shall be glued to the inside center of the cap with epoxy, and the pull cord shall be tied to this ring.”

ROD AND CLEAN EXISTING CONDUIT

Effective: January 1, 2015

Revised: July 1, 2015

810.03TS

Description.

This work shall consist of inserting a duct rod or electrical fish rod or tape of sufficient length and rigidity into an electrical conduit opening in one electrical handhole, and pushing the said rod through the conduit to emerge at the next or subsequent handhole in the conduit system at the location(s) shown on the plans. The duct rod may be inserted and removed by any standard construction method which causes no damage to the conduit. The size of the conduit may vary, but there shall be no differentiation in cost for the size of the conduit.

The conduit which is to be rodded and cleaned may exist with various amounts of standing water in the handholes to drain the conduit and to afford compatible working conditions for the installation of the duct rods and/or cables. Pumping of handholes shall be included with the work of rodding and cleaning of the conduit.

Any handhole which, in the opinion of the Engineer contains excessive debris, dirt or other materials to the extent that conduit rodding and cleaning is not feasible, shall be cleaned at the Engineer's order and payment approval as a separate pay item.

Prior to removal of the duct rod, a duct cleaning attachment such as a properly sized wire brush or cleaning mandrel shall be attached to the duct rod, which by removal of the duct rod shall be pulled through the conduit to remove sand, grit, or other light obstructions from the duct to provide a clean, clear passage for the installation of cable. Whenever the installation of cables is not performed as an adjunct to or immediately following the cleaning of the duct, a light weight pulling line such as a 1/8" polyethylene line or conduit measuring tape shall be placed and shall remain in the conduit to facilitate future work. When great difficulty of either inserting the duct rod or removal of the cleaning mandrel is encountered, the duct may require further cleaning by use of a compressed air gun, or a low pressure water hose. In the case of a broken conduit, the conduit must be excavated and repaired. The existence and location of breaks in the conduit may be determined by rodding, but the excavation and repair work required will be paid for separately.

This work shall be measured per lineal foot for each conduit cleaned. Measurements shall be made from point to point horizontally. No vertical rises shall count in the measurement.

Basis of Payment.

This work shall be paid for at the contract unit price per lineal foot for ROD AND CLEAN EXISTING CONDUIT for the installation of new electric cables in existing conduits. Such price shall include the furnishing of all necessary tools, equipment, and materials required to prepare a conduit for the installation of cable.

HANDHOLES

Effective: January 01, 2002

Revised: July 1, 2018

814.01TS

Description.

Add the following to Section 814 of the Standard Specifications:

All conduits shall enter the handhole at a depth of 30 inches (762 mm) except for the conduits for detector loops when the handhole is less than 5 feet (1.52 m) from the detector loop. All conduit ends should be sealed with a waterproof sealant to prevent the entrance of contaminants into the handhole.

Steel cable hooks shall be coated with hot-dipped galvanization in accordance with AASHTO Specification M111. Hooks shall be a minimum of 1/2 inch (13 mm) diameter with two 90-degree bends and extend into the handhole at least 6 inches (152 mm). Hooks shall be placed a minimum of 12 inches (305 mm) below the lid or lower if additional space is required.

Precast round handholes shall not be used unless called out on the plans.

The cover of the handhole frame shall be labeled "Traffic Signals" with legible raised letters. Only handholes serving IDOT traffic signal equipment shall have this label. Handhole covers for Red Light Running Cameras shall be labeled "RLRC".

Revise the third paragraph of Article 814.03 of the Standard Specifications to read:

"Handholes shall be constructed as shown on the plans and shall be cast-in-place, or precast concrete units. Heavy duty handholes shall be either cast-in-place or precast concrete units."

Add the following to Article 814.03 of the Standard Specifications:

"(c) Precast Concrete. Precast concrete handholes shall be fabricated according to Article 1042.17. Where a handhole is contiguous to a sidewalk, preformed joint filler of 1/2 inch (13 mm) thickness shall be placed between the handhole and the sidewalk."

Cast-In-Place Handholes.

All cast-in-place handholes shall be concrete, with inside dimensions of 21-1/2 inches (546 mm) minimum. Frames and lid openings shall match this dimension.

For grounding purposes, the handhole frame shall have provisions for a 7/16-inch (11 mm) diameter stainless steel bolt cast into the frame. The covers shall have a stainless-steel threaded stint extended from the eye hook assembly for the purpose of attaching the grounding conductor to the handhole cover.

The minimum wall thickness for heavy duty hand holes shall be 12 inches (305mm).

Precast Round Handholes.

All precast handholes shall be concrete, with inside dimensions of 30 inches (762mm) diameter. Frames and covers shall have a minimum opening of 26 inches (660mm) and no larger than the inside diameter of the handhole.

For grounding purposes, the handhole frame shall have provisions for a 7/16-inch (11 mm) diameter stainless steel bolt cast into the frame. For the purpose of attaching the grounding conductor to the handhole cover, the covers shall either have a 7/16-inch (11 mm) diameter stainless steel bolt cast into the cover or a stainless-steel threaded stint extended from an eye hook assembly. A hole may be drilled for the bolt if one cannot be cast into the frame or cover. The head of the bolt shall be flush or lower than the top surface of the cover.

The minimum wall thickness for precast heavy duty hand holes shall be 6 inches (152 mm).

Precast round handholes shall be only produced by an approved precast vendor.

Materials.

Add the following to Section 1042 of the Standard Specifications:

“1042.17 Precast Concrete Handholes. Precast concrete handholes shall be according to Articles 1042.03(a)(c)(d)(e).”

HANDHOLES

This work shall be completed in accordance with the “Handholes” special provision above, (Effective: January 01, 2002, Revised: July 1, 2018) except that the proposed handholes at the Village of Mount Prospect owned and maintained intersection of Central Road at SE Plaza Entrance shall be labeled “Traffic Signals” with legible raised letters.

CONDUIT SPLICE

Description: This work shall consist of locating and intercepting the existing conduit/unit duct at locations as shown on the plans or as directed by the Engineer. The contractor shall locate the conduit, cut the conduit, and make any preparations to the existing conduit in order to connect the proposed conduit.

Construction Requirements: This pay item shall include necessary work to splice conduit as shown on the plans. This work shall conform to Section 810 of the IDOT "Standard Specifications for Road and Bridge Construction".

The existing conduits shall be exposed and cut at the location shown on the plans, or as directed by the Engineer. The end of existing steel conduits shall be threaded, and a threaded coupling used to join the existing conduit to the new conduit. The use of no-thread couplings is unacceptable.

For (HDPE) unit duct, the splice shall be waterproof made with a clamp on type coupler made from HDPE with corrosion resistant stainless steel band clamps and locking rings. The coupler shall be UL listed for underground HDPE conduit connections in wet locations. Prior to splicing, the ends of the conduits shall be beveled per the Manufacturers installation requirements.

Basis of Payment: This work shall be paid for at the contract unit price each for CONDUIT SPLICE which shall include all connections, materials, and labor, necessary to locate the existing conduit, prepare the existing conduit for connection to the new galvanized steel or HDPE conduit, and the threaded coupling. New conduit shall be paid for separately.

FIBER OPTIC TRACER CABLE

Effective: May 22, 2002
Revised: July 1, 2015
817.02TS

The cable shall meet the requirements of Section 817 of the Standard Specifications, except for the following:

Add the following to Article 817.03 of the Standard Specifications:

In order to trace the fiber optic cable after installation, the tracer cable shall be installed in the same conduit as the fiber optic cable in locations shown on the plans. The tracer cable shall be continuous, extended into the controller cabinet and terminated on a barrier type terminal strip mounted on the side wall of the controller cabinet. The barrier type terminal strip and tracer cable shall be clearly marked and identified. All tracer cable splices shall be kept to a minimum and shall incorporate maximum lengths of cable supplied by the manufacturer. The tracer cable will be allowed to be spliced at handholes only. The tracer cable splice shall use a Western Union Splice soldered with resin core flux and shall be soldered using a soldering iron. Blow torches or other devices which oxidize copper cable shall not be allowed for soldering operations. All exposed surfaces of the solder shall be smooth. The splice shall be covered with a black shrink tube meeting UL 224 guidelines, Type V and rated 600V, minimum length 4 inches (100 mm) and with a minimum 1 inch (25 mm) coverage over the XLP insulation, underwater grade.

Add the following to Article 817.05 of the Standard Specifications:

Basis of Payment.

The tracer cable shall be paid for separately as ELECTRIC CABLE IN CONDUIT, TRACER, NO. 14 1C per foot (meter), which price shall include all associated labor and material for installation.

MODIFY EXISTING CONTROLLER AND CABINET

Description: This work shall consist of modifying the existing controller and cabinet to change the existing signal controller sequence to the proposed sequence of operation as shown on the plans. This includes making all necessary modifications to the controller and cabinet to achieve the proposed signal controller sequence, phasing operation, pedestrian actuations, and video vehicle detection as shown on the plans.

General: The work shall be in accordance with Sections 857, 863, 873, and 895 of the Standard Specifications and shall include all necessary wiring, hardware, and modifications to the existing controller and cabinet to implement the proposed signal phasing and video vehicle detection at the intersection as shown on the plans. All necessary materials, parts, and labor required for modifying the controller and cabinet to accommodate proposed signal phasing and video vehicle detection, including load switches, field wiring, shall be considered included in this pay item.

Basis of Payment: This work will be paid for at the contract unit price each for MODIFY EXISTING CONTROLLER AND CABINET, which price shall be payment in full for furnishing all materials, hardware, wiring, and labor required to modify the existing controller cabinet necessary for proper operation of the proposed sequence of operations and video vehicle detection to the satisfaction of the Engineer.

**MAINTENANCE OF EXISTING TRAFFIC SIGNAL AND FLASHING BEACON
INSTALLATION**

Effective: May 22, 2002

Revised: July 1, 2015

850.01TS

General.

1. Full maintenance responsibility shall start as soon as the Contractor begins any physical work on the Contract or any portion thereof. If Contract work is started prior to a traffic signal inspection, maintenance of the traffic signal installation(s) will be transferred to the Contractor without an inspection.
2. The Contractor shall have electricians with IMSA Level II certification on staff to provide signal maintenance. A copy of the certification shall be immediately available upon request of the Engineer.
3. This item shall include maintenance of all traffic signal equipment and other connected and related equipment such as flashing beacons, emergency vehicle pre-emption equipment, master controllers, uninterruptable power supply (UPS and batteries), PTZ cameras, vehicle detection, handholes, lighted signs, telephone service installations, communication cables, conduits to adjacent intersections, and other traffic signal equipment.
4. Regional transit, County and other agencies may also have equipment connected to existing traffic signal or peripheral equipment such as PTZ cameras, switches, transit signal priority (TSP and BRT) servers, radios and other devices that shall be included with traffic signal maintenance at no additional cost to the contract.
5. Maintenance shall not include Automatic Traffic Enforcement equipment, such as Red Light Enforcement cameras, detectors, or peripheral equipment. This equipment is operated and maintained by the local municipality and should be de-activated while on contractor maintenance.
6. The energy charges for the operation of the traffic signal installation shall be paid for by the Contractor.

Maintenance.

1. The Contractor shall check all controllers every two (2) weeks, which will include visually inspecting all timing intervals, relays, detectors, and pre-emption equipment to ensure that they are functioning properly. The Contractor shall check signal system communications and phone lines to assure proper operation. This item includes, as routine maintenance, all portions of emergency vehicle pre-emption equipment. The Contractor shall maintain in stock at all times a sufficient amount of materials and equipment to provide effective temporary and permanent repairs. Prior to the traffic signal maintenance transfer, the contractor shall supply a detailed maintenance schedule that includes dates, locations, names of electricians providing the required checks and inspections along with any other information requested by the Engineer.

2. The Contractor is advised that the existing and/or span wire traffic signal installation must remain in operation during all construction stages, except for the most essential down time. Any shutdown of the traffic signal installation, which exceeds fifteen (15) minutes, must have prior approval of the Engineer. Approval to shut down the traffic signal installation will only be granted during the period extending from 10:00 a.m. to 3:00 p.m. on weekdays. Shutdowns shall not be allowed during inclement weather or holiday periods.
3. The Contractor shall provide immediate corrective action when any part or parts of the system fail to function properly. Two far side heads facing each approach shall be considered the minimum acceptable signal operation pending permanent repairs. When repairs at a signalized intersection require that the controller be disconnected or otherwise removed from normal operation, and power is available, the Contractor shall place the traffic signal installation on flashing operation. The signals shall flash RED for all directions unless a different indication has been specified by the Engineer. The Contractor shall be required to place stop signs (R1-1-36) at each approach of the intersection as a temporary means of regulating traffic. When the signals operate in flash, the Contractor shall furnish and equip all their vehicles assigned to the maintenance of traffic signal installations with a sufficient number of stop signs as specified herein. The Contractor shall maintain a sufficient number of spare stop signs in stock at all times to replace stop signs which may be damaged or stolen.
4. The Contractor shall provide the Engineer with 2 (two) 24-hour telephone numbers for the maintenance of the traffic signal installation and for emergency calls by the Engineer.
5. Traffic signal equipment which is lost or not returned to the Department for any reason shall be replaced with new equipment meeting the requirements of the Standard Specifications and these special provisions.
6. The Contractor shall respond to all emergency calls from the Department or others within one (1) hour after notification and provide immediate corrective action. When equipment has been damaged or becomes faulty beyond repair, the Contractor shall replace it with new and identical equipment. The cost of furnishing and installing the replaced equipment shall be borne by the Contractor at no additional charge to the contract. The Contractor may institute action to recover damages from a responsible third party. If at any time the Contractor fails to perform all work as specified herein to keep the traffic signal installation in proper operating condition or if the Engineer cannot contact the Contractor's designated personnel, the Engineer shall have the State's Electrical Maintenance Contractor perform the maintenance work. The Contractor shall be responsible for all of the State's Electrical Maintenance Contractor's costs and liquidated damages of \$1000 per day per occurrence. The State's Electrical Maintenance Contractor shall bill the Contractor for the total cost of the work. The Contractor shall pay this bill within thirty (30) days of the date of receipt of the invoice, or the cost of such work will be deducted from the amount due the Contractor. The Contractor shall allow the Electrical Maintenance Contractor to make reviews of the Existing Traffic Signal Installation that has been transferred to the Contractor for Maintenance.

7. Any proposed activity in the vicinity of a highway-rail grade crossing must adhere to the guidelines set forth in the current edition of the Manual on Uniform Traffic Control Devices (MUTCD) regarding work in temporary traffic control zones in the vicinity of highway-rail grade crossings which states that lane restrictions, flagging, or other operations shall not create conditions where vehicles can be queued across the railroad tracks. If the queuing of vehicles across the tracks cannot be avoided, a uniformed law enforcement officer or flagger shall be provided at the crossing to prevent vehicles from stopping on the tracks, even if automatic warning devices are in place.
8. Equipment included in this item that is damaged or not operating properly from any cause shall be replaced with new equipment meeting current District One traffic signal specifications and provided by the Contractor at no additional cost to the Contract and/or owner of the traffic signal system, all as approved by the Engineer. Final replacement of damaged equipment must meet the approval of the Engineer prior to or at the time of final inspection otherwise the traffic signal installation will not be accepted. Cable splices outside the controller cabinet shall not be allowed.
9. Automatic Traffic Enforcement equipment, such as Red Light Enforcement cameras, detectors, and peripheral equipment, damaged or not operating properly from any cause, shall be the responsibility of the municipality or the Automatic Traffic Enforcement Company per Permit agreement.
10. The Contractor shall be responsible to clear snow, ice, dirt, debris or other condition that obstructs visibility of any traffic signal display or access to traffic signal equipment.
11. The Contractor shall maintain the traffic signal in normal operation during short or long term loss of utility or battery back-up power at critical locations designated by the Engineer. Critical locations may include traffic signals interconnected to railroad warning devices, expressway ramps, intersection with an SRA route, critical corridors or other locations identified by the Engineer. Temporary power to the traffic signal must meet applicable NEC and OSHA guidelines and may include portable generators and/or replacement batteries. Temporary power to critical locations shall not be paid for separately but shall be included in the contract.
12. Temporary replacement of damaged or knockdown of a mast arm pole assembly shall require construction of a full or partial span wire signal installation or other method approved by the Engineer to assure signal heads are located overhead and over traveled pavement. Temporary replacement of mast arm mount signals with post mount signals will not be permitted.

Basis of Payment.

This work will be paid for at the contract unit price per each for MAINTENANCE OF EXISTING TRAFFIC SIGNAL INSTALLATION. Each intersection will be paid for separately. Maintenance of a standalone and or not connected flashing beacon shall be paid for at the contract unit price for MAINTENANCE OF EXISITNG FLASHING BEACON INSTALLATION. Each flashing beacon will be paid for separately.

TRAFFIC SIGNAL PAINTING

Description.

This work shall include surface preparation, powder coated finish application and packaging of new galvanized steel traffic signal mast arm poles and posts assemblies. All work associated with applying the painted finish shall be performed at the vendor's facility for the pole assembly or post or at a painting facility approved by the Engineer. Traffic signal mast arm shrouds and post bases shall also be painted the same color as the pole assemblies and posts.

Surface Preparation.

All weld flux and other contaminants shall be mechanically removed. The traffic mast arms and post assemblies shall be degreased, cleaned, and air dried to assure all moisture is removed.

Painted Finish.

All galvanized exterior surfaces shall be coated with a urethane or triglycidyl isocyanurate (TGIC) polyester powder to a dry film thickness of 2.0 mils. Prior to application, the surface shall be mechanically etched by brush blasting (Ref. SSPC-SP7) and the zinc coated substrate preheated to 450 °F for a minimum one (1) hour. The coating shall be electrostatically applied and cured by elevating the zinc-coated substrate temperature to a minimum of 400 °F.

The finish paint color shall be one of the vendor's standard colors and shall be as selected by the local agency responsible for paint costs. The Contractor shall confirm, in writing, the color selection with the local responsible agency and provide a copy of the approval to the Engineer and a copy of the approval shall be included in the material catalog submittal.

Painting of traffic signal heads, pedestrian signal heads and controller cabinets is not included in this pay item.

Any damage to the finish after leaving the vendor's facility shall be repaired to the satisfaction of the Engineer using a method recommended by the vendor and approved by the Engineer. If while at the vendor's facility the finish is damaged, the finish shall be re-applied at no cost to the contract.

Warranty.

The Contractor shall furnish in writing to the Engineer, the paint vendor's standard warranty and certification that the paint system has been properly applied.

Packaging.

Prior to shipping, the poles and posts shall be wrapped in ultraviolet-inhibiting plastic foam or rubberized foam.

Basis of Payment.

This work shall be paid for at the contract unit price each for PAINT NEW MAST ARM AND POLE, UNDER 40 FEET (12.19 METER), PAINT NEW COMBINATION MAST ARM AND POLE WITH DUAL MAST ARMS, UNDER 40 FEET (12.19 METER), PAINT NEW MAST ARM AND POLE, 40 FEET (12.19 METER) AND OVER, PAINT NEW COMBINATION MAST ARM AND POLE, UNDER 40 FEET (12.19 METER), PAINT NEW COMBINATION MAST ARM AND POLE, 40 FEET (12.19 METER) AND OVER, or PAINT NEW TRAFFIC SIGNAL POST of the length specified, which shall be payment in full for painting and packaging the traffic signal mast arm poles and posts described above including all shrouds, bases and appurtenances.

FULL-ACTUATED CONTROLLER AND TYPE SUPER R CABINET (SPECIAL)

Description. This special provision for FULL-ACTUATED CONTROLLER AND TYPE SUPER R CABINET (SPECIAL) applies only for the new controller and cabinet located on Central Road, between Mount Prospect Road and US Route 12 (Rand Road). This work shall consist of furnishing, testing and installing a traffic actuated solid state digital controller in a new Super R controller cabinet, meeting the requirements of Section 857 of the Standard Specifications, as modified herein, including malfunction management unit, load switches and flasher relays, with all necessary connections for proper operation.

If the intersection is part of an existing system and/or when specified in the plans, this work shall consist of furnishing and installing a(n) "Econolite" brand traffic actuated solid state controller.

Materials. Add the following to Article 857.02 of the Standard Specifications:

For installation as a stand-alone traffic signal, connected to a closed loop system or integrated into an advance traffic management system (ATMS), controllers shall be Econolite Cobalt (Graphics Edition) or Eagle/Siemens M60 unless specified otherwise on the plans or elsewhere on these specifications. Only controllers supplied by one of the District One approved closed loop equipment suppliers will be allowed. Unless specified otherwise on the plans or these specifications, the controller shall be of the most recent model and software version supplied by the equipment supplier at the time of the traffic signal TURN-ON. A removable controller data key shall also be provided. Individual load switches shall be provided for each vehicle, pedestrian, and right turn overlap phase. The controller shall prevent phases from being skipped during program changes and after all preemption events and shall inhibit simultaneous display of circular yellow and yellow arrow indications.

For integration into an ATMS such as Centracs, Tactics, or TransSuite, the controller shall have the latest version of NTCIP software installed. For operation prior to integration into an ATMS, the controller shall maintain existing close loop management communications.

The Contractor shall furnish and install a Signal Indication LED Display Board, and it shall be in accordance with the following requirements.

1. The display board shall show a schematic of all the triangle intersection approaches for all three triangle intersections. The diagram shall be oriented with north in the same direction as north in the field from the signal technician's point of view.
2. Red, yellow, and green LEDs shall be provided for each corresponding vehicular intersection approach signal indications with the corresponding signal phases indicated for each movement. A white LED shall be provided for each pedestrian walk indication and an orange LED shall be provided for each pedestrian don't walk indication. A green and yellow LED shall be utilized for the right turn overlap

indications with a right arrow indicated immediately adjacent to the LEDs representing the overlap indications.

3. A RED LED shall be provided for each preemptor, the LED shall be energized while the preemptor is active. The preemptors LEDs shall be numbered as programmed in the traffic signal controller.
4. The display board shall show the instantaneous output of the cabinet's load switches from the controller cabinet for all vehicular and pedestrian phase indications.
5. The display board shall be of a sturdy, weatherproof design, and be able to operate reliably in a traffic signal cabinet environment.
6. The display board shall be shelf-mountable and retractable, which will allow it to be viewed only when required by the traffic signal technician and/or maintenance personnel.
7. The display board shall have a power switch that is clearly marked with an "ON" and "OFF" position. When this switch is in the OFF position, all LEDs on the display board shall be de-energized. This switch shall no way affect the operation of traffic signal load switches, traffic signal controller and/or traffic signal operation.
8. The display board shall have a lamp test button or switch that when pushed or flipped to test illuminates all the LEDs on the board simultaneously.
9. The display board shall be connected to the cabinet panel with a plug and receptacle connector of the "pin and sleeve" type.

Prior to fabrication, the Contractor shall submit shop drawings detailing the appearance of the Signal Indication LED Display Board and mounting hardware required to attach it to the traffic signal cabinet shelf. The Engineer will review the shop drawings and furnish written approval or disapproval to the Contractor within 30 calendar days after receipt of the submittal. If the shop drawings are disapproved, the Contractor shall resubmit corrected shop drawings within 15 calendar days of receipt of disapproval.

Add the following to Article 1074.03 of the Standard Specifications:

- (a) (6) Cabinets shall be designed for NEMA TS2 Type 1 operation. All cabinets shall be pre-wired for a minimum of eight (8) phases of vehicular, four (4) phases of pedestrian and four (4) phases of overlap operation.
- (b) (1) Revise "conflict monitor" to read "Malfunction Management Unit"
- (b) (5) Cabinets – Provide 1/8" (3.2 mm) thick unpainted aluminum alloy 5052-H32. The surface shall be smooth, free of marks and scratches. All external hardware shall be stainless steel.
- (b) (6) Controller Harness – Provide a TS2 Type 2 "A" wired harness in addition to the TS2 Type 1 harness.
- (b) (7) Surge Protection – Shall be a 120VAC Single phase Modular filter Plug-in type, supplied from an approved vendor.
- (b) (8) BIU – shall be secured by mechanical means.

- (b) (9) Transfer Relays – Solid state or mechanical flash relays are acceptable.
- (b) (10) Switch Guards – All switches shall be guarded.
- (b) (11) Heating – One (1) 200 watt, thermostatically-controlled, electric heater.
- (b) (12) Lighting – One (1) LED Panel shall be placed inside the cabinet top panel and one (1) LED Panel shall be placed on each side of the pull-out drawer/shelf assembly located beneath the controller support shelf. The LED Panels shall be controlled by a door switch. The LED Panels shall be provided from an approved vendor.
- (b) (13) The cabinet shall be equipped with a pull-out drawer/shelf assembly. A 1 ½ inch (38mm) deep drawer shall be provided in the cabinet, mounted directly beneath the controller support shelf. The drawer shall have a hinged top cover and shall be capable of accommodating one (1) complete set of cabinet prints and manuals. This drawer shall support 50 lbs. (23 kg) in weight when fully extended. The drawer shall open and close smoothly. Drawer dimensions shall make maximum use of available depth offered by the controller shelf and be a minimum of 18 inches (610mm) wide.
- (b) (14) Plan & Wiring Diagrams – 12" x 15" (305mm x 406mm) moisture sealed container attached to door.
- (b) (15) Detector Racks – Fully wired and labeled for four (4) channels of emergency vehicle pre-emption and sixteen channels (16) of vehicular operation.
- (b) (16) Field Wiring Labels – All field wiring shall be labeled.
- (b) (17) Field Wiring Termination – Approved channel lugs required.
- (b) (18) Power Panel – Provide a nonconductive shield.
- (b) (19) Circuit Breaker – The circuit breaker shall be sized for the proposed load but shall not be rated less than 30 amps.
- (b) (20) Police Door – Provide wiring and termination for plug in manual phase advance switch.

The traffic signal cabinet shall be assembled only by an approved traffic signal equipment supplier. The controller and cabinet shall be new, built, tested, and approved by the controller equipment vendor, in the vendor's District One facility, prior to field installation. IDOT personnel shall be present during the testing at the vendor's facility. The vendor shall provide the technical equipment and assistance as required by the Engineer to fully test this equipment.

The Contractor will not be allowed to remove from operation any temporary traffic signal installations until the signal cabinet and controller tests are satisfactory to the Engineer / IDOT personnel at the vendor's facility. Once the Contractor has all the proposed traffic signal equipment installed and operational, the Contractor shall be available for testing in the field, with IDOT District One Bureau of Traffic personnel and as coordinated with the Engineer.

Basis of Payment. This work will be paid for at the contract unit price each for FULL-ACTUATED CONTROLLER AND TYPE SUPER R CABINET (SPECIAL).

Rand Road (FAP 334), Central Road (FAU 1300),
Mount Prospect Road (FAU 1300)
Village of Mount Prospect
Contract No. 61H44
Section No. 17-00166-00-CH
Cook County

THIS PAGE INTENTIONALLY LEFT BLANK

Rand Road (FAP 334), Central Road (FAU 1300),
Mount Prospect Road (FAU 1300)
Village of Mount Prospect
Contract No. 61H44
Section No. 17-00166-00-CH
Cook County

THIS PAGE INTENTIONALLY LEFT BLANK

Rand Road (FAP 334), Central Road (FAU 1300),
Mount Prospect Road (FAU 1300)
Village of Mount Prospect
Contract No. 61H44
Section No. 17-00166-00-CH
Cook County

THIS PAGE INTENTIONALLY LEFT BLANK

UNINTERRUPTABLE POWER SUPPLY, SPECIAL

Description. This special provision for the Uninterruptible Power Supply applies only for the controller cabinet located at on Central Road, between Mount Prospect Road and US Route 12 (Rand Road).

This work shall be in accordance with section 862 of the Standard Specification except as modified herein

Add the following to Article 862.01 of the Standard Specifications:

The UPS shall have the power capacity to provide normal operation of three (3) signalized intersections that utilizes all LED type signal head optics, for a minimum of six (6) hours.

Add the following to Article 862.02 of the Standard Specifications:

Materials shall be according to Article 1074.04 as modified in UNINTERRUPTABLE POWER SUPPLY, SPECIAL.

Add the following to Article 862.03 of the Standard Specifications:

A Super-R (Type V) cabinet is specified at this location, which will include an integrated battery cabinet within the (Super-R) traffic signal cabinet. If required by power capacity and run time requirements, an external battery cabinet shall be provided to house additional batteries, which shall be included in the cost for the (Super-R) traffic signal cabinet.

The UPS shall provide reliable emergency power to the traffic signals in the event of a power failure or interruption.

Revise Article 862.04 of the Standard Specifications to read:

Installation.

When a UPS is installed at a new signal cabinet and foundation, it shall be mounted as shown on the plans.

At locations where UPS is installed and an Emergency Vehicle Priority System is in use, any existing incandescent confirmation beacons shall be replaced with LED lamps in accordance with the District One Emergency Vehicle Priority System specification at no additional cost to the contract. A concrete apron shall be provided and be in accordance with Articles 424 and 202 of the Standard Specifications. The concrete apron shall also, follow the District 1 Standard Traffic Signal Design Detail, Type D for Ground Mounted Controller Cabinet and UPS Battery Cabinet.

This item shall include any required modifications to an existing traffic signal controller as a result of the addition of the UPS including the addition of alarms.

Materials.

Revise Article 1074.04(a)(1) of the Standard Specifications to read:

The UPS shall be line interactive or double conversion and provide voltage regulation and power conditioning when utilizing utility power. The UPS shall be sized appropriately for the intersection's normal traffic signal operating connected load plus 20 percent (20%) of the intersection's normal operating load. The total connected traffic signal load shall not exceed the published ratings for the UPS. The UPS shall provide a minimum of six (6) hours of normal operation run-time for signalized intersections with LED type signal head optics at 77 °F (25 °C) (minimum 1650 W/2000 W active output capacity, with 86 percent minimum inverter efficiency).

Revise the first paragraph of Article 1074.04(a)(3) of the Standard Specifications to read:

The UPS shall have a minimum of four (4) sets of normally open (NO) and normally closed (NC) single-pole double-throw (SPDT) relay contact closures, available on a panel mounted terminal block or locking circular connectors, rated at a minimum 120 V/1 A, and labeled so as to identify each contact according to the plans.

Revise Article 1074.04(a)(10) of the Standard Specifications to read:

The UPS shall be compatible with the District's approved traffic controller assemblies utilizing NEMA TS 1 or NEMA TS 2 controllers and cabinet components for full time operation.

Revise Article 1074.04(a)(17) of the Standard Specifications to read:

When the intersection is in battery backup mode, the UPS shall bypass all internal cabinet lights, ventilation fans, cabinet heaters, service receptacles, luminaires, any lighted street name signs, any automated enforcement equipment, and any other devices directed by the Engineer.

Revise Article 1074.04(b)(2)a of the Standard Specifications to read:

The inverter/charger and power transfer relay shall be installed inside the integrated battery cabinet and the manual bypass switch shall be installed inside the traffic signal cabinet except for the following:

For intersections requiring additional battery capacity due to a larger connected operating load, the installation of the inverter/charger and power transfer relay may be installed inside the traffic signal cabinet if ample physical space in the integrated battery cabinet is unavailable.

Revise Article 1074.04(b)(2)b of the Standard Specifications to read:

Batteries, inverter/charger and power transfer relay shall be housed in a separate NEMA Type 3R cabinet. The cabinet shall be Aluminum alloy, 5052-H32, 0.125-inch thick and have a natural mill finish.

Revise Article 1074.04(b)(2)c of the Standard Specifications to read:

No more than three batteries shall be mounted on individual shelves for a cabinet housing six or nine batteries and no more than four batteries per shelf for a cabinet housing eight batteries.

Revise Article 1074.04(b)(2)d of the Standard Specifications to read:

A minimum of three shelves shall be provided. Each shelf shall support a load of 198 lbs. (90 kg) minimum.

Revise Article 1074.04(b)(2)e of the Standard Specifications to read:

The battery cabinet housing shall have the following nominal outside dimensions: a width of 25 in. (785 mm), a depth of 16 in. (440 mm), and a height of 41 to 48 in. (1.1 to 1.3 m). Clearance between shelves shall be a minimum of 10 in. (250 mm).

End of paragraph 1074.04(b)(2)e

The door shall be equipped with a two-position doorstop, one a 90° and one at 120°.

Revise Article 1074.04(b)(2)g of the Standard Specifications to read:

The door shall open to the entire cabinet, have a neoprene gasket, an Aluminum continuous piano hinge with stainless steel pin, and a three-point locking system. The cabinets shall be provided with a main door lock which shall operate with a traffic industry conventional No. 2 key. Provisions for padlocking the door shall be provided.

Add the following to Article 1074.04(b)(2) of the Standard Specifications:

j. The battery cabinets shall have provisions for an external generator connection.

Add the following to Article 1074.04(c) of the Standard Specifications:

- (8) The UPS shall include a tip or kill switch installed in the battery cabinet, which shall completely disconnect power from the UPS when the switch is manually activated.
- (9) The UPS shall include standard RS-232 and internal Ethernet interface.
- (10) The UPS shall incorporate a flanged electric generator inlet for charging the batteries and operating the UPS. The generator connector shall be male type, twist-lock, rated

as 15A, 125VAC with a NEMA L5-15P configuration and weatherproof lift cover plate. Access to the generator inlet shall be from a secured weatherproof lift cover plate or behind a locked battery cabinet police panel.

- (11) The bypass switch shall include an internal power transfer relay that allows removal of the battery back-up unit, while the traffic signal is connected to utility power, without impacting normal traffic signal operation.

Revise Article 1074.04(d)(1) of the Standard Specifications to read:

Individual batteries shall be 12V type, 79 amp-hour minimum capacity at 20 hours, and shall be easily replaced and commercially available off the shelf.

Revise Article 1074.04(d)(2) of the Standard Specifications to read:

Batteries used for the UPS shall consist of a cumulative minimum rated capacity of 300 amp-hours.

Revise Article 1074.04(d)(3) of the Standard Specifications to read:

All batteries supplied in the UPS shall be either gel cell or AGM type, deep cycle, completely sealed, prismatic lead calcium based, silver alloy, valve regulated lead acid (VRLA) requiring no maintenance. All batteries in a UPS installation shall be the same type; mixing of gel cell and AGM types within a UPS installation is not permitted.

Revise Article 1074.04(d)(4) of the Standard Specifications to read:

Batteries shall be certified by the manufacturer to operate over a temperature range of -13 to 160 °F (-25 to + 71 °C) for gel cell batteries and -40 to 140 °F (-40 to + 60 °C) for AGM type batteries.

Add the following to Article 1074.04(d) of the Standard Specifications:

- (9) The UPS shall consist of an even number of batteries that are capable of maintaining normal operation of the signalized intersection for a minimum of six (6) hours. Calculations shall be provided showing the number of batteries of the type supplied that are needed to satisfy this requirement. A minimum of ~~four~~ twelve (12) batteries shall be provided.

- (10) Battery Heater mats shall be provided when gel cell type batteries are supplied.

Add the following to the Article 1074.04 of the Standard Specifications:

- (e) Warranty. The warranty for an uninterruptable power supply (UPS) and batteries (full replacement) shall cover a minimum of 5 years from date the equipment is placed in operation.

(f) Installation. Bypass switch shall completely disconnect the traffic signal cabinet from the utility provider.

(g) The UPS shall be set-up to run the traffic signal continuously, without going to a red flashing condition, when switched to battery power unless otherwise directed by the Engineer. The Contractor shall confirm set-up with the Engineer. The continuous operation mode when switched to battery may require modification to unit connections and these modifications are included in the unit price for this item.

Revise Article 862.05 of the Standard Specifications to read:

Basis of Payment.

This work will be paid for at the contract unit price per each for UNINTERRUPTABLE POWER SUPPLY, SPECIAL. Replacement of Emergency Vehicle Priority System confirmation beacons and any required modifications to the traffic signal controller shall be included in the cost of the UNINTERRUPTABLE POWER SUPPLY, SPECIAL.

FIBER OPTIC CABLE

Effective: May 22, 2002

Revised: July 1, 2015

871.01TS

Add the following to Article 871.01 of the Standard Specifications:

The Fiber Optic cable shall be installed in conduit or as specified on the plans.

Add the following to Article 871.02 of the Standard Specifications:

The control cabinet distribution enclosure shall be 24 Port Fiber Wall Enclosure, unless otherwise indicated on plans. The fiber optic cable shall provide twelve fibers per tube for the amount of fibers called for in the Fiber Optic Cable pay item in the Contract. Fiber Optic cable may be gel filled or have an approved water blocking tape.

Add the following to Article 871.04 of the Standard Specifications:

A minimum of six multimode fibers from each cable shall be terminated with approved mechanical connectors at the distribution enclosure. Fibers not being used shall be labeled "spare." Fibers not attached to the distribution enclosure shall be capped. A minimum of 13.0 feet (4m) of extra cable length shall be provided for controller cabinets. The controller cabinet extra cable length shall be stored as directed by the Engineer.

Add the following to Article 871.06 of the Standard Specifications:

The distribution enclosure and all connectors will be included in the cost of the fiber optic cable.

Testing shall be in accordance with Article 801.13(d). Electronic files of OTDR signature traces shall be provided in the Final project documentation with certification from the Contractor that attenuation of each fiber does not exceed 3.5 dB/km nominal at 850nm for multimode fiber and 0.4 bd/km nominal at 1300nm for single mode fiber.

ELECTRIC CABLE

Effective: May 22, 2002

Revised: July 1, 2015

873.01TS

Delete "or stranded, and No. 12 or" from the last sentence of Article 1076.04 (a) of the Standard Specifications.

Add the following to the Article 1076.04(d) of the Standard Specifications:

Service cable may be single or multiple conductor cable.

Rand Road (FAP 334), Central Road (FAU 1300),
Mount Prospect Road (FAU 1300)
Village of Mount Prospect
Contract No. 61H44
Section No. 17-00166-00-CH
Cook County

THIS PAGE INTENTIONALLY LEFT BLANK

EMERGENCY VEHICLE PRIORITY SYSTEM LINE SENSOR CABLE, NO. 20 3/C

Effective: January 1, 2013

Revised: July 1, 2015

873.03TS

This work shall consist of furnishing and installing lead-in cable for light detectors installed at existing and/or proposed traffic signal installations as part of an emergency vehicle priority system. The work includes installation of the lead-in cables in existing and/or new conduit. The electric cable shall be shielded and have (3) stranded conductors, colored blue, orange, and yellow with a stranded tinned copper drain wire. The cable shall meet the requirements of the vendor of the Emergency Vehicle Priority System Equipment.

Basis of Payment.

This work will be paid for at the contract unit price per foot for EMERGENCY VEHICLE PRIORITY SYSTEM LINE SENSOR CABLE, NO. 20 3/C, which price shall be payment in full for furnishing, installing and making all electrical connections necessary for proper operations.

TRAFFIC SIGNAL POST

Effective: May 22, 2002

Revised: July 14, 2021

875.01TS

Revise Article 1077.01 (c) of the Standard Specifications to read:

(c) Anchor Rods. The anchor rods shall be a minimum of 5/8 in. in diameter and 16 in. long and shall be according to Article 1006.09. The anchor rods shall be threaded approximately 6 in. at one end and have a bend at the other end. The first 12 in. at the threaded end shall be galvanized. One each galvanized nut and trapezoidal washer shall be furnished with each anchor rod. The washer shall be properly sized to fully engage and sit flush on all sides of the slot of the base plate.

Revise the first sentence of Article 1077.01 (d) of the Standard Specifications to read:

All posts shall be steel, and bases shall be cast iron. All posts and bases shall be hot dipped galvanized according to AASHTO M 111. If the Department approves painting, powder coating by the manufacturer will be required over the galvanization in accordance with 851.01TS TRAFFIC SIGNAL PAINTING Special Provisions.

PEDESTRIAN SIGNAL POST

Effective: January 1, 2020
875.02TS

Description.

This work shall consist of furnishing and installing a metal pedestrian signal post. All installations shall meet the requirements of the "District One Standard Traffic Signal Design Details".

Materials.

- a. General. The pedestrian signal post shall be designed to support the traffic signal loading shown on the plans. The design and fabrication shall be according to the Standard Specifications for Structural Supports for Highway Signs, Luminaires, and Traffic Signals, as published by AASHTO.
- b. Post. The post shall be made of steel or aluminum and have an outside diameter of 4 1/2 in. The post shall be threaded for assembly to the base. Aluminum posts shall be according to the specifications for Schedule 80 aluminum pipe. Steel posts shall be according to the specifications for Schedule 40 steel pipe.
- c. Base. The base of a steel post shall be cast iron. The base of an aluminum post shall be aluminum. The base shall be threaded for the attachment to the threaded post. The base shall be approximately 10 in. high and 6 3/4 in. square at the bottom. The bottom of the base shall be designed to accept four 5/8 in. diameter anchor rods evenly spaced in a 6 in. diameter circle. The base shall be true to pattern, with sharp clean cutting ornamentation, and equipped with access doors for cable handling. The door shall be fastened to the base with stainless steel screws. A grounding lug shall be provided inside the base.
- d. Anchor Rods. The anchor rods shall be 5/8 in. in diameter and 16 in. long and shall be according to Article 1006.09. The anchor rods shall be threaded approximately 6 in. at one end and have a bend at the other end. The first 12 in. at the threaded end shall be galvanized. One each galvanized nut and trapezoidal washer shall be furnished with each anchor rod. The washer shall be properly sized to fully engage and sit flush on all sides of the slot of the base plate.

The aluminum post and base shall be drilled at the third points around the diameter and 1/4 in. by 2 in. stainless steel bolts shall be inserted to prevent the post from turning and wobbling.

- e. Finish. The steel post, steel post cap and the cast iron base shall be hot-dipped galvanized according to AASHTO M 111. If the Department approves painting, powder coating by the manufacturer will be required over the galvanization in accordance with 851.01TS TRAFFIC SIGNAL PAINTING Special Provisions. If the post and the base are threaded after the galvanization, the bare exposed metal

shall be immediately cleaned to remove all cutting solvents and oils, and then spray painted with two coats of an approved galvanized paint.

The aluminum post shall have a natural finish, 100 grit or finer.

Installation.

The pedestrian signal post shall be erected plumb, securely bolted to a concrete foundation, and grounded to a ground rod according to the details shown on the plans. No more than 3/4 in. of the post threads shall protrude above the base.

A post cap shall be furnished and installed on the top of the post. The post cap shall match the material of the post. The Contractor shall apply an anti-seize paste compound on all nuts and bolts prior to assembly.

Prior to the assembly, the Contractor shall apply two additional coats of galvanized paint on the threads of the post and the base. The Contractor shall use a fabric post tightener to screw the post to the base.

Basis of Payment.

This work will be paid for at the contract unit price per each for PEDESTRIAN SIGNAL POST, of the length specified.

MAST ARM ASSEMBLY AND POLE

Effective: May 22, 2002

Revised: July 01, 2015

877.01TS

Revise the second sentence of Article 1077.03 (a)(3) of the Standard Specifications to read:

Traffic signal mast arms shall be one piece construction, unless otherwise approved by the Engineer.

Add the following to Article 1077.03 (a)(3) of the Standard Specifications:

If the Department approves painting, powder coating by the manufacturer will be required over the galvanization in accordance with 851.01TS TRAFFIC SIGNAL PAINTING Special Provisions.

CONCRETE FOUNDATIONS

Effective: May 22, 2002

Revised: November 01, 2018

878.01TS

Add the following to Article 878.03 of the Standard Specifications:

All anchor bolts shall be according to Article 1006.09, with all anchor bolts hot dipped galvanized a minimum of 12 in. at the threaded end.

No foundation is to be poured until the Resident Engineer gives his/her approval as to the depth of the foundation.

Add the following to the first paragraph of Article 878.05 of the Standard Specifications:

The concrete apron in front of the cabinet and UPS shall be included in this pay item.

CONCRETE FOUNDATION, PEDESTRIAN POST

Effective: April 1, 2019

Revised: November 1, 2020

878.03TS

This item shall follow Section 878. Traffic Signal Concrete Foundation of the Standard Specifications.

No foundation is to be poured until the Resident Engineer gives his/her approval as to the depth of the foundation.

Basis of Payment.

This work will be paid for at the contract unit price per foot of depth of CONCRETE FOUNDATION, TYPE A 12-INCH DIAMETER.

**LIGHT EMITTING DIODE (LED) SIGNAL HEAD AND OPTICALLY PROGRAMMED
LED SIGNAL HEAD**

Effective: May 22, 2002

Revised: July 1, 2015

880.01TS

Materials.

Add the following to Section 1078 of the Standard Specifications:

1. LED modules proposed for use and not previously approved by IDOT District One will require independent testing for compliance to current VTCSH-ITE standards for the product and be Intertek ETL Verified. This would include modules from new vendors and new models from IDOT District One approved vendors.
2. The proposed independent testing facility shall be approved by IDOT District One. Independent testing must include a minimum of two (2) randomly selected modules of each type of module (i.e. ball, arrow, pedestrian, etc.) used in the District and include as a minimum Luminous Intensity and Chromaticity tests. However, complete module performance verification testing may be required by the Engineer to assure the accuracy of the vendor's published data and previous test results. An IDOT representative will select sample modules from the local warehouse and mark the modules for testing. Independent test results shall meet current ITE standards and vendor's published data. Any module failures shall require retesting of the module type. All costs associated with the selection of sample modules, testing, reporting, and retesting, if applicable, shall be the responsibility of the LED module vendor and not be a cost to this contract.
3. All signal heads shall provide 12" (300 mm) displays with glossy yellow or black polycarbonate housings. All head housings shall be the same color (yellow or black) at the intersection. For new signalized intersections and existing signalized intersections where all signal heads are being replaced, the proposed head housings shall be black. Where only selected heads are being replaced, the proposed head housing color (yellow or black) shall match existing head housings. Connecting hardware and mounting brackets shall be polycarbonate (black). A corrosion resistant anti-seize lubricant shall be applied to all metallic mounting bracket joints, and shall be visible to the inspector at the signal turn-on. Post top mounting collars are required on all posts, and shall be constructed of the same material as the brackets.
4. The LED signal modules shall be replaced or repaired if an LED signal module fails to function as intended due to workmanship or material defects within the first 7 years from the date of traffic signal TURN-ON. LED signal modules which exhibit luminous intensities less than the minimum values specified in Table 1 of the ITE Vehicle Traffic Control Signal Heads: Light Emitting Diode (LED) Circular Signal Supplement (June 27, 2005) [VTCSH], or applicable successor ITE specifications, or show signs of entrance of moisture or contaminants within the first 7 years of the date of traffic signal

TURN-ON shall be replaced or repaired. The vendor's written warranty for the LED signal modules shall be dated, signed by a vendor's representative and included in the product submittal to the State.

(a) Physical and Mechanical Requirements

1. Modules can be manufactured under this specification for the following faces:
 - a. 12 inch (300 mm) circular, multi-section
 - b. 12 inch (300 mm) arrow, multi-section
2. The maximum weight of a module shall be 4 lbs. (1.8 kg).
3. Each module shall be a sealed unit to include all parts necessary for operation (a printed circuit board, power supply, a lens and gasket, etc.), and shall be weather proof after installation and connection.
5. The lens of the module shall be tinted with a wavelength-matched color to reduce sun phantom effect and enhance on/off contrast. The tinting shall be uniform across the lens face. Polymeric lens shall provide a surface coating or chemical surface treatment applied to provide abrasion resistance. The lens of the module shall be integral to the unit, convex with a smooth outer surface and made of plastic. The lens shall have a textured surface to reduce glare.
6. The use of tinting or other materials to enhance ON/OFF contrasts shall not affect chromaticity and shall be uniform across the face of the lens.
7. Each module shall have a symbol of the type of module (i.e. circle, arrow, etc.) in the color of the module. The symbol shall be 1 inch (25.4 mm) in diameter. Additionally, the color shall be written out in 1/2 inch (12.7mm) letters next to the symbol.

(b) Photometric Requirements

4. The LEDs utilized in the modules shall be AllnGaP technology for red and InGaN for green and amber indications, and shall be the ultra bright type rated for 100,000 hours of continuous operation from -40 °C to +74 °C.

(c) Electrical

1. Maximum power consumption for LED modules is per Table 2.
2. Operating voltage of the modules shall be 120 VAC. All parameters shall be measured at this voltage.
3. The modules shall be operationally compatible with currently used controller assemblies (solid state load switches, flashers, and conflict monitors).

4. When a current of 20 mA AC (or less) is applied to the unit, the voltage read across the two leads shall be 15 VAC or less.
5. The LED modules shall provide constant light output under power. Modules with dimming capabilities shall have the option disabled or set on a non-dimming operation.
6. LED arrows shall be wired such that a catastrophic loss or the failure of one or more LED will not result in the loss of the entire module.

(d) Retrofit Traffic Signal Module

1. The following specification requirements apply to the Retrofit module only. All general specifications apply unless specifically superseded in this section.
2. Retrofit modules can be manufactured under this specification for the following faces:
 - a. 12 inch (300 mm) circular, multi-section
 - b. 12 inch (300 mm) arrow, multi-section
3. Each Retrofit module shall be designed to be installed in the doorframe of a standard traffic signal housing. The Retrofit module shall be sealed in the doorframe with a one-piece EPDM (ethylene propylene rubber) gasket.
4. The maximum weight of a Retrofit module shall be 4 lbs. (1.8 kg).
5. Each Retrofit module shall be a sealed unit to include all parts necessary for operation (a printed circuit board, power supply, a lens and gasket, etc.), and shall be weather proof after installation and connection.
6. Electrical conductors for modules, including Retrofit modules, shall be 39.4 inches (1m) in length, with quick disconnect terminals attached.
7. The lens of the Retrofit module shall be integral to the unit, shall be convex with a smooth outer surface and made of plastic or of glass.

(e) The following specification requirements apply to the 12 inch (300 mm) arrow module only. All general specifications apply unless specifically superseded in this section.

1. The arrow module shall meet specifications stated in Section 9.01 of the Equipment and Material Standards of the Institute of Transportation Engineers (November 1998) [ITE Standards], Chapter 2 (Vehicle Traffic Control Signal Heads) or applicable successor ITE specifications for arrow indications.
2. The LEDs arrow indication shall be a solid display with a minimum of three (3) outlining rows of LEDs and at least one (1) fill row of LEDs.

(f) The following specification requirement applies to the 12 inch (300 mm) programmed visibility (PV) module only. All general specifications apply unless specifically superseded in this section.

1. The LED module shall be a module designed and constructed to be installed in a programmed visibility (PV) signal housing without modification to the housing.

Basis of Payment.

Add the following to the first paragraph of Article 880.04 of the Standard Specifications:

The price shall include furnishing the equipment described above, all mounting hardware and installing them in satisfactory operating condition.

Revise the second paragraph of Article 880.04 of the Standard Specifications to read:

If the work consists of retrofitting an existing polycarbonate traffic signal head with light emitting diodes (LEDs), it will be paid for as a SIGNAL HEAD, LED, RETROFIT, of the type specified, and of the particular kind of material, when specified. Price shall be payment in full for removal of the existing module, furnishing the equipment described above including LED modules, all mounting hardware, and installing them in satisfactory operating condition. The type specified will indicate the number of signal faces, the number of signal sections in each signal face and the method of mounting.

LIGHT EMITTING DIODE (LED) PEDESTRIAN SIGNAL HEAD

Effective: May 22, 2002

Revised: July 1, 2015

881.01TS

Add the following to the third paragraph of Article 881.03 of the Standard Specifications:

No mixing of different types of pedestrian traffic signals or displays will be permitted.

Add the following to Article 881.03 of the Standard Specifications:

(a) Pedestrian Countdown Signal Heads.

- (1) Pedestrian Countdown Signal Heads shall not be installed at signalized intersections where traffic signals and railroad warning devices are interconnected.
- (2) Pedestrian Countdown Signal Heads shall be 16 inch (406mm) x 18 inch (457mm), for single units with glossy yellow or black polycarbonate housings. All pedestrian head housings shall be the same color (yellow or black) at the intersection. For new signalized intersections and existing signalized intersections where all pedestrian heads are being replaced, the proposed head housings shall be black. Where only selected heads are being replaced, the proposed head housing color (yellow or black) shall match existing head housings. Connecting hardware and mounting brackets shall be polycarbonate (black). A corrosion resistant anti-seize lubricant shall be applied to all metallic mounting bracket joints, and shall be visible to the inspector at the signal turn-on.
- (3) Each pedestrian signal LED module shall be fully MUTCD compliant and shall consist of double overlay message combining full LED symbols of an Upraised Hand and a Walking Person. "Egg Crate" type sun shields are not permitted. Numerals shall measure 9 inches (229mm) in height and easily identified from a distance of 120 feet (36.6m).

Materials.

Add the following to Article 1078.02 of the Standard Specifications:

General.

1. The module shall operate in one mode: Clearance Cycle Countdown Mode Only. The countdown module shall display actual controller programmed clearance cycle and shall start counting when the flashing clearance signal turns on and shall countdown to "0" and turn off when the steady Upraised Hand (symbolizing Don't Walk) signal turns on. Module shall not have user accessible switches or controls for modification of cycle.

2. At power on, the module shall enter a single automatic learning cycle. During the automatic learning cycle, the countdown display shall remain dark.
3. The module shall re-program itself if it detects any increase or decrease of Pedestrian Timing. The counting unit will go blank once a change is detected and then take one complete pedestrian cycle (with no counter during this cycle) to adjust its buffer timer.
4. If the controller preempts during the Walking Person (symbolizing Walk), the countdown will follow the controller's directions and will adjust from Walking Person to flashing Upraised Hand. It will start to count down during the flashing Upraised Hand.
5. If the controller preempts during the flashing Upraised Hand, the countdown will continue to count down without interruption.
6. The next cycle, following the preemption event, shall use the correct, initially programmed values.
7. If the controller output displays Upraised Hand steady condition and the unit has not arrived to zero or if both the Upraised Hand and Walking Person are dark for some reason, the unit suspends any timing and the digits will go dark.
8. The digits will go dark for one pedestrian cycle after loss of power of more than 1.5 seconds.
9. The countdown numerals shall be two (2) "7 segment" digits forming the time display utilizing two rows of LEDs.
10. The LED module shall meet the requirements of the Institute of Transportation Engineers (ITE) LED purchase specification, "Pedestrian Traffic Control Signal Indications - Part 2: LED Pedestrian Traffic Signal Modules," or applicable successor ITE specifications, except as modified herein.
11. The LED modules shall provide constant light output under power. Modules with dimming capabilities shall have the option disabled or set on a non-dimming operation.
12. In the event of a power outage, light output from the LED modules shall cease instantaneously.
13. The LEDs utilized in the modules shall be AllnGaP technology for Portland Orange (Countdown Numerals and Upraised Hand) and GaN technology for Lunar White (Walking Person) indications.
14. The individual LEDs shall be wired such that a catastrophic loss or the failure of one or more LED will not result in the loss of the entire module.

Basis of Payment.

Add the following to the first paragraph of Article 881.04 of the Standard Specifications:

The price shall include furnishing the equipment described above, all mounting hardware and installing them in satisfactory operating condition.

Add the following to Article 881.04 of the Standard Specifications:

If the work consists of retrofitting an existing polycarbonate pedestrian signal head and pedestrian countdown signal head with light emitting diodes (LEDs), it will be paid for as a PEDESTRIAN SIGNAL HEAD, LED, RETROFIT, of the type specified, and of the particular kind of material, when specified. Price shall be payment in full for furnishing the equipment described above including LED modules, all mounting hardware, and installing them in satisfactory operating condition.

TRAFFIC SIGNAL BACKPLATE

Effective: May 22, 2002

Revised: July 1, 2021

882.01TS

Delete 1st sentence of Article 1078.03 of the Standard Specifications and add “All backplates shall be louvered, formed ABS plastic or composite aluminum”.

Delete first sentence of the second paragraph of Article 1078.03 of the Standard Specifications and add “The backplate shall be composed of one or two piece.

Delete second sentence of the fourth paragraph of Article 1078.03 the Standard Specifications.

Add the following to the fourth paragraph of Article 1078.03 of the Standard Specifications:

When retro reflective sheeting is specified, it shall be Type ZZ sheeting according to Article 1091.03 and applied in preferred orientation for the maximum angularity according to the vendor’s recommendations. The retroreflective sheeting shall be installed under a controlled environment at the vendor/equipment supplier before shipment to the contractor. The formed plastic backplate shall be prepared and cleaned, following recommendations of the retroreflective sheeting manufacturer.

DETECTOR LOOP

Effective: May 22, 2002

Revised: July 1, 2018

886.01TS

Procedure.

A minimum of seven (7) working days prior to the Contractor cutting loops, the Contractor shall mark the proposed loop locations and contact the Area Traffic Signal Maintenance and Operations Engineer (847) 705-4424 to inspect and approve the layout. When preformed detector loops are installed, the Contractor shall have them inspected and approved prior to the pouring of the Portland cement concrete surface, using the same notification process as above.

Installation.

Revise Article 886.04 of the Standard Specifications to read:

Loop detectors shall be installed according to the requirements of the "District One Standard Traffic Signal Design Details." Saw-cuts (homeruns on preformed detector loops) from the loop to the edge of pavement shall be made perpendicular to the edge of pavement when possible in order to minimize the length of the saw-cut (homerun on preformed detector loops) unless directed otherwise by the Engineer or as shown on the plan.

The detector loop cable insulation shall be labeled with the cable specifications.

Each loop detector lead-in wire shall be labeled in the handhole using a water proof tag, from an approved vendor, secured to each wire with nylon ties.

Resistance to ground shall be a minimum of 100 mega-ohms under any conditions of weather or moisture. Inductance shall be more than 50 and less than 700 microhenries. Quality readings shall be more than 5.

- (a) Type I. All loops installed in new asphalt pavement shall be installed in the binder course and not in the surface course. The edge of pavement, curb and handhole shall be cut with a 1/4 inch (6.3 mm) deep x 4 inches (100 mm) saw cut to mark location of each loop cable.
- (b) Loop sealant shall be two-component thixotropic chemically cured polyurethane from an approved vendor. The sealant shall be installed 1/8 inch (3 mm) below the pavement surface. If installed above the surface the excess shall be removed immediately.
- (c) Preformed. This work shall consist of furnishing and installing a rubberized or cross linked polyethylene heat resistant preformed traffic signal loop in accordance with the Standard Specifications, except for the following:
- (d) Preformed detector loops shall be installed in the sub-base under the Portland cement concrete pavement. Loop lead-ins shall be extended to a temporary protective enclosure

near the proposed handhole location. The protective enclosure shall provide sufficient protection from other construction activities and may be buried for additional protection.

- (e) Handholes shall be placed next to the shoulder or back of curb when preformed detector loops enter the handhole. CNC, included in this pay item, shall be used to protect the preformed lead-ins from back of curb to the handhole.
- (f) Preformed detector loops shall be factory assembled with ends capped and sealed against moisture and other contaminants. The loop configurations and homerun lengths shall be assembled for the specific application. The loop and homerun shall be constructed using 5/8 inch (16 mm) outside diameter (minimum), 3/8 inch (9.5 mm) inside diameter (minimum) Class A oil resistant synthetic cord reinforced hydraulic hose with 250 psi (1,720 kPa) internal pressure rating or a similarly sized XLPE cable jacket. Hose for the loop and homerun assembly shall be one continuous piece. No joints or splices shall be allowed in the hose except where necessary to connect homeruns to the loops. This will provide maximum wire protection and loop system strength. Hose tee connections shall be heavy duty high temperature synthetic rubber. The tee shall be of proper size to attach directly to the hose, minimizing glue joints. The tee shall have the same flexible properties as the hose to insure that the whole assembly can conform to pavement movement and shifting without cracking or breaking. For XLPE jacketed preformed loops, all splice connections shall be soldered, sealed, and tested before being sealed in a high impact glass impregnated plastic splice enclosure. The wire used shall be #16 THWN stranded copper. The number of turns in the loop shall be application specific. Homerun wire pairs shall be twisted a minimum of eight turns per foot. No wire splices will be allowed in the preformed loop assembly. The loop and homeruns shall be filled and sealed with a flexible sealant to insure complete moisture blockage and further protect the wire. The preformed loops shall be constructed to allow a minimum of 6.5 feet of extra cable in the handhole.

Method of Measurement.

Add the following to Article 886.05 of the Standard Specifications:

Preformed detector loops will be measured along the detector loop embedded in the pavement, rather than the actual length of the wire. Detector loop measurements shall include the saw cut and the length of the detector loop wire to the edge of pavement. The detector loop wire, including all necessary connections for proper operations, from the edge of pavement to the handhole, shall be included in the price of the detector loop. CNC, trench and backfill, and drilling of pavement or handholes shall be included in detector loop quantities.

Basis of Payment.

This work shall be paid for at the contract unit price per foot (meter) for DETECTOR LOOP, TYPE I or PREFORMED DETECTOR LOOP as specified in the plans, which price shall be payment in full for furnishing and installing the detector loop and all related connections for proper operation.

DETECTOR LOOP REPLACEMENT AND/OR INSTALLATION (ROADWAY GRINDING, RESURFACING, & PATCHING OPERATIONS)

Effective: January 1, 1985
Revised: January 5, 2016
886.02TS

The following Traffic Signal Special Provisions and the "District 1 Standard Traffic Signal Design Details" supplement the requirements of the State of Illinois "Standard Specifications for Road and Bridge Construction" Sections 810, 886, 1079 and 1088.

The intent of this Special Provision is to prescribe the materials and construction methods commonly used to replace traffic signal detector loops and replace magnetic signal detectors with detector loops during roadway resurfacing, grinding and patching operations. Loop detector replacement will not require the transfer of traffic signal maintenance from the District Electrical Maintenance Contractor to this contract's electrical contractor. Replacement of magnetic detector will require wiring revisions inside the control cabinet and therefore the transfer of maintenance will be required. All material furnished shall be new. The locations and the details of all installations shall be as indicated on the Plans or as directed by the Engineer.

The work to be provided under this contract consists of furnishing and installing all traffic signal work as specified on the Plans and as specified herein in a manner acceptable and approved by the Engineer.

Notification of Intent to Work.

Contracts such as pavement grinding or patching which result in the destruction of traffic signal detection require a notification of intent to work and an inspection. A minimum of seven (7) working days prior to the detection removal, the Contractor shall notify the:

- Traffic Signal Maintenance and Operations Engineer at (847)705-4424
- IDOT Electrical Maintenance Contractor at (773) 287-7600

at which time arrangements will be made to adjust the traffic controller timing to compensate for the absence of detection.

Failure to provide proper notification may require the District's Electrical Maintenance Contractor to be called to investigate complaints of inadequate traffic signal timing. All costs associated with these expenses will be paid for by the Contractor at no additional expense to the Department according to Section 109 of the "Standard Specifications."

Acceptance of Material.

The Contractor shall provide:

1. All material approval requests shall be submitted a minimum of seven (7) days prior to the delivery of equipment to the job site, or within 30 consecutive calendar days after the contract is awarded, or within 15 consecutive calendar days after the preconstruction meeting, whichever is first.
2. Four (4) copies of a letter listing the vendor's name and model numbers of the proposed equipment shall be supplied. The letter will be reviewed by the Traffic Design Engineer to determine whether the equipment to be used is approved.

The letters will be stamped as approved or not approved accordingly and returned to the Contractor.

3. One (1) copy of material catalog cuts.
4. The contract number, permit number or intersection location must be on each sheet of the letter and material catalog cuts as required in items 2 and 3.

Inspection of Construction.

When the road is open to traffic, except as otherwise provided in Section 801 and 850 of the Standard Specifications, the Contractor must request a turn-on and inspection of the completed detector loop installation at each separate location. This request must be made to the Traffic Signal Maintenance and Operations Engineer at (847)705-4424 a minimum of seven (7) working days prior to the time of the requested inspection.

Acceptance of the traffic signal equipment by the Department shall be based upon inspection results at the traffic signal "turn on." If approved, traffic signal acceptance shall be verbal at the "turn on" inspection followed by written correspondence from the Engineer. If this work is not completed in time, the Department reserves the right to have the work completed by others at the Contractor's expense.

All cost of work and materials required to comply with the above requirements shall be included in the pay item bid price, under which the subject materials and signal equipment are paid, and no additional compensation will be allowed. Materials and signal equipment not complying with the above requirements will be subject to removal and disposal at the Contractor's expense.

Restoration of Work Area.

Restoration of the traffic signal work area due to the detector loop installation and/or replacement shall be included in the cost of this item. All roadway surfaces such as shoulders, medians, sidewalks, pavement shall be replaced as shown in the plans or in kind. All damage to mowed lawns shall be replaced with an approved sod, and all damage to unmowed fields shall be seeded.

Removal, Disposal and Salvage of Existing Traffic Signal Equipment.

The removal, disposal, and salvage of existing traffic signal equipment shall be included in the cost of this item. All material and equipment removed shall become the property of the Contractor and disposed of by the Contractor outside the State's right-of-way. No additional compensation shall be provided to the Contractor for removal, disposal or salvage expense for the work in this contract.

DETECTOR LOOP REPLACEMENT.

This work shall consist of replacing existing detector loops which are destroyed during grinding, resurfacing, or patching operations.

If damage to the detector loop is unavoidable, replacement of the existing detection system will be necessary. This work shall be completed by an approved Electrical Contractor as directed by the Engineer.

Replacement of the loops shall be accomplished in the following manner: The Engineer shall mark the location of the replacement loops. The Traffic Signal Maintenance and

Operations Engineer shall be called to approve loop locations prior to the cutting of the pavement. The Contractor may reuse the existing coilable non-metallic conduit (CNC) located between the existing handhole and the pavement if it hasn't been damaged. CNC meeting the requirements of NEC Article 353 shall be used for detector loop raceways to the handholes. All burrs shall be removed from the edges of the existing conduit which could cause damage to the new detector loop during installation. If the existing conduit is damaged beyond repair, if it cannot be located, or if additional conduits are required for each proposed loop; the Contractor shall be required to drill through the existing pavement into the appropriate handhole, and install 1" (25 mm) CNC. This work and the required materials shall not be paid for separately but shall be included in the pay item Detector Loop Replacement. Once suitable CNC raceways is established, the loop may be cut, installed, sealed and spliced to the twisted-shielded lead-in cable in the handhole. All loops installed in new asphalt pavement shall be installed in the binder course and not in the surface course. The edge of pavement or the curb shall be cut with a 1/4" (6.3 mm) deep x 4" (100 mm) saw-cut to mark location of each loop lead-in.

A minimum of seven (7) working days prior to the Contractor cutting loops, the Contractor shall have the proposed loop locations marked and contact the Traffic Signal Maintenance and Operations Engineer (847)705-4424 to inspect and approve the layout.

Loop detectors shall be installed according to the requirements of the "District 1 Standard Traffic Signal Design Details." Saw-cuts from the loop to the edge of pavement shall be made perpendicular to the edge of pavement when possible in order to minimize the length of the saw-cut unless directed otherwise by the Engineer or as shown on the plan.

The detector loop cable insulation shall be labeled with the cable specifications.

Each loop detector lead-in wire shall be labeled in the handhole using a water proof tag, from an approved vendor, secured to each wire with nylon ties. The lead-in wire, including all necessary connections for proper operation, from the edge of pavement to the handhole, shall be included in the detector loop pay item.

Loop sealant shall be a two-component thixotropic chemically cured polyurethane. The sealant shall be installed 1/8" (3 mm) below the pavement surface. If installed above the surface the excess shall be removed immediately.

Round loop(s) 6 ft (1.8 m) diameter may be substituted for 6 ft (1.8 m) by 6 ft (1.8 m) square loop(s) and shall be paid for as 24 feet (7.2 m) of detector loop.

Resistance to ground shall be a minimum of 100 mega-ohms under any conditions of weather or moisture. Inductance shall be more than 50 and less than 700 microhenries. Quality readings shall be more than 5.

Heat shrink splices shall be used according to the "District 1 Standard Traffic Signal Design Details."

Detector loop replacement shall be measured along the sawed slot in the pavement containing the loop cable up to the edge of pavement, rather than the actual length of the wire in the slot. Drilling handholes, sawing the pavement, furnishing and installing CNC to

the appropriate handhole, cable splicing to provide a fully operable detector loop, testing and all trench and backfill shall be included in this item.

Basis of Payment.

Detector Loop Replacement shall be paid for at the contract unit price per foot (meter) of DETECTOR LOOP REPLACEMENT.

MAGNETIC DETECTOR REMOVAL AND DETECTOR LOOP INSTALLATION.

This work shall consist of the removal of existing magnetic detectors, magnetic detector lead-in cable and magnetic detection amplifiers and related control equipment wiring, installation of detector lead-in cable, detector loops, detector amplifiers and related equipment wiring. The detector loop, cable, and amplifier shall be installed according to the applicable portions of the "Standard Specifications" and the applicable portions of the Special Provision for "Detector Loop Replacement." All drilling of handholes, furnishing and installing CNC, cable splicing, trench and backfill, removal of equipment, and removing cable from conduit shall be included in this item.

Basis of Payment.

Magnetic Detector Removal and Detector Loop Installation shall be paid for at the contract unit price per foot (meter) for DETECTOR LOOP, TYPE I, per each for INDUCTIVE LOOP DETECTOR, and foot (meter) for ELECTRIC CABLE IN CONDUIT, LEAD-IN, NO. 14 1 PAIR.

VIDEO VEHICLE DETECTION SYSTEM

Effective: January 1, 2020
886.04TS

Description.

This work shall consist of furnishing and installing a video vehicle detection system as specified and/or as shown on the plans. This pay item shall include all necessary work and equipment required to have a fully operational system including but not limited to the detector unit/s, the interface unit and all the necessary hardware, cables and accessories required to complete the installation in accordance with the manufacturer's specifications.

The video vehicle detection system shall work under all weather conditions, including rain, freezing rain, snow, wind, dust, fog, and changes in temperature and light. It shall work in an ambient temperature range of -34 to 74 degrees Celsius.

The video vehicle detection system shall be compatible with the District's approved traffic controller assemblies utilizing NEMA TS 1 or NEMA TS 2 controllers and cabinet components for full time operation. The video vehicle detection system shall provide a minimum of one interface unit that has Ethernet connectivity, surge protection and shall be capable of supporting a minimum of 2 detector units. The video vehicle detection system shall include a display inside the cabinet that has a minimum 10" screen with a minimum 1280x800 resolution.

The video vehicle detection system shall be one of the following systems or an approved equivalent:

- Autoscope Vision
- Iteris Vantage Next

A representative from the supplier of the video vehicle detection system shall supervise the installation and testing of the video vehicle detection system and shall be present at the traffic signal turn-on inspection. Once the video vehicle detection system is configured, it shall not need reconfiguration to maintain performance, unless the roadway configuration or the application requirements change.

The mounting location/s of the detector unit/s shall be per the manufacturer's recommendations. If an extension mounting assembly is needed, it shall be included in this item. All holes drilled into signal poles, mast arms, or posts shall require rubber grommets to prevent chafing of wires.

The video detection system shall be warrantied, free from material and workmanship defects for a period of two years from final inspection.

Basis of Payment.

This work shall be paid for at the contract unit price each for VIDEO VEHICLE DETECTION SYSTEM, SINGLE APPROACH, the price of which shall include the cost for all of the work

Rand Road (FAP 334), Central Road (FAU 1300),
Mount Prospect Road (FAU 1300)
Village of Mount Prospect
Contract No. 61H44
Section No. 17-00166-00-CH
Cook County

and material described herein and includes furnishing, installing, delivery, handling, testing, set-up and all appurtenances and mounting hardware necessary for a fully operational video vehicle detection system.

EMERGENCY VEHICLE PRIORITY SYSTEM

Effective: May 22, 2002

Revised: July 1, 2015

887.01TS

Revise Section 887 of the Standard Specifications to read:

It shall be the Contractor's responsibility to contact the municipality or fire district to verify the brand of emergency vehicle pre-emption equipment to be installed prior to the contract bidding. The equipment must be completely compatible with all components of the equipment currently in use by the Agency.

All new installations shall be equipped with Confirmation Beacons as shown on the "District One Standard Traffic Signal Design Details." The Confirmation Beacon shall consist of a 6 watt Par 38 LED flood lamp with a 30 degree light spread, or a 7 watt Par 30 LED flood lamp with a 15 degree or greater spread, maximum 7 watt energy consumption at 120V, and a 2,000 hour warranty for each direction of pre-emption. The lamp shall have an adjustable mount with a weatherproof enclosure for cable splicing. All hardware shall be cast aluminum or stainless steel. Holes drilled into signal poles, mast arms, or posts shall require rubber grommets. In order to maintain uniformity between communities, the confirmation beacons shall indicate when the control equipment receives the pre-emption signal. The pre-emption movement shall be signaled by a flashing indication at the rate specified by Section 4L.01 of the "Manual on Uniform Traffic Control Devices," and other applicable sections of future editions. The stopped pre-empted movements shall be signaled by a continuous indication.

All light operated systems shall include security and transit preemption software and operate at a uniform rate of 14.035 Hz \pm 0.002, or as otherwise required by the Engineer, and provide compatible operation with other light systems currently being operated in the District.

This item shall include any required modifications to an existing traffic signal controller as a result of the addition of the EMERGENCY VEHICLE PRIORITY SYSTEM.

Basis of Payment.

The work shall be paid for at the contract unit price each for furnishing and installing LIGHT DETECTOR and LIGHT DETECTOR AMPLIFIER. Furnishing and installing the confirmation beacon shall be included in the cost of the Light Detector. Any required modifications to the traffic signal controller shall be included in the cost of the LIGHT DETECTOR AMPLIFIER. The preemption detector amplifier shall be paid for on a basis of (1) one each per intersection controller and shall provide operation for all movements required in the pre-emption phase sequence.

TEMPORARY TRAFFIC SIGNAL INSTALLATION

Effective: May 22, 2002

Revised: January 1, 2017

890.01TS

Revise Section 890 of the Standard Specifications to read:

Description.

This work shall consist of furnishing, installing, maintaining, and removing a temporary traffic signal installation as shown on the plans, including but not limited to temporary signal heads, emergency vehicle priority systems, interconnect, vehicle detectors, uninterruptable power supply, and signing. Temporary traffic signal controllers and cabinets interconnected to railroad traffic control devices shall be new. When temporary traffic signals will be operating within a county or local agency Traffic Management System, the equipment must be NTCIP compliant and compatible with the current operating requirements of the Traffic Management System.

General.

Only an approved controller equipment supplier will be allowed to assemble temporary traffic signal and railroad traffic signal cabinet. Traffic signal inspection and TURN-ON shall be according to 800.01TS TRAFFIC SIGNAL GENERAL REQUIREMENTS special provision.

Construction Requirements.

(a) Controllers.

1. Only controllers supplied by one of the District approved closed loop equipment supplier will be approved for use at temporary signal locations. All controllers used for temporary traffic signals shall be fully actuated NEMA microprocessor based with RS232 data entry ports compatible with existing monitoring software approved by IDOT District 1, installed in NEMA TS2 cabinets with 8 phase back panels, capable of supplying 255 seconds of cycle length and individual phase length settings up to 99 seconds. On projects with one lane open and two way traffic flow, such as bridge deck repairs, the temporary signal controller shall be capable of providing an adjustable all red clearance setting of up to 30 seconds in length. All controllers used for temporary traffic signals shall meet or exceed the requirements of Section 857 of the Standard Specifications with regards to internal time base coordination and preemption. All railroad interconnected temporary controllers and cabinets shall be new and shall satisfy the requirements of Article 857.02 of the Standard Specifications and as modified herein.
2. Only control equipment, including controller cabinet and peripheral equipment, supplied by one of the District approved closed loop equipment suppliers will be approved for use at temporary traffic signal locations. All control equipment for the temporary traffic signal(s) shall be furnished by the Contractor unless otherwise stated in the plans. On projects with multiple temporary traffic signal

installations, all controllers shall be the same manufacturer brand and model number with the latest version software installed at the time of the signal TURN-ON.

- (b) Cabinets. All temporary traffic signal cabinets shall have a closed bottom made of aluminum alloy. The bottom shall be sealed along the entire perimeter of the cabinet base to ensure a water, dust and insect-proof seal. The bottom shall provide a minimum of two (2) 4 inch (100 mm) diameter holes to run the electric cables through. The 4 inch (100 mm) diameter holes shall have a bushing installed to protect the electric cables and shall be sealed after the electric cables are installed.
- (c) Grounding. Grounding shall be provided for the temporary traffic signal cabinet meeting or exceeding the applicable portions of the National Electrical Code, Section 806 of the Standard Specifications and shall meet the requirements of the 806.01TS GROUNDING OF TRAFFIC SIGNAL SYSTEMS special provision.
- (d) Traffic Signal Heads. All traffic signal sections shall be 12 inches (300 mm). Pedestrian signal sections shall be 16 inch (406mm) x 18 inch (457mm). Traffic signal sections shall be LED with expandable view, unless otherwise approved by the Engineer. Pedestrian signal heads shall be Light Emitting Diode (LED) Pedestrian Countdown Signal Heads except when a temporary traffic signal is installed at an intersection interconnected with a railroad grade crossing. When a temporary traffic signal is installed at an intersection interconnected with a railroad grade crossing, Light Emitting Diode (LED) Pedestrian Signal Heads shall be furnished. The temporary traffic signal heads shall be placed as indicated on the temporary traffic signal plan or as directed by the Engineer. If no traffic staging is in place or will not be staged on the day of the turn on, the temporary traffic signal shall have the signal head displays, signal head placements and controller phasing match the existing traffic signal or shall be as directed by the engineer. The Contractor shall furnish enough extra cable length to relocate heads to any position on the span wire or at locations illustrated on the plans for construction staging. The temporary traffic signal shall remain in operation during all signal head relocations. Each temporary traffic signal head shall have its own cable from the controller cabinet to the signal head.
- (e) Interconnect.
 - 1. Temporary traffic signal interconnect shall be provided using fiber optic cable or wireless interconnect technology as specified in the plans. The Contractor may request, in writing, to substitute the fiber optic temporary interconnect indicated in the contract documents with a wireless interconnect. The Contractor must provide assurances that the radio device will operate properly at all times and during all construction staging. If approved for use by the Engineer, the Contractor shall submit marked-up traffic signal plans indicating locations of radios and antennas and installation details. If wireless

interconnect is used, and in the opinion of the engineer, it is not viable, or if it fails during testing or operations, the Contractor shall be responsible for installing all necessary poles, fiber optic cable, and other infrastructure for providing temporary fiber optic interconnect at no cost to the contract.

2. The existing system interconnect and phone lines are to be maintained as part of the Temporary Traffic Signal Installation specified for on the plan. The interconnect, including any required fiber splices and terminations, shall be installed into the temporary controller cabinet as per the notes or details on the plans. All labor and equipment required to install and maintain the existing interconnect as part of the Temporary Traffic Signal Installation shall be included in the cost of TEMPORARY TRAFFIC SIGNAL INSTALLATION. When shown in the plans, temporary traffic signal interconnect equipment shall be furnished and installed. The temporary traffic signal interconnect shall maintain interconnect communications throughout the entire signal system for the duration of the project. Any temporary signal within an existing closed loop traffic signal system shall be interconnected to that system using similar brand control equipment at no additional cost to the contract.
3. Temporary wireless interconnect. The radio interconnect system shall be compatible with Eagle or Econolite controller closed loop systems. This work shall include all temporary wireless interconnect components, at the adjacent existing traffic signal(s) to provide a completely operational closed loop system. This work shall include all materials, labor and testing to provide the completely operational closed loop system as shown on the plans. The radio interconnect system shall include the following components:
 - a. Rack or Shelf Mounted RS-232 Frequency Hopping Spread Spectrum (FHSS) Radio
 - b. Software for Radio Configuration (Configure Frequency and Hopping Patterns)
 - c. Antennas (Omni Directional or Yagi Directional)
 - d. Antenna Cables, LMR400, Low Loss. Max. 100-ft from controller cabinet to antenna
 - e. Brackets, Mounting Hardware, and Accessories Required for Installation
 - f. RS232 Data Cable for Connection from the radio to the local or master controller
 - g. All other components required for a fully functional radio interconnect system

All controller cabinet modifications and other modifications to existing equipment that are required for the installation of the radio interconnect system components shall be included in the cost of TEMPORARY TRAFFIC SIGNAL INSTALLATION.

The radio interconnect system may operate at 900Mhz (902-928) or 2.4 Ghz depending on the results of a site survey. The telemetry shall have an acceptable rate of transmission errors, time outs, etc. comparable to that of a hardwire system.

The proposed or existing master controller and telemetry module shall be configured for use with the radio interconnect at a minimum rate of 9600 baud.

The radio interconnect system shall include all other components required for a complete and fully functional telemetry system and shall be installed in accordance to the vendors recommendations.

- (f) Emergency Vehicle Pre-Emption. All emergency vehicle preemption equipment (light detectors, light detector amplifiers, confirmation beacons, etc.) as shown on the temporary traffic signal plans shall be provided by the Contractor. It shall be the Contractor's responsibility to contact the municipality or fire district to verify the brand of emergency vehicle preemption equipment to be installed prior to the contract bidding. The equipment must be completely compatible with all components of the equipment currently in use by the Agency. All light operated systems shall operate at a uniform rate of 14.035 hz \pm 0.002, or as otherwise required by the Engineer, and provide compatible operation with other light systems currently being operated in the District. All labor and material required to install and maintain the Emergency Vehicle Preemption installation shall be included in the item Temporary Traffic Signal Installation.
- (g) Vehicle Detection. All temporary traffic signal installations shall have vehicular detection installed at all approaches of the intersection and as directed by the Engineer. Pedestrian push buttons shall be provided for all pedestrian signal heads/phases as directed by the Engineer. Microwave vehicle sensors or video vehicle detection system shall be approved by IDOT prior to Contractor furnishing and installing. The Contractor shall install, wire, and adjust the alignment of the microwave vehicle sensor or video vehicle detection system in accordance to the manufacturer's recommendations and requirements. The Contractor shall be responsible for adjusting the alignment of the microwave vehicle sensor or video vehicle detection system for all construction staging changes and for maintaining proper alignment throughout the project. An equipment supplier shall be present and assist the contractor in setting up and maintaining the microwave vehicle sensor or video vehicle detection system. An in-cabinet video monitor shall be provided with all video vehicle detection systems and shall be included in the item Temporary Traffic Signal Installation.
- (h) Uninterruptable Power Supply. All temporary traffic signal installations shall have Uninterruptable Power Supply (UPS). The UPS cabinet shall be mounted to the temporary traffic signal cabinet and shall be according to the applicable portions

of Section 862 of the Standard Specifications and as modified in 862.01TS
UNITERRUPTABLE POWER SUPPLY, SPECIAL Special Provision.

- (i) Signs. All existing street name and intersection regulatory signs shall be removed from existing poles and relocated to the temporary signal span wire. If new mast arm assembly and pole(s) and posts are specified for the permanent signals, the signs shall be relocated to the new equipment at no extra cost. Any intersection regulatory signs that are required for the temporary traffic signal shall be provided as shown on the plans or as directed by the Engineer. Relocation, removing, bagging and installing the regulatory signs for the various construction stages shall be provided as shown on the plans or as directed by the Engineer. If Illuminated Street Name Signs exist they shall be taken down and stored by the contractor and reflecting street name signs shall be installed on the temporary traffic signal installation.
- (j) Energy Charges. The electrical utility energy charges for the operation of the temporary traffic signal installation shall be paid for by others if the installation replaces an existing signal. Otherwise charges shall be paid for under 109.05 of the Standard Specifications.
- (k) Maintenance. Maintenance shall meet the requirements of the Standard Specifications and 850.01TS MAINTENANCE OF EXISTING TRAFFIC SIGNAL INSTALLATION Special Provisions. Maintenance of temporary signals and of the existing signals shall be included in the cost of the TEMPORARY TRAFFIC SIGNAL INSTALLATION pay item. When temporary traffic signals are to be installed at locations where existing signals are presently operating, the Contractor shall be fully responsible for the maintenance of the existing signal installation as soon as he begins any physical work on the Contract or any portion thereof. In addition, a minimum of seven (7) days prior to assuming maintenance of the existing traffic signal installation(s) under this Contract, the Contractor shall request that the Resident Engineer contact the Bureau of Traffic Operations (847) 705-4424 for an inspection of the installation(s).
- (l) Temporary Traffic Signals for Bridge Projects. Temporary Traffic Signals for bridge projects shall follow the State Standards, Standard Specifications, Special Provisions and any plans for Bridge Temporary Traffic Signals included in the plans. The installation shall meet the Standard Specifications and all other requirements in this TEMPORARY TRAFFIC SIGNAL INSTALLATION specification. In addition all electric cable shall be aerially suspended, at a minimum height of 18 feet (5.5m) on temporary wood poles (Class 5 or better) of 45 feet (13.7 m) minimum height. The signal heads shall be span wire mounted or bracket mounted to the wood pole or as directed by the Engineer. The Controller cabinet shall be mounted to the wood pole as shown in the plans, or as directed by the Engineer. Microwave vehicle sensors or video vehicle detection system may be used in place of detector loops as approved by the Engineer.

(m) Temporary Portable Traffic Signal for Bridge Projects.

1. The controller and cabinet shall be NEMA type designed for NEMA TS2 Type 1 operation. Controller and LED signal displays shall meet the applicable Standard Specifications and all other requirements in this TEMPORARY TRAFFIC SIGNAL INSTALLATION special provision.
2. Work shall be according to Article 701.18(b) of the Standard Specifications except as noted herein.
3. General.
 - a. The temporary portable bridge traffic signals shall be trailer-mounted units. The trailer-mounted units shall be set up securely and level. Each unit shall be self-contained and consist of two signal heads. The left signal head shall be mounted on a mast arm capable of extending over the travel lane. Each unit shall contain a solar cell system to facilitate battery charging. There shall be a minimum of 12 days backup reserve battery supply and the units shall be capable of operating with a 120 V power supply from a generator or electrical service.
 - b. All signal heads located over the travel lane shall be mounted at a minimum height of 17 feet (5m) from the bottom of the signal back plate to the top of the road surface. All far right signal heads located outside the travel lane shall be mounted at a minimum height of 8 feet (2.5m) from the bottom of the signal back plate to the top of the adjacent travel lane surface.
 - c. The long all red intervals for the traffic signal controller shall be adjustable up to 250 seconds in one-second increments.
 - d. As an alternative to detector loops, temporary portable bridge traffic signals may be equipped with microwave sensors or other approved methods of vehicle detection and traffic actuation.
 - e. All portable traffic signal units shall be interconnected using hardwire communication cable. Radio communication equipment may be used only with the approval of the Engineer. If radio communication is used, a site analysis shall be completed to ensure that there is no interference present that would affect the traffic signal operation. The radio equipment shall meet all applicable FCC requirements.
 - f. The temporary portable bridge traffic signal system shall meet the physical display and operational requirements of conventional traffic signals as specified in Part IV and other applicable portions of the currently adopted version of the Manual on Uniform Traffic Control

Devices (MUTCD) and the Illinois MUTCD. The signal system shall be designed to continuously operate over an ambient temperature range between -30 °F (-34 °C) and 120 °F (48 °C). When not being utilized to inform and direct traffic, portable signals shall be treated as non-operating equipment according to Article 701.11.

Basis of Payment.

This work shall be paid for at the contract unit price each for TEMPORARY TRAFFIC SIGNAL INSTALLATION, TEMPORARY BRIDGE TRAFFIC SIGNAL INSTALLATION, or TEMPORARY PORTABLE BRIDGE TRAFFIC SIGNAL INSTALLATION, the price of which shall include all costs for the modifications required for traffic staging, changes in signal phasing as required in the Contract plans, microwave vehicle sensors, video vehicle detection system, any maintenance or adjustment to the microwave vehicle sensors/video vehicle detection system, the temporary wireless interconnect system, temporary fiber optic interconnect system, all material required, the installation and complete removal of the temporary traffic signal, and any changes required by the Engineer. Each intersection will be paid for separately.

TEMPORARY TRAFFIC SIGNAL TIMING

Effective: May 22, 2002

Revised: July 1, 2015

890.02TS

Description.

This work shall consist of developing and maintaining appropriate traffic signal timings for the specified intersection for the duration of the temporary signalized condition, as well as impact to existing traffic signal timings caused by detours or other temporary conditions.

All timings and adjustments necessary for this work shall be performed by an approved Consultant who has previous experience in optimizing Closed Loop Traffic signal Systems for District One of the Illinois Department of Transportation. The Contractor shall contact the Traffic Signal Engineer at (847) 705-4424 for a listing of approved Consultants.

The following tasks are associated with TEMPORARY TRAFFIC SIGNAL TIMING.

- (a) Consultant shall attend temporary traffic signal inspection (turn-on) and/or detour meeting and conduct on-site implementation of the traffic signal timings.
- (b) Consultant shall be responsible for making fine-tuning adjustments to the timings in the field to alleviate observed adverse operating conditions and to enhance operations.
- (c) Consultant shall provide monthly observation of traffic signal operations in the field.
- (d) Consultant shall provide on-site consultation and adjust timings as necessary for construction stage changes, temporary traffic signal phase changes, and any other conditions affecting timing and phasing, including lane closures, detours, and other construction activities.
- (e) Consultant shall make timing adjustments and prepare comment responses as directed by the Area Traffic Signal Operations Engineer.
- (f) Return original timing plan once construction is complete.

Basis of Payment.

The work shall be paid for at the contract unit price each for TEMPORARY TRAFFIC SIGNAL TIMING, which price shall be payment in full for performing all work described herein per intersection. When the temporary traffic signal installation is turned on and/or detour implemented, 50 percent of the bid price will be paid. The remaining 50 percent of the bid price will be paid following the removal of the temporary traffic signal installation and/or detour.

LED INTERNALLY ILLUMINATED STREET NAME SIGN

Effective: May 22, 2002

Revised: July 1, 2021

891.02TS

Description.

This work shall consist of furnishing and installing a LED internally illuminated street name sign.

Materials.

The illuminated street name sign shall be as follows.

(a) Description.

The LEDs shall be white in color. The LED internally illuminated street name sign shall display the designated street name clearly and legibly in the daylight hours without being energized and at night when energized. White translucent Type ZZ reflective sheeting sign faces with the street name applied in transparent green shall be installed on the street sign acrylic panels which shall be affixed to the interior of the sign enclosure. Sheeting material shall be of one continuous piece. Paneling shall not be allowed. Hinged door(s) shall be provided for easy access to perform general cleaning and maintenance operations. Illumination shall occur with LED Light Engine as specified.

(b) Environmental Requirements.

The LED lamp shall be rated for use in the ambient operating temperature range of -40 to +50°C (-40 to +122°F) for storage in the ambient temperature range of -40 to +75°C (-40 to +167°F).

(c) General Construction.

1. The LED components, power supply, and wiring harness shall be arranged as to allow for maintenance, up to and including the replacement of all three components. The LED Light Engine shall be mounted in the top and/or bottom of the sign housing and no components of the light source shall sit between the sign faces.
2. The assembly and manufacturing processes of the LED Light Engine shall be designed to ensure that all LED and electronic components are adequately supported to withstand mechanical shocks and vibrations in compliance with the specifications of the ANSI C136.31-2001 standards.

(d) Mechanical Construction.

1. The sign shall be constructed using a weatherproof, aluminum housing consisting of an extruded aluminum with the maximum sign dimensions of 30" in height, 96" in length, 10.75" in depth (including the drip edge) and shall not weight more than 110 pounds. All housing corners are continuous TIG (Tungsten Inert Gas) welded to provide a weatherproof seal.

2. The sign doors shall be continuous TIG welded along the two corners with the other two screwed together to make one side of the door removable for installation of the sign face. The door is fastened to the housing on the bottom by a full-length stainless-steel hinge. The sign shall also be fabricated in a way to ensure that no components fall out while a technician is opening or working inside the sign enclosure. The door shall be held secure onto a 1" wide by 5/32" thick neoprene gasket by an appropriate number of quarter-turn fasteners to form a watertight seal between the door and the housing.
 3. The sign face shall be constructed of .125" white translucent polycarbonate or acrylic. Sign legend shall be according to D1 Mast Arm Mounted Street Name Sign detail and MUTCD. The sign face legend background shall consist of translucent Type ZZ white reflective sheeting and transparent green film applied to the front of the sign face. The legend shall be framed by a white border. A logo symbol and/or name of the community may be included with approval of the Engineer.
 4. All fasteners and hardware shall be corrosion resistant stainless steel. No special tools shall be required for routine maintenance.
 5. All wiring shall be secured by insulated wire compression nuts or barrier type terminal blocks.
 6. A wire entrance junction box shall be supplied with the sign assembly. The box may be supplied mounted to the exterior or interior of the sign and shall provide a weather tight seal.
 7. A photoelectric switch shall be mounted inside control cabinet to control lighting functions for day and night display. Each sign shall be individually fused.
 8. Brackets and Mounting: LED internally illuminated street name signs will be factory drilled to accommodate mast arm two-point support assembly mounting brackets unless indicated otherwise in the plans. A 72" stainless steel safety cable shall be included and installed with each mounting bracket.
- (e) Electrical.
1. Photocell shall be rated 105-305V, turn on at 1.5 fcs. with a 3-5 second delay. A manufacturer's warranty of six (6) years shall be provided. Power consumption shall be no greater than 1 watt at 120V.
 2. The LED Light Engine shall operate from a 60 +- 3 cycle AC line power over a voltage range of 80 to 135 Vac rms. Fluctuations in line voltage over the range of 80 to 135 Vac shall not affect luminous intensity by more than +- 10%.

3. Total harmonic distortion induced into the AC power line by the LED Light Engine, operated at a nominal operating voltage and at a temperature of +25°C (+77°F), shall not exceed 20%.
4. The LED Light Engine shall cycle ON and OFF with a photocell as shown on the detail sheet and shall not exceed 120 Watts. The signs shall be installed such that they are not energized when traffic signals are powered by an alternate energy source such as a generator or uninterruptable power supply (UPS).

(f) Photometric Requirements.

1. The entire surface of the sign panel shall be evenly illuminated. The average maintained luminous intensity measured across the letters, operating under the conditions defined in Environmental Requirements and Wattage Sections shall be of a minimum value of 100 cd/m².
2. The manufacturer shall make available independent laboratory test results to verify compliance to Voltage Range and Luminous Intensity Distribution Sections.
3. LED shall have a color temperature of 5200k nominal, CRI of 80 with a life expectancy of 75,000 hrs.

(g) Quality Assurance.

The LED Light Engine shall be manufactured in accordance with a vendor quality assurance (QA) program. The production QA shall include statistically controlled routine tests to ensure minimum performance levels of the LED Light Engine build to meet this specification. QA process and test result documentations shall be kept on file for a minimum period of seven (7) years. The LED Light Engine that does not satisfy the production QA testing performance requirements shall not be labeled, advertised, or sold as conforming to these specifications. Each LED Light Engine shall be identified by a manufacturer's serial number for warranty purposes. LED Light Engines shall be replaced or repaired if they fail to function as intended due to workmanship or material defects within the first sixty (60) months from the date of acceptance. LED Light Engines that exhibit luminous intensities less than the minimum value specified in Photometric Section within the first thirty-six (36) months from the date of acceptance shall be replaced or repaired.

Installation.

The sign shall be located on a steel traffic signal mast arm no further than 8-feet from the center of the pole to the center of the sign at a height of between 16 to 18-feet above traveled pavement. Mounting hardware shall be from an approved vendor, utilizing stainless steel components.

Basis of Payment.

This work will be paid for at the contract unit price each for LED INTERNALLY ILLUMINATED STREET NAME SIGN, of the length as specified in the contract plans which shall be payment in full for furnishing and installing the LED internally illuminated street

Rand Road (FAP 334), Central Road (FAU 1300),
Mount Prospect Road (FAU 1300)
Village of Mount Prospect
Contract No. 61H44
Section No. 17-00166-00-CH
Cook County

name sign, complete with circuitry and mounting hardware including photocell, circuit breaker, fusing, relay, connections and cabling as shown on the plans for proper operation and installation.

The Illuminated street name sign cable will be paid for at the contract unit price per foot for ELECTRIC CABLE IN CONDUIT, STREET NAME SIGN, NO. 14 3C, TYPE SOOW, which price shall be payment in full for furnishing, installing and making all electrical connections necessary for proper operations.

ILLUMINATED LED STREET NAME SIGN CABLE

This specification sets forth the minimum requirements for providing and installing a power cable for a LED internally illuminated street name sign per the applicable articles of Section 873 of the Standard Specifications and as shown in the plans. The cable shall be insulated and contain three copper conductors, No. 14 gauge, type SOOW.

Basis of Measurement.

The length of measurement shall be the distance horizontally measured between changes in direction, including cable in mast arms and slack cables. All vertical cables will not be measured for payment. Slack cables will be paid for as lead-in cables in conduit.

Basis of Payment

The Illuminated street name sign cable will be paid for at the contract unit price per FOOT for ELECTRIC CABLE IN CONDUIT, STREET NAME SIGN, NO. 14 3C, TYPE SOOW, which price shall be payment in full for furnishing and installing the cable and making all electrical connections.

REMOVE EXISTING TRAFFIC SIGNAL EQUIPMENT

Effective: May 22, 2002

Revised: July 1, 2015

895.02TS

Add the following to Article 895.05 of the Standard Specifications:

The traffic signal equipment which is to be removed and is to become the property of the Contractor shall be disposed of outside the right-of-way at the Contractor's expense.

All equipment to be returned to the State shall be delivered by the Contractor to the State's Traffic Signal Maintenance Contractor's main facility. The Contractor shall contact the State's Electrical Maintenance Contractor to schedule an appointment to deliver the equipment. No equipment will be accepted without a prior appointment. All equipment shall be delivered within 30 days of removing it from the traffic signal installation. The Contractor shall provide one hard copy and one electronic file of a list of equipment that is to remain the property of the State, including model and serial numbers, where applicable. The Contractor shall also provide a copy of the Contract plan or special provision showing the quantities and type of equipment. Controllers and peripheral equipment from the same location shall be boxed together (equipment from different locations may not be mixed) and all boxes and controller cabinets shall be clearly marked or labeled with the location from which they were removed. If equipment is not returned according to these requirements, it will be rejected by the State's Electrical Maintenance Contractor. The Contractor shall be responsible for the condition of the traffic signal equipment from the time Contractor takes maintenance of the signal installation until the acceptance of a receipt drawn by the State's Electrical Maintenance Contractor indicating the items have been returned in good condition.

The Contractor shall safely store and arrange for pick up or delivery of all equipment to be returned to agencies other than the State. The Contractor shall package the equipment and provide all necessary documentation as stated above.

Traffic signal equipment which is lost or not returned to the Department for any reason shall be replaced with new equipment meeting the requirements of these Specifications at no cost to the contract.

REMOVE EXISTING DOUBLE HANDHOLE

Description. This work shall consist of the removal of existing double handholes.

General. This work shall be completed in accordance with Article 895.05(b) of the Standard Specifications.

Basis of Payment. This work shall be paid for at the contract unit price per each for REMOVE EXISTING DOUBLE HANDHOLE.

UNDERGROUND RACEWAYS

Effective: March 1, 2015

Revise Article 810.04 of the Standard Specifications to read:

“Installation. All underground conduits shall have a minimum depth of 30-inches (700 mm) below the finished grade.”

Add the following to Article 810.04 of the Standard Specifications:

“All metal conduit installed underground shall be Rigid Steel Conduit unless otherwise indicated on the plans.”

Add the following to Article 810.04 of the Standard Specifications:

“All raceways which extend outside of a structure or duct bank but are not terminated in a cabinet, junction box, pull box, handhole, post, pole, or pedestal shall extend a minimum of 300 mm (12”) or the length shown on the plans beyond the structure or duct bank. The end of this extension shall be capped and sealed with a cap designed for the conduit to be capped.

The ends of rigid metal conduit to be capped shall be threaded, the threads protected with full galvanizing, and capped with a threaded galvanized steel cap.

The ends of rigid nonmetallic conduit and coilable nonmetallic conduit shall be capped with a rigid PVC cap of not less than 3 mm (0.125”) thick. The cap shall be sealed to the conduit using a room-temperature-vulcanizing (RTV) sealant compatible with the material of both the cap and the conduit. A washer or similar metal ring shall be glued to the inside center of the cap with epoxy, and the pull cord shall be tied to this ring.”

COMBINATION LIGHTING CONTROLLER

Effective: February 1, 2015 Revised: April 1, 2018

Description

This item shall consist of furnishing and installing a combination lighting controller complete with the enclosure indicated on the drawings and wiring for the control of highway lighting as specified herein, shown on the Contract Drawings and as directed by the Engineer.

Materials

Photo control. The photocell shall be in accordance with Article 1068.01(e)(2) except that the size of the photocell shall allow mounting under the cabinet roof overhang.

Overcurrent Protection. Circuit breakers shall be 30A unless otherwise indicated. Circuit breakers shall be standard listed molded case, thermal-magnetic bolt-on type circuit breakers with trip free indicating handles. 120 V circuit breakers shall have a listed interrupting rating of not less than 10,000 rms symmetrical amperes at rated circuit voltage for which the breaker is applied.

Contactor. The contactor shall be a 30A, 2-Pole, 120VAC@60Hz electrically held contactor.

Hand-Off-Auto switch. 30mm. 3 position selector switch.

Enclosure. A molded fiberglass polyester NEMA 4X enclosure with matching cover shall utilized. A molded hinge with stainless steel pin shall be used with a stainless steel draw type "snap latch" door fastener. Threaded brass inserts shall be provided for the non-conductive inner mounting panel.

CONSTRUCTION REQUIREMENTS

General

This item shall be constructed in full accord with Section 825 of the Standard Specifications and the details as indicated in the Contract Drawings.

Basis of Payment

This work shall be paid for at the contract unit price each for COMBINATION LIGHTING CONTROLLER which price shall be payment in full for furnishing, installing, shipping, handling, tools and appurtenances necessary for a complete and operational unit as indicated on the drawings and as approved by the Engineer

GENERAL ELECTRICAL REQUIREMENTS

Effective: June 1, 2021

This special provision replaces Articles 801.01 – 801.07, 801.09 – 801-16 of the Standard Specifications.

Definition. Codes, standards, and industry specifications cited for electrical work shall be by definition the latest adopted version thereof, unless indicated otherwise.

Materials by definition shall include electrical equipment, fittings, devices, motors, appliances, fixtures, apparatus, all hardware and appurtenances, and the like, used as part of, or in connection with, electrical installation.

Standards of Installation. Materials shall be installed according to the manufacturer's recommendations, the NEC, OSHA, the NESC, and AASHTO's Standard Specifications for Structural Supports for Highway Signs, Luminaires, and Traffic Signals.

All like materials shall be from the same manufacturer. Listed and labeled materials shall be used whenever possible. The listing shall be according to UL or an approved equivalent.

Safety and Protection. Safety and protection requirements shall be as follows.

Safety. Electrical systems shall not be left in an exposed or otherwise hazardous condition. All electrical boxes, cabinets, pole handholes, etc. which contain wiring, either energized or non-energized, shall be closed or shall have covers in place and be locked when possible, during nonworking hours.

Protection. Electrical raceway or duct openings shall be capped or otherwise sealed from the entrance of water and dirt. Wiring shall be protected from mechanical injury.

Equipment Grounding Conductor. All electrical systems, materials, and appurtenances shall be grounded. Good ground continuity throughout the electrical system shall be assured, even though every detail of the requirements is not specified or shown. Electrical circuits shall have a continuous insulated equipment grounding conductor. When metallic conduit is used, it shall be bonded to the equipment grounding conductor, but shall not be used as the equipment grounding conductor.

Detector loop lead-in circuits, circuits under 50 volts, and runs of fiber optic cable will not require an equipment grounding conductor.

Where connections are made to painted surfaces, the paint shall be scraped to fully expose metal at the connection point. After the connection is completed, the paint system shall be repaired to the satisfaction of the Engineer.

Bonding of all boxes and other metallic enclosures throughout the wiring system to the equipment grounding conductor shall be made using a splice and pigtail connection. Mechanical connectors shall have a serrated washer at the contact surface.

All connections to structural steel or fencing shall be made with exothermic welds. Care shall be taken not to weaken load carrying members. Where connections are made to epoxy coated reinforcing steel, the epoxy coating shall be sufficiently removed to facilitate a mechanical connection. The epoxy coating shall be repaired to the satisfaction of the Engineer. Where connections are made to insulated conductors, the connection shall be wrapped with at least four layers of electrical tape extended 6 in. (150 mm) onto the conductor insulation.

Submittals. At the preconstruction meeting, the Contractor shall submit a written listing of manufacturers for all major electrical and mechanical items. The list of manufacturers shall be binding, except by written request from the Contractor and approval by the Engineer. The request shall include acceptable reasons and documentation for the change.

Within 30 calendar days after contract execution, the Contractor shall submit, for approval, through the Traffic Operations Construction Submittals Application (TOCS) system the manufacturer's product data (for standard products and components) and detailed shop drawings (for fabricated items). Submittals for the materials for each individual pay item shall be complete in every respect. Submittals which include multiple pay items shall have all submittal material for each item or group of items covered by a particular specification, grouped together and the applicable pay item identified. Various submittals shall, when taken together, form a complete coordinated package. A partial submittal will be returned without review unless prior written permission is obtained from the Engineer.

Each PDF document must be a vector format PDF from the originating supplier or program and not scanned images.

The submittal must clearly identify the specific model number or catalog number of the item being proposed.

For further information and requirements regarding the TOCS system, the Contractor should reference the *TOCS Contractors User Guide*.

The submittal shall be properly identified by route, section, county, and contract number.

The Contractor shall have reviewed the submittal material and affixed his/her stamp of approval, with date and signature, for each individual item.

Illegible print, incompleteness, inaccuracy, or lack of coordination will be grounds for rejection.

Items from multiple disciplines shall not be combined on a single submittal and transmittal. Items for lighting, signals, surveillance and CCTV must be in separate submittals since they may be reviewed by various personnel in various locations.

The Department may provide a list of pay items broken out by discipline upon request for a particular contract.

The Engineer will review the submittals for conformance with the design concept of the project according to Article 105.04 and the following. The Engineer will stamp the drawings indicating their status as "Approved", "Approved as Noted", "Disapproved", or "Information Only". Since the Engineer's review is for conformance with the design concept only, it shall be the Contractor's responsibility to coordinate the various items into a working system as specified. The Contractor shall not be relieved from responsibility for errors or omissions in the shop, working, or layout drawings by the Engineer's approval thereof. The Contractor shall still be in full compliance with contract and specification requirements.

All submitted items reviewed and marked "Disapproved" or "Approved as Noted" shall be resubmitted by the Contractor in their entirety, unless otherwise indicated within the submittal comments.

Work shall not begin until the Engineer has approved the submittal. Material installed prior to approval by the Engineer, will be subject to removal and replacement at no additional cost to the Department.

Certifications. When certifications are specified and are available prior to material manufacture, the certification shall be included in the submittal information. When specified and only available after manufacture, the submittal shall include a statement of intent to furnish certification. All certificates shall be complete with all appropriate test dates and data.

Authorized Project Delay. See Article 801.08

Maintenance transfer and Preconstruction Inspection:

General. Before performing any excavation, removal, or installation work (electrical or otherwise) at the site, the Contractor shall request a maintenance transfer and preconstruction site inspection, to be held in the presence of the Engineer and a representative of the party or parties responsible for maintenance of any lighting and/or traffic control systems which may be affected by the work. The request for the maintenance transfer and preconstruction inspection shall be made no less than fourteen (14) calendar days prior to the desired inspection date. The maintenance transfer and preconstruction inspection shall:

Establish the procedures for formal transfer of maintenance responsibility required for the construction period.

Establish the approximate location and operating condition of lighting and/or traffic control systems which may be affected by the work

Marking of Existing Cable Systems. The party responsible for maintenance of any existing lighting and/or traffic control systems at the project site will, at the Contractor's request, mark

and/or stake, once per location, all underground cable routes owned or maintained by the State. A project may involve multiple "locations" where separated electrical systems are involved (i.e. different controllers). The markings shall be taken to have a horizontal tolerance of at least 1 foot (304.8 mm) to either side. The request for the cable locations and marking shall be made at the same time the request for the maintenance transfer and preconstruction inspection is made. The Contractor shall exercise extreme caution where existing buried cable runs are involved. The markings of existing systems are made strictly for assistance to the Contractor and this does not relieve the Contractor of responsibility for the repair or replacement of any cable run damaged in the course of his work, as specified elsewhere herein. Note that the contractor shall be entitled to only one request for location marking of existing systems and that multiple requests may only be honored at the contractor's expense. No locates will be made after maintenance is transferred, unless it is at the contractor's expense.

Condition of Existing Systems. The Contractor shall conduct an inventory of all existing electrical system equipment within the project limits, which may be affected by the work, making note of any parts which are found broken or missing, defective or malfunctioning. Megger and load readings shall be taken for all existing circuits which will remain in place or be modified. If a circuit is to be taken out in its entirety, then readings do not have to be taken. The inventory and test data shall be reviewed with and approved by the Engineer and a record of the inventory shall be submitted to the Engineer for the record. Without such a record, all systems transferred to the Contractor for maintenance during construction shall be returned at the end of construction in complete, fully operating condition."

Maintenance and Responsibility During Construction.

Lighting Operation and Maintenance Responsibility. The scope of work shall include the assumption of responsibility for the continuing operation and maintenance of the existing, proposed, temporary, sign and navigation lighting, or other lighting systems and all appurtenances affected by the work as specified elsewhere herein. Maintenance of lighting systems is specified elsewhere and will be paid for separately

The proposed lighting system must be operational prior to opening the roadway to traffic unless temporary lighting exists which is designed and installed to properly illuminate the roadway.

Energy and Demand Charges. The payment of basic energy and demand charges by the electric utility for existing lighting which remains in service will continue as a responsibility of the Owner, unless otherwise indicated. Unless otherwise indicated or required by the Engineer duplicate lighting systems (such as temporary lighting and proposed new lighting) shall not be operated simultaneously at the Owner's expense and lighting systems shall not be kept in operation during long daytime periods at the Owner's expense. Upon written authorization from the Engineer to place a proposed new lighting system in service, whether the system has passed final acceptance or not, (such as to allow temporary lighting to be removed), the Owner will accept responsibility for energy and demand charges for such lighting, effective the date of authorization. All other energy and demand payments to the utility shall be the responsibility of the Contractor until final acceptance.

Damage to Electrical Systems. Should damage occur to any existing electrical systems through the Contractor's operations, the Engineer will designate the repairs as emergency or non-emergency in nature.

Emergency repairs shall be made by the Contractor, or as determined by the Engineer, the Department, or its agent. Non-emergency repairs shall be performed by the Contractor within six working days following discovery or notification. All repairs shall be performed in an expeditious manner to assure all electrical systems are operational as soon as possible. The repairs shall be performed at no additional cost to the Department.

Lighting. An outage will be considered an emergency when three or more lights on a circuit or three successive lights are not operational. Knocked down materials, which result in a danger to the motoring public, will be considered an emergency repair.

Temporary aerial multi-conductor cable, with grounded messenger cable, will be permitted if it does not interfere with traffic or other operations, and if the Engineer determines it does not require unacceptable modification to existing installations.

Marking Proposed Locations for Highway Lighting System. The Contractor shall mark or stake the proposed locations of all poles, cabinets, junction boxes, pull boxes, handholes, cable routes, pavement crossings, and other items pertinent to the work. A proposed location inspection by the Engineer shall be requested prior to any excavation, construction, or installation work after all proposed installation locations are marked. Any work installed without location approval is subject to corrective action at no additional cost to the Department.

Inspection of electrical work. Inspection of electrical work shall be according to Article 105.12 and the following.

Before any splice, tap, or electrical connection is covered in handholes, junction boxes, light poles, or other enclosures, the Contractor shall notify and make available such wiring for the Engineer's inspection.

Testing. Before final inspection, the electrical work shall be tested. Tests may be made progressively as parts of the work are completed or may be made when the work is complete. Tests shall be made in the presence of the Engineer. Items which fail to test satisfactorily shall be repaired or replaced. Tests shall include checks of control operation, system voltages, cable insulation, and ground resistance and continuity.

The forms for recording test readings will be available from the Engineer in electronic format. The Contractor shall provide the Engineer with a written report of all test data including the following:

- Voltage Tests

- Amperage Tests
- Insulation Resistance Tests
- Continuity tests
- Detector Loop Tests

Lighting systems. The following tests shall be made.

- (1) Voltage Measurements. Voltages in the cabinet from phase to phase and phase to neutral, at no load and at full load, shall be measured and recorded. Voltage readings at the last termination of each circuit shall be measured and recorded.
- (2) Insulation Resistance. Insulation resistance to ground of each circuit at the cabinet shall be measured and recorded with all loads disconnected. Prior to performance of the insulation resistance test, the Contractor shall remove all fuses within all light pole bases on a circuit to segregate the luminaire loads.

On tests of new cable runs, the readings shall exceed 50 megohms for phase and neutral conductors with a connected load over 20A and shall exceed 100 megohms for conductors with a connected load of 20A or less.

On tests of cable runs which include cables which were existing in service prior to this contract, the resistance readings shall be the same or better than the readings recorded at the maintenance transfer at the beginning of the contract. Measurements shall be taken with a megohm meter approved by the Engineer.

- (3) Loads. The current of each circuit, phase main, and neutral shall be measured and recorded. The Engineer may direct reasonable circuit rearrangement. The current readings shall be within ten percent of the connected load based on material ratings.
- (4) Ground Continuity. Resistance of the system ground as taken from the farthest extension of each circuit run from the controller (i.e. check of equipment ground continuity for each circuit) shall be measured and recorded. Readings shall not exceed 2.0 ohms, regardless of the length of the circuit.
- (5) Resistance of Grounding Electrodes. Resistance to ground of all grounding electrodes shall be measured and recorded. Measurements shall be made with a ground tester during dry soil conditions as approved by the Engineer. Resistance to ground shall not exceed 10 ohms.

ITS. The following test shall be made in addition to the lighting system test above.

Detector Loops. Before and after permanently securing the loop in the pavement, the resistance, inductance, resistance to ground, and quality factor for each loop and lead-in circuit shall be tested. The loop and lead-in circuit shall have an

inductance between 20 and 2500 microhenries. The resistance to ground shall be a minimum of 50 megohms under any conditions of weather or moisture. The quality factor (Q) shall be 5 or greater.

Fiber Optic Systems. Fiber optic testing shall be performed as required in the fiber optic cable special provision and the fiber optic splice special provision.

All test results shall be furnished to the Engineer seven working days before the date the inspection is scheduled.

Contract Guarantee. The Contractor shall provide a written guarantee for all electrical work provided under the contract for a period of six months after the date of acceptance with the following warranties and guarantees.

- (a) The manufacturer's standard written warranty for each piece of electrical material or apparatus furnished under the contract. The warranty for light emitting diode (LED) modules, including the maintained minimum luminance, shall cover a minimum of 120 months from the date of delivery.
- (b) The Contractor's written guarantee that, for a period of six months after the date of final acceptance of the work, all necessary repairs to or replacement of said warranted material or apparatus for reasons not proven to have been caused by negligence on the part of the user or acts of a third party shall be made by the Contractor at no additional cost to the Department.
- (c) The Contractor's written guarantee for satisfactory operation of all electrical systems furnished and constructed under the contract for a period of six months after final acceptance of the work.

The warranty for an uninterruptable power supply (UPS) shall cover a minimum of two years from date the equipment is placed in operation; however, the batteries of the UPS shall be warranted for full replacement for a minimum of five years.

Record Drawings. Alterations and additions to the electrical installation made during the execution of the work shall be made on the PDF copy of the as-Let documents using a PDF editor. Hand drawn notations or markups and scanned plans are not acceptable. These drawings shall be updated daily and shall be available for inspection by the Engineer during the work. The record drawings shall include the following:

- Cover Sheet
- The Electrical Maintenance Contract Management System (EMCMS) location designation, i.e. "L" number
- Summary of Quantities, electrical items only
- Legends, Schedules, and Notes
- Plan Sheets

- Pertinent Details
- Single Line Diagrams
- Other useful information useful to locate and maintain the systems.

Any modifications to the details shall be indicated. Final quantities used shall be indicated on the Summary of Quantities. Foundation depths used shall also be listed.

As part of the record drawings, the Contractor shall inventory all materials, new or existing, on the project and record information on inventory sheets provided by the Engineer.

The inventory shall include:

- Location of Equipment, including rack, chassis, slot as applicable.
- Designation of Equipment
- Equipment manufacturer
- Equipment model number
- Equipment Version Number
- Equipment Configuration
 - Addressing, IP or other
 - Settings, hardware or programmed
- Equipment Serial Number

The following electronic inventory forms are available from the Engineer:

- Lighting Controller Inventory
- Lighting Inventory
- Light Tower Inspection Checklist
- ITS Location Inventory

The information shall be entered in the forms; handwritten entries will not be acceptable; except for signatures. Electronic file shall also be included in the documentation.

When the work is complete, and seven days before the request for a final inspection, the set of contract drawings, stamped "**RECORD DRAWINGS**", shall be submitted to the Engineer for review and approval and shall be stamped with the date and the signature of the Contractor's supervising Engineer or Electrician. . The record drawings shall be submitted in PDF format through TOCS, on CD-ROM as well as hardcopy's for review and approval.

In addition to the record drawings, PDF copies of the final catalog cuts which have been Approved and Approved as Noted with applicable follow-up shall be submitted along with the record drawings. The PDF files shall clearly indicate either by filename or PDF table of contents the respective pay item number. Specific part or model numbers of items which have been selected shall be clearly visible. Hard copies of the catalog are not required with this submittal.

The Contractor shall provide three sets of electronically produced drawings in a moisture proof pouch to be kept on the inside door of the controller cabinet or other location approved by the Engineer. These drawings shall show the final as-built circuit orientation(s) of the project in the form of a single line diagram with all luminaires numbered and clearly identified for each circuit.

Final documentation shall be submitted as a complete submittal package, i.e. record drawings, test results, inventory, etc. shall be submitted at the same time. Partial piecemeal submittals will be rejected without review.

A total of three hardcopies and two CD-ROMs of the final documentation shall be submitted. The identical material shall also be submitted through the TOCS system utilizing the following final documentation pay item numbers:

Pay Code	Description	Discipline
FDLRD000	Record Drawings - Lighting	Lighting
FDSRD000	Record Drawings - Surveillance	Surveillance
FDTRD000	Record Drawings - Traffic Signal	Traffic Signal
FDIRD000	Record Drawings - ITS	ITS
FDLCC000	Catalog Cuts - Lighting	Lighting
FDSCC000	Catalog Cuts – Surveillance	Surveillance
FDTCC000	Catalog Cuts – Traffic Signal	Traffic Signal
FDICC000	Catalog Cuts - ITS	ITS
FDLWL000	Warranty - Lighting	Lighting
FDSWL000	Warranty - Surveillance	Surveillance
FDTWL000	Warranty - Traffic Signal	Traffic Signal
FDIWL000	Warranty - ITS	ITS
FDLTR000	Test Results - Lighting	Lighting
FDSTR000	Test Results - Surveillance	Surveillance
FDTTR000	Test Results - Traffic Signal	Traffic Signal
FDITR000	Test Results - ITS	ITS
FDLINV00	Inventory - Lighting	Lighting
FDSINV00	Inventory - Surveillance	Surveillance
FDTINV00	Inventory - Traffic Signal	Traffic Signal
FDIINV00	Inventory - ITS	ITS
FDLGPS00	GPS - Lighting	Lighting
FDSGPS00	GPS - Surveillance	Surveillance
FDTGPS00	GPS - Traffic Signal	Traffic Signal
FDIGPS00	GPS - ITS	ITS

Record Drawings shall include Marked up plans, controller info, Service Info, Equipment Settings, Manuals, Wiring Diagrams for each discipline.

Test results shall be all electrical test results, fiber optic OTDR, and Fiber Optic power meter as applicable for each discipline.

GPS Documentation. In addition to the specified record drawings, the Contactor shall record GPS coordinates of the following electrical components being installed, modified or being affected in other ways by this contract:

- All light poles and light towers.
- Handholes and vaults.
- Junction Boxes
- Conduit roadway crossings.
- Controllers.
- Control Buildings.
- Structures with electrical connections, i.e. DMS, lighted signs.
- Electric Service locations.
- CCTV Camera installations.
- Roadway Surveillance installations.
- Fiber Optic Splice Locations.
- Fiber Optic Cables. Coordinates shall be recorded along each fiber optic cable route every 200 feet.
- All fiber optic slack locations shall be identified with quantity of slack cable included. When sequential cable markings are available, those markings shall be documented as cable marking into enclosure and marking out of enclosure.

Datum to be used shall be North American 1983.

Data shall be provided electronically. The electronic format shall be compatible with MS Excel. Latitude and Longitude shall be in decimal degrees with a minimum of 6 decimal places. Each coordinate shall have the following information:

1. District
2. Description of item
3. Designation
4. Use
5. Approximate station
6. Contract Number
7. Date
8. Owner
9. Latitude
10. Longitude
11. Comments

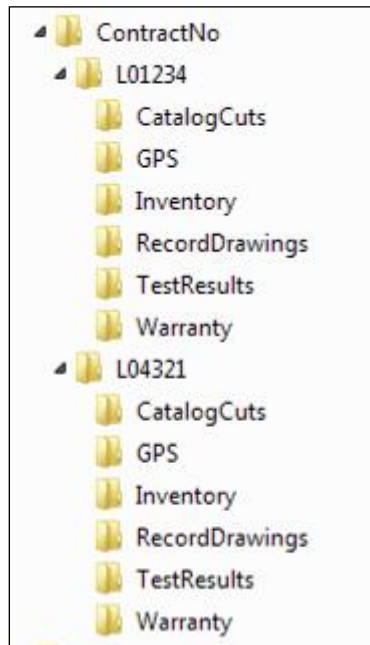
A spreadsheet template will be available from the Engineer for use by the Contractor.

Accuracy. Data collected is to be mapping grade. A handheld mapping grade GPS device shall be used for the data collection. The receiver shall support differential correction and data shall have minimum 5 meter accuracy after post processing.

GPS receivers integrated into cellular communication devices, recreational and automotive GPS devices are not acceptable.

The GPS shall be the product of an established major GPS manufacturer having been in the business for a minimum of 6 years.”

The documents on the CD shall be organized by the Electrical Maintenance Contract Management System (EMCMS) location designation. If multiple EMCMS locations are within the contract, separate folders shall be utilized for each location as follows:



Extraneous information not pertaining to the specific EMCMS location shall not be included in that particular folder and sub-folder.

The inspection will not be made until after the delivery of acceptable record drawings, specified certifications, and the required guarantees.

The Final Acceptance Documentation Checklist shall be completed and is contained elsewhere herein.

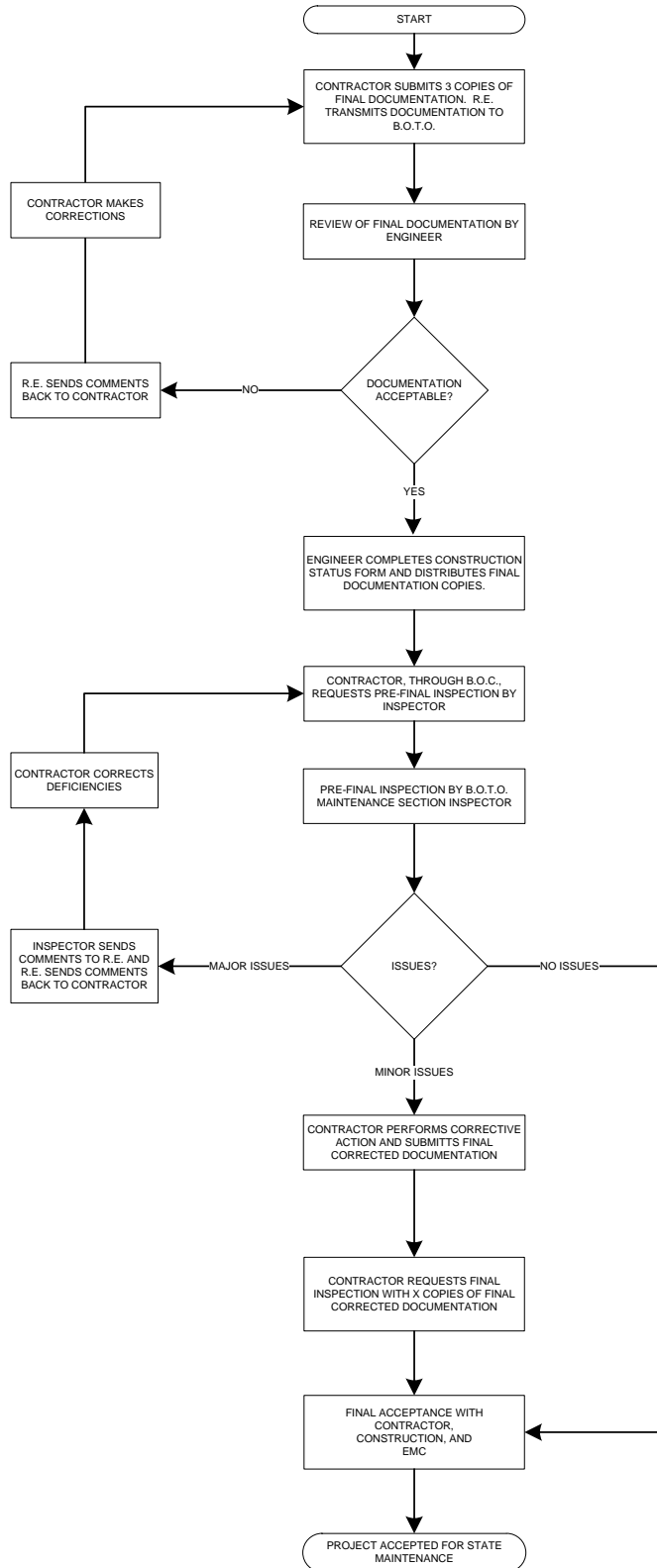
All CD's shall be labeled as illustrated in the CD Label Template contained herein.

Acceptance. Acceptance of electrical work will be given at the time when the Department assumes the responsibility to protect and maintain the work according to Article 107.30 or at the time of final inspection.

When the electrical work is complete, tested, and fully operational, the Contractor shall schedule an inspection for acceptance with the Engineer no less than seven working days prior to the desired inspection date. The Contractor shall furnish the necessary labor and equipment to make the inspection.

A written record of the test readings taken by the Contractor according to Article 801.13 shall be furnished to the Engineer seven working days before the date the inspection is scheduled. Inspection will not be made until after the delivery of acceptable record drawings, specified certifications, and the required guarantees.

Rand Road (FAP 334), Central Road (FAU 1300),
 Mount Prospect Road (FAU 1300)
 Village of Mount Prospect
 Contract No. 61H44
 Section No. 17-00166-00-CH
 Cook County



Final Acceptance Documentation Checklist

LOCATION	
Route	Common Name
Limits	Section
Contract #	County
Controller Designation(s)	EMC Database Location Number(s)

ITEM	Contractor (Verify)	Resident Engineer (Verify)
Record Drawings -Three hardcopies (11" x 17") -Scanned to two CD-ROMs	<input type="checkbox"/> <input type="checkbox"/>	<input type="checkbox"/> <input type="checkbox"/>
Field Inspection Tests -Voltage -Amperage -Cable Insulation Resistance -Continuity -Controller Ground Rod Resistance <small>(Three Hardcopies & scanned to two CD's)</small>	<input type="checkbox"/> <input type="checkbox"/> <input type="checkbox"/> <input type="checkbox"/> <input type="checkbox"/>	<input type="checkbox"/> <input type="checkbox"/> <input type="checkbox"/> <input type="checkbox"/> <input type="checkbox"/>
GPS Coordinates -Excel file <small>(Check Special Provisions, Excel file scanned to two CD's)</small>	<input type="checkbox"/>	<input type="checkbox"/>
Job Warranty Letter <small>(Three Hardcopies & scanned to two CD's)</small>	<input type="checkbox"/>	<input type="checkbox"/>
Catalog Cut Submittals -Approved & Approved as Noted <small>(Scanned to two CD's)</small>	<input type="checkbox"/>	<input type="checkbox"/>
Lighting Inventory Form <small>(Three Hardcopies & scanned to two CD's)</small>	<input type="checkbox"/>	<input type="checkbox"/>
Lighting Controller Inventory Form <small>(Three Hardcopies & scanned to two CD's)</small>	<input type="checkbox"/>	<input type="checkbox"/>
Light Tower Inspection Form <small>(If applicable, Three Hardcopies & scanned to two CD's)</small>	<input type="checkbox"/>	<input type="checkbox"/>

Three Hardcopies & scanned to two CD's shall be submitted for all items above. The CD ROM shall be labeled as shown in the example contained herein.

General Notes:

Record Drawings – The record drawings should contain contract cover sheet, summary of quantities showing all lighting pay item sheets, proposed lighting plans and lighting detail sheets. Submit hardcopies shall be 11” x 17” size. Temporary lighting plans and removal lighting plans should not be part of the set.

Field Inspection Tests – Testing should be done for proposed cables. Testing shall be per standard specifications. Forms shall be neatly filled out.

GPS Coordinates – Check special provisions “General Electrical Requirements”. Submit electronic “EXCEL” file.

Job Warranty Letter – See standard specifications.

Cutsheet Submittal – See special provisions “General Electrical Requirements”. Scan Approved and Approved as Noted cutsheets.

Lighting Inventory Form – Inventory form should include only proposed light poles, proposed light towers, proposed combination (traffic/light pole) lighting and proposed underpass luminaires.

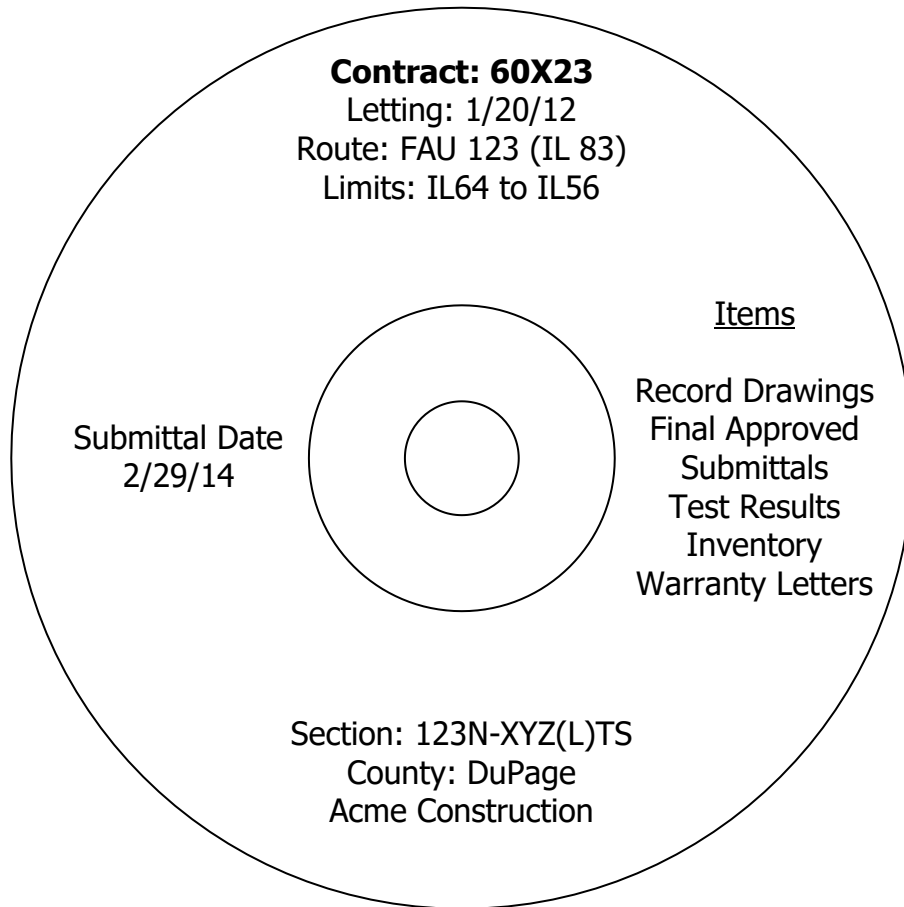
Lighting Controller Inventory Form – Form should be filled out for only proposed lighting controllers.

Light Tower Safety Inspection Form – Form should be filled out for each proposed light tower.

Rand Road (FAP 334), Central Road (FAU 1300),
Mount Prospect Road (FAU 1300)
Village of Mount Prospect
Contract No. 61H44
Section No. 17-00166-00-CH
Cook County

CD LABEL FORMAT TEMPLATE.

Label must be printed; hand written labels are unacceptable and will be rejected.



MAINTENANCE OF LIGHTING SYSTEMS

Effective: March 1, 2017

Replace Article 801.11 and 801.12 of the Standard Specifications with the following:

Effective the date the Contractor's activities (electrical or otherwise) at the job site begin, the Contractor shall be responsible for the proper operation and maintenance of all existing and proposed lighting systems which are part of, or which may be affected by the work until final acceptance or as otherwise determined by the Engineer.

Before performing any excavation, removal, or installation work (electrical or otherwise) at the site, the Contractor shall initiate a request for a maintenance transfer and preconstruction inspection, as specified elsewhere herein, to be held in the presence of the Engineer and a representative of the party or parties responsible for maintenance of any lighting systems which may be affected by the work. During the maintenance preconstruction inspection, the party responsible for existing maintenance shall perform testing of the existing system in accordance with Article 801.13a. The Contractor shall request a date for the preconstruction inspection no less than fourteen (14) days prior to the desired date of the inspection.

The Engineer will document all test results and note deficiencies. All substandard equipment will be repaired or replaced by the existing maintenance contractor, or the Engineer can direct the Contractor to make the necessary repairs under Section 109.04.

Existing lighting systems, when depicted on the plans, are intended only to indicate the general equipment installation of the systems involved and shall not be construed as an exact representation of the field conditions. It remains the Contractor's responsibility to visit the site to confirm and ascertain the exact condition of the electrical equipment and systems to be maintained. Contract documents shall indicate the circuit limits.

Maintenance of Existing Lighting Systems

Existing lighting systems. Existing lighting systems shall be defined as any lighting system or part of a lighting system in service at the time of contract Letting. The contract drawings indicate the general extent of any existing lighting, but whether indicated or not, it remains the Contractor's responsibility to ascertain the extent of effort required for compliance with these specifications and failure to do so will not be justification for extra payment or reduced responsibilities.

Extent of Maintenance.

Partial Maintenance. Unless otherwise indicated, if the number of circuits affected by the contract is equal to or less than 40% of the total number of circuits in a given controller and the controller is not part of the contract work, the Contractor needs only to maintain the affected circuits within the project limits. The project limits are defined as those limits indicated in the contract

plans. Equipment outside of the project limits, on the affected circuits shall be maintained and paid for under Article 109.04. The affected circuits shall be isolated by means of in-line waterproof fuse holders as specified elsewhere and as approved by the Engineer. The unaffected circuits and the controller will remain under the maintenance of the State.

Full Maintenance. If the number of circuits affected by the contract is greater than 40% of the total number of circuits in a given controller, or if the controller is modified in any way under the contract work, the Contractor shall maintain the entire controller and all associated circuits within the project limits. Equipment outside of the project limits shall be maintained and paid for under Article 109.04.

If the existing equipment is damaged by normal vehicular traffic, not contractor operations, is beyond repair and cannot be re-set, the contractor shall replace the equipment in kind with payment made for such equipment under Article 109.04. If the equipment damaged by any construction operations, not normal vehicular traffic, is beyond repair and cannot be re-set, the contractor shall replace the equipment in kind and the cost of the equipment shall be included in the cost of this pay item and shall not be paid for separately.

Maintenance of Proposed Lighting Systems

Proposed Lighting Systems. Proposed lighting systems shall be defined as any lighting system or part of a lighting system, temporary or permanent, which is to be constructed under this contract regardless of the project limits indicated in the plans.

The Contractor shall be fully responsible for maintenance of all items installed under this contract. Maintenance shall include, but not be limited to, any equipment failures or malfunctions as well as equipment damage either by the motoring public, Contractor operations, vandalism, or other means. The potential cost of replacing or repairing any malfunctioning, damaged, or vandalized equipment shall be included in the bid price of this item and will not be paid for separately.

Lighting System Maintenance Operations

The Contractor's responsibility shall include all applicable responsibilities of the Electrical Maintenance Contract, State of Illinois, Department of Transportation, Division of Highways, District One. These responsibilities shall include the maintenance of lighting units (including sign lighting), cable runs and lighting controls. In the case of a pole knockdown or sign light damage, the Contractor shall promptly clear the lighting unit and circuit discontinuity and restore the system to service. The equipment shall then be re-set by the contractor within the time limits specified herein.

If the existing equipment is damaged by normal vehicular traffic, not contractor operations, is beyond repair and cannot be re-set, the contractor shall replace the equipment in kind with

payment made for such equipment under Article 109.04. If the equipment damaged by any construction operations, not normal vehicular traffic, is beyond repair and cannot be re-set, the contractor shall replace the equipment in kind and the cost of the equipment shall be included in the cost of this pay item and shall not be paid for separately.

Responsibilities shall also include weekly night-time patrol of the lighting system, with patrol reports filed immediately with the Engineer and with deficiencies corrected within 24 hours of the patrol. Patrol reports shall be presented on standard forms as designated by the Engineer. Uncorrected deficiencies may be designated by the Engineer as necessitating emergency repairs as described elsewhere herein.

The following chart lists the maximum response, service restoration, and permanent repair time the Contractor will be allowed to perform corrective action on specific lighting system equipment.

INCIDENT OR PROBLEM	SERVICE RESPONSE TIME	SERVICE RESTORATION TIME	PERMANENT REPAIR TIME
Control cabinet out	1 hour	4 hours	7 Calendar days
Hanging mast arm	1 hour to clear	na	7 Calendar days
Radio problem	1 hour	4 hours	7 Calendar days
Motorist caused damage or leaning light pole 10 degrees or more	1 hour to clear	4 hours	7 Calendar days
Circuit out – Needs to reset breaker	1 hour	4 hours	na
Circuit out – Cable trouble	1 hour	24 hours	21 Calendar days
Outage of 3 or more successive lights	1 hour	4 hours	na
Outage of 75% of lights on one tower	1 hour	4 hours	na
Outage of light nearest RR crossing approach, Islands and gores	1 hour	4 hours	na
Outage (single or multiple) found on night outage survey or reported to EMC	na	na	7 Calendar days
Navigation light outage	na	na	24 hours

- Service Response Time -- amount of time from the initial notification to the Contractor until a patrolman physically arrives at the location.
- Service Restoration Time – amount of time from the initial notification to the Contractor until the time the system is fully operational again (In cases of motorist caused damage the undamaged portions of the system are operational.)

- Permanent Repair Time – amount of time from initial notification to the Contractor until the time permanent repairs are made if the Contractor was required to make temporary repairs to meet the service restoration requirement.

Failure to provide this service will result in liquidated damages of \$500 per day per occurrence. In addition, the Department reserves the right to assign any work not completed within this timeframe to the Electrical Maintenance Contractor. All costs associated to repair this uncompleted work shall be the responsibility of the Contractor. Failure to pay these costs to the Electrical Maintenance Contractor within one month after the incident will result in additional liquidated damages of \$500 per month per occurrence. Unpaid bills will be deducted from any monies owed to the Contractor. Repeated failures and/or a gross failure of maintenance shall result in the State's Electrical Maintenance Contractor being directed to correct all deficiencies and the resulting costs deducted from any monies owed the contractor.

Damage caused by the Contractor's operations shall be repaired at no additional cost to the Contract.

Operation of Lighting

The lighting shall be operational every night, dusk to dawn. Duplicate lighting systems (such as temporary lighting and proposed new lighting) shall not be operated simultaneously. Lighting systems shall not be kept in operation during long daytime periods.

Method of Measurement

The contractor shall demonstrate to the satisfaction of the Engineer that the lighting system is fully operational prior to submitting a pay request. Failure to do so will be grounds for denying the pay request. Months in which the lighting systems are not maintained and not operational will not be paid. Payment shall not be made retroactively for months in which lighting systems were not operational.

Basis of Payment. Maintenance of lighting systems shall be paid for at the contract unit price per calendar month for MAINTENANCE OF LIGHTING SYSTEM.

LUMINAIRE SAFETY CABLE ASSEMBLY

Effective: January 1, 2012

Description: This item shall consist of providing a luminaire safety cable assembly as specified herein and as indicated in the plans.

Materials. Materials shall be according to the following:

Wire Rope. Cables (wire rope) shall be manufactured from Type 304 or Type 316 stainless steel having a maximum carbon content of 0.08 % and shall be a stranded assembly. Cables shall be 3.18 mm (0.125") diameter, 7x19 Class strand core and shall have no strand joints or strand splices.

Cables shall be manufactured and listed for compliance with Federal Specification RR-W-410 and Mil-DTL-83420.

Cable terminals shall be stainless steel compatible with the cable and as recommended by the cable manufacturer. Terminations and clips shall be the same stainless steel grade as the wire rope they are connected to.

U-Bolts. U-Bolts and associated nuts, lock washers, and mounting plates shall be manufactured from Type 304 or Type 316 stainless steel.

Construction Requirements. The safety cable assembly shall be installed as indicated in the plan details. One end of the cable assembly shall have a loop fabricated from a stainless steel compression sleeve. The other end of the cable assembly shall be connected with stainless steel wire rope clips as indicated. Slack shall be kept to a minimum to prevent the luminaire from creeping off the end of the mast arm. Unless otherwise indicated in the plans, the luminaire safety cable shall only be used in conjunction with luminaires which are directly above the traveled pavement.

Basis of Payment: This work shall be paid for at the contract price each for LUMINAIRE SAFETY CABLE ASSEMBLY, which shall be payment for the work as described herein and as indicated in the plans.

ROADWAY LUMINAIRE, LED

Effective: July 1, 2021

Description.

This work shall consist of furnishing and installing a roadway LED luminaire as shown on the plans, as specified herein.

General.

The luminaire including the housing, driver and optical assembly shall be assembled in the U.S.A. The luminaire shall be assembled by and manufactured by the same manufacturer. The luminaire shall be mechanically strong and easy to maintain. The size, weight, and shape of the luminaire shall be designed so as not to incite detrimental vibrations in its respective pole and it shall be compatible with the pole and arm. All electrical and electronic components of the luminaire shall comply with the requirements of Restriction of Hazardous Materials (RoHS) regulations. The luminaire shall be listed for wet locations by an NRTL and shall meet the requirements of UL 1598 and UL 8750

Submittal Requirements.

The Contractor shall also the following manufacturer's product data for each type of luminaire:

1. Descriptive literature and catalogue cuts for luminaire, LED driver, and surge protection device. Completed manufacturer's luminaire ordering form with the full catalog number provided
2. LED drive current, total luminaire input wattage and total luminaire current at the system operating voltage or voltage range and ambient temperature of 25 C.
3. LED efficacy per luminaire expressed in lumens per watt (l/w).
4. Initial delivered lumens at the specified color temperature, drive current, and ambient temperature.
5. IES file associated with each submitted luminaire in the IES LM-63 format.
6. Computer photometric calculation reports as specified and in the luminaire performance table.
7. TM-15 BUG rating report.
8. Isofootcandle chart with max candela point and half candela trace indicated.

9. Documentation of manufacturers experience and verification that luminaires were assembled in the U.S.A. as specified.
10. Written warranty.

Upon request by the Engineer, submittals shall also include any or all the following:

- a. TM-21 calculator spreadsheet (XLSX or PDF format) and if available, TM-28 report for the specified luminaire or luminaire family. Both reports shall be for 50,000 hours at an ambient temperature of 77 °F (25 °C).
- b. LM-79 report with National Voluntary Laboratory Accreditation Program (NVLAP) current at the time of testing in PDF format inclusive of the following: isofootcandle diagram with half candela contour and maximum candela point; polar plots through maximum plane and maximum cone; coefficient of utilization graph; candela table; and spectral distribution graph and chromaticity diagram.
- c. LM-80 report for the specified LED package in PDF format and if available, LM-84 report for the specified luminaire or luminaire family in PDF format. Both reports shall be conducted by a laboratory with NVLAP certification current at the time of testing.
- d. AGi32 calculation file matching the submittal package.
- e. In Situ Temperature Measurement Test (ISTMT) report for the specified luminaire or luminaire family in PDF format.
- f. Vibration test report in accordance with ANSI C136.31 in PDF format.
- g. ASTM B117/ASTM D1654 (neutral salt spray) test and sample evaluation report in PDF format.
- h. ASTM G154 (ASTM D523) gloss test report in PDF format.
- i. LED drive current, total luminaire input wattage, and current over the operating voltage range at an ambient temperature of 77 °F (25 °C).
- j. Power factor (pf) and total harmonic distortion (THD) at maximum and minimum supply and at nominal voltage for the dimmed states of 70%, 50%, and 30% full power.
- k. Ingress protection (IP) test reports, conducted according to ANSI C136.25 requirements, for the driver and optical assembly in PDF format.
- l. Installation, maintenance, and cleaning instructions in PDF format, including recommendations on periodic cleaning methods.

- m. Documentation in PDF format that the reporting laboratory is certified to perform the required tests.

A sample luminaire shall also be provided upon request of the Engineer. The sample shall be as proposed for the contract and shall be delivered by the Contractor to the District Headquarters. After review, the Contractor shall retrieve the luminaire.

Manufacturer Experience.

The luminaire shall be designed to be incorporated into a lighting system with an expected 20 year lifetime. The luminaire manufacturer shall have a minimum of 33 years' experience manufacturing HID roadway luminaires and shall have a minimum of seven (7) years' experience manufacturing LED roadway luminaires. The manufacturer shall have a minimum of 25,000 total LED roadway luminaires installed on a minimum of 100 separate installations, all within the U.S.A.

Housing.

Material. The luminaire shall be a single device not requiring on-site assembly for installation. The driver for the luminaire shall be integral to the unit.

Finish. The luminaire shall have a baked acrylic enamel finish. The color of the finish shall be gray, unless otherwise indicated.

The finish shall have a rating of six or greater according to ASTM D1654, Section 8.0 Procedure A – Evaluation of Rust Creepage for Scribed Samples after exposure to 1000 hours of testing according to ASTM B117 for painted or finished surfaces under environmental exposure.

The luminaire finish shall have less than or equal to 30% reduction of gloss according to ASTM D523 after exposure of 500 hours to ASTM G154 Cycle 6 QUV® accelerated weathering testing.

The luminaire shall slip-fit on a mounting arm with a 2" diameter tenon (2.375" outer diameter), and shall have a barrier to limit the amount of insertion. The slip fitter clamp shall utilize four (4) bolts to clamp to the tenon arm. The luminaire shall be provided with a leveling surface and shall be capable of being tilted ± 5 degrees from the axis of attachment in 2.5 degree increments and rotated to any degree with respect to the supporting arm.

All external surfaces shall be cleaned in accordance with the manufacturer's recommendations and be constructed in such a way as to discourage the accumulation of water, ice, and debris.

The effective projected area of the luminaire shall not exceed 1.6 sq. ft.

The total weight including accessories, shall not exceed 40 lb (18.14 kg). If the weight of the luminaire is less than 20 lb (9.07 kg), weight shall be added to the mounting arm or a supplemental vibration damper installed as approved by the Engineer.

A passive cooling method with no moving, rotating parts, or liquids shall be employed for heat management.

The luminaire shall include a fully prewired, 7-pin twist lock ANSI C136.41-compliant receptacle. Unused pins shall be connected as directed by the Manufacturer and as approved by the Engineer. A shorting cap shall be provided with the luminaire that is compliant with ANSI C136.10.

Vibration Testing. All luminaires shall be subjected to and pass vibration testing requirements at "3G" minimum zero to peak acceleration in accordance with ANSI C136.31 requirements using the same luminaire. To be accepted, the luminaire housing, hardware, and each individual component shall pass this test with no noticeable damage and the luminaire must remain fully operational after testing.

Labels. An internal label shall be provided indicating the luminaire is suitable for wet locations and indicating the luminaire is an NRTL listed product to UL1598 and UL8750. The internal label shall also comply with the requirements of ANSI C136.22.

An external label consisting of two black characters on a white background with the dimensions of the label and the characters as specified in ANSI C136.15 for HPS luminaires. The first character shall be the alphabetical character representing the initial lumen output as specified in Table 1 of Article 1067.06(c). The second character shall be the numerical character representing the transverse light distribution type as specified in IES RP-8 (i.e. Types 1, 2, 3, 4, or 5).

Hardware. All hardware shall be stainless steel or of other corrosion resistant material approved by the Engineer.

Luminaires shall be designed to be easily serviced, having fasteners such as quarter-turn clips of the heavy spring-loaded type with large, deep straight slot heads, complete with a receptacle and shall be according to military specification MIL-f-5591.

All hardware shall be captive and not susceptible to falling from the luminaire during maintenance operations. This shall include lens/lens frame fasteners as well hardware holding the removable driver and electronic components in place.

Provisions for any future house-side external or internal shielding should be indicated along with means of attachment.

Circuiting shall be designed to minimize the impact of individual LED failures on the operation of the other LED's.

Wiring. Wiring within the electrical enclosure shall be rated at 600v, 105°C or higher.

Driver.

The driver shall be integral to the luminaire shall be capable of receiving an indefinite open and short circuit output conditions without damage.

The driver shall incorporate the use of thermal foldback circuitry to reduce output current under abnormal driver case temperature conditions and shall be rated for a lifetime of 100,000 hours at an ambient temperature exposure of 77 °F (25 °C) to the luminaire. If the driver has a thermal shut down feature, it shall not turn off the LEDs when operated at 104 °F (40 °C) or less.

The driver shall have an input voltage range of 120 to 277 volts ($\pm 10\%$) or 347 to 480 volts ($\pm 10\%$) according to the contract documents. When the driver is operating within the rated input voltage range and in an un-dimmed state, the power factor measurement shall be not less than 0.9 and the THD measurement shall be no greater than 20%.

The driver shall meet the requirements of the FCC Rules and Regulations, Title 47, Part 15 for Class A devices with regard to electromagnetic compatibility. This shall be confirmed through the testing methods in accordance with ANSI C63.4 for electromagnetic interference.

The driver shall be dimmable using the protocol listed in the Luminaire Performance Table shown in the contract.

Surge Protection. The luminaire shall comply the requirements of ANSI C136.2 for electrical transient immunity at the "Extreme" level (20KV/10KA) and shall be equipped with a surge protective device (SPD) that is UL1449 compliant with indicator light. An SPD failure shall open the circuit to protect the driver.

LED Optical Assembly

The optical assembly shall have an IP66 or higher rating in accordance with ANSI C136.25. The circuiting of the LED array shall be designed to minimize the effect of individual LED failures on the operation of other LEDs. All optical components shall be made of glass or a UV stabilized, non-yellowing material.

The optical assembly shall utilize high brightness, long life, minimum 70 CRI, 4,000K color temperature (+/-300K) LEDs binned in accordance with ANSI C78.377. Lenses shall be UV-stabilized acrylic or glass.

Lumen depreciation at 50,000 hours of operation shall not exceed 15% of initial lumen output at the specified LED drive current and an ambient temperature of 25° C.

The luminaire may or may not have a glass lens over the LED modules. If a glass lens is used, it must be a flat lens. Material other than glass will not be acceptable. If a glass lens is not used, the LED modules may not protrude lower than the luminaire housing.

The assembly shall have individual serial numbers or other means for manufacturer tracking.

Photometric Performance.

Luminaires shall be tested according to IESNA LM-79. This testing shall be performed by a test laboratory holding accreditation from the National Institute of Standards and Technology (NIST) National Voluntary Laboratory Accreditation Program (NVLAP) for the IESNA LM-79 test procedure.

Data reports as a minimum shall yield an isofootcandle chart, with max candela point and half candela trace indicated, maximum plane and maximum cone plots of candela, a candlepower table (house and street side), a coefficient of utilization chart, a luminous flux distribution table, spectral distribution plots, chromaticity plots, and other standard report outputs of the above mentioned tests.

The luminaire shall have a BUG rating of Back Light B3 or less, Up Light rating of U0, and a Glare rating of G3 or less unless otherwise indicated in the luminaire performance table.

Photometric Calculations.

Calculations. Submitted report shall include a luminaire classification system graph with both the recorded lumen value and percent lumens by zone along with the BUG rating according to IESNA TM-15.

Complete point-by-point luminance and veiling luminance calculations as well as listings of all indicated averages and ratios as applicable shall be provided in accordance with IESNA RP-8 recommendations. Lighting calculations shall be performed using AGi32 software with all luminance calculations performed to one decimal place (i.e. x.x cd/m²). Uniformity ratios shall also be calculated to one decimal place (i.e. x.x:1). Calculation results shall demonstrate that the submitted luminaire meets the lighting metrics specified in the project Luminaire Performance Table(s). Values shall be rounded to the number of significant digits indicated in the luminaire performance table(s).

All photometry must be **photopic**. Scotopic or mesopic factors will not be allowed. The AGi32 file shall be submitted at the request of the Engineer.

**IDOT DISTRICT 1 LUMINAIRE PERFORMANCE TABLE
 ROADWAY LIGHTING**

GIVEN CONDITIONS

Roadway Data	Pavement Width	<u>77</u>	Ft
	Number of Lanes Left of Median	<u>3</u>	
	Number of Lanes Right of Median	<u>3</u>	
	Lane Width	<u>12.8</u>	Ft
	Median Width	<u>0.0</u>	Ft
	IES Surface Classification	<u>R3</u>	
	Q-Zero Value	<u>0.07</u>	
Mounting Data	Mounting Height	<u>45</u>	Ft
	Mast Arm Length	<u>15</u>	Ft
	Pole Set-Back from Edge of Pavement	<u>6.0</u>	Ft
Luminaire Data	Source	<u>LED</u>	
	Color Temperature	<u>4000</u>	°K
	Lumens	<u>19,000</u>	Min
	Pay Item Lumen Designation	<u>F</u>	
	BUG Rating	<u>B3-U0-G4</u>	
	IES Vertical Distribution	<u>Medium</u>	
	IES Control of Distribution	<u>Cutoff</u>	
	IES Lateral Distribution	<u>Type 3</u>	
	Total Light Loss Factor	<u>0.70</u>	
Pole Layout Data	Spacing	<u>190</u>	Ft
	Configuration	<u>Opposite</u>	
	Luminaire Overhang over E.O.P.	<u>9</u>	Ft

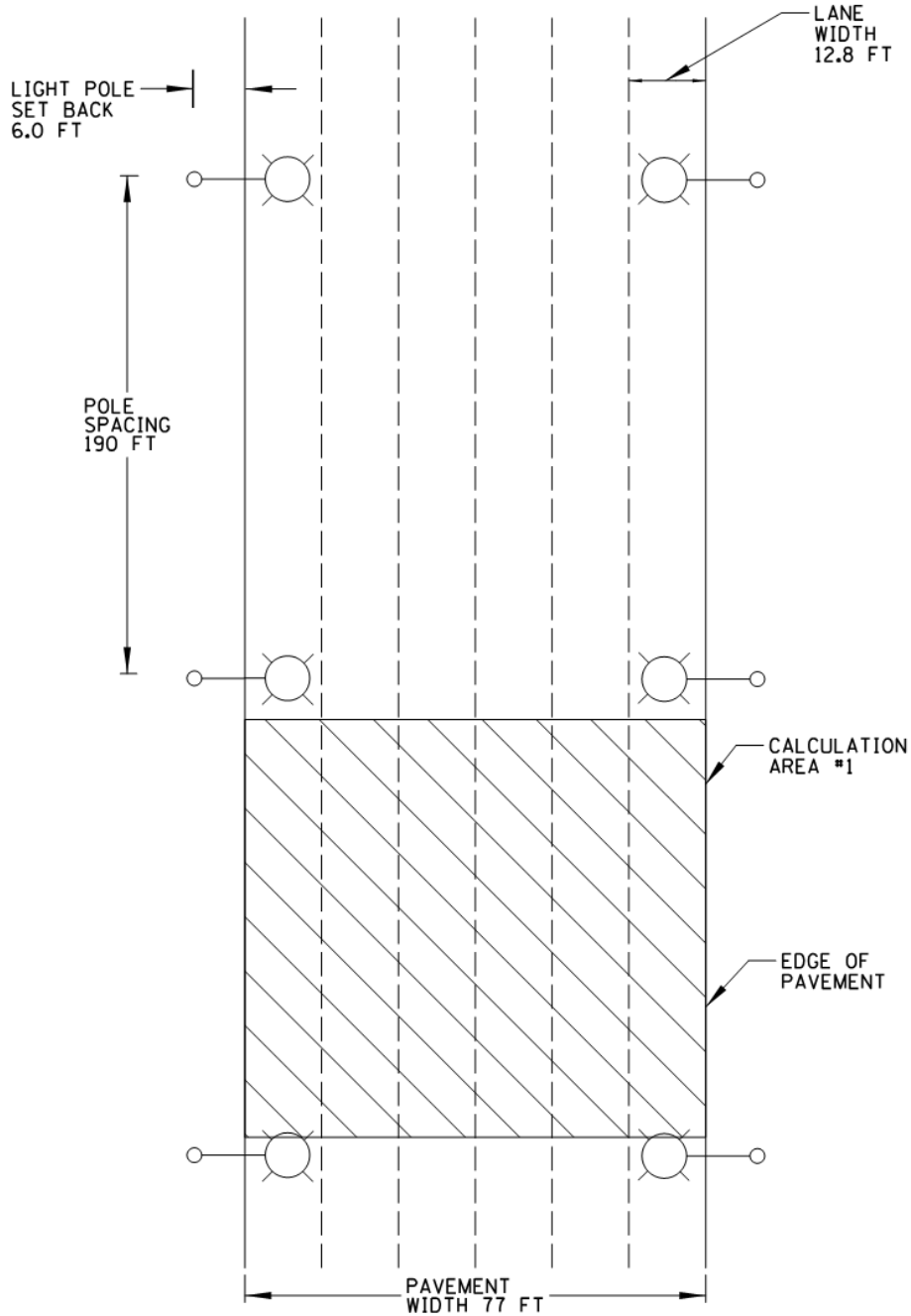
NOTE: Variations from the above specified I.E.S. distribution pattern may be requested, and acceptance of variations will be subject to review by the Engineer based on how well the performance requirements are met.

PERFORMANCE REQUIREMENTS

NOTE: These performance requirements shall be the minimum acceptable standards of photometric performance for the luminaire, based on the given conditions listed above.

Roadway	Average Luminance, L_{AVE} (Max)	<u>1.2</u>	Cd/m ²
Luminance	Average Luminance, L_{AVE} (Min)	<u>0.9</u>	Cd/m ²
	Uniformity Ratio, L_{AVE}/L_{MIN}	<u>3.0</u>	Max
	Uniformity Ratio, L_{MAX}/L_{MIN}	<u>5.0</u>	Max
	Veiling Luminance Ratio, L_V/L_{AVE}	<u>0.3</u>	Max

LUMINAIRE PERFORMANCE DIAGRAM FOR 77 FT CROSS SECTION



**IDOT DISTRICT 1 LUMINAIRE PERFORMANCE TABLE
 ROADWAY LIGHTING**

GIVEN CONDITIONS

Roadway Data	Pavement Width	86	Ft
	Number of Lanes Left of Median	3	
	Number of Lanes Right of Median	4	
	Lane Width	12.3	Ft
	Median Width	0.0	Ft
	IES Surface Classification	R3	
	Q-Zero Value	0.07	
Mounting Data	Mounting Height	35	Ft
	Mast Arm Length	15	Ft
	Pole Set-Back from Edge of Pavement	6.0	Ft
Luminaire Data	Source	LED	
	Color Temperature	4000	°K
	Lumens	22,000	Min
	Pay Item Lumen Designation	G	
	BUG Rating	B3-U0-G4	
	IES Vertical Distribution	Medium	
	IES Control of Distribution	Cutoff	
	IES Lateral Distribution	Type 3	
	Total Light Loss Factor	0.70	
Pole Layout Data	Spacing	200	Ft
	Configuration	Opposite	
	Luminaire Overhang over E.O.P.	9	Ft

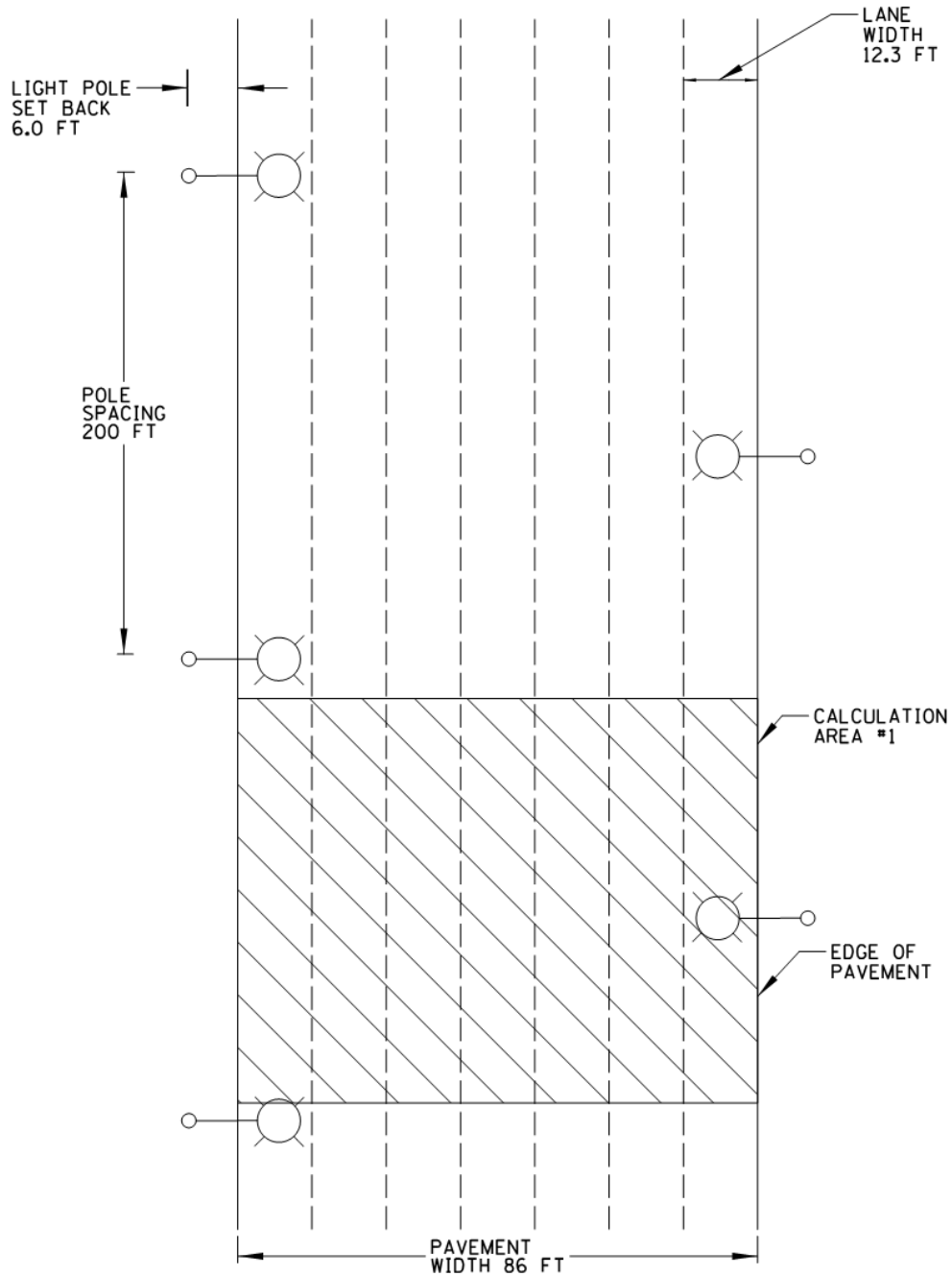
NOTE: Variations from the above specified I.E.S. distribution pattern may be requested, and acceptance of variations will be subject to review by the Engineer based on how well the performance requirements are met.

PERFORMANCE REQUIREMENTS

NOTE: These performance requirements shall be the minimum acceptable standards of photometric performance for the luminaire, based on the given conditions listed above.

Roadway Luminance	Average Luminance, L_{AVE} (Max)	1.2	Cd/m ²
	Average Luminance, L_{AVE} (Min)	0.9	Cd/m ²
	Uniformity Ratio, L_{AVE}/L_{MIN}	3.0	Max
	Uniformity Ratio, L_{MAX}/L_{MIN}	5.0	Max
	Veiling Luminance Ratio, L_V/L_{AVE}	0.3	Max

LUMINAIRE PERFORMANCE DIAGRAM FOR 86 FT CROSS SECTION



**IDOT DISTRICT 1 LUMINAIRE PERFORMANCE TABLE
 ROADWAY LIGHTING**

GIVEN CONDITIONS

Roadway Data	Pavement Width	<u>86</u>	Ft
	Number of Lanes Left of Median	<u>4</u>	
	Number of Lanes Right of Median	<u>3</u>	
	Lane Width	<u>12.3</u>	Ft
	Median Width	<u>0.0</u>	Ft
	IES Surface Classification	<u>R3</u>	
	Q-Zero Value	<u>0.07</u>	
Mounting Data	Mounting Height	<u>45</u>	Ft
	Mast Arm Length	<u>15</u>	Ft
	Pole Set-Back from Edge of Pavement	<u>6.0</u>	Ft
Luminaire Data	Source	<u>LED</u>	
	Color Temperature	<u>4000</u>	°K
	Lumens	<u>24,500</u>	Min
	Pay Item Lumen Designation	<u>H</u>	
	BUG Rating	<u>B3-U0-G4</u>	
	IES Vertical Distribution	<u>Medium</u>	
	IES Control of Distribution	<u>Cutoff</u>	
	IES Lateral Distribution	<u>Type 3</u>	
	Total Light Loss Factor	<u>0.70</u>	
Pole Layout Data	Spacing	<u>220</u>	Ft
	Configuration	<u>Opposite</u>	
	Luminaire Overhang over E.O.P.	<u>9</u>	Ft

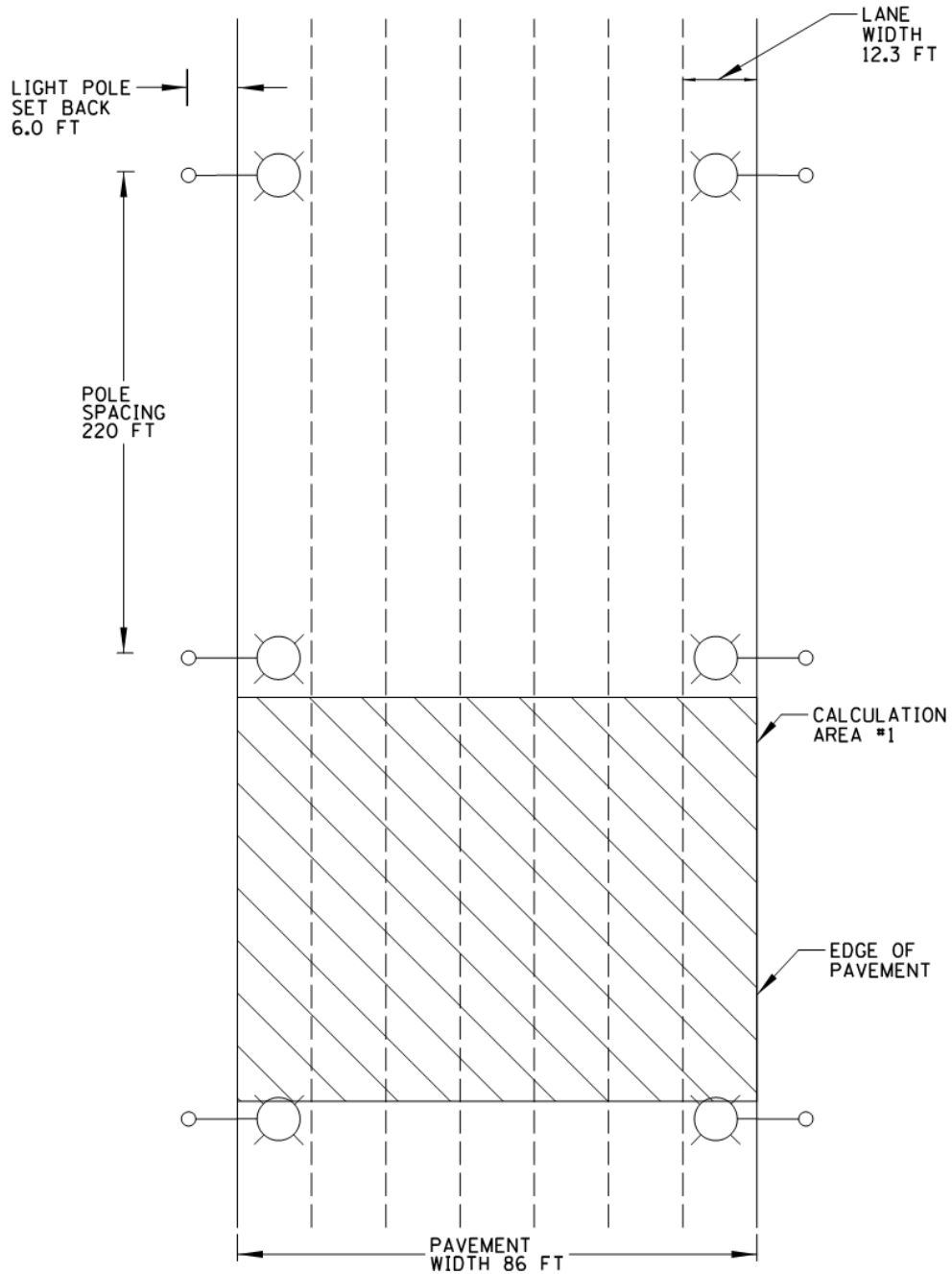
NOTE: Variations from the above specified I.E.S. distribution pattern may be requested, and acceptance of variations will be subject to review by the Engineer based on how well the performance requirements are met.

PERFORMANCE REQUIREMENTS

NOTE: These performance requirements shall be the minimum acceptable standards of photometric performance for the luminaire, based on the given conditions listed above.

Roadway	Average Luminance, L_{AVE} (Max)	<u>1.2</u>	Cd/m ²
Luminance	Average Luminance, L_{AVE} (Min)	<u>0.9</u>	Cd/m ²
	Uniformity Ratio, L_{AVE}/L_{MIN}	<u>3.0</u>	Max
	Uniformity Ratio, L_{MAX}/L_{MIN}	<u>5.0</u>	Max
	Veiling Luminance Ratio, L_V/L_{AVE}	<u>0.3</u>	Max

LUMINAIRE PERFORMANCE DIAGRAM FOR 86 FT CROSS SECTION



**IDOT DISTRICT 1 LUMINAIRE PERFORMANCE TABLE
 ROADWAY LIGHTING**

GIVEN CONDITIONS

Roadway Data	Pavement Width	86	Ft
	Number of Lanes Left of Median	4	
	Number of Lanes Right of Median	3	
	Lane Width	12.3	Ft
	Median Width	0.0	Ft
	IES Surface Classification	R3	
	Q-Zero Value	0.07	
Mounting Data	Mounting Height	45	Ft
	Mast Arm Length	15	Ft
	Pole Set-Back from Edge of Pavement	6.0	Ft
Luminaire Data	Source	LED	
	Color Temperature	4000	°K
	Lumens	27,000	Min
	Pay Item Lumen Designation	I	
	BUG Rating	B4-U0-G4	
	IES Vertical Distribution	Medium	
	IES Control of Distribution	Cutoff	
	IES Lateral Distribution	Type 3	
	Total Light Loss Factor	0.70	
Pole Layout Data	Spacing	240	Ft
	Configuration	Opposite	
	Luminaire Overhang over E.O.P.	9	Ft

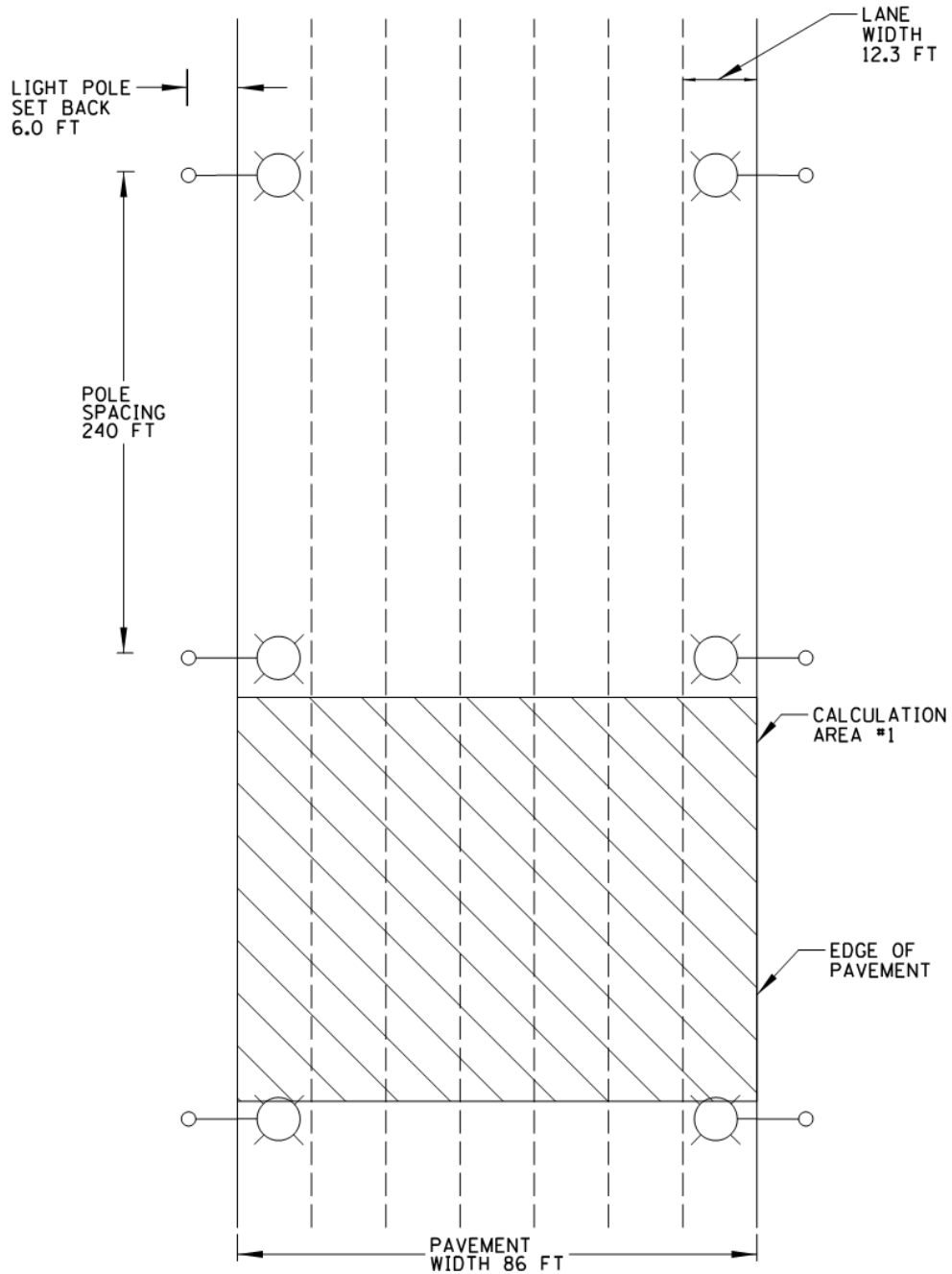
NOTE: Variations from the above specified I.E.S. distribution pattern may be requested, and acceptance of variations will be subject to review by the Engineer based on how well the performance requirements are met.

PERFORMANCE REQUIREMENTS

NOTE: These performance requirements shall be the minimum acceptable standards of photometric performance for the luminaire, based on the given conditions listed above.

Roadway	Average Luminance, L_{AVE} (Max)	1.2	Cd/m ²
Luminance	Average Luminance, L_{AVE} (Min)	0.9	Cd/m ²
	Uniformity Ratio, L_{AVE}/L_{MIN}	3.0	Max
	Uniformity Ratio, L_{MAX}/L_{MIN}	5.0	Max
	Veiling Luminance Ratio, L_V/L_{AVE}	0.3	Max

LUMINAIRE PERFORMANCE DIAGRAM FOR 86 FT CROSS SECTION



Independent Testing

When a contract has 50 or more luminaires of the same type (distribution type and lumen output/wattage), that luminaire type shall be independently tested, unless otherwise noted. The quantity of luminaires to be tested shall be as specified in the following table.

Contract Quantity	Luminaires to be Tested
1-49	0 (unless otherwise noted)
50-100	2
101-150	3
151-200	4
201-250	5
251-300	6
301-350	7

Testing is not required for temporary lighting luminaires.

The Contractor shall coordinate the testing with the contract schedule considering submittal, manufacturing, testing, and installation lead-times and deadlines.

The Electrical Engineer shall select from all the project luminaires at the Contractor's or distributor's storage facility, within District 1, the luminaires for testing. In all cases, the selection of luminaires shall be a random selection from the entire completed lot of luminaires required for the contract. Selections from partial lots will not be allowed. An additional luminaire shall also be selected for physical inspection by the Engineer at the District Headquarters. This luminaire will be available for the Contractor to pick up at a later date to be installed under this contract. This luminaire is in addition to the luminaire required as a part of the submittal process specified elsewhere.

Alternative selection process. With the Engineer's prior approval, the Contractor shall provide a list of luminaire serial numbers for all the luminaires. The Engineer shall make a random selection of the required number of luminaires for testing from the serial numbers. That luminaire must then be photographed clearly showing the serial number prior to shipment to the selected and approved testing laboratory. The testing laboratory shall include a photograph of the luminaire along with the test results directly to the Engineer.

Luminaires shall be tested at a National Voluntary Laboratory Accreditation Program (NVLAP) accredited laboratory approved for each of the required tests. The testing facility shall not be associated in any way, subsidiary or otherwise, with the luminaire manufacturer. All costs associated with luminaire testing shall be included in the bid price of the luminaire.

The selection of the proposed independent laboratory shall be presented with the information submitted for review and approval.

The testing performed shall include photometric and electrical testing.

All tests shall be conducted at the luminaire system operating voltage of 240 volts unless specified differently in the contract plans.

Photometric testing shall be according to IES recommendations, performed with a goniophotometer and as a minimum, shall yield an isofootcandle chart, with max candela point and half candela trace indicated, an isocandela diagram, maximum planned and maximum cone plots of candela, a candlepower table (House and street side), a coefficient of utilization chart, a luminous flux distribution table, BUG rating report, and complete calculations based on specified requirements and test results.

Electrical testing shall conform to NEMA and ANSI standards and, as a minimum shall include a complete check of wiring connections and a table of characteristics showing input amperes, watts, power factor, total harmonic distortion and LED drive current.

Two copies of the summary report and the test results including IES photometric files (including CD-ROM) shall be certified by the test laboratory and shall be sent by certified mail directly to the Engineer.

To: District Engineer
Attn: Bureau Chief of Traffic Operations
Illinois Department of transportation
201 West center Ct.
Schaumburg, IL 60196

The package shall state "luminaire test reports" and the contract number clearly.

A copy of this material shall be sent to the Contractor and the Resident Engineer at the same time.

Photometric performance shall meet or exceed that of the specified values. If the luminaire does not meet the specified photometric values, the luminaire has failed regardless of whether the test results meet the submitted factory data.

Should any of the tested luminaires of a given type, and distribution fail to satisfy the specifications and perform according to approved submittal information, the luminaire type of that distribution type and wattage shall be unacceptable and be replaced by alternate equipment meeting the specifications with the submittal and testing process repeated in their entirety; or corrections made to achieve required performance.

In the case of corrections, the Contractor shall advise the Engineer of the proposed corrections and shall request a repeat of the specified testing and, if the corrections are deemed reasonable by the Engineer, the testing process shall be repeated in its entirety.

The number of luminaires to be tested shall be the same quantity as originally tested as required in the above table.

Retesting, should it become necessary, shall not be grounds for additional compensation or extension of time

Submittal information shall include a statement of intent to provide the testing as well as a request for approval of the chosen laboratory.

Installation.

Each luminaire shall be installed according to the luminaire manufacturer's recommendations.

Luminaires which are pole mounted shall be mounted on site such that poles and arms are not left unloaded. Pole mounted luminaires shall be leveled/adjusted after poles are set and vertically aligned before being energized. When mounted on a tenon, care shall be exercised to assure maximum insertion of the mounting tenon. Each luminaire shall be checked to assure compatibility with the project power system. When the night-time check of the lighting system by the Engineer indicates that any luminaires are mis-aligned, the mis-aligned luminaires shall be corrected at no additional cost.

No luminaire shall be installed prior to approval. Where independent testing is required, full approval will not be given until complete test results, demonstrating compliance with the specifications, have been reviewed and accepted by the Engineer.

Pole wiring shall be provided with the luminaire. Pole wire shall run from handhole to luminaire.

Pole wire shall be sized No. 10, rated 600 V, RHW/USE-2, and have copper conductors, stranded in conformance with ASTM B 8. Pole wire shall be insulated with cross-linked polyethylene (XLP) insulation. Pole wire shall include a phase, neutral, and green ground wire. Wire shall be trained within the pole or sign structure so as to avoid abrasion or damage to the insulation.

Pole wire shall be extended through the pole, pole grommet, luminaire ring, and any associated arm and tenon. The pole wire shall be terminated in a manner that avoids sharp kinks, pinching, pressure on the insulation, or any other arrangement prone to damaging insulation value and producing poor megger test results. Wires shall be trained away from heat sources within the luminaire. Wires shall be terminated so all strands are extended to the full depth of the terminal lug with the insulation removed far enough so it abuts against the shoulder of the lug but is not compressed as the lug is tightened.

Included with the pole wiring shall be fusing located in the handhole. Fusing shall be according to Article 1065.01 with the exception that fuses shall be 6 amperes.

Each luminaire and optical assembly shall be free of all dirt, smudges, etc. Should the optical assembly require cleaning, a luminaire manufacturer approved cleaning procedure shall be used.

Horizontal mount luminaires shall be installed in a level, horizontal plane, with adjustments as needed to insure the optics are set perpendicular to the traveled roadway.

When the pole is bridge mounted, a minimum size stainless steel 1/4-20NC set screw shall be provided to secure the luminaire to the mast arm tenon. A hole shall be drilled and tapped through the tenon and luminaire mounting bracket and then fitted with the screw.

Warranty.

The entire luminaire and all of its component parts shall be covered by a 10-year warranty. Failure is when one or more of the following occur:

- 1) Negligible light output from more than 10 percent of the discrete LEDs.
- 2) Significant moisture that deteriorates performance of the luminaire.
- 3) Driver that continues to operate at a reduced output due to overheating.

The warranty period shall begin on the date of luminaire delivery. The Contractor shall verify that the Resident Engineer has noted the delivery date in the daily diary. Copy of the shipment and delivery documentation shall be submitted.

The replacement luminaire shall be of the same manufacturer, model, and photometric distribution as the original.

Method of Measurement.

The rated initial minimum luminous flux (lumen output) of the light source, as installed in the luminaire, shall be according to the following table for each specified output designation.

Designation Type	Minimum Initial Luminous Flux	Designation Type	Minimum Initial Luminous Flux
A	2,200	G	22,000
B	3,150	H	24,500
C	4,400	I	26,500
D	6,300	J	63,300
E	9,450	K	80,000+
F	19,000		

Where delivered lumens is defined as the minimum initial delivered lumens at the specified color temperature. Luminaires with an initial luminous flux less than the values listed in the above table will not be acceptable even if they meet the requirements given in the Luminaire Performance table shown in the contract.

Basis of Payment.

This work will be paid for at the contract unit price per each for **LUMINAIRE, LED, ROADWAY**, of the output designation specified, or **TEMPORARY LUMINAIRE, LED, ROADWAY**, of the output designation specified.

ELECTRIC UTILITY SERVICE CONNECTION (COMED)

Effective: January 1, 2012

Description. This item shall consist of payment for work performed by ComEd in providing or modifying electric service as indicated. THIS MAY INVOLVE WORK AT MORE THAN ONE ELECTRIC SERVICE. For summary of the Electrical Service Drop Locations see the schedule contained elsewhere herein.

Construction Requirements. It shall be the Contractor's responsibility to contact ComEd. The Contractor shall coordinate his work fully with the ComEd both as to the work required and the timing of the installation. No additional compensation will be granted under this or any other item for extra work caused by failure to meet this requirement. **Please contact ComEd, New Business Center Call Center, at 866 NEW ELECTRIC (1-866-639-3532) to begin the service connection process. The Call Center Representatives will create a work order for the service connection. The representative will ask the requestor for information specific to the request. The representative will assign the request based upon the location of project.**

The Contractor should make particular note of the need for the earliest attention to arrangements with ComEd for service. In the event of delay by ComEd, no extension of time will be considered applicable for the delay unless the Contractor can produce written evidence of a request for electric service within 30 days of execution.

Method Of Payment. The Contractor will be reimbursed to the exact amount of money as billed by ComEd for its services. Work provided by the Contractor for electric service will be paid separately as described under ELECTRIC SERVICE INSTALLATION. No extra compensation shall be paid to the Contractor for any incidental materials and labor required to fulfill the requirements as shown on the plans and specified herein.

For bidding purposes, this item shall be estimated as \$5000

Basis Of Payment. This work will be paid for at the contract lump sum price for ELECTRIC UTILITY SERVICE CONNECTION which shall be reimbursement in full for electric utility service charges.

Designers Note: The estimate of cost of service connections for bidding purposes shall be provided by the Designer or Design Consultant.

ELECTRIC SERVICE INSTALLATION

Effective: January 1, 2012

Description. This item shall consist of all material and labor required to extend, connect or modify the electric services, as indicated or specified, which is over and above the work performed by the utility. Unless otherwise indicated, the cost for the utility work, if any, will be reimbursed to the Contractor separately under ELECTRIC UTILITY SERVICE CONNECTION. This item may apply to the work at more than one service location and each will be paid separately.

Materials. Materials shall be in accordance with the Standard Specifications.

Construction Requirements. The Contractor shall ascertain the work being provided by the electric utility and shall provide all additional material and work not included by other contract pay items required to complete the electric service work in complete compliance with the requirements of the utility.

No additional compensation will be allowed for work required for the electric service, even though not explicitly shown on the Drawings or specified herein

Method of Measurement. Electric Service Installation shall be counted, each.

Basis of Payment. This work will be paid for at the contract unit price each for ELECTRIC SERVICE INSTALLATION which shall be payment in full for the work specified herein.

WIRE AND CABLE

Effective: January 1, 2012

Add the following to the first paragraph of Article 1066.02(a):

“The cable shall be rated at a minimum of 90°C dry and 75°C wet and shall be suitable for installation in wet and dry locations, and shall be resistant to oils and chemicals.”

Revise the Aerial Electric Cable Properties table of Article 1066.03(a)(3) to read:

Aerial Electric Cable Properties

Phase Conductor		Messenger wire			
Size AWG	Stranding	Average Insulation Thickness		Minimum Size AWG	Stranding
		mm	mils		
6	7	1.1	(45)	6	6/1
4	7	1.1	(45)	4	6/1
2	7	1.1	(45)	2	6/1
1/0	19	1.5	(60)	1/0	6/1
2/0	19	1.5	(60)	2/0	6/1
3/0	19	1.5	(60)	3/0	6/1
4/0	19	1.5	(60)	4/0	6/1

Add the following to Article 1066.03(b) of the Standard Specifications:

“Cable sized No. 2 AWG and smaller shall be U.L. listed Type RHH/RHW and may be Type RHH/RHW/USE. Cable sized larger than No. 2 AWG shall be U.L. listed Type RHH/RHW/USE.”

Revise Article 1066.04 to read:

“Aerial Cable Assembly. The aerial cable shall be an assembly of insulated aluminum conductors according to Section 1066.02 and 1066.03. Unless otherwise indicated, the cable assembly shall be composed of three insulated conductors and a steel reinforced bare aluminum conductor (ACSR) to be used as the ground conductor. Unless otherwise indicated, the code word designation of this cable assembly is “Palomino”. The steel reinforced aluminum conductor shall conform to ASTM B-232. The cable shall be assembled according to ANSI/ICEA S-76-474.”

Revise the second paragraph of Article 1066.05 to read:

Rand Road (FAP 334), Central Road (FAU 1300),
Mount Prospect Road (FAU 1300)
Village of Mount Prospect
Contract No. 61H44
Section No. 17-00166-00-CH
Cook County

“The tape shall have reinforced metallic detection capabilities consisting of a woven reinforced polyethylene tape with a metallic core or backing.”

HANDHOLE, COMPOSITE CONCRETE (SPECIAL)

Description. This work shall consist of furnishing and installing a 13"x24"x18" deep composite concrete handhole where shown on the drawings. All work related to the installation of the handhole shall be included (excavation, installation of handhole and cover, gravel french drain, backfill, disposal of surplus excavate material, etc.)

Materials. All materials shall be in accordance with the contract plan drawings and requirements.

Construction Requirements. The handhole shall be precast constructed of polymer concrete. The box and lid shall meet or exceed ANSI Tier 15 loading requirements and also be tested in accordance with the latest edition of NASI/SCTE 77. The box shall be placed on 12" of crushed stone for drainage. The lid shall have a logo as shown on plans. All work shall be installed as shown on the contract plan drawings and in accordance with Sections 814 of the Standard Specifications.

The Contractor shall be responsible for coordinating all work.

Measurement and Payment. The work shall be paid for at the contract unit price each for HANDHOLE, COMPOSITE CONCRETE (SPECIAL), which price shall be payment in full for all material, labor and any other items required to complete the work.

HANDHOLE, COMPOSITE CONCRETE

Description. This work shall consist of furnishing and installing a 11"x18"x18" deep composite concrete handhole where shown on the drawings. All work related to the installation of the handhole shall be included (excavation, installation of handhole and cover, gravel french drain, backfill, disposal of surplus excavate material, etc.)

Materials. All materials shall be in accordance with the contract plan drawings and requirements.

Construction Requirements. The handhole shall be precast constructed of polymer concrete. The box and lid shall meet or exceed ANSI Tier 15 loading requirements and also be tested in accordance with the latest edition of NASI/SCTE 77. The box shall be placed on 12" of crushed stone for drainage. The lid shall have a logo as shown on plans. All work shall be installed as shown on the contract plan drawings and in accordance with Sections 814 of the Standard Specifications.

The Contractor shall be responsible for coordinating all work.

Measurement and Payment. The work shall be paid for at the contract unit price each for **HANDHOLE, COMPOSITE CONCRETE**, which price shall be payment in full for all material, labor and any other items required to complete the work.

LIGHT POLE FOUNDATION, 24" DIAMETER, OFFSET

Description. This work shall consist of constructing and installing a 24-inch diameter offset concrete light pole foundation as shown on the drawings.

Materials. Concrete shall be in accordance with Article 1020 of the Standard Specifications.

Reinforcement shall be in accordance with Article 1006.10.

Construction Requirements. The concrete foundation shall be constructed and installed in accordance with the Contract Plans, and in conformance with Section 836 of the Standard Specifications.

Where soil conditions require support to prevent caving in of the shaft sidewall, the contractor shall be responsible for furnishing and installing a full depth form liner at no additional cost. The Contractor shall sawcut 1/8" deep groove 6" long in top of foundation in the direction of the offset. The contractor shall also note the offset direction and offset distance on Record Drawings.

Method of Measurement. Concrete foundations shall be measured for payment in feet, along the vertical and horizontal centerlines of the foundation without overlap.

Basis of Payment. This work shall be paid for at the contract unit price per foot for LIGHT POLE FOUNDATION, 24" DIAMETER, OFFSET, which price shall be payment in full for all material, labor and any other items required to complete the work.

LIGHT POLE, SPECIAL

Description. This item shall consist of furnishing and installing a new 40 foot spun aluminum light pole with single 8 foot arm (including pole, mast arm, banner arms, receptacle, and all hardware/accessories) on a concrete foundation as shown on the contract drawings.

Materials. The light pole shall be in accordance with the contract plan drawings. The structural design of the light pole shall be in accordance Sections 1069.01 of the Standard Specifications, and the pole shall have FHWA approval to AASHTO breakaway requirements.

Construction Requirements. All work shall be installed in accordance with Section 830 of the Standard Specifications, contract plan drawings, NEC, and local ordinances

Measurement and Payment. The work shall be paid for at the contract unit price each for LIGHT POLE, SPECIAL, which price shall be payment in full for all material, labor and any other items required to complete the work.

LUMINAIRE, LED, SPECIAL

Description. This work shall consist of furnishing and installing a proposed LED combination luminaire on a traffic signal mast arm pole or a proposed LED roadway luminaire on a street light pole, where shown on the drawings. The luminaire shall be owned and maintained by the Village of Mount Prospect. The pole and arm will be paid separately.

Materials. Combination luminaires luminaire shall be Leotek Model No. GC2-96G-MV-WW-3R-BK-610 painted black (no exceptions). Roadway luminaires luminaire shall be Leotek Model No. GC2-96G-MV-WW-3R-GY-610 painted gray (no exceptions). The roadway luminaire shall have a color matching flush mounted house side shield (Leotek Model No. HSSG2) only where indicated on the drawings.

Construction Requirements. The luminaire shall be installed in accordance with Section 821 of the Standard Specifications and as shown on the plans.

Measurement. This work will be measured for payment for each luminaire.

Basis of Payment. The work shall be paid for at the contract unit price each for LUMINAIRE, LED, SPECIAL, which price shall be payment in full for all labor, materials, and equipment necessary to complete the work described above and as indicated on the plans.

MAST ARM, STREET LIGHTING, 15'

Description: This work shall consist of furnishing/installing a new 15 foot mast arm on a temporary traffic signal wood pole for temporary intersection lighting at the location shown on the drawings. The temporary wood pole shall be paid for under the traffic signal work. Removal of the arm shall be paid for separately.

Materials: The new mast arm shall be aluminum, 15 feet long, and be truss type. The arm shall be in accordance with Article 1069.02(a) of the Standard Specifications and the contract plan drawings.

Construction Requirements: The new arm shall be installed in accordance with Section 830 of the Standard Specifications, and contract plan drawings.

Measurement and Payment: The work shall be paid for at the contract unit price each for MAST ARM, STREET LIGHTING, 15', which price shall be payment in full for all labor, materials, and equipment necessary to complete the work described above and as indicated on the drawings.

MISCELLANEOUS ELECTRICAL WORK

Description. This work shall consist of relocating the power feed to an existing irrigation controller and two sign flood lights. The power feed shall be relocated from an existing lighting controller to a proposed lighting controller at the location shown on the drawings. This work includes disconnecting/removing existing conduit/wire and furnishing/installing/connecting new conduit/wire.

Materials. All materials shall be in accordance with the contract plan drawings and Sections 1066 and 1088 of the Standard Specifications

Construction Requirements. All work shall be installed as shown on the contract plan drawings, Sections 810, 811, and 817 of the Standard Specifications, and in accordance with the NEC and local ordinances.

The Contractor shall perform all work same day to minimize the outage to the affected equipment.

Measurement and Payment. The work shall be paid for at the contract lump sum price for MISCELLANEOUS ELECTRICAL WORK, which price shall be payment in full for all material, labor and any other items required to complete the work.

RELOCATE EXISTING TRANSCEIVER

Description. This work shall consist of relocating an existing light pole mounted wireless water meter network transceiver (transceiver, solar panel, battery box and associated conduit/wire) at the location shown on the drawings. This work includes relocation from an existing aluminum light pole to a temporary wood light pole at the beginning of the project, or from a temporary wood light pole to a proposed aluminum light pole and the end of the project.

Material. Contractor shall furnish and install all supports and hardware as required to fasten to temporary wood pole. Contractor shall reuse existing supports and hardware to fasten to proposed aluminum pole.

Construction Requirements. Contractor shall contact the Village of Mount Prospect Public Works prior to relocating the equipment. The equipment shall be located at the same elevation and orientation as existing.

Method of Measurement. This work will be measured for payment for each time the equipment is relocated.

Basis of Payment. This work will be paid for at the Contract unit price each for RELOCATE EXISTING TRANSCEIVER, which price shall be payment in full for all material, labor and any other items required to complete the work.

REMOVAL OF LIGHTING LUMINAIRE, SALVAGE

Description. This work shall consist of removing and salvaging of an existing IDOT LED cobra head type luminaire from a combination light pole at the location shown on the drawings.

Construction Requirements. The pole wiring shall be disconnected from the luminaire. The luminaire shall be disconnected from the mast arm and removed. The pole wiring, fusing and luminaire shall be reused and reconnected. All work shall be installed in accordance with Section 842 of the Standard Specifications, and contract plan drawings.

Measurement and Payment. The work shall be paid for at the contract unit price each for REMOVAL OF LIGHTING LUMINAIRE, SALVAGE, which price shall be payment in full for all labor, materials, and equipment necessary to complete the work described above and as indicated on the drawings.

REMOVAL OF TEMPORARY LUMINAIRE

Description. This item shall consist of removing and disposing of a temporary combination luminaire, mast arm and aerial cable attached to a temporary traffic signal wood pole at the location shown on the drawings.

Requirements. Removal of the temporary lighting equipment includes luminaire arm, luminaire, aerial cables, grounding, fusing, and all hardware/accessories. Removal of the messenger cable and combination wood poles is not part of this work. The Contractor shall be responsible for removing all equipment and material related to the temporary lighting off site and properly dispose of.

All proposed intersection and roadway lighting shall be installed and operational before any temporary lighting and can be removed.

Measurement and Payment. The work shall be paid for at the contract unit price each for REMOVAL OF TEMPORARY LUMINAIRE, which price shall be payment in full for all labor, materials, and equipment necessary to complete the work described above and as indicated on the drawings.

REMOVE JUNCTION BOX

Description. This work shall consist of removing and disposing of a composite concrete handhole at the location shown on the drawings.

Construction Requirements. The entire handhole structure and cover shall be completely removed and disposed of. The void area shall be backfilled with approved material, and the surface reconstructed to match the adjoining area. If any part of the handhole is located within a sidewalk, the entire sidewalk square or squares where the handhole is located shall be replaced with new sidewalk. Sidewalk removal and replacement will be paid for separately.

Measurement and Payment. The work shall be paid for at the contract unit price each for REMOVE JUNCTION BOX, which shall be payment in full for all work listed herein and as directed by the Owner's Representative.

REMOVE LUMINAIRE, COMPLETE

Description. This work shall consist of removing and salvaging an existing Village of Mount Prospect LED luminaire along with pole wiring and fuse holders/fusing from a combination traffic signal mast arm pole at the location shown on the drawings.

Construction Requirements. The pole wiring shall be disconnected from the luminaire and at the splices in the base of the pole. The luminaire shall be disconnected from the mast arm and removed. The luminaire shall be boxed in new containers, approved by the Engineer, and delivered to Village of Mount Prospect Public Works. The pole wiring, fusing and luminaire shall be disposed of. All work shall be installed in accordance with Section 842 of the Standard Specifications, and contract plan drawings.

Measurement and Payment. The work shall be paid for at the contract unit price each for REMOVE LUMINAIRE, COMPLETE, which price shall be payment in full for all labor, materials, and equipment necessary to complete the work described above and as indicated on the drawings.

REMOVE TEMPORARY LIGHTING UNITS, NO SALVAGE

Description. This item shall consist of removing and disposing of temporary lighting units and associated electrical cables at the locations shown on the drawings.

Requirements. Removal of the temporary lighting includes wood pole, luminaire arm, luminaire, aerial cable, conduit/wire, grounding, fusing, and all hardware/accessories. Conduit and wire shall be removed 2 feet below grade and abandoned. The Contractor shall be responsible for removing all equipment and material related to the temporary lighting off site and properly dispose of.

All proposed intersection and roadway lighting shall be installed and operational before any temporary lighting and can be removed. Immediately following removal of wood pole the Contractor shall backfill each temporary wood pole hole or excavated trench with suitable granular material as approved by the Engineer. The granular material shall be compacted in 8-inch lifts.

Measurement and Payment. This work shall be measured for payment for each lighting unit removed including all corresponding wire and conduit. The work shall be paid for at the contract unit price each for REMOVE TEMPORARY LIGHTING UNITS, NO SALVAGE, which price shall be payment in full for all labor, materials, and equipment necessary to complete the work described above and as indicated on the drawings.

REMOVE TEMPORARY WOOD POLE

Description. This item shall consist of removing and disposing of temporary wood pole and associated electrical cables at the locations shown on the drawings. The wood pole supports temporary aerial or riser cables and does not have a luminaire or arm.

Requirements. Removal of the temporary wood pole includes aerial cable, conduit/wire, grounding, fusing, and all hardware/accessories. Conduit and wire shall be removed 2 feet below grade and abandoned. The Contractor shall be responsible for removing all equipment and material off site and properly dispose of.

All proposed intersection and roadway lighting shall be installed and operational before any wood poles can be removed. Immediately following removal of wood pole the Contractor shall backfill each temporary wood pole hole or excavated trench with suitable granular material as approved by the Engineer. The granular material shall be compacted in 8 inch lifts.

Measurement and Payment. This work shall be measured for payment for each lighting unit removed including all corresponding wire and conduit. The work shall be paid for at the contract unit price each for REMOVE TEMPORARY WOOD POLE, which price shall be payment in full for all labor, materials, and equipment necessary to complete the work described above and as indicated on the drawings.

TEMPORARY WOOD POLE, 40 FT, CLASS 4

Description. This work shall consist of furnishing and installing a temporary wood pole to support temporary aerial or riser cables for temporary lighting, as shown on the drawings. Removal of the wood pole will be paid for separately. This pole does not have a luminaire or arm.

Materials. Wood pole shall be in accordance with Article 1069.04 of the Standard Specifications.

Construction Requirements. The wood pole shall be installed in accordance with Section 830 of the Standard Specifications and as shown on the plans.

Measurement. This work will be measured for payment for each wood pole.

Basis of Payment. The work shall be paid for at the contract unit price each for TEMPORARY WOOD POLE, 40 FT, CLASS 4, which price shall be payment in full for all labor, materials, and equipment necessary to complete the work described above and as indicated on the plans.

UNINTERRUPTABLE POWER SUPPLY, SPECIAL

Effective: January 1, 2013
Revised: May 19, 2016
862.01TS

This work shall be in accordance with section 862 of the Standard Specification except as modified herein

Add the following to Article 862.01 of the Standard Specifications:

The UPS shall have the power capacity to provide normal operation of a signalized intersection that utilizes all LED type signal head optics, for a minimum of 6 (six) hours.

Add the following to Article 862.02 of the Standard Specifications:

Materials shall be according to Article 1074.04 as modified in UNINTERRUPTABLE POWER SUPPLY, SPECIAL.

Add the following to Article 862.03 of the Standard Specifications:

The UPS shall additionally include, but not be limited to, a battery cabinet, where applicable. For Super-P (Type IV) and Super-R (Type V) cabinets, the battery cabinet is integrated to the traffic signal cabinet and shall be included in the cost for the traffic signal cabinet of the size and type indicated on the plans.

The UPS shall provide reliable emergency power to the traffic signals in the event of a power failure or interruption.

Revise Article 862.04 of the Standard Specifications to read:

Installation.

When a UPS is installed at an existing traffic signal cabinet, the UPS cabinet shall partially rest on the lip of the existing controller cabinet foundation and be secured to the existing controller cabinet by means of at least four (4) stainless steel bolts. The UPS cabinet shall be completely enclosed with the bottom and back constructed of the same material as the cabinet.

When a UPS is installed at a new signal cabinet and foundation, it shall be mounted as shown on the plans.

At locations where UPS is installed and an Emergency Vehicle Priority System is in use, any existing incandescent confirmation beacons shall be replaced with LED lamps in accordance with the District One Emergency Vehicle Priority System specification at no additional cost to the contract. A concrete apron shall be provided and be in accordance with Articles 424 and

202 of the Standard Specifications. The concrete apron shall also, follow the District 1 Standard Traffic Signal Design Detail, Type D for Ground Mounted Controller Cabinet and UPS Battery Cabinet.

This item shall include any required modifications to an existing traffic signal controller as a result of the addition of the UPS including the addition of alarms.

Materials.

Revise Article 1074.04(a)(1) of the Standard Specifications to read:

The UPS shall be line interactive or double conversion and provide voltage regulation and power conditioning when utilizing utility power. The UPS shall be sized appropriately for the intersection(s) normal traffic signal operating load. The UPS must be able to maintain the intersection's normal operating load plus 20 percent (20%) of the intersection's normal operating load. When installed at a railroad-interconnected intersection the UPS must maintain the railroad pre-emption load, plus 20 percent (20%) of the railroad preemption-operating load. The total connected traffic signal load shall not exceed the published ratings for the UPS. The UPS shall provide a minimum of 6 (six) hours of normal operation run-time for signalized intersections with LED type signal head optics at 77 °F (25 °C) (minimum 1000 W active output capacity, with 86 percent minimum inverter efficiency).

Revise the first paragraph of Article 1074.04(a)(3) of the Standard Specifications to read:

The UPS shall have a minimum of four (4) sets of normally open (NO) and normally closed (NC) single-pole double-throw (SPDT) relay contact closures, available on a panel mounted terminal block or locking circular connectors, rated at a minimum 120 V/1 A, and labeled so as to identify each contact according to the plans.

Revise Article 1074.04(a)(10) of the Standard Specifications to read:

The UPS shall be compatible with the District's approved traffic controller assemblies utilizing NEMA TS 1 or NEMA TS 2 controllers and cabinet components for full time operation.

Revise Article 1074.04(a)(17) of the Standard Specifications to read:

When the intersection is in battery backup mode, the UPS shall bypass all internal cabinet lights, ventilation fans, cabinet heaters, service receptacles, luminaires, any lighted street name signs, any automated enforcement equipment and any other devices directed by the Engineer.

Revise Article 1074.04(b)(2)b of the Standard Specifications to read:

Batteries, inverter/charger and power transfer relay shall be housed in a separate NEMA Type 3R cabinet. The cabinet shall be Aluminum alloy, 5052-H32, 0.125-inch thick and have a natural mill finish.

Revise Article 1074.04(b)(2)c of the Standard Specifications to read:

No more than three batteries shall be mounted on individual shelves for a cabinet housing six batteries and no more than four batteries per shelf for a cabinet housing eight batteries.

Revise Article 1074.04(b)(2)e of the Standard Specifications to read:

The battery cabinet housing shall have the following nominal outside dimensions: a width of 25 in. (785 mm), a depth of 16 in. (440 mm), and a height of 41 to 48 in. (1.1 to 1.3 m). Clearance between shelves shall be a minimum of 10 in. (250 mm).

End of paragraph 1074.04(b)(2)e

The door shall be equipped with a two-position doorstop, one a 90° and one at 120°.

Revise Article 1074.04(b)(2)g of the Standard Specifications to read:

The door shall open to the entire cabinet, have a neoprene gasket, an Aluminum continuous piano hinge with stainless steel pin, and a three-point locking system. The cabinet shall be provided with a main door lock which shall operate with a traffic industry conventional No. 2 key. Provisions for padlocking the door shall be provided.

Add the following to Article 1074.04(b)(2) of the Standard Specifications:

j. The battery cabinet shall have provisions for an external generator connection.

Add the following to Article 1074.04(c) of the Standard Specifications:

(8) The UPS shall include a tip or kill switch installed in the battery cabinet, which shall completely disconnect power from the UPS when the switch is manually activated.

(9) The UPS shall include standard RS-232 and internal Ethernet interface.

(10) The UPS shall incorporate a flanged electric generator inlet for charging the batteries and operating the UPS. The generator connector shall be male type, twist-lock, rated as 15A, 125VAC with a NEMA L5-15P configuration and weatherproof lift cover plate. Access to the generator inlet shall be from a secured weatherproof lift cover plate or behind a locked battery cabinet police panel.

(11) The bypass switch shall include an internal power transfer relay that allows removal of the battery back-up unit, while the traffic signal is connected to utility power, without impacting normal traffic signal operation.

Revise Article 1074.04(d)(3) of the Standard Specifications to read:

All batteries supplied in the UPS shall be either gel cell or AGM type, deep cycle, completely sealed, prismatic lead calcium based, silver alloy, valve regulated lead acid (VRLA) requiring no maintenance. All batteries in a UPS installation shall be the same type; mixing of gel cell and AGM types within a UPS installation is not permitted.

Revise Article 1074.04(d)(4) of the Standard Specifications to read:

Batteries shall be certified by the manufacturer to operate over a temperature range of -13 to 160 °F (-25 to + 71 °C) for gel cell batteries and -40 to 140 °F (-40 to + 60 °C) for AGM type batteries.

Add the following to Article 1074.04(d) of the Standard Specifications:

(9) The UPS shall consist of an even number of batteries that are capable of maintaining normal operation of the signalized intersection for a minimum of 6 (six) hours. Calculations shall be provided showing the number of batteries of the type supplied that are needed to satisfy this requirement. A minimum of four batteries shall be provided.

(10) Battery Heater mats shall be provided, when gel cell type batteries are supplied.

Add the following to the Article 1074.04 of the Standard Specifications:

(e) Warranty. The warranty for an uninterruptable power supply (UPS) and batteries (full replacement) shall cover a minimum of 5 years from date the equipment is placed in operation.

(f) Installation. Bypass switch shall completely disconnect the traffic signal cabinet from the utility provider.

(g) The UPS shall be set-up to run the traffic signal continuously, without going to a red flashing condition, when switched to battery power unless otherwise directed by the Engineer. The Contractor shall confirm set-up with the Engineer. The continuous operation mode when switched to battery may require modification to unit connections and these modifications are included in the unit price for this item.

Revise Article 862.05 of the Standard Specifications to read:

Basis of Payment.

This work will be paid for at the contract unit price per each for UNINTERRUPTABLE POWER SUPPLY, SPECIAL or UNINTERRUPTABLE POWER SUPPLY AND CABINET, SPECIAL. Replacement of Emergency Vehicle Priority System confirmation beacons and any required modifications to the traffic signal controller shall be included in the cost of the UNINTERRUPTABLE POWER SUPPLY, SPECIAL or UNINTERRUPTABLE POWER SUPPLY AND CABINET, SPECIAL item. The concrete apron and earth excavation required shall be included in the cost of the UNINTERRUPTABLE POWER SUPPLY AND CABINET, SPECIAL item.

IDOT TRAINING PROGRAM GRADUATE ON-THE-JOB TRAINING SPECIAL PROVISION

Effective: August 1, 2012 Revised: February 2, 2017

In addition to the Contractor's equal employment opportunity (EEO) affirmative action efforts undertaken as required by this Contract, the Contractor is encouraged to participate in the incentive program described below to provide additional on-the-job training to certified graduates of the IDOT pre-apprenticeship training program, as outlined in this Special Provision.

IDOT funds, and various Illinois community colleges operate, pre-apprenticeship training programs throughout the State to provide training and skill-improvement opportunities to promote the increased employment of minority groups, disadvantaged persons and women in all aspects of the highway construction industry. The intent of this IDOT Pre-Apprenticeship Training Program Graduate (TPG) special provision (Special Provision) is to place these certified program graduates on the project site for this Contract in order to provide the graduates with meaningful on-the-job training. Pursuant to this Special Provision, the Contractor must make every reasonable effort to recruit and employ certified TPG trainees to the extent such individuals are available within a practicable distance of the project site.

Specifically, participation of the Contractor or its subcontractor in the Program entitles the participant to reimbursement for graduates' hourly wages at \$15.00 per hour per utilized TPG trainee, subject to the terms of this Special Provision. Reimbursement payment will be made even though the Contractor or subcontractor may also receive additional training program funds from other non-IDOT sources for other non-TPG trainees on the Contract, provided such other source does not specifically prohibit the Contractor or subcontractor from receiving reimbursement from another entity through another program, such as IDOT through the TPG program. With regard to any IDOT funded construction training program other than TPG, however, additional reimbursement for other IDOT programs will not be made beyond the TPG Program described in this Special Provision when the TPG Program is utilized.

No payment will be made to the Contractor if the Contractor or subcontractor fails to provide the required on-site training to TPG trainees, as solely determined by IDOT. A TPG trainee must begin training on the project as soon as the start of work that utilizes the relevant trade skill and the TPG trainee must remain on the project site through completion of the Contract, so long as training opportunities continue to exist in the relevant work classification. Should a TPG trainee's employment end in advance of the completion of the Contract, the Contractor must promptly notify the IDOT District EEO Officer for the Contract that the TPG's involvement in the Contract has ended. The Contractor must supply a written report for the reason the TPG trainee involvement terminated, the hours completed by the TPG trainee on the Contract, and the number of hours for which the incentive payment provided under this Special Provision will be, or has been claimed for the separated TPG trainee.

Finally, the Contractor must maintain all records it creates as a result of participation in the Program on the Contract, and furnish periodic written reports to the IDOT District EEO Officer that document its contractual performance under and compliance with this Special Provision. Finally, through participation in the Program and reimbursement of wages, the Contractor is not relieved of, and IDOT has not waived, the requirements of any federal or state labor or employment law applicable to TPG workers, including compliance with the Illinois Prevailing Wage Act.

METHOD OF MEASUREMENT: The unit of measurement is in hours.

BASIS OF PAYMENT: This work will be paid for at the contract unit price of \$15.00 per hour for each utilized certified TPG Program trainee (TRAINEES TRAINING PROGRAM GRADUATE). The estimated total number of hours, unit price, and total price must be included in the schedule of prices for the Contract submitted by Contractor prior to beginning work. The initial number of TPG trainees for which the incentive is available for this contract is 2.

The Department has contracted with several educational institutions to provide screening, tutoring and pre-training to individuals interested in working as a TPG trainee in various areas of common construction trade work. Only individuals who have successfully completed a Pre-Apprenticeship Training Program at these IDOT approved institutions are eligible to be TPG trainees. To obtain a list of institutions that can connect the Contractor with eligible TPG trainees, the Contractor may contact: HCCTP TPG Program Coordinator, Office of Business and Workforce Diversity (IDOT OBWD), Room 319, Illinois Department of Transportation, 2300 S. Dirksen Parkway, Springfield, Illinois 62764. Prior to commencing construction with the utilization of a TPG trainee, the Contractor must submit documentation to the IDOT District EEO Officer for the Contract that provides the names and contact information of the TPG trainee(s) to be trained in each selected work classification, proof that that the TPG trainee(s) has successfully completed a Pre-Apprenticeship Training Program, proof that the TPG is in an Apprenticeship Training Program approved by the U.S. Department of Labor Bureau of Apprenticeship Training, and the start date for training in each of the applicable work classifications.

To receive payment, the Contractor must provide training opportunities aimed at developing a full journeyworker in the type of trade or job classification involved. During the course of performance of the Contract, the Contractor may seek approval from the IDOT District EEO Officer to employ additional eligible TPG trainees. In the event the Contractor subcontracts a portion of the contracted work, it must determine how many, if any, of the TPGs will be trained by the subcontractor. Though a subcontractor may conduct training, the Contractor retains the responsibility for meeting all requirements imposed by this Special Provision. The Contractor must also include this Special Provision in any subcontract where payment for contracted work performed by a TPG trainee will be passed on to a subcontractor.

Training through the Program is intended to move TPGs toward journeyman status, which is the primary objective of this Special Provision. Accordingly, the Contractor must make every effort to enroll TPG trainees by recruitment through the Program participant educational institutions to the extent eligible TPGs are available within a reasonable geographic area of the project. The Contractor is responsible for demonstrating, through documentation, the recruitment efforts it has undertaken prior to the determination by IDOT whether the Contractor is in compliance with this Special Provision, and therefore, entitled to the Training Program Graduate reimbursement of \$15.00 per hour.

Notwithstanding the on-the-job training requirement of this TPG Special Provision, some minimal off-site training is permissible as long as the offsite training is an integral part of the work of the contract, and does not compromise or conflict with the required on-site training that is central to the purpose of the Program. No individual may be employed as a TPG trainee in any work classification in which he/she has previously successfully completed a training program leading to journeyman status in any trade, or in which he/she has worked at a journeyman level or higher.

State of Illinois
Department of Transportation
Bureau of Local Roads and Streets

SPECIAL PROVISION
FOR
INSURANCE

Effective: February 1, 2007
Revised: August 1, 2007

All references to Sections or Articles in this specification shall be construed to mean specific Section or Article of the Standard Specifications for Road and Bridge Construction, adopted by the Department of Transportation.

The Contractor shall name the following entities as additional insured under the Contractor's general liability insurance policy in accordance with Article 107.27:

Village of Mount Prospect

City of DesPlaines

Cook County

The entities listed above and their officers, employees, and agents shall be indemnified and held harmless in accordance with Article 107.26.

State of Illinois
 DEPARTMENT OF TRANSPORTATION
 Bureau of Local Roads & Streets
 SPECIAL PROVISION
 FOR
 LOCAL QUALITY ASSURANCE/ QUALITY MANAGEMENT QC/QA
 Effective: January 1, 2022

Replace the first five paragraphs of Article 1030.06 of the Standard Specifications with the following:

“1030.06 Quality Management Program. The Quality Management Program (QMP) will be Quality Control / Quality Assurance (QC/QA) according to the following.”

Delete Article 1030.06(d)(1) of the Standard Specifications.

Revise Article 1030.09(g)(3) of the Standard Specifications to read:

“(3) If core testing is the density verification method, the Contractor shall provide personnel and equipment to collect density verification cores for the Engineer. Core locations will be determined by the Engineer following the document “Hot-Mix Asphalt QC/QA Procedure for Determining Random Density Locations” at density verification intervals defined in Article 1030.09(b). After the Engineer identifies a density verification location and prior to opening to traffic, the Contractor shall cut a 4 in. (100 mm) diameter core. With the approval of the Engineer, the cores may be cut at a later time.”

Revise Article 1030.09(h)(2) of the Standard Specifications to read:

“(2) After final rolling and prior to paving subsequent lifts, the Engineer will identify the random density verification test locations. Cores or nuclear density gauge testing will be used for density verification. The method used for density verification will be as selected below.

Density Verification Method	
<input checked="" type="checkbox"/>	Cores
<input type="checkbox"/>	Nuclear Density Gauge (Correlated when paving ≥ 3,000 tons per mixture)

Density verification test locations will be determined according to the document “Hot-Mix Asphalt QC/QA Procedure for Determining Random Density Locations”. The density testing interval for paving wider than or equal to 3 ft (1 m) will be 0.5 miles (800 m) for lift thicknesses of 3 in. (75 mm) or less and 0.2 miles (320 m) for lift thicknesses greater than 3 in. (75 mm). The density testing interval for paving less than 3 ft (1 m) wide will be 1 mile (1,600 m). If a day’s paving will be less than the prescribed density testing interval, the length of the day’s paving will be the interval for that day. The density testing interval for mixtures used for patching will be 50 patches with a minimum of one test per mixture per project.

If core testing is the density verification method, the Engineer will witness the Contractor coring, and secure and take possession of all density samples at the

density verification locations. The Engineer will test the cores collected by the Contractor for density according to Illinois Modified AASHTO T 166 or AASHTO T 275.

If nuclear density gauge testing is the density verification method, the Engineer will conduct nuclear density gauge tests. The Engineer will follow the density testing procedure detailed in the document "Illinois Modified ASTM D 2950, Standard Test Method for Density of Bituminous Concrete In-Place by Nuclear Method".

A density verification test will be the result of a single core or the average of the nuclear density tests at one location. The results of each density test must be within acceptable limits. The Engineer will promptly notify the Contractor of observed deficiencies."

Revise the seventh paragraph and all subsequent paragraphs in Section D. of the document "Hot-Mix Asphalt QC/QA Initial Daily Plant and Random Samples" to read:

"Mixtures shall be sampled from the truck at the plant by the Contractor following the same procedure used to collect QC mixture samples (Section A). This process will be witnessed by the Engineer who will take custody of the verification sample. Each sample bag with a verification mixture sample will be secured by the Engineer using a locking ID tag. Sample boxes containing the verification mixture sample will be sealed/taped by the Engineer using a security ID label."



Storm Water Pollution Prevention Plan



Route FAP 334/FAU 1300/FAU 2686	Marked Route Rand Rd/Central Rd/Mt Prospect Rd	Section Number 17-00166-00-CH
Project Number OUBY(034)	County Cook	Contract Number 61H44

This plan has been prepared to comply with the provisions of the National Pollutant Discharge Elimination System (NPDES) Permit No. ILR10 (Permit ILR10), issued by the Illinois Environmental Protection Agency (IEPA) for storm water discharges from construction site activities.

I certify under penalty of law that this document and all attachments were prepared under my direction or supervision in accordance with a system designed to assure that qualified personnel properly gathered and evaluated the information submitted. Based on my inquiry of the person or persons who manage the system, or those persons directly responsible for gathering the information, the information submitted is, to the best of my knowledge and belief, true, accurate and complete. I am aware that there are significant penalties for submitting false information, including the possibility of fine and imprisonment for knowing violations.

Signature <i>Jeffrey A. Wulbecker</i>	Date 12.6.21	
Print Name Jeff Wulbecker	Title Village Engineer	Agency Village of Mount Prospect

Note: Guidance on preparing each section of BDE 2342 can be found in Chapter 41 of the IDOT Bureau of Design and Environment (BDE) Manual. Chapter 41 and this form also reference the IDOT Drainage Manual which should be readily available.

I. Site Description:

A. Provide a description of the project location; include latitude and longitude, section, town, and range:

This plan covers activities associated with the construction of sidewalk, bike paths, roadway widening, pavement patching and roadway resurfacing on Rand Road, Central Road and Mount Prospect Road in the Village of Mount Prospect and City of Des Plaines.
 Sections 34, 35, Township 42 North, Range 11, East of the Third Principal Meridian
 Section 7, Township 41 North, Range 12, East of the Third Principal Meridian
 Longitude: 87 55' 17"
 Latitude: 42 03' 59"

B. Provide a description of the construction activity which is the subject of this plan. Include the number of construction stages, drainage improvements, in-stream work, installation, maintenance, removal of erosion measures, and permanent stabilization:

The work consists of pavement widening and resurfacing, sidewalk and bike path construction, modernization of three signals, partial modernization of one signal, one new signal, roadway lighting, drainage improvements, new curb and gutter, construction of medians and islands, and parkway restoration. The work will be completed in one pre-stage and four main stages of construction. There will be no in-stream work.

C. Provide the estimated duration of this project:

18 months

D. The total area of the construction site is estimated to be 15.25 acres.

The total area of the site estimated to be disturbed by excavation, grading or other activities is 1.75 acres.

E. The following are weighted averages of the runoff coefficient for this project before and after construction activities are completed; see Section 4-102 of the IDOT Drainage Manual:

Existing Runoff Coefficient - 0.79; Post-Construction Run-Off Coefficient - 0.84

F. List all soils found within project boundaries; include map unit name, slope information, and erosivity:

See the soils report.

G. If wetlands were delineated for this project, provide an extent of wetland acreage at the site; see Phase I report:

There are no wetlands within the project limits.

H. Provide a description of potentially erosive areas associated with this project:

None

I. The following is a description of soil disturbing activities by stages, their locations, and their erosive factors (e.g., steepness of slopes, length of slopes, etc.):

See plans.

J. See the erosion control plans and/or drainage plans for this contract for information regarding drainage patterns, approximate slopes anticipated before and after major grading activities, locations where vehicles enter or exit the site and controls to prevent offsite sediment tracking (to be added after contractor identifies locations), areas of soil disturbance, the location of major structural and non-structural controls identified in the plan, the location of areas where stabilization practices are expected to occur, surface waters (including wetlands) , and locations where storm water is discharged to surface water including wetlands.

K. Identify who owns the drainage system (municipality or agency) this project will drain into:

Village of Mount Prospect and City of Des Plaines. Roadways drain to storm sewer.

L. The following is a list of General NPDES ILR40 permittees within whose reporting jurisdiction this project is located:

Village of Mount Prospect and City of Des Plaines

M. The following is a list of receiving water(s) and the ultimate receiving water(s) for this site. In addition, include receiving waters that are listed as Biologically Significant Streams by the Illinois Department of Natural Resources (IDNR). The location of the receiving waters can be found on the erosion and sediment control plans:

Des Plaines River

N. Describe areas of the site that are to be protected or remain undisturbed. These areas may include steep slopes (i.e., 1:3 or steeper), highly erodible soils, streams, stream buffers, specimen trees, natural vegetation, nature preserves, etc. Include any commitments or requirements to protect adjacent wetlands.

For any storm water discharges from construction activities within 50-feet of Waters of the U.S. (except for activities for water-dependent structures authorized by a Section 404 permit, describe: a) How a 50-foot undisturbed natural buffer will be provided between the construction activity and the Waters of the U.S. or b) How additional erosion and sediment controls will be provided within that area.

None

O. Per the Phase I document, the following sensitive environmental resources are associated with this project and may have the potential to be impacted by the proposed development. Further guidance on these resources is available in Section 41-4 of the BDE Manual.

303(d) Listed receiving waters for suspended solids, turbidity, or siltation. The name(s) of the listed water body, and identification of all pollutants causing impairment:

Provide a description of how erosion and sediment control practices will prevent a discharge of sediment resulting from a storm event equal to or greater than a twenty-five (25) year, twenty-four (24) hour rainfall event:

The erosion control measures, as shown in the Soil Erosion and Sediment Control plans, will filter water before discharge to the storm sewer system.

Provide a description of the location(s) of direct discharge from the project site to the 303(d) water body:

None

Provide a description of the location(s) of any dewatering discharges to the MS4 and/or water body:

None

Applicable Federal, Tribal, State, or Local Programs

Floodplain

Historic Preservation

Receiving waters with Total Maximum Daily Load (TMDL) for sediment, total suspended solids, turbidity or siltation

TMDL (fill out this section if checked above)

The name(s) of the listed water body:

Provide a description of the erosion and sediment control strategy that will be incorporated into the site design that is consistent with the assumptions and requirements of the TMDL:

If a specific numeric waste load allocation has been established that would apply to the project's discharges, provide a description of the necessary steps to meet that allocation:

Threatened and Endangered Species/Illinois Natural Areas (INAI)/Nature Preserves

Other

Wetland

P. The following pollutants of concern will be associated with this construction project:

Antifreeze / Coolants

Concrete

Concrete Curing Compounds

Concrete Truck Waste

Fertilizers / Pesticides

Paints

Petroleum (gas, diesel, oil, kerosene, hydraulic oil / fluids)

Soil Sediment

Solid Waste Debris

Solvents

Waste water from cleaning construction equipments

Other (Specify) _____

Other (Specify) _____

Other (Specify) _____

Other (Specify) _____

Other (Specify) _____

II. Controls:

This section of the plan addresses the controls that will be implemented for each of the major construction activities described in Section I.C above and for all use areas, borrow sites, and waste sites. For each measure discussed, the Contractor will be responsible for its implementation as indicated. The Contractor shall provide to the Resident Engineer a plan for the implementation of the measures indicated. The Contractor, and subcontractors, will notify the Resident Engineer of any proposed changes, maintenance, or modifications to keep construction activities compliant with the Permit ILR10. Each such Contractor has signed the required certification on forms which are attached to, and are a part of, this plan:

A. Erosion and Sediment Controls: At a minimum, controls must be coordinated, installed and maintained to:

1. Minimize the amount of soil exposed during construction activity;
2. Minimize the disturbance of steep slopes;
3. Maintain natural buffers around surface waters, direct storm water to vegetated areas to increase sediment removal and maximize storm water infiltration, unless infeasible;
4. Minimize soil compaction and, unless infeasible, preserve topsoil.

B. Stabilization Practices: Provided below is a description of interim and permanent stabilization practices, including site- specific scheduling of the implementation of the practices. Site plans will ensure that existing vegetation is preserved where attainable and disturbed portions of the site will be stabilized. Stabilization practices may include but are not limited to: temporary seeding, permanent seeding, mulching, geotextiles, sodding, vegetative buffer strips, protection of trees, preservation of mature vegetation, and other appropriate measures. Except as provided below in II.B.1 and II.B.2, stabilization measures shall be initiated **immediately** where construction activities have temporarily or permanently ceased, but in no case more than **one (1) day** after the construction activity in that portion of the site has temporarily or permanently ceases on all disturbed portions of the site where construction will not occur for a period of fourteen (14) or more calendar days.

1. Where the initiation of stabilization measures is precluded by snow cover, stabilization measures shall be initiated as soon as practicable.
2. On areas where construction activity has temporarily ceased and will resume after fourteen (14) days, a temporary stabilization method can be used.

The following stabilization practices will be used for this project:

- | | |
|---|--|
| <input type="checkbox"/> Erosion Control Blanket / Mulching | <input type="checkbox"/> Temporary Turf (Seeding, Class 7) |
| <input type="checkbox"/> Geotextiles | <input type="checkbox"/> Temporary Mulching |
| <input type="checkbox"/> Permanent Seeding | <input type="checkbox"/> Vegetated Buffer Strips |
| <input type="checkbox"/> Preservation of Mature Seeding | <input type="checkbox"/> Other (Specify) _____ |
| <input type="checkbox"/> Protection of Trees | <input type="checkbox"/> Other (Specify) _____ |
| <input checked="" type="checkbox"/> Sodding | <input type="checkbox"/> Other (Specify) _____ |
| <input type="checkbox"/> Temporary Erosion Control Seeding | <input type="checkbox"/> Other (Specify) _____ |

Describe how the stabilization practices listed above will be utilized during construction:

See plans

Describe how the stabilization practices listed above will be utilized after construction activities have been completed:

See plans

C. Structural Practices: Provided below is a description of structural practices that will be implemented, to the degree attainable, to divert flows from exposed soils, store flows or otherwise limit runoff and the discharge of pollutants from exposed areas of the site. Such practices may include but are not limited to: perimeter erosion barrier, earth dikes, drainage swales, sediment traps, ditch checks, subsurface drains, pipe slope drains, level spreaders, storm drain inlet protection, rock outlet protection, reinforced soil retaining systems, gabions, and temporary or permanent sediment basins. The installation of these devices may be subject to Section 404 of the Clean Water Act.

- | | |
|--|--|
| <input type="checkbox"/> Aggregate Ditch | <input type="checkbox"/> Stabilized Construction Exits |
| <input type="checkbox"/> Concrete Revetment Mats | <input type="checkbox"/> Stabilized Trench Flow |
| <input type="checkbox"/> Dust Suppression | <input type="checkbox"/> Slope Mattress |
| <input type="checkbox"/> Dewatering Filtering | <input type="checkbox"/> Slope Walls |
| <input type="checkbox"/> Gabions | <input type="checkbox"/> Temporary Ditch Check |
| <input type="checkbox"/> In-Stream or Wetland Work | <input type="checkbox"/> Temporary Pipe Slope Drain |

- | | | |
|---|--|--|
| <input type="checkbox"/> Level Spreaders | <input type="checkbox"/> Temporary Sediment Basin | |
| <input type="checkbox"/> Paved Ditch | <input type="checkbox"/> Temporary Stream Crossing | |
| <input type="checkbox"/> Permanent Check Dams | <input type="checkbox"/> Turf Reinforcement Mats | |
| <input type="checkbox"/> Perimeter Erosion Barrier | <input type="checkbox"/> Other (Specify) _____ | |
| <input type="checkbox"/> Permanent Sediment Basin | <input type="checkbox"/> Other (Specify) _____ | |
| <input type="checkbox"/> Retaining Walls | <input type="checkbox"/> Other (Specify) _____ | |
| <input type="checkbox"/> Riprap | <input type="checkbox"/> Other (Specify) _____ | |
| <input type="checkbox"/> Rock Outlet Protection | <input type="checkbox"/> Other (Specify) _____ | |
| <input type="checkbox"/> Sediment Trap | <input type="checkbox"/> Other (Specify) _____ | |
| <input type="checkbox"/> Storm Drain Inlet Protection | <input type="checkbox"/> Other (Specify) _____ | |

Describe how the structural practices listed above will be utilized during construction:

Inlet filters will be utilized throughout the duration of the construction.

Describe how the structural practices listed above will be utilized after construction activities have been completed:

Once construction activity has permanently ceased, temporary inlet filters will be removed. Permanent control measures shall be field verified for proper function and installation following construction. Upon submittal of the NOT, permanent control measures will be monitored as part of the long-term Maintenance and Monitoring Plan.

D. Treatment Chemicals

Will polymer flocculants or treatment chemicals be utilized on this project: Yes No

If yes above, identify where and how polymer flocculants or treatment chemicals will be utilized on this project.

E. Permanent (i.e., Post-Construction) Storm Water Management Controls: Provided below is a description of measures that will be installed during the construction process to control volume and pollutants in storm water discharges that will occur after construction operations have been completed. The installation of these devices may be subject to Section 404 of the Clean Water Act.

- Such practices may include but are not limited to: storm water detention structures (including wet ponds), storm water retention structures, flow attenuation by use of open vegetated swales and natural depressions, infiltration of runoff on site, and sequential systems (which combine several practices).

The practices selected for implementation were determined based on the technical guidance in Chapter 41 (Construction Site Storm Water Pollution Control) of the IDOT BDE Manual. If practices other than those discussed in Chapter 41 are selected for implementation or if practices are applied to situations different from those covered in Chapter 41, the technical basis for such decisions will be explained below.

- Velocity dissipation devices will be placed at discharge locations and along the length of any outfall channel as necessary to provide a non-erosive velocity flow from the structure to a water course so that the natural physical and biological characteristics and functions are maintained and protected (e.g., maintenance of hydrologic conditions such as the hydroperiod and hydrodynamics present prior to the initiation of construction activities).

Description of permanent storm water management controls:

None

F. Approved State or Local Laws: The management practices, controls and provisions contained in this plan will be in accordance with IDOT specifications, which are at least as protective as the requirements contained in the IEPA's Illinois Urban Manual. Procedures and requirements specified in applicable sediment and erosion site plans or storm water management plans approved by local officials shall be described or incorporated by reference in the space provided below. Requirements specified in sediment and erosion site plans, site permits, storm water management site plans or site permits approved by local officials that are applicable to protecting surface water resources are, upon submittal of an NOI, to be authorized to discharge under the Permit ILR10 incorporated by reference and are enforceable under this permit even if they are not specifically included in the plan.

Description of procedures and requirements specified in applicable sediment and erosion site plans or storm water management plans approved by local officials:

G. Contractor Required Submittals: Prior to conducting any professional services at the site covered by this plan, the Contractor and each subcontractor responsible for compliance with the permit shall submit to the Resident Engineer a Contractor Certification Statement, BDE 2342A.

1. The Contractor shall provide a construction schedule containing an adequate level of detail to show major activities with implementation of pollution prevention BMPs, including the following items:

- Approximate duration of the project, including each stage of the project
- Rainy season, dry season, and winter shutdown dates
- Temporary stabilization measures to be employed by contract phases
- Mobilization time-frame
- Mass clearing and grubbing/roadside clearing dates
- Deployment of Erosion Control Practices
- Deployment of Sediment Control Practices (including stabilized cons

- Deployment of Construction Site Management Practices (including concrete washout facilities, chemical storage, refueling locations, etc.)
- Paving, saw-cutting, and any other pavement related operations
- Major planned stockpiling operation
- Time frame for other significant long-term operations or activities that may plan non-storm water discharges as dewatering, grinding, etc
- Permanent stabilization activities for each area of the project

2. During the pre-construction meeting, the Contractor and each subcontractor shall provide, as an attachment to their signed Contractor Certification Statement, a discussion of how they will comply with the requirements of the permit in regard to the following items and provide a graphical representation showing location and type of BMPs to be used when applicable:

- Temporary Ditch Checks - Identify what type and the source of Temporary Ditch Checks that will be installed as part of the project. The installation details will then be included with the SWPPP.
- Vehicle Entrances and Exits - Identify type and location of stabilized construction entrances and exits to be used and how they will be maintained.
- Material Delivery, Storage and Use - Discuss where and how materials including chemicals, concrete curing compounds, petroleum products, etc. will be stored for this project.
- Stockpile Management - Identify the location of both on-site and off-site stockpiles. Discuss what BMPs will be used to prevent pollution of storm water from stockpiles.
- Waste Disposal - Discuss methods of waste disposal that will be used for this project.
- Spill Prevention and Control - Discuss steps that will be taken in the event of a material spill (chemicals, concrete curing compounds, petroleum, etc.)
- Concrete Residuals and Washout Wastes - Discuss the location and type of concrete washout facilities to be used on this project and how they will be signed and maintained.
- Litter Management - Discuss how litter will be maintained for this project (education of employees, number of dumpsters, frequency of dumpster pick-up, etc.).
- Vehicle and Equipment Fueling - Identify equipment fueling locations for this project and what BMPs will be used to ensure containment and spill prevention.
- Vehicle and Equipment Cleaning and Maintenance - Identify where equipment cleaning and maintenance locations for this project and what BMPs will be used to ensure containment and spill prevention.
- Dewatering Activities - Identify the controls which will be used during dewatering operations to ensure sediments will not leave the construction site.
- Polymer Flocculants and Treatment Chemicals - Identify the use and dosage of treatment chemicals and provide the Resident Engineer with Material Safety Data Sheets. Describe procedures on how the chemicals will be used and identify who will be responsible for the use and application of these chemicals. The selected individual must be trained on the established procedures.
- Additional measures indicated in the plan.

III. Maintenance:

When requested by the Contractor, the Resident Engineer will provide general maintenance guides (e.g., IDOT Erosion and Sediment Control Field Guide) to the Contractor for the practices associated with this project. Describe how all items will be checked for structural integrity, sediment accumulation and functionality. Any damage or undermining shall be repaired immediately. Provide specifics on how repairs will be made. The following additional procedures will be used to maintain, in good and effective operating conditions, the vegetation, erosion and sediment control measures and other protective measures identified in this plan. It will be the Contractor's responsibility to attain maintenance guidelines for any manufactured BMPs which are to be installed and maintained per manufacture's specifications.

IV. Inspections:

Qualified personnel shall inspect disturbed areas of the construction site including Borrow, Waste, and Use Areas, which have not yet been finally stabilized, structural control measures, and locations where vehicles and equipment enter and exit the site using IDOT Storm Water Pollution Prevention Plan Erosion Control Inspection Report, BC 2259. Such inspections shall be conducted at least once every seven (7) calendar days and within twenty-four (24) hours of the end of a storm or by the end of the following business or work day that is 0.5 inch or greater or equivalent snowfall.

Inspections may be reduced to once per month when construction activities have ceased due to frozen conditions. Weekly inspections will recommence when construction activities are conducted, or if there is 0.5" or greater rain event, or a discharge due to snowmelt occurs.

If any violation of the provisions of this plan is identified during the conduct of the construction work covered by this plan, the Resident Engineer shall notify the appropriate IEPA Field Operations Section office by email at: epa.swnoncomp@illinois.gov, telephone or fax within twenty-four (24) hours of the incident. The Resident Engineer shall then complete and submit an "Incidence of Non-Compliance" (ION) report for the identified violation within five (5) days of the incident. The Resident Engineer shall use forms provided by IEPA and shall include specific information on the cause of noncompliance, actions which were taken to prevent any further causes of noncompliance, and a statement detailing any environmental impact which may have resulted from the noncompliance. All reports of non-compliance shall be signed by a responsible authority in accordance with Part VI. G of the Permit ILR10.

The Incidence of Non-Compliance shall be mailed to the following address:

Illinois Environmental Protection Agency
Division of Water Pollution Control
Attn: Compliance Assurance Section
1021 North Grand East
Post Office Box 19276
Springfield, Illinois 62794-9276

V. Failure to Comply:

Failure to comply with any provisions of this Storm Water Pollution Prevention Plan will result in the implementation of a National Pollutant Discharge Elimination System/Erosion and Sediment Control Deficiency Deduction against the Contractor and/or penalties under the Permit ILR10 which could be passed on to the Contractor.



Illinois Environmental Protection Agency

1021 North Grand Avenue East • P.O. Box 19276 • Springfield • Illinois • 62794-9276 • (217) 782-3397

Uncontaminated Soil Certification by Licensed Professional Engineer or Licensed Professional Geologist for Use of Uncontaminated Soil as Fill in a CCDD or Uncontaminated Soil Fill Operation LPC-663 Revised in accordance with 35 Ill. Adm. Code 1100, as amended by PCB R2012-009 (eff. Aug. 27, 2012)

This certification form is to be used by professional engineers and professional geologists to certify, pursuant to 35 Ill. Adm. Code 1100.205(a)(1)(B), that soil (i) is uncontaminated soil and (ii) is within a pH range of 6.26 to 9.0. If you have questions about this form, please telephone the Bureau of Land Permit Section at 217/524-3300.

This form may be completed online, saved locally, printed and signed, and submitted to prospective clean construction or demolition debris (CCDD) fill operations or uncontaminated soil fill operations.

I. Source Location Information

(Describe the location of the source of the uncontaminated soil)

Project Name: US 12 (Rand Road): E Central Rd & Mt Prospect Rd Office Phone Number, if available: 847-705-4122

Physical Site Location (address, including number and street):

3510-2 (222-226 N Louis St), 3510-8 (824 E Rand Rd), 3510-15 (915 E Rand Rd)

City: Mount Prospect State: IL Zip Code: 60056

County: Cook Township: Elk Grove

Lat/Long of approximate center of site in decimal degrees (DD.ddddd) to five decimal places (e.g., 40.67890, -90.12345):

Latitude: 42.06701 Longitude: - 87.92297

(Decimal Degrees)

(-Decimal Degrees)

Identify how the lat/long data were determined:

GPS Map Interpolation Photo Interpolation Survey Other

Google Earth - Approximate center of multiple addresses

IEPA Site Number(s), if assigned: BOL: _____ BOW: _____ BOA: _____

Approximate Start Date (mm/dd/yyyy): TBD Approximate End Date (mm/dd/yyyy): TBD

Estimated Volume of debris (cu. Yd.): 32

II. Owner/Operator Information for Source Site

Site Owner

Name: Illinois Dept of Transportation, District 1

Street Address: 201 W. Center Court

PO Box: _____

City: Schaumburg State: IL

Zip Code: 60196 Phone: 847-705-4122

Contact: Irma Romiti-Johnson

Email, if available: Irma.Romiti-Johnson@illinois.gov

Site Operator

Name: Illinois Dept of Transportation, District 1

Street Address: 201 W. Center Court

PO Box: _____

City: Schaumburg State: IL

Zip Code: 60196 Phone: 847-705-4122

Contact: Irma Romiti-Johnson

Email, if available: Irma.Romiti-Johnson@illinois.gov

This Agency is authorized to require this information under Section 4 and Title X of the Environmental Protection Act (415 ILCS 5/4, 5/39). Failure to disclose this information may result in: a civil penalty of not to exceed \$50,000 for the violation and an additional civil penalty of not to exceed \$10,000 for each day during which the violation continues (415 ILCS 5/42). This form has been approved by the Forms Management Center.

Uncontaminated Soil Certification

III. Basis for Certification and Attachments

For each item listed below, reference the attachments to this form that provide the required information.

a. A Description of the soil sample points and how they were determined to be sufficient in number and appropriately located 35 Ill. Adm. Code 1100.610(a)]:

Refer to Fig 4-1 in the Final PSI and borings 3510-2-01 (US 12 Sta. 221+00, 33 Right), 3510-8-01 (US 12 Sta. 231+15, 37 Left), and 3510-15-04 (US 12 Sta. 246+60, 100 Right).

b. Analytical soil testing results to show that soil chemical constituents comply with the maximum allowable concentrations established pursuant to 35 Ill. Adm. Code Part 1100, Subpart F and that the soil pH is within the range of 6.25 to 9.0, including the documentation of chain of custody control, a copy of the lab analysis; the accreditation status of the laboratory performing the analysis; and certification by an authorized agent of the laboratory that the analysis has been performed in accordance with the Agency's rules for the accreditation of environmental and the scope of the accreditation [35 Ill. Adm. Code 1100.201 (g), 1100.205(a), 1100.610]:

Refer to Tables 4-2 and 4-3 in the Final PSI Report for results summary and STAT Analysis Corporation report #21100829. Site specific table of results is attached to this form.

IV. Certification Statement, Signature and Seal of Licensed Professional Engineer or Licensed Professional Geologist

I, Jeremy J. Reynolds, P.G. (name of licensed professional engineer or geologist) certify under penalty of law that the information submitted, including but not limited to, all attachments and other information, is to the best of my knowledge and belief, true, accurate and complete. In accordance with the Environmental Protection Act [415 ILCS 5/22.51 or 22.51a] and 35 Ill. Adm. Code 1100.205(a), I certify that the soil from this site is uncontaminated soil. I also certify that the soil pH is within the range of 6.25 to 9.0. In addition, I certify that the soil has not been removed from the site as part of a cleanup or removal of contaminants. All necessary documentation is attached.

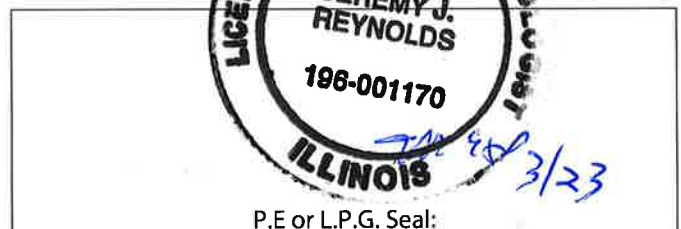
Any person who knowingly makes a false, fictitious, or fraudulent material statement, orally or in writing, to the Illinois EPA commits a Class 4 felony. A second or subsequent offense after conviction is a Class 3 felony. (415 ILCS 5/44(h))

Company Name: Huff & Huff, Inc. / GZA GeoEnvironmental, Inc.
Street Address: 915 Harger Road, Suite 330
City: Oak Brook State: IL Zip Code: 60523
Phone: 630-684-9100

Jeremy J. Reynolds, P.G.
Printed Name:

[Signature]
Licensed Professional Engineer or
Licensed Professional Geologist Signature:

Jan 17, 2022
Date:



P.E or L.P.G. Seal:



A Subsidiary of GZA

GEOTECHNICAL

ENVIRONMENTAL

ECOLOGICAL

WATER

CONSTRUCTION
MANAGEMENT

915 Harger Road
Suite 330
Oak Brook, IL 60523
T: 630.684.9100
F: 630.684.9120
www.huffnhuff.com
www.gza.com



To: Mr. Steven Sugg, P.E., PTOE
From: Jeremy J. Reynolds, P.G. - Huff & Huff, Inc.
Date: August 13, 2021
Re: CCDD LPC-663 Rand Road, Central Road, and Mt. Prospect Road Improvements Project

Huff & Huff, Inc., a subsidiary of GZA (H&H/GZA) provided services in support of a Form LPC-663 for the local roads portion of the Rand Road, Central Road, and Mt. Prospect Road Improvements Project. Nine (9) potentially impacted properties (PIPs) were identified near the Project Area, which consists of areas along Mt. Prospect Road from Rand Road to Busse Avenue and along Central Road from Rand Road to Westgate Road in Mt Prospect, Cook County, Illinois (Project Corridor).

Therefore, the LPC-663 form was utilized, and on March 19 and March 29, 2021, thirteen (13) soil borings were advanced within the Project Area in proximity to the PIPs. Soils were screened in the field using a photoionization detector (PID). Soil samples were submitted for the analysis of one or more of the following contaminants of concern associated with the identified PIPs: volatile organic compounds (VOCs); polynuclear aromatic compounds (PNAs); total RCRA metals, excluding total chromium; total lead; TCLP chromium; and TCLP iron. Samples were also analyzed for soil pH using laboratory analysis to assess CCDD suitability of Project Corridor soils.

Analytical Results

Soil pH: Fifteen (15) samples were submitted for soil pH analysis and are considered representative of the Project Corridor. All samples had pH results that ranged from 7.56 to 8.77, within the acceptable 6.25 to 9.00 range, except the following:

- Sample SB-5 (0-4') had a pH level the that exceeded the range for CCDD disposal.

Therefore, with the exception of soils in the vicinity of SB-5 (0-4), soils from this Project Corridor are considered to achieve the CCDD soil pH criteria.

VOCs: The VOC results achieve their respective Tier 1 ROs for the following exposure pathways: residential ingestion and inhalation; industrial/commercial ingestion and inhalation; construction worker ingestion and inhalation; and soil component of groundwater ingestion (Class I). The results also achieve the MACs for CCDD disposal.

PNAs: Several PNAs were detected in SB-1 (0-4'), SB-5 (0-4'), SB-6 (0-4'), SB-10 (0-4'), and SB-12 (0-4') below their respective MAC values and the following were above MAC values:

- Benzo(a)pyrene was detected in samples SB-6 (0-4'), SB-10 (0-4'), and SB-12 (0-4') at concentrations (0.805 mg/kg, 0.547 mg/kg, and 0.558 mg/kg, respectively) that exceeded the MAC value for disposal outside of a populated area (0.09 mg/kg).
- Benzo(b)fluoranthene was detected in samples SB-6 (0-4') at a concentration (1.13 mg/kg,) that exceeded the MAC value for disposal outside of a populated area and within a populated area in a non-MSA county (0.9 mg/kg).



- Dibenzo(a,h)anthracene was detected in samples SB-6 (0-4') at a concentration (0.13 mg/kg,) that exceeded the MAC value for disposal outside of a populated area (0.09mg/kg).

The remaining samples had PNA concentrations below the detection limits, achieving the MACs for CCDD disposal.

RCRA Metals: The following samples had detectable concentrations of one or more RCRA metals: SB-1 (0-4'), SB-2 (4-8'), SB-3 (8-12'), SB-4 (4-8'), SB-5 (0-4'), SB-6 (0-4'), SB-7 (8-12'), SB-9 (8-12'), SB-10 (0-4'), SB-11 (4-8'), SB-12 (0-4'), SB-13 (4-8'), and SB-14 (0-4'). The following samples had detections above applicable MAC values:

- Soil sample SB-10 (0-4') contained total lead (108 mg/kg) at concentrations that exceeded the default MAC value (107 mg/kg) for disposal. Sample SB-10 (0-4') was subsequently analyzed for TCLP lead with a detection (0.00821 mg/L) above the MAC value (0.0075 mg/L). Sample SB-10 (4-8') was subsequently analyzed for total lead. Results were below the MAC value.
- Soil sample SB-9 (8-12') contained total arsenic (13.0 mg/kg) at concentration that exceeded the MAC value (11.3 mg/kg) for disposal in a non-MSA county but did not exceed the MAC value for disposal in an MSA county (13.0 mg/kg). This will preclude soil from the vicinity as being eligible for disposal in a non-MSA county.
- Soil sample, SB-5 (0-4'), contained a total mercury concentration (0.375 mg/kg) that exceeded the MAC value for elemental mercury (0.1 mg/kg) and the construction worker inhalation objective (0.1 mg/kg) but achieved the MAC value for ionic mercury (0.89 mg/kg). The construction worker inhalation RO for mercury is based on elemental mercury, and mercury detected in this location is considered to be attributed to inorganic mercury salt compounds in the soil.

Based on exceedances of the MAC values, exclusion zones have been established relative to the locations of SB-05, SB-9, SB-10, and SB-13. The CCDD exclusion zones within the Project Area are depicted on Figure 4-2. The soil generated from these borings are **NOT** certified for CCDD disposal but must be managed as a non-special waste with final disposition at a Subtitle D Sanitary Landfill.

CCDD Exclusion Areas

- **SB-10 (0-4 feet bgs):** SB-10 (0-4') exceeded the MAC for lead. The area is defined as from the midpoint between SB-9 and SB-10, located approximately 360 feet east of the centerline of Rand Road, and extends approximately 450 feet east to the eastern extent of the Project Corridor and is inclusive of the SB-11 location. The exclusion zone extends from the southern end of the Project Corridor along Central Road and extends north to the centerline of Central Road. *These soils are considered to be 669.05 (a)(1) soils.*
- **SB-9 and SB-13 (0-12 feet bgs):** A Highway Authority Agreement was identified along Central Road in the vicinity of soil borings SB-9 and SB-13. The area is defined as along Central Road from approximately 225 feet east of the IDOT ROW along Rand Road extending approximately 200 feet east to approximately 95 feet west of the centerline of Mt. Prospect Plaza. The exclusion zone extends from the southern end of the Project



August 13, 2021

Preliminary Site Investigation – LPC-663 Form Memo

Rand Road, Central Road, and Mt. Prospect Road Improvements Project

Mt. Prospect, Cook County

81.0220055.24

Page | 3

Corridor to the northern end of the Project Corridor along Central Road. *These soils are considered to be 669.05 (a)(5) soils.*

- **SB-5 (0-4 feet bgs):** SB-5 (0-4') exceed the MAC for pH. The area is defined as from the midpoint between SB-4 and SB-5, located approximately 380 feet north of the centerline of Busse Avenue and extends approximately 250 feet north to the midpoint between SB-5 and SB-6, located approximately 45 feet south of the centerline of Central Road. The exclusion zone extends from the western extent of the Project Corridor along Mt. Prospect Road and extends east to the centerline of Mt. Prospect Road. *These soils are considered to be 669.05 (b)(1) soils.*

Should soils be encountered within the areas identified as CCDD acceptable that are not representative of the soils encountered during the PSI boring activities (odors, staining, or debris), those soils would need to be reassessed prior to disposal at a "clean fill" facility.

Soils from the remainder of the Project Corridor may be reused onsite or disposed of at a CCDD facility in an MSA County. Based on the location of the proposed improvements, it is anticipated that spoils from the project will be directed to locations within an MSA county. Should spoils be directed outside of an MSA county, the SB-6 (0-4') and SB-12 (0-4') soils considered to require establishment of a CCDD exclusion zone. The CCDD regulations require completion of Uncontaminated Soil Certification by Licensed Professional Engineer or Geologist (LPC-663) prior to placement of soils at either a CCDD or soil-only facility, in cases where PIPs have been identified. PIPs have been identified along the entire Project Corridor, making an LPC-663 necessary for this project.

Jeremy J. Reynolds, P.G.

Associate Principal



Illinois Environmental Protection Agency

1021 North Grand Avenue East • P.O. Box 19276 • Springfield • Illinois • 62794-9276 • (217) 782-3397

Uncontaminated Soil Certification by Licensed Professional Engineer or Licensed Professional Geologist for Use of Uncontaminated Soil as Fill in a CCDD or Uncontaminated Soil Fill Operation LPC-663 Revised in accordance with 35 Ill. Adm. Code 1100, as amended by PCB R2012-009 (eff. Aug. 27, 2012)

This certification form is to be used by professional engineers and professional geologists to certify, pursuant to 35 Ill. Adm. Code 1100.205(a)(1)(B), that soil (i) is uncontaminated soil and (ii) is within a pH range of 6.26 to 9.0. If you have questions about this form, please telephone the Bureau of Land Permit Section at 217/524-3300.

This form may be completed online, saved locally, printed and signed, and submitted to prospective clean construction or demolition debris (CCDD) fill operations or uncontaminated soil fill operations.

I. Source Location Information

(Describe the location of the source of the uncontaminated soil)

Project Name: Mt. Prospect Rd and Central Rd Improvement Project Office Phone Number, if available: _____

Physical Site Location (address, including number and street):

Mt. Prospect Rd From Rand Rd to Busse Ave and along Central Rd from Rand Rd to Westgate Rd (see attached docs.)

City: Mt. Prospect State: IL Zip Code: 60016

County: Cook Township: _____

Lat/Long of approximate center of site in decimal degrees (DD.ddddd) to five decimal places (e.g., 40.67890, -90.12345):

Latitude: 42.06613 Longitude: - 87.92061

(Decimal Degrees) (-Decimal Degrees)

Identify how the lat/long data were determined:

GPS Map Interpolation Photo Interpolation Survey Other

ISGS Public Land Survey System. Lat/lon above refer to the approximate center of the Project Area

IEPA Site Number(s), if assigned: BOL: _____ BOW: _____ BOA: _____

Approximate Start Date (mm/dd/yyyy): _____ Approximate End Date (mm/dd/yyyy): _____

Estimated Volume of debris (cu. Yd.): _____

II. Owner/Operator Information for Source Site

Site Owner

Name: Village of Mount Prospect

Street Address: 1700 West Central Road

PO Box: _____

City: Mt. Prospect State: IL

Zip Code: 60056 Phone: 847-870-5640

Contact: Matt Lawrie, PE Assistant Village Engineer

Email, if available: mlawrie@mountprospect.org

Site Operator

Name: _____

Street Address: _____

PO Box: _____

City: _____ State: _____

Zip Code: _____ Phone: _____

Contact: _____

Email, if available: _____

This Agency is authorized to require this information under Section 4 and Title X of the Environmental Protection Act (415 ILCS 5/4, 5/39). Failure to disclose this information may result in: a civil penalty of not to exceed \$50,000 for the violation and an additional civil penalty of not to exceed \$10,000 for each day during which the violation continues (415 ILCS 5/42). This form has been approved by the Forms Management Center.

III. Basis for Certification and Attachments

For each item listed below, reference the attachments to this form that provide the required information.

a. A Description of the soil sample points and how they were determined to be sufficient in number and appropriately located 35 Ill. Adm. Code 1100.610(a)]:

A 2021 database review was completed in addition to a 2018 PESA for the Project Area, which consists of residential and commercial properties. Nine (9) potentially impacted properties (PIPs) were identified in connection with the Project Area through the database review and site visit. Refer to the attachments for additional information.

b. Analytical soil testing results to show that soil chemical constituents comply with the maximum allowable concentrations established pursuant to 35 Ill. Adm. Code Part 1100, Subpart F and that the soil pH is within the range of 6.25 to 9.0, including the documentation of chain of custody control, a copy of the lab analysis; the accreditation status of the laboratory performing the analysis; and certification by an authorized agent of the laboratory that the analysis has been performed in accordance with the Agency's rules for the accreditation of environmental and the scope of the accreditation [35 Ill. Adm. Code 1100.201 (g), 1100.205(a), 1100.610]:

13 soil borings were advanced in the Project Area on March 19 and March 29, 2021. Samples were analyzed for one or more of: VOCs, PNAs, RCRA Metals, TCLP chromium; TCLP lead; TCLP iron; and pH. With the exception of SB-05, SB-09, SB-10, and SB-13, results achieve the CCDD requirements. Refer to the attachments for addn. info.

IV. Certification Statement, Signature and Seal of Licensed Professional Engineer or Licensed Professional Geologist

I, Jeremy J. Reynolds, P.G. (name of licensed professional engineer or geologist) certify under penalty of law that the information submitted, including but not limited to, all attachments and other information, is to the best of my knowledge and belief, true, accurate and complete. In accordance with the Environmental Protection Act [415 ILCS 5/22.51 or 22.51a] and 35 Ill. Adm. Code 1100.205(a), I certify that the soil from this site is uncontaminated soil. I also certify that the soil pH is within the range of 6.25 to 9.0. In addition, I certify that the soil has not been removed from the site as part of a cleanup or removal of contaminants. All necessary documentation is attached.

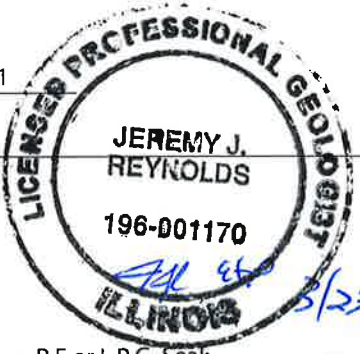
Any person who knowingly makes a false, fictitious, or fraudulent material statement, orally or in writing, to the Illinois EPA commits a Class 4 felony. A second or subsequent offense after conviction is a Class 3 felony. (415 ILCS 5/44(h))

Company Name: Huff & Huff, Inc.
Street Address: 915 Harger Rd Suite 330
City: Oak Brook State: IL Zip Code: 60523
Phone: (630) 684-9100

Jeremy J. Reynolds, P.G.
Printed Name:



Licensed Professional Engineer or
Licensed Professional Geologist Signature:

Aug 13, 2021
Date: _____

P.E or L.P.G. Seal:



August 13, 2021

Preliminary Site Investigation – CCDD Narrative

Rand Road, Central Road, and Mt. Prospect Road Improvements Project

Mt. Prospect, Cook County

81.0220055.24

Page | 1

Uncontaminated Soil Certification

by Licensed Professional Engineer or Licensed Professional Geologist for Use of Uncontaminated Soil as Fill in a CCDD or Uncontaminated Soil Fill Operation.

LPC-663

Owner: City of Mt. Prospect

Project Name: Rand Road, Central Road, and Mt. Prospect Road Improvements Project

III. Basis for Certification and Attachments

Explain the basis upon which you are certifying that the soil from this site is uncontaminated soil.

This form pertains to soils excavated from the Rand Road, Central Road, and Mt. Prospect Road Improvements Project which is along Mt. Prospect Road from Rand Road to Busse Avenue and along Central Road from Rand Road to Westgate Road in Mt. Prospect, Cook County, Illinois.

The planned improvements include road reconstruction and utility improvements. The maximum depth of excavation is currently unknown but is anticipated to be 12 feet below ground surface (bgs) in select areas of parking lot improvements. Maps depicting the Project Area location, identified sites, and sample locations are included in **Attachment A**, and a photo log of site reconnaissance is included in **Attachment B**.

The following information presents a summary of the records review, the identified PIPs, and other nearby sites. The 2019 PESA is included in **Attachment C**. The analyses conducted and results are summarized at the end of this narrative. The laboratory analytical reports are included in **Attachment D**.

Historic Aerials

A review of publicly available aerial photographs indicates that the 1938 aerial photograph, the earliest aerial photograph, depict the Project Area as developed with Central Road and Rand Road in their present-day configurations with S. Mt. Prospect Road depicted as constructed south of Central Road. The area to the southwest of the Project Area is depicted as developed with residential properties. The surrounding area is depicted as undeveloped with agricultural land. The 1951 and 1952 historical aerials depict further expansion of the residential properties to the southwest and residential properties constructed to the southeast. The 1960, 1961, and 1962 historical aerials depict the construction of the shopping plaza to the north of the Project Area and numerous commercial properties to the north and south of the Project Area. The 1972 and 1974 historical aerials depict further construction of commercial properties along Rand Road. The 1981 and 1988 historical aerials depict the construction of several other commercial properties and residential properties in the vicinity, resembling present day configurations. No significant changes are depicted in the 1998 through 2017 historical aerials.

Records Search

Per the 2018 PESA, the following site descriptions and table summarizes the identified PIPs that are adjacent to the Project Area.



Preliminary Site Investigation – CCDD Narrative

Rand Road, Central Road, and Mt. Prospect Road Improvements Project

Mt. Prospect, Cook County

81.0220055.24

Table-1 Summary of Sites Identified to be Potentially Impacted Properties

Site ID	Property Name	Reason(s)	Regulatory Database(s)	Land Use
3510-14	US Bank	Former USTs; potential UST(s); monitoring wells; potential former chemical use; impacted soil and groundwater; HAA; transformer; potential ACM and lead paint	BOL, SRP, HAA, AULs	Commercial
3510-15	Century Tile and Carpet	HAA; transformers; potential ACM and lead paint	HAA, AUL	Commercial
3510-16	Mount Prospect Plaza	Potential UST(s); evidence of chemical use; potential monitoring well; former monitoring wells; impacted soil and groundwater; HAA; transformers; potential ACM and lead paint	RCRA, BOL, SRP, HAA, AULs	Commercial
3510-17	Chase Bank	Former monitoring well; HAA; transformer; potential ACM and lead paint	HAA, AUL	Commercial
3510-18	Mattress Firm	Former UST(s) with documented releases; potential UST(s); evidence of former chemical use; former monitoring wells; impacted soil and groundwater; HAA; transformers; potential ACM and lead paint	RCRA, BOL, UST, LUST, IEMA, HAA, AULs	Commercial
3510-19	Commercial building	Former monitoring wells; HAA; transformers; potential ACM and lead paint	HAA, AUL	Commercial
3510-22	Walgreens	Former monitoring wells; HAA; transformer; potential ACM and lead paint	HAA, AUL	Commercial
3510-23	Marathon gas station	USTs; former USTs with a documented release; potential UST(s); monitoring wells; former monitoring wells; evidence of chemical use; impacted soil and groundwater; HAA; potential ACM and lead paint	RCRA, BOL, UST, LUST, IEMA, HAA, AULs	Commercial
3510-24	Advocate Outpatient Center	Former UST(s) with documented releases; potential UST(s); monitoring well; former monitoring wells; evidence of former chemical use; impacted soil and groundwater; HAA; transformers; potential ACM and lead paint	RCRA, BOL, UST, LUST, IEMA, HAA, AUL	Commercial



August 13, 2021

Preliminary Site Investigation – CCDD Narrative

Rand Road, Central Road, and Mt. Prospect Road Improvements Project

Mt. Prospect, Cook County

81.0220055.24

Page | 3

US Bank (Site ID 3510-14)

This site is occupied by a bank. Five monitoring wells were observed at this site in the locations of MW-1, MW-2, MW-3, MW-4, and MW-5 on Attachment 4. One pad-mounted transformer was observed near the north corner of the site.

On the 1861 through 1904 plat maps, the site was under individual ownership, with no buildings shown. On the 1939 through 1954 plat maps, no ownership was depicted. On the 1979 plat map, the site was shown as incorporated within the village of Mount Prospect. On the 1938 and 1951 aerial photographs, the site was under agricultural use. On the 1960 aerial photo, the site was occupied by vacant land with a grassy appearance. On the 1961 through 1974 aerial photos, a gas station was shown. On the 1980 through 2017 aerial photos, the gas station was no longer visible, and the current building was present. Based on Mount Prospect addressing conventions, an alternate address for this site includes 1010 E. Rand Road. In the 1969 through 1975 city directories, a gas station was listed at 1010 E. Rand Road. In the 1978 through 2007 directories, the gas station was no longer listed, and various banks were listed at the current address, with the exception of 2004, when no listings were found. In the 2010 and 2013 directories, no listings were found. In the 2016 directory, the current occupant was listed at the current address.

Under the name “Mount Prospect Plaza Owner LLC” and the address “940 E Rand Rd”, this site appears on the BOL list (IEPA #0311985197). Under the name “Mount Prospect Plaza Owner, LLC”, the address “940 East Rand Road”, and the same IEPA number, this site appears on the SRP list. According to IEPA files, in August 2006, Mount Prospect Plaza Owner LLC enrolled in the SRP with the objective of receiving a comprehensive NFR letter prior to a property transfer. Under the direction of multiple site consultants, including Property Solutions, Inc. and Pioneer Environmental Services, LLC (Pioneer), numerous rounds of soil and groundwater sampling were conducted between 2005 and 2006 to address the potential for impact related to former site operations. Based on historic site maps referenced in IEPA files, three gasoline USTs, one heating-oil UST, and one motor-oil UST were removed from this site at an unspecified date (see

Attachment 4 for the locations of the former USTs). This site does not appear on the UST list.

The investigations included the completion of numerous soil borings, some of which were converted into temporary monitoring wells, and the installation of five permanent monitoring wells (see MW-1 through MW-5 on Attachment 4). All of the monitoring wells depicted on Attachment 4 were present during fieldwork for this project. During the investigations, soil and groundwater samples were analyzed for VOCs, PNAs, SVOCs, MTBE, total metals, SPLP and TCLP metals, pesticides, and PCBs. Soil samples were also analyzed for total petroleum hydrocarbons (TPH). Depth to groundwater ranged from 0.73 to 2.3 m (2.4 to 7.4 ft), and the groundwater flow direction was estimated to be toward the southwest. During the most recent round of soil sampling in March 2006, various BTEX compounds exceeded TACO Tier 1 residential, industrial/commercial, and construction worker SROs. During the most recent round of groundwater sampling in May 2006, lead was detected in MW-4 above the Class I GRO, and benzene and ethylbenzene were detected in MW-4 above the Class II GROs. See Attachment 5 and Attachment 6 for the estimated extent of VOC- and lead-impacted soil and groundwater.

To determine the extent of impacted soil, Pioneer conducted Tier 2 modeling which predicted impact would extend into the Rand Road ROW. See Attachment 5 for the modeled extent of VOC-impacted groundwater, and Attachment 6 for the modeled extent of lead-impacted groundwater. On May 20, 2009, HAA #1083 was executed with IDOT for the Rand Road ROW (see Attachment 7, page 9, for the area of HAA #1083). The agreement area for HAA #1038 adjoins Site 3510-15. Pioneer proposed to use HAA #1038 and additional AULs to manage the remaining impact. Based on this information, IEPA issued a comprehensive NFR letter under the SRP on March 10, 2011, with the following AULs: industrial/commercial land use restriction, an engineered barrier in the form of an asphalt cap, maintenance of HAA #1083 with IDOT,



August 13, 2021

Preliminary Site Investigation – CCDD Narrative

Rand Road, Central Road, and Mt. Prospect Road Improvements Project

Mt. Prospect, Cook County

81.0220055.24

Page | 4

groundwater use restriction, and worker safety plan (Attachment 7). No further information was present in IEPA files regarding IEPA #0311985197.

Historic gas stations commonly conducted auto repairs on the premises. Potential hazards associated with vehicle repair facilities include waste oil, lubricants, and transmission fluids; spent solvents; waste paints and thinners; sludge from parts-cleaning tanks; oily sludge from floor sumps; used antifreeze; used lead-acid batteries; and undocumented UST(s).

No visual evidence of stressed vegetation, pits or depressions, mounding or soil piles, lagoons or surface impoundments, stained soil or pavement, water discoloration, fill, storage tanks (above or underground), pumps or dispensers, protruding pipes, pipelines, drums, chemical containers, solid waste, non-petroleum chemical use or storage, or unusual or noxious odors was observed at this site during a site inspection by ISGS on May 3, 2018.

The following data gap was identified at this site:

- The status and locations of any undocumented UST(s) at this site are unknown.

The building on this site may contain friable asbestos-containing materials as a component of floor tiles, wall and pipe insulation, roof materials, patching or painting compounds, ceiling materials, or stove and furnace insulation. Lead paint was banned for residential use in the United States in 1978 but has not been banned for industrial and commercial use. Therefore lead paint may be present in this building. The following RECs were identified at this site: Former USTs; potential UST(s); monitoring wells; potential former chemical use; impacted soil and groundwater; HAA.

The following de minimis conditions were identified at this site: Transformer; potential ACM and lead paint.

Century Tile and Carpet (Site ID 3510-15)

This site is occupied by a tile and carpet retailer. Three pole-mounted transformers were observed near the west corner of the site. This site did not appear on any of the regulatory lists checked for this project.

On the 1861 through 1904 plat maps, the site was under individual ownership, with no buildings shown. On the 1939 through 1954 plat maps, no ownership was depicted. On the 1979 plat map, the site was shown as incorporated within the village of Mount Prospect. On the 1938 and 1951 aerial photographs, the site was under agricultural use. On the 1960 through 1974 aerial photos, two commercial buildings were shown, which resembled the northwest and southeast portions of the current building. On the 1980 through 2017 aerial photos, the central portion of the building was shown, and the site had its current configuration. Based on Mount Prospect addressing conventions, an alternative address for this site includes 913 E. Rand Road. In the 1969 city directory, no listings were found. In the 1972 through 1978 directories, a shoe repair business was listed at 913 E. Rand Road. In the 1981 directory, no listings were found. In the 1984 through 2016 directory, the current occupant was listed at the current address. The complete commercial history of this site is unknown.

Information in IEPA files for Site 3510-14 (IEPA #0311985197) pertained to this site. HAA #1083 was executed with IDOT for the Rand Road ROW (see Attachment 7, page 9, for the area for this HAA). The agreement area for this HAA adjoins this site. See Site 3510-14 for further details.

No visual evidence of stressed vegetation, pits or depressions, mounding or soil piles, lagoons or surface impoundments, stained soil or pavement, water discoloration, fill, storage tanks (above or underground), pumps or dispensers, protruding



August 13, 2021

Preliminary Site Investigation – CCDD Narrative

Rand Road, Central Road, and Mt. Prospect Road Improvements Project

Mt. Prospect, Cook County

81.0220055.24

Page | 5

pipes, pipelines, drums, chemical containers, monitoring wells, solid waste, non-petroleum chemical use or storage, or unusual or noxious odors was observed at this site during a site inspection by ISGS on May 3, 2018.

The following data gap was identified at this site:

- The complete commercial history of this site is unknown.

The building on this site may contain friable asbestos-containing materials as a component of floor tiles, wall and pipe insulation, roof materials, patching or painting compounds, ceiling materials, or stove and furnace insulation. Lead paint was banned for residential use in the United States in 1978 but has not been banned for industrial and commercial use. Therefore lead paint may be present in this building.

The following REC was identified at this site: HAA.

The following de minimis conditions were identified at this site: Transformers; potential ACM and lead paint.

Mount Prospect Plaza (Site ID 3510-16)

This site is occupied by a multi-unit commercial building. Occupants included businesses typical of retail plazas (see address table for listings). No potential hazards were identified in association with any of the current occupants. Site features included the building in the north and east parts, with a large parking lot to its southwest. MW-2 and MW-3 on Attachment 8 were not present during fieldwork for this project. Since the inside of the building was not inspected, the status of MW-1 on Attachment 8 is unknown. Eighteen transformers were observed: nine between three poles north of the occupants at 1000, 1018, and 1046 Mount Prospect Plaza, one on a pad east of the occupant at 1068 Mount Prospect Plaza, three on a pole northeast of the occupant at 1111 Mount Prospect Plaza, and six between two poles northeast of the occupant at 1141 Mount Prospect Plaza.

On the 1861 through 1904 plat maps, the site was under individual ownership, with no buildings shown. On the 1939 through 1954 plat maps, no ownership was depicted. On the 1979 plat map, the site was shown as incorporated within the village of Mount Prospect. On the 1938 and 1951 aerial photographs, the site was under agricultural use. The 1960 through 1980 aerial photos showed the gradual expansion of an earlier version of the current shopping center. Also on the 1960 through 1980 aerial photos, portions of the current building were visible, and a larger building was shown at the northeast corner of the site. In the 1988 through 2017 aerial photos, the larger building had been removed and replaced by a current section of the shopping center, and the site had its current configuration. Based on Mount Prospect addressing conventions, an alternate address for this site includes 1008 E. Rand Road. In the 1969 city directory, no listings were found. In the 1972 through 1975 directories, various retailers and service providers were listed, including a dry cleaner at 1143 Mount Prospect Plaza. In the 1978 through 1984 directories, various retailers and service providers were listed at the current address, including a dry cleaner at 1143 Mount Prospect Plaza, and Kmart automotive at 1084 Mount Prospect Plaza in the 1984 directory. In the 1987 through 2001 directories, various retailers and service providers were listed at the current address and at 1008 E. Rand Road, including a dry cleaner at 1143 Mount Prospect Plaza. Also, in the 1995 directory, a printing company was listed at 1046 Mount Prospect Plaza. In the 2004 through 2016 directories, various retailers and service providers, some of which are current occupants, were listed. No other potential hazards were identified in association with any of the other former occupants in the 1972 through 2016 directories.



August 13, 2021

Preliminary Site Investigation – CCDD Narrative

Rand Road, Central Road, and Mt. Prospect Road Improvements Project

Mt. Prospect, Cook County

81.0220055.24

Page | 6

This site has two listings on the RCRA list, one listing on the SRP list, and four listings on the BOL list. Two of the BOL listings had an associated RCRA listing, and one had an associated SRP listing. The RCRA, SRP, and BOL listings will be discussed first, followed by single BOL listings, in IEPA number order below.

Under the name “Care Cleaners” and the address “1143 Mt Prospect Plaza”, this site appears on the active RCRA list (USEPA #ILD984855627). Under the name “Care Cleaners” and the address “1143 Mt Prospect Plz”, this site appears on the BOL list (IEPA #0311985101). Under the name “Care Cleaners” and the address “1143 Mount Prospect Plaza”, this site appears on the SRP list. According to IEPA files, between March 1992 and July 1997, Care Cleaners registered with USEPA and IEPA as a generator of 100 to 1,000 kg/mo (220 to 2,200 lb/mo) of tetrachloroethylene, methylene chloride, trichloroethylene, 1,1,1-trichloroethane, chlorobenzene, 1,1,2-trichloro-1,2,2-trifluoroethane, ortho-dichlorobenzene, trichlorofluoromethane, and 1,1,2, trichloroethane. No further information was present in IEPA regarding the generator status of the site.

According to IEPA files, in June 2001, Care Cleaners enrolled in the SRP with the objective of receiving a focused NFR following a property transfer. Under the direction of multiple site consultants, including Property Solutions, Inc. and Pioneer Environmental Services, LLC (Pioneer), numerous soil and groundwater investigations were conducted between 2000 and 2001. These investigations included the completion of numerous soil borings and the installation of three monitoring wells (see Attachment 8 for the locations of the monitoring wells). MW-2 and MW-3 on Attachment 8 were not present during fieldwork for this project. Since the inside of the building was not inspected, the status of MW-1 on Attachment 8 is unknown. Soil and groundwater samples were collected and analyzed for VOCs during all sampling events. During the most recent soil delineation sampling event in 2001, cis-1,2-dichloroethene and trichloroethylene were detected in soil above the TACO Tier 1 residential SROs. During the most recent round of groundwater sampling in 2001, vinyl chloride was detected at MW-2 above the Class I GRO, but below the Class II GRO. Because only one groundwater sample exceeded the GRO, no maps of estimated groundwater impact impacted were prepared. Depth to groundwater was 0.8 to 1.0 m (2.7 to 3.6 ft), and the groundwater flow direction was to the northwest.

Pioneer conducted a Tier 2 evaluation to develop site-specific SROs for various VOCs. Several VOCs were detected in one sample above the site-specific Tier 2 SROs for the migration to Class I groundwater. No other compounds were detected above the site-specific Tier 2 SROs. No soil impact maps were present in IEPA files. Pioneer conducted Tier 2 modeling and determined that impacted groundwater would remain on site (see Attachment 9 for the modeled extent of impacted groundwater). Pioneer proposed to manage remaining impact through the use of AULs. Based on this information, IEPA issued a focused NFR letter under the SRP on March 6, 2002, with the following AUL: groundwater use restriction (Attachment 10). No further information was present in IEPA files for IEPA #0311985101.

Under the name “Alphagraphics” and the address “1062 Mt Prospect Plaza”, this site appears on the active RCRA list (USEPA #ILD984920652). Under the name “Alphagraphics” and the address “1062 Mt Prospect Plz”, this site appears on the BOL list (IEPA #0311985102). According to IEPA files, in April 1992, Alphagraphics registered with USEPA and IEPA as a generator of less than 100 kg/mo (220 lb/mo) of ignitable waste, and waste containing xylene, acetone, ethyl acetate, ethyl benzene, ethyl ether, methyl isobutyl ketone, n-butyl alcohol, cyclohexanone, and methanol. No further information was present in IEPA files for IEPA #0311985102.

Under the name “Sears” and the address “1008 E Rand St”, this site appears on the BOL list (IEPA #0311985205). According to IEPA files, in January 2008, Sears applied for an IEPA generator number. The reason for the application was not stated. No further information was present in IEPA files for IEPA #0311985205.



August 13, 2021

Preliminary Site Investigation – CCDD Narrative

Rand Road, Central Road, and Mt. Prospect Road Improvements Project

Mt. Prospect, Cook County

81.0220055.24

Page | 7

Under the name “Petco Store 1913” and the address “1018 Mt Prospect Plz”, this site appears on the BOL list (IEPA #0311985232). According to IEPA files, in August 2013 and March 2014, Petco registered with USEPA and IEPA as a generator of less than 100 kg/mo (220 lb/mo) of ignitable and corrosive wastes, and waste containing barium, chromium, lead, and methyl ethyl ketone. No further information was present in IEPA files for IEPA #0311985232.

Information in IEPA files for Site 3510-18 (IEPA #0311985114) pertained to this site. HAA #597 was executed with IDOT for the Rand Road ROW (see Attachment 13, page 8, for the area for this HAA). The agreement area for this HAA adjoins this site. See Site 3510-18 for further details.

Potential hazards associated with vehicle repair facilities include waste oil, lubricants, and transmission fluids; spent solvents; waste paints and thinners; sludge from parts-cleaning tanks; oily sludge from floor sumps; used antifreeze; used lead-acid batteries; and undocumented UST(s). Potential hazards associated with dry cleaning businesses include VOCs. Potential hazards associated with printing and lithography businesses include VOCs and metals.

No visual evidence of stressed vegetation, pits or depressions, mounding or soil piles, lagoons or surface impoundments, stained soil or pavement, water discoloration, fill, storage tanks (above or underground), pumps or dispensers, protruding pipes, pipelines, drums, chemical containers, monitoring wells, solid waste, non-petroleum chemical use or storage, or unusual or noxious odors was observed at this site during a site inspection by ISGS on May 3, 2018.

The following data gaps were identified at this site:

- Since the inside of the building was not inspected, the status of MW-1 on Attachment 8 is unknown.
- The status and locations of any undocumented UST(s) at this site are unknown.

The building on this site may contain friable asbestos-containing materials as a component of floor tiles, wall and pipe insulation, roof materials, patching or painting compounds, ceiling materials, or stove and furnace insulation. Lead paint was banned for residential use in the United States in 1978 but has not been banned for industrial and commercial use. Therefore lead paint may be present in this building.

The following RECs were identified at this site: Potential UST(s); evidence of chemical use; potential monitoring well; former monitoring wells; impacted soil and groundwater; HAA.

The following de minimis conditions were identified at this site: Transformers; potential ACM and lead paint.

Chase Bank (Site ID 3510-17)

This site is occupied by a bank. One pad-mounted transformer was observed along the southeast side of the building. The monitoring well (MW-6) depicted on Attachment 11 was not present during fieldwork for this project. This site did not appear on any of the regulatory lists checked for this project.

On the 1861 through 1904 plat maps, the site was under individual ownership, with no buildings shown. On the 1939 through 1954 plat maps, no ownership was depicted. On the 1979 plat map, the site was shown as incorporated within the village of Mount Prospect. On the 1938 and 1951 aerial photographs, the site was under agricultural use. On the 1960 aerial photo, the site was occupied by vacant land with a grassy appearance. On the 1961 through 1974 aerial photos, a road was shown in the center of the site, which led to a shopping center located to the northeast. On the 1980 aerial photo, the road had been removed, and the site was occupied by vacant land with a grassy appearance. On the 1988 aerial



August 13, 2021

Preliminary Site Investigation – CCDD Narrative

Rand Road, Central Road, and Mt. Prospect Road Improvements Project

Mt. Prospect, Cook County

81.0220055.24

Page | 8

photograph, a parking lot was visible. On the 1998 through 2010 aerial photos, a different commercial building was shown. On the 2011 through 2017 aerial photos, the commercial building had been removed, and replaced by the current building. In the 1969 through 1987 city directories, no listings were found. In the 1991 through 1998 directories, a restaurant was listed. In the 2001 and 2004 directories, no listings were found. In the 2007 and 2010 directories, a restaurant was listed. In the 2013 and 2016 directories, the current occupant was listed.

Information in IEPA files for Site 3510-18 (IEPA #0311985114) pertained to this site. During LUST investigations conducted for that site, in August 2001, one soil boring was completed and one monitoring well (MW-6) was installed at this site (see Attachment 11 for the location of MW-6). This monitoring well was not present during fieldwork for this project. In August 2001, a soil sample was collected and analyzed for BTEX. No BTEX was detected in soil above the TACO Tier 1 residential SROs. During the most recent round of groundwater sampling, in April 2002, one groundwater sample was collected from MW-6 and analyzed for BTEX. No BTEX compounds were detected above Class I GROs. HAA #597 was executed with IDOT for the Rand Road ROW (see Attachment 13, page 8, for the area for this HAA). The agreement area for this HAA adjoins this site. See Site 3510-18 for further details.

No visual evidence of stressed vegetation, pits or depressions, mounding or soil piles, lagoons or surface impoundments, stained soil or pavement, water discoloration, fill, storage tanks (above or underground), pumps or dispensers, protruding pipes, pipelines, drums, chemical containers, monitoring wells, solid waste, non-petroleum chemical use or storage, or unusual or noxious odors was observed at this site during a site inspection by ISGS on May 3, 2018.

No data gaps were identified at this site.

The building on this site may contain friable asbestos-containing materials as a component of floor tiles, wall and pipe insulation, roof materials, patching or painting compounds, ceiling materials, or stove and furnace insulation. Lead paint was banned for residential use in the United States in 1978 but has not been banned for industrial and commercial use. Therefore lead paint may be present in this building.

The following RECs were identified at this site: Former monitoring well; HAA.

The following de minimis conditions were identified at this site: Transformer; potential ACM and lead paint.

Mattress Firm (Site ID 3510-18)

This site is occupied by a mattress retailer. Three pole-mounted transformers were observed at the southeast corner of the site, two pole-mounted transformers were observed near the southeast corner of the building, and several small pole-mounted transformers were observed near the southeast part of the site. None of the monitoring wells depicted on Attachment 11 were present during fieldwork for this project.

On the 1861 through 1904 plat maps, the site was under individual ownership, with no buildings shown. On the 1939 through 1954 plat maps, no ownership was depicted. On the 1979 plat map, the site was shown as incorporated within the village of Mount Prospect. On the 1938 and 1951 aerial photographs, the site was under agricultural use. On the 1960 through 1980 aerial photos, a gas station was visible with a building along the west edge of the site and pump islands east of the building. On the 1988 aerial photo, two canopies were shown east of the station building. On the 1998 through 2002 aerial photos, the building had been removed and replaced by a different station building in the southwest corner of the site. On the 2005 through 2014 aerial photos, a different canopy was visible west of the station building. On the 2015 aerial photograph, the gas station had been removed, and the site was occupied by vacant land with a graded



August 13, 2021

Preliminary Site Investigation – CCDD Narrative

Rand Road, Central Road, and Mt. Prospect Road Improvements Project

Mt. Prospect, Cook County

81.0220055.24

Page | 9

appearance. On the 2016 and 2017 aerial photos, the current building was shown. In the 1969 through 1998 city directories, Rand and Central Shell gas station was listed under E. Rand Road without an address number. In the 2001 and 2004 directories, no listings were found. In the 2007 directory, a gas station was listed at this address. In the 2010 through 2016 directories, no listings were found.

Under the name “1020 Rand, LLC” and the address “1020 Central Road (Rand)”, this site appears on the UST list (OSFM #2021133) with six registered USTs. According to OSFM records, one used-oil UST was listed as removed in October 1998, three gasoline USTs were listed as removed in October 2000, and two gasoline USTs were listed as removed in May 2015. According to a map in OSFM files, the center of the used-oil UST was approximately 45 m (150 ft) southwest of the E. Rand Road centerline and 15 m (50 ft) north of the E. Central Road centerline. See IEMA #992614, #20002011, and #20150692, below, for the locations of the former gasoline USTs. No further information was present in OSFM files regarding OSFM #2021133.

Under the name “Shell Oil Products” and the address “1020 E Rand Rd”, this site appears on the inactive RCRA list (USEPA #ILR000047605). Under the name “1020 Rand LLC” and the address “1020 Central Rd”, this site appears on the BOL list (IEPA #0311985114). This site has three listings on the LUST list: one under the name “Equilon Enterprises LLC” and the address “1020 East Rand Rd” (IEMA #992614), one under the name “Equilon Enterprises” and the address “1020 East Rand Rd.” (IEMA #20002011), and one under the name “1020 Rand, LLC” and the address “1020 Central Road” (IEMA# 20150692). According to IEPA files, in January 1998, Shell Service Station registered with USEPA and IEPA as a generator of 100 to 1,000 kg/mo (200 to 2,200 lb/mo) of ignitable waste, and waste containing cadmium and benzene. No further information was present in IEPA files regarding the generator status of the site.

According to IEPA files for IEMA #992614, in 1999, a Phase II subsurface investigation was conducted to identify potential impacts associated with former site operations. On November 4, 1999, IEMA #992614 was issued after analytes in soil samples collected during the investigation exceeded TACO Tier 1 SROs. In October 2000, three gasoline USTs were removed from this site (see Attachment 11 for the location of these former USTs). During removal activities, evidence of a release was observed, and IEMA #20002011 was issued. These two releases were subsequently investigated together.

Under the direction of NESAs and Associates, Inc (NESAs), soil and groundwater removal activities and soil numerous rounds of soil and groundwater sampling were conducted between 1999 and 2002. These investigations included the completion of multiple soil borings, and the installation of nine on-site monitoring wells and two off-site monitoring wells (MW-6 at Site 3510-17, and MW-7 at Site 3510-22). Attachment 11 depicts the locations of the on-site and off-site permanent monitoring wells. Two of the monitoring wells depicted on Attachment 11 (MW-2R and MW-3R) were replacements of two monitoring wells (MW-2 and MW-3) that were removed during removal of the UST system. MW-2 and MW-3 were located in the same location as MW-2R and MW-3R.

None of the monitoring wells depicted on Attachment 11 were present during fieldwork for this project. During the most recent round of on-site soil sampling in 2001 and off-site sampling in 2002, soil samples were collected and analyzed for BTEX. No BTEX compounds were detected above TACO Tier 1 residential SROs in any of the on-site or off-site samples. During the most recent round of groundwater sampling in April 2002, benzene and ethylbenzene were detected in MW-3R above the Class II GROs. See Attachment 12 for the estimated extent of impacted soil and groundwater. No BTEX was detected in groundwater from any off-site wells. During this sampling event, the average depth to groundwater was 2.0 m (6.7 ft), and the groundwater flow direction was estimated to be toward the north and the southeast.

NESA conducted a Tier 2 evaluation to develop site-specific objectives. Benzene was detected in on-site soil above the calculated Tier 2 objective. No other BTEX compounds exceeded the site-specific objectives. NESA performed Tier 2



August 13, 2021

Preliminary Site Investigation – CCDD Narrative

Rand Road, Central Road, and Mt. Prospect Road Improvements Project

Mt. Prospect, Cook County

81.0220055.24

Page | 10

modeling for benzene and ethylbenzene in groundwater and determined impacted groundwater would migrate off-site into the Central Road and Rand Road ROWs. No maps were present in IEPA files depicting the modeled extent of impacted groundwater. On October 18, 2002, HAA #597 was executed with IDOT for the Rand Road ROW (see Attachment 13, page 8, for the area of HAA #597). The agreement area for HAA #597 adjoins Sites 3510-16, 3510-17, and 3510-22. NESAs proposed to use HAA #597 and additional AULs to manage the remaining impact. Based on this information, IEPA issued an NFR letter for IEMA #992614 and #20002011 on September 11, 2003, with the following AULs: worker safety plan, groundwater use restriction, an engineering control in the form of a concrete/asphalt barrier, and maintenance of HAA #597 with IDOT (Attachment 13). In January 2017, IEPA conducted an inspection regarding compliance with terms of the NFR letter. No violations were noted during the inspection. No further information was present in IEPA files regarding IEMA #992614 or #20002011.

According to IEPA files for IEMA #20150692, in May 2015, two gasoline USTs were removed (see Attachment 14 for the locations of the former USTs). Under the direction of Integrity Environmental Services, Inc. (IES), soil samples were collected from the base and walls of the UST excavation and analyzed for BTEX and MTBE. Benzene was detected above TACO Tier 1 residential SROs for migration to Class I and Class II groundwater. Based on these results, a release was reported, and IEMA #20150692 was issued. During removal activities, groundwater was encountered and removed from the UST excavation. Depth to groundwater or excavation depths were not discussed in IEPA files. IES indicated that based on their investigations, they were unable to conclude whether the exceedances identified in the soil excavation were a result of the UST system removed in 2015, or residual impacts related to the previous LUST incidents. IEPA correspondence, dated from February 2016, indicated that since soil impact was identified at lower or equivalent levels from the previous incidents, IEPA considered IEMA #20150692 to be a re-reporting of IEMA #20002011. No further information was present in IEPA files regarding IEMA #20150692 or IEPA #0311985114.

Historic gas stations commonly conducted auto repairs on the premises. Potential hazards associated with vehicle repair facilities include waste oil, lubricants, and transmission fluids; spent solvents; waste paints and thinners; sludge from parts-cleaning tanks; oily sludge from floor sumps; used antifreeze; used lead-acid batteries; and undocumented UST(s).

No visual evidence of stressed vegetation, pits or depressions, mounding or soil piles, lagoons or surface impoundments, stained soil or pavement, water discoloration, fill, storage tanks (above or underground), pumps or dispensers, protruding pipes, pipelines, drums, chemical containers, monitoring wells, solid waste, non-petroleum chemical use or storage, or unusual or noxious odors was observed at this site during a site inspection by ISGS on May 3, 2018.

The following data gap was identified at this site:

- The status and locations of any undocumented UST(s) at this site are unknown.

The building on this site may contain friable asbestos-containing materials as a component of floor tiles, wall and pipe insulation, roof materials, patching or painting compounds, ceiling materials, or stove and furnace insulation. Lead paint was banned for residential use in the United States in 1978 but has not been banned for industrial and commercial use. Therefore lead paint may be present in this building.

The following RECs were identified at this site: Former UST(s) with documented releases; potential UST(s); former UST(s) with documented releases; evidence of former chemical use; former monitoring wells; impacted soil and groundwater; HAA.

The following de minimis conditions were identified at this site: Transformers; potential ACM and lead paint



August 13, 2021

Preliminary Site Investigation – CCDD Narrative

Rand Road, Central Road, and Mt. Prospect Road Improvements Project

Mt. Prospect, Cook County

81.0220055.24

Page | 11

Commercial building (Site ID 3510-19)

This site is occupied by a multi-unit commercial building. Occupants included businesses typical of retail plazas (see address table for listings). No potential hazards were identified in association with any of the current occupants. Site features included the building in the west with a parking lot to its east. One pad-mounted transformer was observed near the southwest corner of the building, several small pole-mounted transformers were observed along the south-central edge of the site, and one pole-mounted transformer was observed south of the parking lot. MW-19 and MW-20 on Attachment 16 were not present. This site did not appear on any of the regulatory lists checked for this project.

On the 1861 through 1904 plat maps, the site was under individual ownership, with no buildings shown. On the 1939 through 1954 plat maps, no ownership was depicted. On the 1979 plat map, the site was shown as incorporated within the village of Mount Prospect. On the 1938 and 1951 aerial photographs, the site was under agricultural use. On the 1960 through 1980 aerial photos, the site was occupied by vacant land with a grassy appearance. On the 1988 through 2017 aerial photos, the current commercial building was visible. In the 1969 through 1987 city directories, no listings were found. In the 1991 directory, a restaurant was listed. In the 1995 through 2004 directories, a video rental store was listed. In the 2007 directory, no listings were found. In the 2010 through 2016 directories, various service providers and retailers were listed, some of which are the current occupants. No potential hazards were identified in association with any of the former occupants.

Information in IEPA files for Site 3510-23 (IEPA #0311985070) pertained to this site. During LUST investigations conducted for that site, in June 1994, two soil borings were completed and two monitoring wells (MW-19 and MW-20) were installed at this site (see Attachment 16 for the location of these wells). These monitoring wells were not present during fieldwork for this project. In June 1994, two samples were collected from each boring prior to monitoring well installation and analyzed for BTEX. No BTEX compounds were detected above TACO Tier 1 residential SROs. During the most recent round of groundwater sampling, in July 2004, groundwater samples were collected from MW-19 and MW-20 and analyzed for BTEX. No BTEX compounds were detected above the Class I GROs. HAA #645A was executed with IDOT for the Rand Road ROW (see Attachment 19, page 8, for the area for this HAA). The agreement area for this HAA adjoins this site. See Site 3510-23 for further details.

No visual evidence of stressed vegetation, pits or depressions, mounding or soil piles, lagoons or surface impoundments, stained soil or pavement, water discoloration, fill, storage tanks (above or underground), pumps or dispensers, protruding pipes, pipelines, drums, chemical containers, monitoring wells, solid waste, non-petroleum chemical use or storage, or unusual or noxious odors was observed at this site during a site inspection by ISGS on May 3, 2018.

No data gaps were identified at this site.

The building on this site may contain friable asbestos-containing materials as a component of floor tiles, wall and pipe insulation, roof materials, patching or painting compounds, ceiling materials, or stove and furnace insulation. Lead paint was banned for residential use in the United States in 1978 but has not been banned for industrial and commercial use. Therefore lead paint may be present in this building.

The following RECs were identified at this site: Former monitoring wells; HAA.

The following de minimis conditions were identified at this site: Transformers; potential ACM and lead paint.



August 13, 2021

Preliminary Site Investigation – CCDD Narrative

Rand Road, Central Road, and Mt. Prospect Road Improvements Project

Mt. Prospect, Cook County

81.0220055.24

Page | 12

Walgreens (Site ID 3510-22)

This site is occupied by a general store and pharmacy. Site features included the building in the south part, a parking lot surrounding the building, and vacant land with a grassy appearance and some trees in the northwest part. MW-7 on Attachment 11 and MW-21 depicted at this site on Attachment 16 were not present during fieldwork for this project. A pad-mounted transformer was observed near the west corner of the building. This site did not appear on any of the regulatory lists checked for this project.

On the 1861 through 1904 plat maps, the site was under individual ownership, with no buildings shown. On the 1939 through 1954 plat maps, no ownership was depicted. On the 1979 plat map, the site was shown as incorporated within the city of Des Plaines. On the 1938 through 1960 aerial photographs, a farmstead was shown at this site. On the 1961 and 1962 aerial photos, the farmstead had been removed and the site was occupied by vacant land with a grassy appearance. On the 1974 through 1998 city directories, a different commercial building was shown. On the 2002 through 2017 aerial photos, the commercial building had been removed, and replaced by the current building. Based on Des Plaines addressing conventions, an alternate address for this site includes 55 Rand Road. In the 1969 through 1981 city directories, a restaurant was listed at 55 Rand Road. In the 1984 through 1995 directories, no listings were found. In the 1998 directory, a credit union was listed. In the 2001 and 2004 directories, no listings were found. In the 2007 through 2016 directories, the current occupant was listed at the current address.

Information in IEPA files for Site 3510-18 (IEPA #0311985114) pertained to this site. During LUST investigations conducted for that site, in August 2001, one soil boring was completed and one monitoring well (MW-7) was installed at this site (see Attachment 11 for the location of MW-7). This monitoring well was not present during fieldwork for this project. In August 2001, a soil sample was collected and analyzed for BTEX. No BTEX was detected above TACO Tier 1 residential SROs. During the most recent round of groundwater sampling, in April 2002, one groundwater sample was collected from MW-7 and analyzed for BTEX. No BTEX compounds were detected above the Class I GROs. HAA #597 was executed with IDOT for the Rand Road ROW (see Attachment 13, page 8, for the area for this HAA). The agreement area for this HAA adjoins this site. See Site 3510-18 for further details.

Information in IEPA files for Site 3510-23 (IEPA #0311985070) pertained to this site. During LUST investigations conducted for that site, in June 1994, one soil boring was completed and one monitoring well (MW-21) was installed at this site (see Attachment 16 for the location of this well). This monitoring well was not present during fieldwork for this project. In June 1994, a soil sample was collected and analyzed for BTEX. No BTEX compounds were detected above TACO Tier 1 residential SROs. During the most recent round of groundwater sampling, in July 2004, one groundwater sample was collected from MW-21 and analyzed for BTEX. No BTEX compounds were detected above the Class I GROs. HAA #645A was executed with IDOT for the Rand Road ROW (Attachment 19, page 8, for the area for these HAAs). The agreement area for this HAA adjoins this site. See Site 3510-23 for further details.

No visual evidence of stressed vegetation, pits or depressions, mounding or soil piles, lagoons or surface impoundments, stained soil or pavement, water discoloration, fill, storage tanks (above or underground), pumps or dispensers, protruding pipes, pipelines, drums, chemical containers, monitoring wells, solid waste, non-petroleum chemical use or storage, or unusual or noxious odors was observed at this site during a site inspection by ISGS on May 3, 2018.

No data gaps were identified at this site.

The building on this site may contain friable asbestos-containing materials as a component of floor tiles, wall and pipe insulation, roof materials, patching or painting compounds, ceiling materials, or stove and furnace insulation. Lead paint



August 13, 2021

Preliminary Site Investigation – CCDD Narrative

Rand Road, Central Road, and Mt. Prospect Road Improvements Project

Mt. Prospect, Cook County

81.0220055.24

Page | 13

was banned for residential use in the United States in 1978 but has not been banned for industrial and commercial use. Therefore lead paint may be present in this building.

The following RECs were identified at this site: Former monitoring wells; HAA.

The following de minimis conditions were identified at this site: Transformer; potential ACM and lead paint.

Marathon Gas Station (Site ID 23)

This site is occupied by a gas station. Site features included a station building near the southeast edge of the site with a canopy to its northwest. Eight dispensers were observed beneath the canopy. Three USTs were observed in a pit in the central part of the site. The center of the pit was approximately 25 m (90 ft) south of the E. Central Road centerline and 55 m (190 ft) east of the E. Rand Road centerline. Three vent pipes were observed south of the UST pit. Two monitoring wells were observed, one along the southeast edge of the UST pit, and one west of the station building entrance. These monitoring wells were not depicted on any maps in regulatory files. None of the monitoring wells depicted on Attachment 16 were present during fieldwork for this project. During fieldwork for ISGS #2971 in September 2014, one monitoring well was observed near the northwest corner of the UST pit. This monitoring well was not present during fieldwork for this project.

On the 1938 and 1950 aerial photographs, this site was under agricultural use. On the 1960 through 1974 aerial photos, a different gas station was visible, with a station building along the east side of the site and a wing canopy west of the building. On the 1980 through 2017 aerial photographs, the current gas station was visible. In the 1969 through 1978 city directories, no listings were found. In the 1981 and 1984 directories, a gas station was listed under E. Central Road without an address number. In the 1987 through 1998 directories, the same gas station was listed at this address. In the 2001 directory, no listings were found. In the 2004 directory, a gas station was listed. In the 2007 through 2016 directories, the current occupant was listed.

Under the name "Former Emro Marketing 7133" and the address "1201 E Central Ave", this site appears on the inactive RCRA list (USEPA #ILD984783118). Under the name "Speedway-formerly" and the address "1201 E Central Ave", this site appears on the BOL list (IEPA #0311985070). Under the name "Emro Marketing" and the address "1201 East Central Ave.", this site appears on the LUST list (IEMA #901129). Under the name "Emro Marketing" and the address "1201 East Central Ave.", this site appears for a second time on the LUST list (IEMA #901663). Under the name "Lovely Gas, Inc." and the address "1201 E. Central Rd.", this site appears on the UST list (OSFM #2014531) with eight registered USTs. According to OSFM records, one 45,425-liter (12,000-gallon) gasoline UST, one 30,280-liter (8,000-gallon) gasoline UST, and one 15,140-liter (4,000-gallon) diesel UST are listed as currently in use (see above for the location of these USTs). In October 1993, four gasoline USTs and one diesel UST were listed as removed from this site (see IEMA #901129 and #901663 below for the locations of the former USTs).

According to IEPA files, in February 1990, Emro Marking registered with USEPA and IEPA as a generator of an unspecified quantity of ignitable waste. No further information was present in IEPA files regarding the generator status of the site.

According to IEPA files, in April 1990, IEMA #901129 was issued after evidence of hydrocarbons were found in an observation well near the UST system. This well was not depicted on any of the monitoring well maps in IEPA files. In July 1990, IEMA #901663 was issued after a State Fire Marshal inspected the site and observed gasoline around the fill pipes of the USTs. These two incidents were subsequently addressed together. Under the direction of Midwest Engineering Services, Inc. (MES) in October 1993, four gasoline USTs and one diesel UST were removed from this site (see Attachment



August 13, 2021

Preliminary Site Investigation – CCDD Narrative

Rand Road, Central Road, and Mt. Prospect Road Improvements Project

Mt. Prospect, Cook County

81.0220055.24

Page | 14

15 for the locations of the former USTs). Remedial activities included the excavation and removal of impacted soil. No groundwater was encountered during removal or excavation activities.

Under the direction of various site consultants, including Groundwater Technology, Inc., Arcadis, and Practical Environmental Consultants, Inc. (PEC), numerous soil and groundwater investigations occurred at this site between 1990 and 2004. These investigations included the completion of multiple on-site soil samples, four off-site soil samples (two on Site 3510-18, one on Site 3510-22, and one on Site 3510-24), the installation of eighteen on-site monitoring wells, four off-site wells (MW-19 and MW-20 on Site 3510-18, MW-21 on Site 3510-22, and MW-22 on Site 3510-24), and one dual-phase vapor extraction (DPVE) well. See Attachment 16 for the locations of the monitoring wells and extraction well. None of the monitoring wells on Attachment 16 were present during fieldwork for this project. Between September 1990 and June 1991, free product was removed from on-site wells on a weekly basis. In 1995, a dual-phase vapor extraction (DPVE) pilot test was conducted at DPVE-1; however, an active remediation system associated with the extraction well was never installed, and this well was subsequently used for groundwater monitoring.

During the most recent round of on-site soil sampling, in April 1992, soil samples were collected and analyzed for BTEX. BTEX compounds were detected in multiple samples above TACO Tier 1 residential SROs. During the most recent round of off-site soil sampling in July 1994, soil samples were collected and analyzed for BTEX. No BTEX compounds were detected in any of the off-site samples. See Attachment 17 for the estimated extent of impacted soil. During the most recent round of on-site and off-site groundwater sampling in July 2004, groundwater samples were collected and analyzed for BTEX. Benzene was detected in several on-site wells above the Class I GROs. No BTEX compounds were detected in groundwater at any off-site wells. See Attachment 18 for the estimated extent of impacted soil. Depth to groundwater was measured between 0.6 to 3 m (2 to 11 ft). Due to the presence of discontinuous sand lenses and perched groundwater in surficial soils, a reliable groundwater flow direction could not be determined during the most recent groundwater sampling event. In a groundwater investigation from 1993, the groundwater flow direction was toward the northwest.

Arcadis conducted Tier 2 modeling, which predicted that impacted groundwater would migrate off-site into the Central Road and Rand Road ROWs. See Attachment 18 for the estimated extent of impacted groundwater. No maps depicting the results of the modeling were present in IEPA files. Arcadis and PEC proposed to manage the remaining impacts with the use of AULs and an HAA. HAA #645 was executed with IDOT on December 9, 2003; it was replaced by HAA #645A on May 8, 2005. See Attachment 19, page 8, for the area covered by HAA #645A. The agreement area for this HAA adjoins Sites 3510-19, 3510-22, and 3510-24. Based on this information, IEPA issued an NFR letter for IEMA #901129 and 901663, on November 2, 2005, with the following AULs: groundwater use restriction and maintenance of HAA #645A with IDOT (Attachment 19). No further information was present in IEPA files for IEPA #0311985070.

Historic gas stations commonly conducted auto repairs on the premises. Potential hazards associated with vehicle repair facilities include waste oil, lubricants, and transmission fluids; spent solvents; waste paints and thinners; sludge from parts-cleaning tanks; oily sludge from floor sumps; used antifreeze; used lead-acid batteries; and undocumented UST(s).

No visual evidence of stressed vegetation, pits or depressions, mounding or soil piles, lagoons or surface impoundments, stained soil or pavement, water discoloration, fill, pipelines, drums, chemical containers, solid waste, transformers, non-petroleum chemical use or storage, or unusual or noxious odors was observed at this site during a site inspection by ISGS on May 4, 2018.

The following data gap was identified at this site:

- The status and locations of any undocumented UST(s) at this site are unknown.



August 13, 2021

Preliminary Site Investigation – CCDD Narrative

Rand Road, Central Road, and Mt. Prospect Road Improvements Project

Mt. Prospect, Cook County

81.0220055.24

Page | 15

The building on this site may contain friable asbestos-containing materials as a component of floor tiles, wall and pipe insulation, roof materials, patching or painting compounds, ceiling materials, or stove and furnace insulation. Lead paint was banned for residential use in the United States in 1978 but has not been banned for industrial and commercial use. Therefore lead paint may be present in this building.

The following RECs were identified at this site: USTs; former USTs with a documented release; potential UST(s); monitoring wells; former monitoring wells; evidence of chemical use; impacted soil and groundwater; HAA.

The following de minimis conditions were identified at this site: Potential ACM and lead paint.

Advocate Outpatient Center (Site ID 3510-24)

This site is occupied by a medical center. Site features included a building containing medical offices in the central part with parking lots and landscaped areas northeast and west of building. An asphalt-covered lot was observed at the far southeast corner of the site. This lot appeared to have most recently been used as a car dealership lot. A pond surrounded by a pedestrian path was located northwest of the building. One monitoring well (MW-22 on Attachment 16) was observed near the north side of the site. None of the monitoring wells depicted on Attachments 21 and 24 were present during fieldwork for this project. Three pole-mounted transformers were observed along the northeast edge of the site. One pad-mounted transformer was observed near the southwest edge of the building. A natural-gas powered back-up generator was observed southeast of the transformer.

On the 1861 through 1904 plat maps, the site was under individual ownership, with no buildings shown. On the 1939 through 1954 plat maps, no ownership was depicted. On the 1979 plat map, the site was shown as incorporated within the city of Des Plaines. On the 1938 and 1961 aerial photographs, this site was under agricultural use. On the 1960 through 1962 aerial photos, the site was occupied by vacant land with a grassy appearance. On the 1974 through 2002 aerial photos, four commercial buildings were shown, three in the northwest part, and one near the southeast corner, and car lots were visible surrounding the buildings. On the 2005 through 2016 aerial photos, the building in the southeast corner had been removed and replaced by a parking lot. On the 2017 aerial photo, all of the buildings had been removed, the current building was shown in the central part surrounded by landscaped vacant land, and a car lot was still shown near the southeast corner of the site. In the 1969 through 2013 city directories, various car dealerships and automotive repair shops were listed. In the 2016 city directory, no listings were found.

During fieldwork for ISGS #2971 in September 2014, the site was occupied by three vacant commercial buildings and a large, paved lot, which had appeared to have most recently contained an auto sales and repair business.

Under the name “Advantage Chrysler Jeep Dodge Inc” and the address “77 Rand Rd”, this site appears on the active RCRA list (USEPA #ILD981787153). Under the name “Napletons Chrysler Jeep” and the address “77 W Rand Rd”, this site appears on the BOL list (IEPA #0310635086). This site has three listings on the LUST list, one under the name “Z Frank Olds” and the address “77 West Rand Rd.” (IEMA #902711), one under the name “Z Frank Olds Volkswagon Mazda” and the address “77 West Rand Rd.” (IEMA #950482), and one under the name “Z-Frank Oldsmobile Inc.” and the address “77 West Rand Rd.” (IEMA #962084). Under the name “Z Frank Oldsmobile” and the address “77 Rand Road”, this site appears on the UST list (OSFM #2000168) with seven registered USTs. According to OSFM records, in September 1991, one gasoline UST and one diesel UST were listed as removed (see IEMA #902711 below for the locations of these USTs). In August 1995, one gasoline UST was listed as removed (see IEMA #950482 below for the location of this UST). In October 1996, two used-oil USTs, one new oil UST, and one transmission oil UST were listed as removed (see IEMA #962084 below for the location of these USTs).



August 13, 2021

Preliminary Site Investigation – CCDD Narrative

Rand Road, Central Road, and Mt. Prospect Road Improvements Project

Mt. Prospect, Cook County

81.0220055.24

Page | 16

According to IEPA files, in September 1986, Z Frank Oldsmobile registered with USEPA and IEPA as a generator of less than 1,000 kg/mo (2,200 lb/mo) of ignitable waste, toxic waste, and spent halogenated solvents. In March 1997, the Haeger Auto Group registered with USEPA and IEPA as a generator of an unspecified quantity of ignitable and toxic wastes. In May 2002, Mancari of Des Plaines registered with USEPA and IEPA a generator of 100 to 1,000 kg/mo (220 to 2,200 lb/mo) of ignitable waste. No further information was present in IEPA files regarding the generator status of this site.

According to IEPA files for IEMA #902711, one diesel UST and one gasoline UST were removed from the site in September 1990 (see Attachment 20 for the locations of the former USTs). Evidence of a release was observed during the removal activities, and IEMA #902711 was issued. Under the direction of World Water Consultants, soil samples were collected from the base and sidewalls of the excavation and analyzed for BTEX. Benzene was detected in two samples above cleanup objectives in effect at that time. Impacted soil was excavated and disposed of off-site. Groundwater was not encountered during these activities. All additional investigations for this LUST incident were conducted under IEMA #950482 (see below).

According to IEPA files for IEMA #950482, a gasoline UST was inspected at this site in March 1995. Evidence of a release was observed during the inspection, and IEMA #950482 was issued. The UST was removed from the site in August 1995 (see Attachment 21 for the location of the former UST). Impacted soil and free product were removed from the UST excavation and disposed of offsite. Groundwater was encountered during these activities. Depth to groundwater was not discussed in IEPA files.

Under the direction of QST Environmental (formerly Environmental Science & Engineering, Inc.), numerous rounds of soil and groundwater sampling took place between August 1995 and September 1998. These investigations included the completion of numerous soil borings and the installation of six on-site monitoring wells (see Attachment 21 for the locations of the monitoring wells). None of the monitoring wells depicted on Attachment 21 were present during fieldwork for this project. During the most recent round of soil sampling in September 1998, samples were collected and analyzed for BTEX and PNAs. Benzene and PNAs were detected above TACO Tier 1 residential SROs for migration to Class I groundwater. During the most recent round of groundwater sampling in September 1998, no BTEX or PNAs were detected above Class I GROs. Depth to groundwater ranged from 1.2 to 1.5 m (4.0 to 5.1 ft), and the groundwater flow direction was estimated to be toward the south.

Impacted soil was removed, and groundwater at the site was classified as Class II groundwater. No post-excavation sampling was conducted. IEPA issued an NFR letter for IEMA #902711 and #950482 on July 15, 1999, with no AULs (Attachment 22). No further information was present in IEPA files regarding IEMA #902711 and #950482.

According to IEPA files for IEMA #962084, October 1996, two used-oil USTs, one motor oil UST, and one transmission-oil UST were removed from two separate pits (see Attachment 23 for the excavation areas). Although Attachment 23 does not depict the individual USTs, the consultant indicated that excavation #1 contained one of the waste-oil USTs and excavation #2 contained the other waste-oil UST, the motor oil UST, and the transmission-oil UST. Evidence of a release was observed during the removal activities, and IEMA #962084 was issued. Under the direction of QST Environmental, between October 1996 and June 1997, several rounds of soil sampling and one groundwater investigation were conducted. These investigations included the completion of numerous soil borings and the installation of one monitoring well (see Attachment 24 for the location of the monitoring well). The monitoring well depicted on Attachment 24 was not present during fieldwork for this project.

During the most recent round of soil sampling in June 1997, samples were analyzed for priority pollutants. Lead was detected above the TACO Tier 1 residential SRO but was below the concentrations in background soils for metropolitan



August 13, 2021

Preliminary Site Investigation – CCDD Narrative

Rand Road, Central Road, and Mt. Prospect Road Improvements Project

Mt. Prospect, Cook County

81.0220055.24

Page | 17

statistical areas. In January 1997, MW-1 was installed to conduct a hydraulic conductivity investigation. Depth to groundwater was measured at 2.2 m (7.3 ft). Since only one monitoring well was installed, groundwater flow direction was not determined. Groundwater at the site was classified as Class II groundwater. Based on this information, IEPA issued an NFR letter for IEMA #962084 on September 26, 1997, with no AULs (Attachment 25). No further information was present in IEPA files regarding IEMA #962084 or IEPA #0310635086.

Information in IEPA files for Site 3510-23 (IEPA #0311985070) pertained to this site. During LUST investigations conducted for that site, in June 1994, one soil boring was completed and one monitoring well (MW-22) was installed at this site (see Attachment 16 for the location of this well). This monitoring well was present during fieldwork for this project. In June 1994, one soil sample was collected from MW-22 prior to monitoring well installation and analyzed for BTEX. No BTEX compounds were detected above TACO Tier 1 residential SROs. During the most recent round of groundwater sampling, in July 2004, one groundwater sample was collected from MW-22 and analyzed for BTEX. No BTEX compounds were detected above Class I GROs. HAA #645A was executed with IDOT for the Rand Road ROW (Attachment 19, page 8, for the area of this HAA). The agreement area for this HAA adjoins this site. See Site 3510-23 for further details.

Potential hazards associated with vehicle repair facilities include waste oil, lubricants, and transmission fluids; spent solvents; waste paints and thinners; sludge from parts-cleaning tanks; oily sludge from floor sumps; used antifreeze; used lead-acid batteries; and undocumented UST(s).

No visual evidence of stressed vegetation, pits or depressions, mounding or soil piles, stained soil or pavement, water discoloration, fill, storage tanks (above or underground), pumps or dispensers, protruding pipes, pipelines, drums, chemical containers, solid waste, non-petroleum chemical use or storage, or unusual or noxious odors was observed at this site during a site inspection by ISGS on May 3, 2018.

The following data gap was identified at this site:

- The status and locations of any undocumented UST(s) at this site are unknown.

The building on this site may contain friable asbestos-containing materials as a component of floor tiles, wall and pipe insulation, roof materials, patching or painting compounds, ceiling materials, or stove and furnace insulation. Lead paint was banned for residential use in the United States in 1978 but has not been banned for industrial and commercial use. Therefore lead paint may be present in this building.

The following RECs were identified at this site: Former UST(s) with documented releases; potential UST(s); monitoring well; former monitoring wells; evidence of former chemical use; impacted soil and groundwater; HAA.

The following de minimis conditions were identified at this site: Transformers; potential ACM and lead paint.

Analytical Summary

In order to assess impacts to Project Area soils from the identified PIPs, and to assess CCDD suitability of soils for pH thirteen (13) soil borings were advanced within the Project Area to max depths of ten feet bgs. Soils were screened continuously using a PID meter and representative soil samples were collected. The PID readings are summarized in the following table.



Preliminary Site Investigation – CCDD Narrative

Rand Road, Central Road, and Mt. Prospect Road Improvements Project

Mt. Prospect, Cook County

81.0220055.24

PID Screening Summary

Soil Boring	Depth, ft	PID Reading, ppm	Soil Boring	Depth, ft	PID Reading, ppm
SB-01	0-4'	0.1	SB-09	0-4'	0.0
	4-8'	0.0		4-8'	0.0
	0-4'	0.0		8-12'	0.4
SB-02	4-8'	0.2	SB-10	0-4'	0.2
	8-12'	0.0		4-8'	0.1
SB-03	0-4'	0.0		8-12'	0.0
	4-8'	0.0	SB-11	0-4'	0.0
	8-12'	0.0		4-8'	0.0
SB-04	0-4'	0.0		8-12'	0.0
	4-8'	0.0	SB-12	0-4'	0.3
SB-05	0-4'	0.1		4-8'	0.0
	4-8'	0.0	8-12'	0.0	
	8-12'	0.0	0-4'	0.0	
SB-06	0-4'	0.0	SB-13	4-8'	0.0
	4-8'	0.0		8-12'	0.0
	8-12'	0.0	0-4'	0.1	
SB-07	0-4'	0.0	SB-14	4-8'	0.0
	4-8'	0.0		8-12'	0.1
	8-12'	0.2			

Bold Indicates Submitted for analysis

VOCs

Six soil samples were analyzed for VOCs. Table 3-3 presents the soil VOC results compared to the MACs for assessment of disposal options.

Seven (7) samples [SB-2 (4-8'), SB-5 (0-4'), SB-7 (8-12'), SB-9 (8-12'), SB-10 (0-4'), SB-12 (0-4'), and SB-14 (0-4')] were submitted for VOC analysis.

Carbon disulfide (0.0068 mg/kg) was detected in sample SB-10 (0-4') below the MAC value (9 mg/kg).

The VOC results are below detection limits for the samples analyzed, achieving the MACs.



PNAs

Thirteen (13) soil samples were analyzed for PNAs. Tables 3-5 presents the soil sample PNA analytical results compared to the MACs.

Thirteen samples [SB-1 (0-4'), SB-2 (4-8'), SB-3 (8-12'), SB-4 (4-8'), SB-5 (0-4'), SB-6 (0-4'), SB-7 (8-12'), SB-9 (8-12'), SB-10 (0-4'), SB-11 (4-8'), SB-12 (0-4'), SB-13 (4-8'), and SB-14 (0-4')] were analyzed for PNAs.

Benzo(a)pyrene was detected in samples SB-6 (0-4'), SB-10 (0-4'), and SB-12 (0-4') at concentrations (0.805 mg/kg, 0.547 mg/kg, and 0.558 mg/kg, respectively) that exceeded the MAC value for disposal outside of a populated area (0.09 mg/kg).

Benzo(b)fluoranthene was detected in samples SB-6 (0-4') at a concentration (1.13 mg/kg,) that exceeded the MAC value for disposal outside of a populated area and within a populated area in a non-MSA county (0.9mg/kg).

Dibenzo(a,h)anthracene was detected in samples SB-6 (0-4') at a concentration (0.13 mg/kg,) that exceeded the MAC value for disposal outside of a populated area (0.09mg/kg). Several PNAs were detected in SB-1 (0-4'), SB-5 (0-4'), SB-6 (0-4'), SB-10 (0-4'), and SB-12 (0-4') below their respective MAC values.

The remaining samples had PNA concentrations below the detection limits, achieving the MACs for CCDD disposal.

Total RCRA Metals

Thirteen soil samples were analyzed for total RCRA metals (excluding total chromium) and TCLP chromium. Table 3-6 presents the soil sample total RCRA metal analytical results compared to each of the Tier 1 ROs. Table 3-8 compares the TCLP chromium and iron results to the MACs.

The following samples had detectable concentrations of one or more total RCRA metals: SB-1 (0-4'), SB-2 (4-8'), SB-3 (8-12'), SB-4 (4-8'), SB-5 (0-4'), SB-6 (0-4'), SB-7 (8-12'), SB-9 (8-12'), SB-10 (0-4'), SB-11 (4-8'), SB-12 (0-4'), SB-13 (4-8'), and SB-14 (0-4').

Soil sample SB-10 (0-4') contained total lead (108 mg/kg) at concentration that exceeded the default MAC value (107 mg/kg) for disposal. Sample SB-10 (0-4') was subsequently analyzed for TCLP lead with a concentration (0.00821 mg/L) above the MAC value (0.0075 mg/L). Sample SB-10 (4-8') was subsequently analyzed for total lead. Results were below the MAC value.

Soil sample SB-9 (8-12') contained total arsenic (13.0 mg/kg) at concentration that exceeded the MAC value (11.3 mg/kg) for disposal in a non-MSA county but did not exceed the MAC value for disposal in an MSA county (13.0 mg/kg). This will preclude soil from the vicinity as being eligible for disposal in a non-MSA county.

One sample, SB-5 (0-4'), contained a total mercury concentration (0.375 mg/kg) that exceeded the MAC value for elemental mercury (0.1 mg/kg) and the construction worker inhalation objective (0.1 mg/kg) but achieved the MAC value for ionic mercury (0.89 mg/kg). The construction worker inhalation RO for mercury is based on elemental mercury, and mercury detected in this location is considered to be attributed to inorganic mercury salt compounds in the soil. The remaining RCRA metals detections achieved the MACs for CCDD disposal.

Soil pH

Fifteen (15) samples were submitted for soil pH analysis and are considered representative of the Project Corridor. Sample SB-5



August 13, 2021

Preliminary Site Investigation – CCDD Narrative

Rand Road, Central Road, and Mt. Prospect Road Improvements Project

Mt. Prospect, Cook County

81.0220055.24

Page | 20

(0-4') had a pH level that exceeded the range for CCDD disposal. The remaining pH results ranged from 7.56 to 8.77, within the acceptable 6.25 to 9.00 range. Therefore, with the exception of soils in the vicinity of SB-5 (0-4), soils from this Project Corridor are considered to achieve the CCDD soil pH criteria.

CCDD Assessment

Based on exceedances of the MAC values, exclusion zones have been established relative to the locations of SB-05, SB-09, SB-10, and SB-13. The CCDD exclusion zones within the Project Area are depicted on Figure 4-1. The soil generated from these borings are **NOT** certified for CCDD disposal but must be managed as a non-special waste with final disposition at a Subtitle D Sanitary Landfill. Should soils be encountered within the areas identified as CCDD acceptable that are not representative of the soils encountered during the PSI boring activities (odors, staining, or debris), those soils would need to be reassessed prior to disposal at a "clean fill" facility.

- *Soils within the areas characterized by SB-10 (0-4') are considered to be (a)(1) soils per Article 669.05 of IDOT Construction Manual, and Disturbed soil must be managed and disposed of at a properly permitted landfill as non-special waste.*
- *Soils within the areas characterized by SB-9 and SB-13 are considered to be (a)(5) soils per Article 669.05 of IDOT Construction Manual, and Disturbed soil must be managed and disposed of at a properly permitted landfill as non-special waste.*
- *Soils within the area characterized by SB-05 (0-4') are considered to be (b)(1) soils per Article 669.05 of IDOT Construction Manual, which may be managed for reused on-site or disposed of off-site as "uncontaminated soil" according to Article 202.03. However, b(1) soils cannot be taken to a CCDD facility or an uncontaminated soil fill operation. Should soils be encountered within the areas identified as CCDD acceptable that are not representative of the soils encountered during the PSI boring activities (odors, staining, or debris), those soils would need to be reassessed prior to disposal at a "clean fill" facility.*

CCDD Exclusion Areas:

- **SB-10 (0-4 feet bgs):** SB-10 (0-4') exceeded the MAC for lead. The area is defined as from the midpoint between SB-9 and SB-10, located approximately 360 feet east of the centerline of Rand Road, and extends approximately 450 feet east to the eastern extent of the Project Corridor and is inclusive of the SB-11 location. The exclusion zone extends from the southern end of the Project Corridor along Central Road and extends north to the centerline of Central Road. *These soils are considered to be 669.05 (a)(1) soils.*
- **SB-9 and SB-13 (0-12 feet bgs):** A Highway Authority Agreement was identified along Central Road in the vicinity of soil borings SB-9 and SB-13. The area is defined as along Central Road from approximately 225 feet east of the IDOT ROW along Rand Road extending approximately 200 feet east to approximately 95 feet west of the centerline of Mt. Prospect Plaza. The exclusion zone extends from the southern end of the Project Corridor to the northern end of the Project Corridor along Central Road. *These soils are considered to be 669.05 (a)(5) soils.*
- **SB-5 (0-4 feet bgs):** SB-5 (0-4') exceed the MAC for pH. The area is defined as from the midpoint between SB-4 and SB-5, located approximately 380 feet north of the centerline of Busse Avenue and extends approximately 250 feet north to the midpoint between SB-5 and SB-6, located approximately 45 feet south of the centerline of Central



August 13, 2021

Preliminary Site Investigation – CCDD Narrative

Rand Road, Central Road, and Mt. Prospect Road Improvements Project

Mt. Prospect, Cook County

81.0220055.24

Page | 21

Road. The exclusion zone extends from the western extent of the Project Corridor along Mt. Prospect Road and extends east to the centerline of Mt. Prospect Road. *These soils are considered to be 669.05 (b)(1) soils.*

Should soils be encountered within the areas identified as CCDD acceptable that are not representative of the soils encountered during the PSI boring activities (odors, staining, or debris), those soils would need to be reassessed prior to disposal at a “clean fill” facility.

Soils from the remainder of the Project Corridor may be reused onsite or disposed of at a CCDD facility in an MSA County. As PIPs were identified along the Project Corridor, the CCDD regulations require completion of Uncontaminated Soil Certification by Licensed Professional Engineer or Geologist (LPC-663) prior to placement of soils at either a CCDD or soil-only facility.

WATERSHED MANAGEMENT PERMIT
METROPOLITAN WATER RECLAMATION DISTRICT
OF GREATER CHICAGO
111 EAST ERIE, CHICAGO, ILLINOIS, 60611

Watershed Management Permit No.

21-242

www.mwrdd.org

INSTRUCTIONS FOR COMPLETING PERMIT FORM: Submit two original signed copies of this permit application (nine pages) and any required WMO schedules listed below; do not leave any blank spaces; use "X" for checking applicable information. Also submit two copies of location map and plans. Address all correspondence to the Local Sewer Systems Section; for any inquiries or assistance, telephone (312) 751-3255.

NAME AND LOCATION:

Name of Project (as shown on plans): Rand Road, Central Road, and Mount Prospect Road Improvements

Location of Project (street address or with respect to two major streets): _____

Intersection of Rand Road, Central Road, and Mount Prospect Road

Municipality (Township, if unincorporated) Village of Mount Prospect

Section ³⁵ _____, Township ⁴² _____ N, Range ¹¹ _____ E

PIN (include all PINs for project, use additional sheets if more than two): No P.I.N.s Since In ; Public Right-of-Way

Check type of sewer area for project: Combined Sewer Area Separate Sewer Area

- | | | |
|--|----------------------------------|---------------|
| <input checked="" type="checkbox"/> Project Information (Required in all cases) | WMO Schedule A | (Page 5 of 9) |
| <input checked="" type="checkbox"/> Sewer Summary (Required in all cases) | WMO Schedule B | (Page 6 of 9) |
| <input checked="" type="checkbox"/> Sewer Connections (Required in all cases) | WMO Schedule C | (Page 7 of 9) |
| <input type="checkbox"/> Detention & Stormwater Management Facilities (WMO) | WMO Schedule D | (3 Pages) |
| <input type="checkbox"/> Detention & Stormwater Management Facilities (Legacy) | WMO Schedule D _{Legacy} | (4 Pages) |
| <input type="checkbox"/> Lift Station and/or Force Main | WMO Schedule E | (2 Pages) |
| <input type="checkbox"/> Characteristics of Waste Discharge | WMO Schedule F | (2 Pages) |
| <input type="checkbox"/> Treatment or Pretreatment Facilities | WMO Schedule G | (2 Pages) |
| <input type="checkbox"/> Hazard Areas (Floodplain / Floodway /Riparian Areas) | WMO Schedule H | (2 Pages) |
| <input type="checkbox"/> Affidavit Relative to Compliance with Article 7 | WMO Schedule J | (1 Page) |
| <input type="checkbox"/> Affidavit of Disclosure of Property Interest | WMO Schedule K | (2 Pages) |
| <input type="checkbox"/> Notice of Requirements for Storm Water Detention | WMO Schedule L | (2 Pages) |
| <input type="checkbox"/> Current Survey of Property Interests (Attachment for Schedule K or L) | Exhibit A | |
| <input type="checkbox"/> Outfall, Direct Connection, District Owned or Leased Property | WMO Schedule O | (1 Page) |
| <input checked="" type="checkbox"/> Soil Erosion and Sediment Control | WMO Schedule P | (2 Pages) |
| <input type="checkbox"/> Recording and Maintenance | WMO Schedule R | (2 Pages) |
| <input type="checkbox"/> Recording Exhibit (Attachment for Schedule K or L) | Exhibit R | |
| <input type="checkbox"/> Wetlands and Wetland Buffer Areas | WMO Schedule W | (2 Pages) |

Refer to Table 1 of § 201 of Article 2 of Watershed Management Ordinance for applicable Permitting Authority.

OTHER DOCUMENTS: Indicate title, number of pages and originator _____

Cover Letter With Enclosures by CBBEL (6 pages)

NOTE: ATTACH FEE PAYMENT VOUCHER AND PAYMENT IF APPLICABLE

DISTRICT USE ONLY

Application received: 08/24/2021 WMO Permit issued: 10/21/2021 WRP: Kirie

Issued by: DISTRICT Authorized Municipality

APPROVED

WMO PERMIT

GENERAL CONDITIONS

WMO Permit Number: 21-242

1. **Definitions.** The definitions of Appendix A of the Watershed Management Ordinance are incorporated into this Watershed Management Permit by reference. Additionally, the following words and phrases shall be defined as follows:

- a) **Building and Occupancy Permit.** Building and Occupancy Permit issued by the Municipality.
- b) **Design Engineer.** A Professional Engineer who prepares plans and specifications for the project, and signs the Watershed Management Permit Application.
- c) **Inspection Engineer.** A Professional Engineer who inspects the development to ensure compliance with the design plans, specifications, a Watershed Management Permit, and the Watershed Management Ordinance.
- d) **Permit.** Watershed Management Permit.
- e) **General Conditions.** General Conditions contained in a Watershed Management Permit.
- f) **Special Conditions.** Special Conditions of this Watershed Management Permit.

2. **Adequacy of Design.** The schedules, plans, specifications and all other data and documents submitted for this Permit are made a part hereof. The Permit shall not relieve the Design Engineer of the sole responsibility for the adequacy of the design. The issuance of this Permit shall not be construed as approval of the concept or construction details of the proposed facilities and shall not absolve the Permittee, Co-Permittee or Design Engineer of their respective responsibilities.

3. **Joint Construction and Operation Permits.** Unless otherwise stated by the Special Conditions, the issuance of this Permit shall be a joint construction and operation permit, provided that the Permittee or Co-Permittee has complied with all General and Special Conditions.

4. **Allowable Discharges.** Discharges into the Sanitary Sewer system constructed under this Permit shall consist of sanitary Sewage only. Unless otherwise stated by the Special Conditions, there shall be no discharge of industrial wastes under this Permit. Stormwater shall not be permitted to enter the Sanitary Sewer system. Without limiting the general prohibition of the previous sentence, roof and footing drains shall not be connected to the Sanitary Sewer system.

5. **Construction Inspection.** All erosion and sediment control facilities, Stormwater Facilities, Detention Facilities, and Qualified Sewer Construction shall be inspected and approved by an Inspection Engineer acting on behalf of the Permittee or the Owner of the

project, or by a duly authorized and competent representative of the Inspection Engineer. No sewer trenches shall be backfilled except as authorized by the Inspection Engineer after having inspected and approved the sewer installation.

6. **Maintenance.** Stormwater Facilities, Detention Facilities, Qualified Sewer Construction, Sanitary Sewer lines, Combined Sewer lines, systems or facilities constructed hereunder or serving the facilities constructed hereunder shall be properly maintained and operated at all times in accordance with all applicable requirements. It is understood that the responsibility for maintenance shall run as a joint and several obligation against the Permittee, the Co-Permittee, the property served, the Owner and the operator of the facilities, and said responsibility shall not be discharged nor in any way affected by change of ownership of said property, unless the District has authorized assignment of the permit.

7. **Indemnification.** The Permittee shall be solely responsible for and shall defend, indemnify and hold harmless the Metropolitan Water Reclamation District of Greater Chicago (“District”, “MWRD”, or “MWRDGC”) and its Commissioners, officers, employees, servants, and agents from liabilities of every kind, including losses, damages and reasonable costs, payments and expenses (such as, but not limited to, court costs and reasonable attorneys’ fees and disbursements), claims, demands, actions, suits, proceedings, judgments or settlements, any or all of which are asserted by any individual, private entity, or public entity against the District and its Commissioners, officers, employees, servants, or agents and arise out of or are in any way related to the issuance of this Permit. Without limiting the generality of the preceding sentence, the provisions of this paragraph shall extend to indemnify and hold harmless the District and its Commissioners, officers, employees, servants, and agents from any claims or damages arising out of or in connection with the termination or revocation of this Permit.

The Permittee shall be solely responsible for and shall defend, indemnify and hold harmless an Authorized Municipality and its elected officials, officers, employees, servants, and agents from liabilities of every kind, including losses, damages and reasonable costs, payments and expenses (such as, but not limited to, court costs and reasonable attorneys’ fees and disbursements), claims, demands, actions, suits, proceedings, judgments or settlements, any or all of which are asserted by any individual, private entity, or public entity against the Authorized Municipality and its elected officials, officers, employees, servants, or agents and arise out of or are in any way related to the issuance of this Permit. Without limiting the generality

WMO PERMIT

GENERAL CONDITIONS

WMO Permit Number: 21-242

of the preceding sentence, the provisions of this paragraph shall extend to indemnify and hold harmless the Authorized Municipality and its elected officials, officers, employees, servants, and agents from any claims or damages arising out of or in connection with the termination or revocation of this Permit.

8. **Sewer Construction by District.** Permittee understands and acknowledges that the District has the right and power to construct and extend sewer service facilities and render such services within the area to be served by the project for which this Permit is issued, and that by the District constructing and extending such sewer service facilities and rendering such services, the facilities constructed by the Permittee under this Permit may decrease in value, become useless or of no value whatsoever, the Permittee may also sustain a loss of business, income and profits.

Therefore, by accepting this Permit and acting thereon, the Permittee, for itself, its successors and assigns, does remise, release and forever discharge the District and its Commissioners, officers, employees, servants, and agents of any and all claims whatsoever which Permittee may now have or hereafter acquire and which Permittee's successors and assigns hereafter can, shall, or may have against the District and its Commissioners, officers, employees, servants, and agents for all losses and damages, either direct or indirect, claimed to have been incurred by reason of the construction or extension at any time hereafter by the District of sewer service facilities in the service area contemplated by this Permit, the rendering of such services, which District facilities and services decrease the value of the facilities constructed by the Permittee under this Permit, make same useless or of no value whatsoever, including but not limited to, any and all damages arising under 70 ILCS 2605/19; the taking of private property for public use without due compensation; the interference with the contracts of Permittee; the interference with Permittee's use and enjoyment of its land; and the decrease in value of Permittee's land.

9. **Third Parties.** Regarding Qualified Sewer Construction, this Permit does not grant the right or authority to the Permittee: (a) to construct or encroach upon any lands of the District or of any other parties, (b) to construct outside of the territorial boundaries of the District except as allowed under an extraterritorial service agreement, (c) to construct or encroach upon the territorial boundaries of any units of local government within the District, (d) to connect to or discharge into or be served by (directly or indirectly) any sewer or sewer system owned or operated by third parties.

10. **Costs.** It is expressly stipulated and clearly understood that the Stormwater Facilities, Detention Facilities, Qualified Sewer Construction, or facilities for which the Permit is issued shall be constructed, operated and maintained at no cost to the District.
11. **Other Sewer Construction.** The District reserves the right, privilege and authority to permit others to reconstruct, change, alter and replace all sewers and appurtenances thereto at the point of connection of any sewerage system to a District interceptor and/or in public right-of-ways of District easements, and to introduce additional Sewage flow through this connection into the intercepting sewer of said District.
12. **Change of Use.** This Permit shall be incorporated in the Building and Occupancy Permit for the Building or Buildings served under this Permit. The Owner or occupant of any Building served under this Permit shall not cause, or permit, a change of use of the Building to a use other than that indicated in this Permit without first having obtained a written permission from the Executive Director of the District.
13. **Interceptors Overloading.** The District hereby serves notice that its interceptors may flow full and may surcharge, and flooding of the proposed system may occur. The Permittee agrees that the proposed systems shall be constructed, operated and maintained at the sole risk of the Permittee.
14. **Transferability.** This Permit may not be assigned or transferred without the written consent of the Executive Director of the District or Enforcement Officer of an Authorized Municipality. However, a Sole Permittee may be required to assign or transfer the Permit when divesting itself of ownership to a third-party and should notify the District prior to such divestment so that the District may determine whether assignment to the new owner is necessary.
15. **Termination.** The District has the right to enforce or revoke a Permit issued by either the District or an Authorized Municipality as outlined in Article 12 of the Watershed Management Ordinance.

It is understood and agreed that in the event the Permittee shall default on or fail to perform and carryout any of the covenants, conditions or provisions of this Permit and such default or violation shall continue for sixty (60) days after receipt of notice thereof in writing given by the Executive Director of the District, then it shall be lawful for the District at or after the expiration of said sixty (60) days to declare said Permit terminated. The Permittee agrees that immediately upon receipt of written notice of such termination it will stop all operations, discontinue any discharges and disconnect the sewerage system or facilities constructed under this Permit. If the

WMO PERMIT

GENERAL CONDITIONS

WMO Permit Number: 21-242

Permittee fails to do so, the District shall have the right to disconnect said system. The Permittee hereby agrees to pay for any costs incurred by the District for said disconnection.

16. **Rights and Remedies.** The various rights and remedies of the District contained in this Permit shall be construed as cumulative, and no one of them shall be construed as exclusive of any one or more of the others or exclusive of any other rights or remedies allowed by applicable rules, regulations, ordinances and laws. An election by the District to enforce any one or more of its rights or remedies shall not be construed as a waiver of the rights of the District to pursue any other rights or remedies provided under the terms and provisions of this Permit or under any applicable rules, regulations, ordinances or laws.
17. **Expiration.** This Permit shall expire if construction has not started within one (1) year from the date of issue. Construction under an expired Permit is deemed construction without a Permit. All construction under this Permit shall be completed within three (3) years after the date of permit issuance. If conditions so warrant, an extension may be granted. For publicly financed projects (e.g. special assessments) the one (1) year period indicated will be considered from the date of final court action.
18. **Revocation.** In issuing this Permit, the District or Authorized Municipality has relied upon the statements and representations made by the Permittee or his agent. Any incorrect statements or representations shall be cause for revocation of this Permit, and all the rights of the Permittee hereunder shall immediately become null and void.
19. **Advance Notice.** The Permittee shall give the District or Authorized Municipality advance notice of at least two working days prior to the following: mobilization and installation of Erosion and Sediment Control Practices; commencement of construction; excavation for Qualified Sewer Construction; Major Stormwater Systems and Detention Facilities under this Permit; and completion of construction. When advance notice is given, the Permittee shall provide the Permit number, municipality and location.
20. **Compliance with Plans and Specifications.** All construction shall be in accordance with the plans and specifications submitted for this Permit and made a part hereof. No changes in, or deviation from the plans and specifications which affect capacity, maintenance, design requirements, service area or Permit requirements shall be permitted unless revised plans have been submitted to, and approved by the District or Authorized Municipality. The Permit together with a set of the plans and specifications (revised plans and specifications, if any) shall be kept on the jobsite at all times during construction and until final inspection and approval by the District or Authorized Municipality.
21. **Testing and Approval.** All construction under this Permit shall be subject to inspection, testing and approval by the District. All testing shall be made, or caused to be made, by the Permittee at no cost to the District and in the presence of the District representative. Upon satisfactory completion of construction, the Permittee and the owner shall submit, or cause to be submitted, a completion certificate and request for approval on the form prescribed by the District. No sewer or other facilities shall be put in service until all the conditions of the Permit have been satisfactorily met.
22. **Record Drawings.** Before final inspection and approval by the District or an Authorized Municipality, the Permittee shall furnish, or cause to be furnished to the District or an Authorized Municipality, a set of Record drawings and Schedule R for the site stormwater plan, Detention Facilities, Stormwater Facilities, and Qualified Sewer Construction.
23. **Compliance with Rules and Regulations.** The Permittee hereby expressly assumes all responsibilities for meeting the requirements of all applicable rules, regulations, ordinances and laws of Local, State and Federal authorities. Issuance of this Permit shall not constitute a waiver of any applicable requirements.
24. **Severability.** The provisions of this Permit are severable, and if any provision of this Permit, or the application of any provision of this Permit, is held invalid, the remaining provisions of this Permit shall continue in full force and effect.
25. **Property Rights.** This Permit does not convey any property rights of any sort, or any exclusive privilege.
26. **Conflict with Other Conditions.** In the case of conflict between these General Conditions and any other condition(s) in this permit, the other condition(s) shall govern.

WMO SCHEDULE B SEWER SUMMARY

Watershed Management Permit No.

21-242

PROJECT NAME: Rand Road, Central Road, and Mount Prospect Road Improvements
(as shown on the plans)

1. **SEWER SUMMARY:** Include all qualified sewer construction sewers (Sanitary sewers in combined and separate sewer areas and Storm sewers in combined sewer area) and their tributary type: Sanitary (San), Combined (C), Storm to Combined (SC), Storm to Waterway (SW), or Storm part of Volume Control (SVC)

Tributary Type	Choose an Choose one	Choose an Choose one	Choose an Choose one	Choose an Choose one	Choose Choose one	Choose an Choose one	Choose Choose one
Pipe Size (in.)							
Total Length (ft.)							
Min. slope used (%)							
Pipe Material *							
Total Manholes							
Total Cleanouts							
Catch Basin/Inlets							

* Pipe material and joint specifications must be shown on plans. See Technical Guidance Manual for acceptable specifications.

Sewer construction in floodplain: No Yes → FPE _____ ft.

Sanitary Manholes in floodplain N/A

Note: All structures shall have lids located above the FPE or be constructed with watertight, bolt down covers/lids.

2. NATURE OF PROJECT (Check all that apply)

Brief description The proposed project includes roadway improvements as well as new separate storm sewers.

- Publicly financed Sewer extension to serve future development
- Sewer system serving a subdivision Storm sewers in combined sewer area
- Off-site trunk sewer to serve subdivision Service connections to serve buildings (Sch. C)
- Other Installation of new separate storm sewers with ultimate outlet to Des Plaines River.

3. SEWER EXTENSIONS

Identify proposed project designed to service future connections (not included in Schedule C). Check the appropriate box and submit service area map and estimate of population equivalent (PE) to be served.

- NO YES → Service area map
- P.E. estimate submitted

WMO SCHEDULE C
SEWER CONNECTIONS

Watershed Management Permit No.

21-242

(FILL OUT ALL SECTIONS THAT APPLY)

NA

1. BUILDING CONNECTION DATA

A. RESIDENTIAL BUILDINGS

<input type="checkbox"/>	Single Family	Total dwelling units *	Installation of ne	
		Number of sewer connections *	_____	PE** _____
<input type="checkbox"/>	Multi Family	Total dwelling units *	_____	_____
		Number of sewer connections *	_____	PE** _____

B. COMMERCIAL & RECREATIONAL BUILDINGS

Number of sewer connections _____ PE** _____

C. INDUSTRIAL BUILDINGS

Number of sewer connections _____ PE** _____

* Each sanitary line exiting a building is a connection

** Population Equivalent (Submit calculations for each connection and total from all connections)

2. BUILDING USE - (Check all that apply)

A. COMMERCIAL & RECREATIONAL

Describe use of buildings, including principal product(s) or activities _____

- | | |
|--|--|
| <input type="checkbox"/> Food preparation or processing (install grease separator) | <input type="checkbox"/> Laundromat (install lint basin) |
| <input type="checkbox"/> Swimming pool (provide pool plans) | <input type="checkbox"/> Auto service (install triple basin) |
| <input type="checkbox"/> Manufacturing (describe) _____ | <input type="checkbox"/> Auto wash (install mud basin) |
| <input checked="" type="checkbox"/> Other _____ | |

B. INDUSTRIAL BUILDINGS

Describe use of buildings, including principal product(s) or activities _____

- Sewer connections will receive domestic sewage only
- Industrial waste is produced

NOTE: If industrial waste is produced, submit [WMO Schedule F](#) & [WMO Schedule G](#) and plumbing plans along with flow diagram for pretreatment system.

SCHEDULE P
SOIL EROSION AND SEDIMENT CONTROL

WMO Permit Number: 21-242

NAME OF PROJECT: Rand Road, Central Road, and Mount Prospect Road Improvements

1. PROJECT INFORMATION:

- A. Project Area (include all disturbed area) 11.85 acres
- B. Stormwater discharges directly to:
 - Storm Sewer
 - Combined Sewer
 - Overland Flow Route
 - Waters of the State → Name of water body: _____
 - Other → Explain: _____
- C. Indicate if any of the following special circumstances apply (check all that apply):
 - Volume Control Facility Wetland / Buffer Outfall to Waterway
 - Floodplain / Floodway Riparian Environment Tributary to Lake Michigan
- D. Explain how special circumstances indicated in Item 1.C will be protected from erosion and sedimentation:

2. SOIL EROSION AND SEDIMENT CONTROL PRACTICES: Submit a soil erosion and sediment control plan indicating type, location, and detail for all practices. Include a sequence for all major construction activities. All practices must be constructed in accordance with the Illinois Urban Manual.

- A. Indicate all temporary soil erosion and sediment control practices installed as part of the project:
 - Entrance / Exit Control Vegetative Control Filtration for Dewatering
 - Concrete Washout Matting / Mulching Conveyance Channel
 - Silt Fence Coir Roll Velocity Dissipation
 - Double-Row Silt Fence Sediment Trap Cofferdam / Silt Curtain
 - Inlet Control Sediment Basin
 - Other: Temporary Seeding
 - Other: _____
- B. Indicate all permanent soil erosion control practices installed as part of the project:
 - Vegetative Control Velocity Dissipation
 - Other: Erosion Control Blanket
 - Other: Permanent Sodding

SPECIAL CONDITIONS FOR PERMIT NO. 21-242

1. Construction must conform to the soil erosion and sediment control requirements of this permit and any other local, state, and/or federal agencies.
2. The MWRD Local Sewer Systems Section Field Office shall be notified at least two (2) working days prior to making any modifications to MWRD structures/sewers/facilities (call 708-588-4055).
3. MWRD manholes shall be located, protected and/or adjusted to grade, if necessary, as per our standard procedures. Prior authorization is required to make any structural modifications, including manhole frame and lid adjustments. Please contact Mr. Cedric Robertson, Managing Engineer, at 708-588-3896.
4. For questions regarding access to MWRD facilities or field location, please contact Mr. Paul Sobanski, Senior Engineer, at 708-588-4080.
5. The MWRD shall have 24 hour-a-day unrestricted access to all MWRD structures/sewers/facilities.
6. No debris shall enter MWRD structures/sewers/facilities/waterways.
7. All access hatches/manhole covers on MWRD structures/manholes within the project area shall not be buried/covered.
8. Extra caution shall be taken during construction for the safety and integrity of MWRD structures/sewers/facilities.

ENGINEERING CERTIFICATIONS

Watershed Management Permit No. 21-242

CERTIFICATE BY DESIGN ENGINEER: I hereby certify that the project described herein has been designed in accordance with the requirements set forth in this application and all applicable ordinances, rules, regulations, local, state and federal laws, and design criteria of the issuing authority; that the storm drainage and sanitary sewer system designed for this project are proper and adequate; that where the design involves one or more connections to an existing local sewer system, the capacity of said system has been examined and the system is found to be adequate to transport the stormwater and/or wastewater that will be added through the proposed sewer without violating any provisions of the Illinois Environmental Protection Act or the rules and regulations thereunder.

Comments, if any: _____

Engineering Firm: Christopher B. Burke Engineering, Ltd. Telephone: () 847 - 823-0500



Address: 8575 W. Higgins Road, Suite 600 City: Rosemont, IL Zip: 60018

Signature: *Stef Sugg* PROJ MAN Date: 8/10/2021
(Name and Title)

Email Address: ssugg@cbbel.com

CERTIFICATE BY MUNICIPAL OR SYSTEM ENGINEER: The application and the drawings, together with _____ submitted with this application, have been examined by me and are found to be in compliance with all applicable requirements. The manner of drainage is satisfactory and proper in accordance with local requirements. The existing local sewer system to which the project discharges has been examined and the system is found to be adequate to transport the stormwater and/or wastewater that will be added through the proposed sewer without violating any provisions of the Illinois Environmental Protection Act or the rules and regulations thereunder.

I hereby certify that the project area is within the municipal corporate limits. YES NO



Department of Local Sewer System: City of Des Plaines

Municipal Engineer: Jon Duddles, PE, CFM-Asst. Director Public Works & Engineering Telephone: 847-391-6127

Address: 1420 Miner Street City: Des Plaines Zip: 60016

Signature: *Jon Duddles* Date: 9-15-21
(Name and Title) Assistant Director of P.W. & Engr.

Email Address: jduddles@desplaines.org

CERTIFICATE BY INSPECTION ENGINEER: I hereby certify that construction of the project will be in substantial compliance with the data and the plans submitted with this application; that approval will be obtained from the issuing authority prior to making any changes that would affect capacity, maintenance, design requirements, service area or the Permit requirements; that a set of RECORD drawings, signed and sealed by the undersigned Engineer will be furnished to the District or an Authorized Municipality before testing and approval by the District or Authorized Municipality of the completed work.

Engineering Firm: Christopher B. Burke Engineering, Ltd. Telephone: 847-823-0500



Address: 8575 W. Higgins Road, Suite 600 City: Rosemont, IL Zip: 60018

Signature: *Stef Sugg* PROJ MAN Date: 8/10/2021
(Name and Title)

Email Address: ssugg@cbbel.com

ENGINEERING CERTIFICATIONS

Watershed Management Permit No. _____

21-242

CERTIFICATE BY DESIGN ENGINEER: I hereby certify that the project described herein has been designed in accordance with the requirements set forth in this application and all applicable ordinances, rules, regulations, local, state and federal laws, and design criteria of the issuing authority; that the storm drainage and sanitary sewer system designed for this project are proper and adequate; that where the design involves one or more connections to an existing local sewer system, the capacity of said system has been examined and the system is found to be adequate to transport the stormwater and/or wastewater that will be added through the proposed sewer without violating any provisions of the Illinois Environmental Protection Act or the rules and regulations thereunder.

Comments, if any: _____

Engineering Firm: Christopher B. Burke Engineering, Ltd. Telephone: () 847 - 823-0500

Address: 9575 W. Higgins Road, Suite 600 City: Rosemont, IL Zip: 60018



Signature: *Step M Sugg* PROJ MAN Date: 8/10/2021
(Name and Title)

Email Address: ssugg@cbbel.com

CERTIFICATE BY MUNICIPAL OR SYSTEM ENGINEER: The application and the drawings, together with other data being submitted with this application, have been examined by me and are found to be in compliance with all applicable requirements. The manner of drainage is satisfactory and proper in accordance with local requirements. The existing local sewer system to which the project discharges has been examined and the system is found to be adequate to transport the stormwater and/or wastewater that will be added through the proposed sewer without violating any provisions of the Illinois Environmental Protection Act or the rules and regulations thereunder.

I hereby certify that the project area is within the municipal corporate limits. YES NO

Owner of Local Sewer System: Village of Mount Prospect



Engineer: Jeff Wulbecker, PE - Village Engineer Telephone: 847-870-5640

Address: 100 W. Central Road City: Mount Prospect Zip: 60056

Signature: *Jeffrey A. Wulbecker, PE* Date: AUGUST 9, 2021
(Name and Title)

Email Address: jwulbeck@mountprospect.org

CERTIFICATE BY INSPECTION ENGINEER: I hereby certify that construction of the project will be in substantial compliance with the data and the plans submitted with this application; that approval will be obtained from the issuing authority prior to making any changes that would affect capacity, maintenance, design requirements, service area or the Permit requirements; that a set of RECORD drawings, signed and sealed by the undersigned Engineer will be furnished to the District or an Authorized Municipality before testing and approval by the District or Authorized Municipality of the completed work.

Engineering Firm: Christopher B. Burke Engineering, Ltd. Telephone: 847-823-0500



Address: 9575 W. Higgins Road, Suite 600 City: Rosemont, IL Zip: 60018

Signature: *Step M Sugg* PROJ MAN Date: 8/10/2021
(Name and Title)

Email Address: ssugg@cbbel.com

SPECIAL CONDITIONS

Watershed Management Permit No.

21-242

This Permit is issued subject to the General Conditions and the attached Special Conditions.

If Permit is granted:

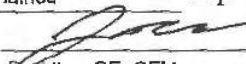

- Please return two (2) copies of the Permit to the Permittee; or
- Please mail one (1) copy to Permittee and one (1) copy to the person designated below:

Name: Attn: Steve Sugg, PE, PTEO (Christopher B. Burke Engineering, Ltd.)

Address : 9575 W. Higgins Road, Suite 600, Rosemont, IL 60018

Email : ssugg@cbbel.com

CERTIFICATE BY APPLICANTS: We have read and thoroughly understand the conditions and requirements of this Permit application, and agree to conform to the Permit conditions and other applicable requirements of the District. It is understood that construction hereunder, after the Permit is granted, shall constitute acceptance by the applicants of any Special Conditions that may be placed hereon by the District or an Authorized Municipality. It is further understood that this application shall not constitute a Permit until it is approved, signed and returned by the Director of Engineering of the District or Enforcement Officer of an Authorized Municipality.

PERMITTEE	CO-PERMITTEE
The project area is within municipal corporate limits. <input checked="" type="checkbox"/> Yes <input type="checkbox"/> No <input type="checkbox"/> Not Applicable	(Co-Permittee is Property Owner) Title to property is held in a land trust: <input type="checkbox"/> Yes <input checked="" type="checkbox"/> No If yes, Co-Permittee shall be beneficiary with Power of Direction
Municipality <u>City of Des Plaines</u>	Owner <u>Village of Mount Prospect</u>
Address <u>1420 Miner Street</u>	Address <u>1700 W. Central Road</u>
City <u>Des Plaines</u> Zip <u>60016</u>	City <u>Mount Prospect</u> Zip <u>60056</u>
Signature 	Signature 
Name <u>Jon Duddles, PE, CFM</u> <i>(Print)</i>	Name <u>Jeff Wulbecker, PE</u> <i>(Print)</i>
Title <u>Assistant Director of Public Works and Engineering</u>	Title <u>Village Engineer</u>
Date <u>9-15-21</u> Phone <u>847-391-6127</u>	Date <u>AUGUST 9, 2021</u> Phone <u>847-870-5640</u>
Email <u>jduddles@desplaines.org</u>	Email <u>jwulbeck@mountprospect.org</u>

REVIEW AND APPROVAL BY THE DISTRICT OR AUTHORIZED MUNICIPALITY	
Reviewed by: _____ <small>(Local Sewer Systems) or (Professional Engineer)</small>	Date _____
Approved for Issue _____	
Approved by: _____ <small>(For the Director of Engineering) or (Enforcement Officer)</small>	Date _____

ACCESSIBLE PEDESTRIAN SIGNALS (APS) (BDE)

Effective: April 1, 2003

Revised: January 1, 2022

Description. This work shall consist of furnishing and installing accessible pedestrian signals (APS). Each APS shall consist of an interactive vibrotactile pedestrian pushbutton with speaker, an informational sign, a light emitting diode (LED) indicator light, a solid-state electronic control board, a power supply, wiring, and mounting hardware. The APS shall meet the requirements of the MUTCD and Sections 801 and 888 of the Standard Specifications, except as modified herein.

Electrical Requirements. The APS shall operate with systems providing 95 to 130 VAC, 60 Hz and throughout an ambient air temperature range of -29 to +160 °F (-34 to +70 °C).

The APS shall contain a power protection circuit consisting of both fuse and transient protection.

Audible Indications. A pushbutton locator tone shall sound at each pushbutton and shall be deactivated during the associated walk indication and when associated traffic signals are in flashing mode. Pushbutton locator tones shall have a duration of 0.15 seconds or less and shall repeat at 1-second intervals. Each actuation of the pushbutton shall be accompanied by the speech message "Wait".

If two accessible pedestrian pushbuttons are placed less than 10 ft (3 m) apart or placed on the same pole, the audible walk indication shall be a speech walk message. This message shall sound throughout the WALK interval only. The verbal message shall be modeled after: "Street Name, Walk Sign is on to cross Street Name." For signalized intersections utilizing exclusive pedestrian phasing, the verbal message shall be "Walk sign is on for all crossings". In addition, a speech pushbutton information message shall be provided by actuating the APS pushbutton when the WALK interval is not timing. This verbal message shall be modeled after: "Wait. Wait to cross Street Name at Street Name".

Where two accessible pedestrian pushbuttons are separated by at least 10 ft (3 m), the walk indication shall be an audible percussive tone. It shall repeat at 8 to 10 ticks per second with a dominant frequency of 880 Hz.

Automatic volume adjustments in response to ambient traffic sound level shall be provided up to a maximum volume of 100 dBA. Locator tone and verbal messages shall be no more than 5 dB louder than ambient sound.

At locations with railroad interconnection, an additional speech message stating "Walk time shortened when train approaches" shall be used after the speech walk message. At locations with emergency vehicle preemption, an additional speech message "Walk time shortened when emergency vehicle approaches" shall be used after the speech walk message.

Pedestrian Pushbutton. Pedestrian pushbuttons shall be at least 2 in. (50 mm) in diameter or width. The force required to activate the pushbutton shall be no greater than 3.5 lb (15.5 N).

A red LED shall be located on or near the pushbutton which, when activated, acknowledges the pedestrians request to cross the street.

Signage. A sign shall be located immediately above the pedestrian pushbutton and parallel to the crosswalk controlled by the pushbutton. The sign shall conform to one of the following standard MUTCD designs: R10-3, R10-3a, R10-3e, R10-3i, R10-4, and R10-4a.

Tactile Arrow. A tactile arrow, pointing in the direction of travel controlled by a pushbutton, shall be provided on the pushbutton.

Vibrotactile Feature. The pushbutton shall pulse when depressed and shall vibrate continuously throughout the WALK interval.

Method of Measurement. This work will be measured for payment as each, per pushbutton.

Basis of Payment. This work will be paid for at the contract unit price per each for ACCESSIBLE PEDESTRIAN SIGNALS.

80099

AGGREGATE SUBGRADE IMPROVEMENT (BDE)

Effective: April 1, 2012

Revised: April 1, 2022

Add the following Section to the Standard Specifications:

“SECTION 303. AGGREGATE SUBGRADE IMPROVEMENT

303.01 Description. This work shall consist of constructing an aggregate subgrade improvement (ASI).

303.02 Materials. Materials shall be according to the following.

Item	Article/Section
(a) Coarse Aggregate	1004.07
(b) Reclaimed Asphalt Pavement (RAP)	1031.09

303.03 Equipment. The vibratory roller shall be according to Article 1101.01, or as approved by the Engineer. Vibratory machines, such as tampers, shall be used in areas where rollers do not fit.

303.04 Soil Preparation. The minimum immediate bearing value (IBV) of the soil below the improved subgrade shall be according to the Department’s “Subgrade Stability Manual” for the aggregate thickness specified.

303.05 Placing and Compacting. The maximum nominal lift thickness of aggregate gradations CA 2, CA 6, and CA 10 when compacted shall be 9 in. (225 mm). The maximum nominal lift thickness of aggregate gradations CS 1, CS 2, and RR 1 when compacted shall be 24 in. (600 mm).

The top surface of the aggregate subgrade improvement shall consist of a layer of capping aggregate gradations CA 6 or CA 10 that is 3 in. (75 mm) thick after compaction. Capping aggregate will not be required when aggregate subgrade improvement is used as a cubic yard pay item for undercut applications.

Each lift of aggregate shall be compacted to the satisfaction of the Engineer. If the moisture content of the material is such that compaction cannot be obtained, sufficient water shall be added so that satisfactory compaction can be obtained.

303.06 Finishing and Maintenance. The aggregate subgrade improvement shall be finished to the lines, grades, and cross sections shown on the plans, or as directed by the Engineer. The aggregate subgrade improvement shall be maintained in a smooth and compacted condition.

303.07 Method of Measurement. This work will be measured for payment according to Article 311.08.

303.08 Basis of Payment. This work will be paid for at the contract unit price per cubic yard (cubic meter) or ton (metric ton) for AGGREGATE SUBGRADE IMPROVEMENT or at the contract unit price per square yard (square meter) for AGGREGATE SUBGRADE IMPROVEMENT, of the thickness specified.”

Add the following to Section 1004 of the Standard Specifications:

“1004.07 Coarse Aggregate for Aggregate Subgrade Improvement (ASI). The aggregate shall be according to Article 1004.01 and the following.

(a) Description. The coarse aggregate shall be crushed gravel, crushed stone, or crushed concrete. In applications where greater than 24 in. (600 mm) of ASI material is required, gravel may be used below the top 12 in (300 mm) of ASI.

(b) Quality. The coarse aggregate shall consist of sound durable particles reasonably free of deleterious materials.

(c) Gradation.

(1) The coarse aggregate gradation for total ASI thickness less than or equal to 12 in. (300 mm) shall be CA 2, CA 6, CA 10, or CS 1.

The coarse aggregate gradation for total ASI thickness greater than 12 in. (300 mm) shall be CS 1 or CS 2 as shown below or RR 1 according to Article 1005.01(c).

COARSE AGGREGATE SUBGRADE GRADATIONS					
Grad No.	Sieve Size and Percent Passing				
	8”	6”	4”	2”	#4
CS 1	100	97 ± 3	90 ± 10	45 ± 25	20 ± 20
CS 2		100	80 ± 10	25 ± 15	

COARSE AGGREGATE SUBGRADE GRADATIONS (Metric)					
Grad No.	Sieve Size and Percent Passing				
	200 mm	150 mm	100 mm	50 mm	4.75 mm
CS 1	100	97 ± 3	90 ± 10	45 ± 25	20 ± 20
CS 2		100	80 ± 10	25 ± 15	

(2) Capping aggregate shall be gradation CA 6 or CA 10.”

Add the following to Article 1031.09 of the Standard Specifications:

“(b) RAP in Aggregate Subgrade Improvement (ASI). RAP in ASI shall be according to Articles 1031.01(a), 1031.02(a), 1031.06(a)(1), and 1031.06(a)(2), and the following.

- (1) The testing requirements of Article 1031.03 shall not apply.
- (2) Crushed RAP used for the lower lift may be mechanically blended with aggregate gradations CS 1, CS 2, and RR 1 but it shall be no greater than 40 percent of the total product volume. RAP agglomerations shall be no greater than 4 in. (100 mm).
- (3) For capping aggregate, well graded RAP having 100 percent passing the 1 1/2 in. (38 mm) sieve may be used when aggregate gradations CS 1, CS 2, CA 2, or RR 1 are used in the lower lift. FRAP will not be permitted as capping material.

Blending shall be through calibrated interlocked feeders or a calibrated blending plant such that the prescribed blending percentage is maintained throughout the blending process. The calibration shall have an accuracy of ± 2.0 percent of the actual quantity of material delivered.”

80274

BITUMINOUS MATERIALS COST ADJUSTMENTS (BDE)

Effective: November 2, 2006

Revised: August 1, 2017

Description. Bituminous material cost adjustments will be made to provide additional compensation to the Contractor, or credit to the Department, for fluctuations in the cost of bituminous materials when optioned by the Contractor. The bidder shall indicate with their bid whether or not this special provision will be part of the contract.

The adjustments shall apply to permanent and temporary hot-mix asphalt (HMA) mixtures, bituminous surface treatments (cover and seal coats), and preventative maintenance type surface treatments that are part of the original proposed construction, or added as extra work and paid for by agreed unit prices. The adjustments shall not apply to bituminous prime coats, tack coats, crack filling/sealing, joint filling/sealing, or extra work paid for at a lump sum price or by force account.

Method of Adjustment. Bituminous materials cost adjustments will be computed as follows.

$$CA = (BPI_P - BPI_L) \times (\%AC_V / 100) \times Q$$

- Where: CA = Cost Adjustment, \$.
- BPI_P = Bituminous Price Index, as published by the Department for the month the work is performed, \$/ton (\$/metric ton).
- BPI_L = Bituminous Price Index, as published by the Department for the month prior to the letting for work paid for at the contract price; or for the month the agreed unit price letter is submitted by the Contractor for extra work paid for by agreed unit price, \$/ton (\$/metric ton).
- %AC_V = Percent of virgin Asphalt Cement in the Quantity being adjusted. For HMA mixtures, the % AC_V will be determined from the adjusted job mix formula. For bituminous materials applied, a performance graded or cutback asphalt will be considered to be 100% AC_V and undiluted emulsified asphalt will be considered to be 65% AC_V.
- Q = Authorized construction Quantity, tons (metric tons) (see below).

For HMA mixtures measured in square yards: $Q, \text{ tons} = A \times D \times (G_{mb} \times 46.8) / 2000$. For HMA mixtures measured in square meters: $Q, \text{ metric tons} = A \times D \times (G_{mb} \times 1) / 1000$. When computing adjustments for full-depth HMA pavement, separate calculations will be made for the binder and surface courses to account for their different G_{mb} and % AC_V.

For bituminous materials measured in gallons: $Q, \text{ tons} = V \times 8.33 \text{ lb/gal} \times SG / 2000$
For bituminous materials measured in liters: $Q, \text{ metric tons} = V \times 1.0 \text{ kg/L} \times SG / 1000$

- Where: A = Area of the HMA mixture, sq yd (sq m).
D = Depth of the HMA mixture, in. (mm).
G_{mb} = Average bulk specific gravity of the mixture, from the approved mix design.

V = Volume of the bituminous material, gal (L).
SG = Specific Gravity of bituminous material as shown on the bill of lading.

Basis of Payment. Bituminous materials cost adjustments may be positive or negative but will only be made when there is a difference between the BPI_L and BPI_P in excess of five percent, as calculated by:

$$\text{Percent Difference} = \{(BPI_L - BPI_P) \div BPI_L\} \times 100$$

Bituminous materials cost adjustments will be calculated for each calendar month in which applicable bituminous material is placed; and will be paid or deducted when all other contract requirements for the work placed during the month are satisfied. The adjustments shall not apply during contract time subject to liquidated damages for completion of the entire contract.

80173

BLENDED FINELY DIVIDED MINERALS (BDE)

Effective: April 1, 2021

Revise the second paragraph of Article 1010.01 of the Standard Specifications to read:

“Different sources or types of finely divided minerals shall not be mixed or used alternately in the same item of construction, except as a blended finely divided mineral product according to Article 1010.06.”

Add the following article to Section 1010 of the Standard Specifications:

“1010.06 Blended Finely Divided Minerals. Blended finely divided minerals shall be the product resulting from the blending or intergrinding of two or three finely divided minerals. Blended finely divided minerals shall be according to ASTM C 1697, except as follows.

- (a) Blending shall be accomplished by mechanically or pneumatically intermixing the constituent finely divided minerals into a uniform mixture that is then discharged into a silo for storage or tanker for transportation.
- (b) The blended finely divided mineral product will be classified according to its predominant constituent or the manufacturer’s designation and shall meet the chemical requirements of its classification. The other finely divided mineral constituent(s) will not be required to conform to their individual standards.”

80436

COMPENSABLE DELAY COSTS (BDE)

Effective: June 2, 2017

Revised: April 1, 2019

Revise Article 107.40(b) of the Standard Specifications to read:

“(b) Compensation. Compensation will not be allowed for delays, inconveniences, or damages sustained by the Contractor from conflicts with facilities not meeting the above definition; or if a conflict with a utility in an unanticipated location does not cause a shutdown of the work or a documentable reduction in the rate of progress exceeding the limits set herein. The provisions of Article 104.03 notwithstanding, compensation for delays caused by a utility in an unanticipated location will be paid according to the provisions of this Article governing minor and major delays or reduced rate of production which are defined as follows.

- (1) Minor Delay. A minor delay occurs when the work in conflict with the utility in an unanticipated location is completely stopped for more than two hours, but not to exceed two weeks.
- (2) Major Delay. A major delay occurs when the work in conflict with the utility in an unanticipated location is completely stopped for more than two weeks.
- (3) Reduced Rate of Production Delay. A reduced rate of production delay occurs when the rate of production on the work in conflict with the utility in an unanticipated location decreases by more than 25 percent and lasts longer than seven calendar days.”

Revise Article 107.40(c) of the Standard Specifications to read:

“(c) Payment. Payment for Minor, Major, and Reduced Rate of Production Delays will be made as follows.

- (1) Minor Delay. Labor idled which cannot be used on other work will be paid for according to Article 109.04(b)(1) and (2) for the time between start of the delay and the minimum remaining hours in the work shift required by the prevailing practice in the area.

Equipment idled which cannot be used on other work, and which is authorized to standby on the project site by the Engineer, will be paid for according to Article 109.04(b)(4).

- (2) Major Delay. Labor will be the same as for a minor delay.

Equipment will be the same as for a minor delay, except Contractor-owned equipment will be limited to two weeks plus the cost of move-out to either the

Contractor's yard or another job and the cost to re-mobilize, whichever is less. Rental equipment may be paid for longer than two weeks provided the Contractor presents adequate support to the Department (including lease agreement) to show retaining equipment on the job is the most economical course to follow and in the public interest.

- (3) Reduced Rate of Production Delay. The Contractor will be compensated for the reduced productivity for labor and equipment time in excess of the 25 percent threshold for that portion of the delay in excess of seven calendar days. Determination of compensation will be in accordance with Article 104.02, except labor and material additives will not be permitted.

Payment for escalated material costs, escalated labor costs, extended project overhead, and extended traffic control will be determined according to Article 109.13.”

Revise Article 108.04(b) of the Standard Specifications to read:

“(b) No working day will be charged under the following conditions.

- (1) When adverse weather prevents work on the controlling item.
- (2) When job conditions due to recent weather prevent work on the controlling item.
- (3) When conduct or lack of conduct by the Department or its consultants, representatives, officers, agents, or employees; delay by the Department in making the site available; or delay in furnishing any items required to be furnished to the Contractor by the Department prevents work on the controlling item.
- (4) When delays caused by utility or railroad adjustments prevent work on the controlling item.
- (5) When strikes, lock-outs, extraordinary delays in transportation, or inability to procure critical materials prevent work on the controlling item, as long as these delays are not due to any fault of the Contractor.
- (6) When any condition over which the Contractor has no control prevents work on the controlling item.”

Revise Article 109.09(f) of the Standard Specifications to read:

“(f) Basis of Payment. After resolution of a claim in favor of the Contractor, any adjustment in time required for the work will be made according to Section 108. Any adjustment in the costs to be paid will be made for direct labor, direct materials, direct equipment, direct jobsite overhead, direct offsite overhead, and other direct costs allowed by the resolution. Adjustments in costs will not be made for interest charges, loss of anticipated profit, undocumented loss of efficiency, home office overhead and unabsorbed overhead

other than as allowed by Article 109.13, lost opportunity, preparation of claim expenses and other consequential indirect costs regardless of method of calculation.

The above Basis of Payment is an essential element of the contract and the claim cost recovery of the Contractor shall be so limited.”

Add the following to Section 109 of the Standard Specifications.

“109.13 Payment for Contract Delay. Compensation for escalated material costs, escalated labor costs, extended project overhead, and extended traffic control will be allowed when such costs result from a delay meeting the criteria in the following table.

Contract Type	Cause of Delay	Length of Delay
Working Days	Article 108.04(b)(3) or Article 108.04(b)(4)	No working days have been charged for two consecutive weeks.
Completion Date	Article 108.08(b)(1) or Article 108.08(b)(7)	The Contractor has been granted a minimum two week extension of contract time, according to Article 108.08.

Payment for each of the various costs will be according to the following.

- (a) Escalated Material and/or Labor Costs. When the delay causes work, which would have otherwise been completed, to be done after material and/or labor costs have increased, such increases will be paid. Payment for escalated material costs will be limited to the increased costs substantiated by documentation furnished by the Contractor. Payment for escalated labor costs will be limited to those items in Article 109.04(b)(1) and (2), except the 35 percent and 10 percent additives will not be permitted.
- (b) Extended Project Overhead. For the duration of the delay, payment for extended project overhead will be paid as follows.
 - (1) Direct Jobsite and Offsite Overhead. Payment for documented direct jobsite overhead and documented direct offsite overhead, including onsite supervisory and administrative personnel, will be allowed according to the following table.

Original Contract Amount	Supervisory and Administrative Personnel
Up to \$5,000,000	One Project Superintendent
Over \$ 5,000,000 - up to \$25,000,000	One Project Manager, One Project Superintendent or Engineer, and One Clerk
Over \$25,000,000 - up to \$50,000,000	One Project Manager, One Project Superintendent, One Engineer, and

	One Clerk
Over \$50,000,000	One Project Manager, Two Project Superintendents, One Engineer, and One Clerk

(2) Home Office and Unabsorbed Overhead. Payment for home office and unabsorbed overhead will be calculated as 8 percent of the total delay cost.

(c) Extended Traffic Control. Traffic control required for an extended period of time due to the delay will be paid for according to Article 109.04.

When an extended traffic control adjustment is paid under this provision, an adjusted unit price as provided for in Article 701.20(a) for increase or decrease in the value of work by more than ten percent will not be paid.

Upon payment for a contract delay under this provision, the Contractor shall assign subrogation rights to the Department for the Department's efforts of recovery from any other party for monies paid by the Department as a result of any claim under this provision. The Contractor shall fully cooperate with the Department in its efforts to recover from another party any money paid to the Contractor for delay damages under this provision."

80384

CONSTRUCTION AIR QUALITY – DIESEL RETROFIT (BDE)

Effective: June 1, 2010

Revised: November 1, 2014

The reduction of emissions of particulate matter (PM) for off-road equipment shall be accomplished by installing retrofit emission control devices. The term “equipment” refers to diesel fuel powered devices rated at 50 hp and above, to be used on the jobsite in excess of seven calendar days over the course of the construction period on the jobsite (including rental equipment).

Contractor and subcontractor diesel powered off-road equipment assigned to the contract shall be retrofitted using the phased in approach shown below. Equipment that is of a model year older than the year given for that equipment’s respective horsepower range shall be retrofitted:

Effective Dates	Horsepower Range	Model Year
June 1, 2010 ^{1/}	600-749	2002
	750 and up	2006
June 1, 2011 ^{2/}	100-299	2003
	300-599	2001
	600-749	2002
	750 and up	2006
June 1, 2012 ^{2/}	50-99	2004
	100-299	2003
	300-599	2001
	600-749	2002
	750 and up	2006

1/ Effective dates apply to Contractor diesel powered off-road equipment assigned to the contract.

2/ Effective dates apply to Contractor and subcontractor diesel powered off-road equipment assigned to the contract.

The retrofit emission control devices shall achieve a minimum PM emission reduction of 50 percent and shall be:

- a) Included on the U.S. Environmental Protection Agency (USEPA) *Verified Retrofit Technology List* (<http://www.epa.gov/cleandiesel/verification/verif-list.htm>), or verified by the California Air Resources Board (CARB) (<http://www.arb.ca.gov/diesel/verdev/vt/cvt.htm>); or
- b) Retrofitted with a non-verified diesel retrofit emission control device if verified retrofit emission control devices are not available for equipment proposed to be used on the project, and if the Contractor has obtained a performance certification from the retrofit

device manufacturer that the emission control device provides a minimum PM emission reduction of 50 percent.

Note: Large cranes (Crawler mounted cranes) which are responsible for critical lift operations are exempt from installing retrofit emission control devices if such devices adversely affect equipment operation.

Diesel powered off-road equipment with engine ratings of 50 hp and above, which are unable to be retrofitted with verified emission control devices or if performance certifications are not available which will achieve a minimum 50 percent PM reduction, may be granted a waiver by the Department if documentation is provided showing good faith efforts were made by the Contractor to retrofit the equipment.

Construction shall not proceed until the Contractor submits a certified list of the diesel powered off-road equipment that will be used, and as necessary, retrofitted with emission control devices. The list(s) shall include (1) the equipment number, type, make, Contractor/rental company name; and (2) the emission control devices make, model, USEPA or CARB verification number, or performance certification from the retrofit device manufacturer. Equipment reported as fitted with emissions control devices shall be made available to the Engineer for visual inspection of the device installation, prior to being used on the jobsite.

The Contractor shall submit an updated list of retrofitted off-road construction equipment as retrofitted equipment changes or comes on to the jobsite. The addition or deletion of any diesel powered equipment shall be included on the updated list.

If any diesel powered off-road equipment is found to be in non-compliance with any portion of this special provision, the Engineer will issue the Contractor a diesel retrofit deficiency deduction.

Any costs associated with retrofitting any diesel powered off-road equipment with emission control devices shall be considered as included in the contract unit prices bid for the various items of work involved and no additional compensation will be allowed. The Contractor's compliance with this notice and any associated regulations shall not be grounds for a claim.

Diesel Retrofit Deficiency Deduction

When the Engineer determines that a diesel retrofit deficiency exists, a daily monetary deduction will be imposed for each calendar day or fraction thereof the deficiency continues to exist. The calendar day(s) will begin when the time period for correction is exceeded and end with the Engineer's written acceptance of the correction. The daily monetary deduction will be \$1,000.00 for each deficiency identified.

The deficiency will be based on lack of diesel retrofit emissions control.

If a Contractor accumulates three diesel retrofit deficiency deductions for the same piece of equipment in a contract period, the Contractor will be shutdown until the deficiency is corrected.

Such a shutdown will not be grounds for any extension of the contract time, waiver of penalties, or be grounds for any claim.

80261

DISADVANTAGED BUSINESS ENTERPRISE PARTICIPATION (BDE)

Effective: September 1, 2000

Revised: March 2, 2019

FEDERAL OBLIGATION. The Department of Transportation, as a recipient of federal financial assistance, is required to take all necessary and reasonable steps to ensure nondiscrimination in the award and administration of contracts. Consequently, the federal regulatory provisions of 49 CFR Part 26 apply to this contract concerning the utilization of disadvantaged business enterprises. For the purposes of this Special Provision, a disadvantaged business enterprise (DBE) means a business certified by the Department in accordance with the requirements of 49 CFR Part 26 and listed in the Illinois Unified Certification Program (IL UCP) DBE Directory.

STATE OBLIGATION. This Special Provision will also be used by the Department to satisfy the requirements of the Business Enterprise for Minorities, Females, and Persons with Disabilities Act, 30 ILCS 575. When this Special Provision is used to satisfy state law requirements on 100 percent state-funded contracts, the federal government has no involvement in such contracts (not a federal-aid contract) and no responsibility to oversee the implementation of this Special Provision by the Department on those contracts. DBE participation on 100 percent state-funded contracts will not be credited toward fulfilling the Department's annual overall DBE goal required by the US Department of Transportation to comply with the federal DBE program requirements.

CONTRACTOR ASSURANCE. The Contractor makes the following assurance and agrees to include the assurance in each subcontract the Contractor signs with a subcontractor.

The Contractor, subrecipient, or subcontractor shall not discriminate on the basis of race, color, national origin, or sex in the performance of this contract. The Contractor shall carry out applicable requirements of 49 CFR Part 26 in the award and administration of contracts funded in whole or in part with federal or state funds. Failure by the Contractor to carry out these requirements is a material breach of this contract, which may result in the termination of this contract or such other remedy as the recipient deems appropriate, which may include, but is not limited to:

- (a) Withholding progress payments;
- (b) Assessing sanctions;
- (c) Liquidated damages; and/or
- (d) Disqualifying the Contractor from future bidding as non-responsible.

OVERALL GOAL SET FOR THE DEPARTMENT. As a requirement of compliance with 49 CFR Part 26, the Department has set an overall goal for DBE participation in its federally assisted contracts. That goal applies to all federal-aid funds the Department will expend in its federally assisted contracts for the subject reporting fiscal year. The Department is required to make a

good faith effort to achieve the overall goal. The dollar amount paid to all approved DBE companies performing work called for in this contract is eligible to be credited toward fulfillment of the Department's overall goal.

CONTRACT GOAL TO BE ACHIEVED BY THE CONTRACTOR. This contract includes a specific DBE utilization goal established by the Department. The goal has been included because the Department has determined the work of this contract has subcontracting opportunities that may be suitable for performance by DBE companies. The determination is based on an assessment of the type of work, the location of the work, and the availability of DBE companies to do a part of the work. The assessment indicates, in the absence of unlawful discrimination and in an arena of fair and open competition, DBE companies can be expected to perform 10.00 % of the work. This percentage is set as the DBE participation goal for this contract. Consequently, in addition to the other award criteria established for this contract, the Department will only award this contract to a bidder who makes a good faith effort to meet this goal of DBE participation in the performance of the work. A bidder makes a good faith effort for award consideration if either of the following is done in accordance with the procedures set for in this Special Provision:

- (a) The bidder documents enough DBE participation has been obtained to meet the goal or,
- (b) The bidder documents a good faith effort has been made to meet the goal, even though the effort did not succeed in obtaining enough DBE participation to meet the goal.

DBE LOCATOR REFERENCES. Bidders shall consult the IL UCP DBE Directory as a reference source for DBE-certified companies. In addition, the Department maintains a letting and item specific DBE locator information system whereby DBE companies can register their interest in providing quotes on particular bid items advertised for letting. Information concerning DBE companies willing to quote work for particular contracts may be obtained by contacting the Department's Bureau of Small Business Enterprises at telephone number (217) 785-4611, or by visiting the Department's website at:

<http://www.idot.illinois.gov/doing-business/certifications/disadvantaged-business-enterprise-certification/il-ucp-directory/index>.

BIDDING PROCEDURES. Compliance with this Special Provision is a material bidding requirement and failure of the bidder to comply will render the bid not responsive.

The bidder shall submit a DBE Utilization Plan (form SBE 2026), and a DBE Participation Statement (form SBE 2025) for each DBE company proposed for the performance of work to achieve the contract goal, with the bid. If the Utilization Plan indicates the contract goal will not be met, documentation of good faith efforts shall also be submitted. The documentation of good faith efforts must include copies of each DBE and non-DBE subcontractor quote submitted to the bidder when a non-DBE subcontractor is selected over a DBE for work on the contract. The required forms and documentation must be submitted as a single .pdf file using the "Integrated Contractor Exchange (iCX)" application within the Department's "EBids System".

The Department will not accept a Utilization Plan if it does not meet the bidding procedures set forth herein and the bid will be declared not responsive. In the event the bid is declared not responsive, the Department may elect to cause the forfeiture of the penal sum of the bidder's proposal guaranty and may deny authorization to bid the project if re-advertised for bids.

GOOD FAITH EFFORT PROCEDURES. The contract will not be awarded until the Utilization Plan is approved. All information submitted by the bidder must be complete, accurate and adequately document enough DBE participation has been obtained or document the good faith efforts of the bidder, in the event enough DBE participation has not been obtained, before the Department will commit to the performance of the contract by the bidder. The Utilization Plan will be approved by the Department if the Utilization Plan documents sufficient commercially useful DBE work to meet the contract goal or the bidder submits sufficient documentation of a good faith effort to meet the contract goal pursuant to 49 CFR Part 26, Appendix A. This means the bidder must show that all necessary and reasonable steps were taken to achieve the contract goal. Necessary and reasonable steps are those which, by their scope, intensity and appropriateness to the objective, could reasonably be expected to obtain sufficient DBE participation, even if they were not successful. The Department will consider the quality, quantity, and intensity of the kinds of efforts the bidder has made. Mere *pro forma* efforts, in other words efforts done as a matter of form, are not good faith efforts; rather, the bidder is expected to have taken genuine efforts that would be reasonably expected of a bidder actively and aggressively trying to obtain DBE participation sufficient to meet the contract goal.

- (a) The following is a list of types of action that the Department will consider as part of the evaluation of the bidder's good faith efforts to obtain participation. These listed factors are not intended to be a mandatory checklist and are not intended to be exhaustive. Other factors or efforts brought to the attention of the Department may be relevant in appropriate cases and will be considered by the Department.
 - (1) Soliciting through all reasonable and available means (e.g. attendance at pre-bid meetings, advertising and/or written notices) the interest of all certified DBE companies that have the capability to perform the work of the contract. The bidder must solicit this interest within sufficient time to allow the DBE companies to respond to the solicitation. The bidder must determine with certainty if the DBE companies are interested by taking appropriate steps to follow up initial solicitations.
 - (2) Selecting portions of the work to be performed by DBE companies in order to increase the likelihood that the DBE goals will be achieved. This includes, where appropriate, breaking out contract work items into economically feasible units to facilitate DBE participation, even when the Contractor might otherwise prefer to perform these work items with its own forces.
 - (3) Providing interested DBE companies with adequate information about the plans, specifications, and requirements of the contract in a timely manner to assist them in responding to a solicitation.

- (4) a. Negotiating in good faith with interested DBE companies. It is the bidder's responsibility to make a portion of the work available to DBE subcontractors and suppliers and to select those portions of the work or material needs consistent with the available DBE subcontractors and suppliers, so as to facilitate DBE participation. Evidence of such negotiation includes the names, addresses, and telephone numbers of DBE companies that were considered; a description of the information provided regarding the plans and specifications for the work selected for subcontracting; and evidence as to why additional agreements could not be reached for DBE companies to perform the work.
 - b. A bidder using good business judgment would consider a number of factors in negotiating with subcontractors, including DBE subcontractors, and would take a firm's price and capabilities as well as contract goals into consideration. However, the fact that there may be some additional costs involved in finding and using DBE companies is not in itself sufficient reason for a bidder's failure to meet the contract DBE goal, as long as such costs are reasonable. Also the ability or desire of a bidder to perform the work of a contract with its own organization does not relieve the bidder of the responsibility to make good faith efforts. Bidders are not, however, required to accept higher quotes from DBE companies if the price difference is excessive or unreasonable. In accordance with the above Bidding Procedures, the documentation of good faith efforts must include copies of each DBE and non-DBE subcontractor quote submitted to the bidder when a non-DBE subcontractor was selected over a DBE for work on the contract.
- (5) Not rejecting DBE companies as being unqualified without sound reasons based on a thorough investigation of their capabilities. The bidder's standing within its industry, membership in specific groups, organizations, or associations and political or social affiliations (for example union vs. non-union employee status) are not legitimate causes for the rejection or non-solicitation of bids in the bidder's efforts to meet the project goal.
 - (6) Making efforts to assist interested DBE companies in obtaining bonding, lines of credit, or insurance as required by the recipient or Contractor.
 - (7) Making efforts to assist interested DBE companies in obtaining necessary equipment, supplies, materials, or related assistance or services.
 - (8) Effectively using the services of available minority/women community organizations; minority/women contractors' groups; local, state, and federal minority/women business assistance offices; and other organizations as allowed on a case-by-case basis to provide assistance in the recruitment and placement of DBE companies.
- (b) If the Department determines the bidder has made a good faith effort to secure the work commitment of DBE companies to meet the contract goal, the Department will award the contract provided it is otherwise eligible for award. If the Department determines the

bidder has failed to meet the requirements of this Special Provision or that a good faith effort has not been made, the Department will notify the responsible company official designated in the Utilization Plan that the bid is not responsive. The notification will also include a statement of reasons for the adverse determination. If the Utilization Plan is not approved because it is deficient as a technical matter, unless waived by the Department, the bidder will be notified and will be allowed no more than a five calendar day period to cure the deficiency.

- (c) The bidder may request administrative reconsideration of an adverse determination by emailing the Department at "DOT.DBE.UP@illinois.gov" within the five calendar days after the receipt of the notification of the determination. The determination shall become final if a request is not made on or before the fifth calendar day. A request may provide additional written documentation or argument concerning the issues raised in the determination statement of reasons, provided the documentation and arguments address efforts made prior to submitting the bid. The request will be reviewed by the Department's Reconsideration Officer. The Reconsideration Officer will extend an opportunity to the bidder to meet in person to consider all issues of documentation and whether the bidder made a good faith effort to meet the goal. After the review by the Reconsideration Officer, the bidder will be sent a written decision within ten working days after receipt of the request for reconsideration, explaining the basis for finding that the bidder did or did not meet the goal or make adequate good faith efforts to do so. A final decision by the Reconsideration Officer that a good faith effort was made shall approve the Utilization Plan submitted by the bidder and shall clear the contract for award. A final decision that a good faith effort was not made shall render the bid not responsive.

CALCULATING DBE PARTICIPATION. The Utilization Plan values represent work anticipated to be performed and paid for upon satisfactory completion. The Department is only able to count toward the achievement of the overall goal and the contract goal the value of payments made for the work actually performed by DBE companies. In addition, a DBE must perform a commercially useful function on the contract to be counted. A commercially useful function is generally performed when the DBE is responsible for the work and is carrying out its responsibilities by actually performing, managing, and supervising the work involved. The Department and Contractor are governed by the provisions of 49 CFR Part 26.55(c) on questions of commercially useful functions as it affects the work. Specific counting guidelines are provided in 49 CFR Part 26.55, the provisions of which govern over the summary contained herein.

- (a) DBE as the Contractor: 100 percent goal credit for that portion of the work performed by the DBE's own forces, including the cost of materials and supplies. Work that a DBE subcontracts to a non-DBE does not count toward the DBE goals.
- (b) DBE as a joint venture Contractor: 100 percent goal credit for that portion of the total dollar value of the contract equal to the distinct, clearly defined portion of the work performed by the DBE's own forces.

- (c) DBE as a subcontractor: 100 percent goal credit for the work of the subcontract performed by the DBE's own forces, including the cost of materials and supplies, excluding the purchase of materials and supplies or the lease of equipment by the DBE subcontractor from the Contractor or its affiliates. Work that a DBE subcontractor in turn subcontracts to a non-DBE does not count toward the DBE goal.
- (d) DBE as a trucker: 100 percent goal credit for trucking participation provided the DBE is responsible for the management and supervision of the entire trucking operation for which it is responsible. At least one truck owned, operated, licensed, and insured by the DBE must be used on the contract. Credit will be given for the following:
 - (1) The DBE may lease trucks from another DBE firm, including an owner-operator who is certified as a DBE. The DBE who leases trucks from another DBE receives credit for the total value of the transportation services the lessee DBE provides on the contract.
 - (2) The DBE may also lease trucks from a non-DBE firm, including from an owner-operator. The DBE who leases trucks from a non-DBE is entitled to credit only for the fee or commission it receives as a result of the lease arrangement.
- (e) DBE as a material supplier:
 - (1) 60 percent goal credit for the cost of the materials or supplies purchased from a DBE regular dealer.
 - (2) 100 percent goal credit for the cost of materials or supplies obtained from a DBE manufacturer.
 - (3) 100 percent credit for the value of reasonable fees and commissions for the procurement of materials and supplies if not a DBE regular dealer or DBE manufacturer.

CONTRACT COMPLIANCE. Compliance with this Special Provision is an essential part of the contract. The Department is prohibited by federal regulations from crediting the participation of a DBE included in the Utilization Plan toward either the contract goal or the Department's overall goal until the amount to be applied toward the goals has been paid to the DBE. The following administrative procedures and remedies govern the compliance by the Contractor with the contractual obligations established by the Utilization Plan. After approval of the Utilization Plan and award of the contract, the Utilization Plan and individual DBE Participation Statements become part of the contract. If the Contractor did not succeed in obtaining enough DBE participation to achieve the advertised contract goal, and the Utilization Plan was approved and contract awarded based upon a determination of good faith, the total dollar value of DBE work calculated in the approved Utilization Plan as a percentage of the awarded contract value shall become the amended contract goal. All work indicated for performance by an approved DBE shall be performed, managed, and supervised by the DBE executing the DBE Participation Commitment Statement.

- (a) NO AMENDMENT. No amendment to the Utilization Plan may be made without prior written approval from the Department's Bureau of Small Business Enterprises. All requests for amendment to the Utilization Plan shall be emailed to the Department at DOT.DBE.UP@illinois.gov.
- (b) CHANGES TO WORK. Any deviation from the DBE condition-of-award or contract plans, specifications, or special provisions must be approved, in writing, by the Department as provided elsewhere in the Contract. The Contractor shall notify affected DBEs in writing of any changes in the scope of work which result in a reduction in the dollar amount condition-of-award to the contract. Where the revision includes work committed to a new DBE subcontractor, not previously involved in the project, then a Request for Approval of Subcontractor, Department form BC 260A or AER 260A, must be signed and submitted. If the commitment of work is in the form of additional tasks assigned to an existing subcontract, a new Request for Approval of Subcontractor will not be required. However, the Contractor must document efforts to assure the existing DBE subcontractor is capable of performing the additional work and has agreed in writing to the change.
- (c) SUBCONTRACT. The Contractor must provide copies of DBE subcontracts to the Department upon request. Subcontractors shall ensure that all lower tier subcontracts or agreements with DBEs to supply labor or materials be performed in accordance with this Special Provision.
- (d) ALTERNATIVE WORK METHODS. In addition to the above requirements for reductions in the condition of award, additional requirements apply to the two cases of Contractor-initiated work substitution proposals. Where the contract allows alternate work methods which serve to delete or create underruns in condition of award DBE work, and the Contractor selects that alternate method or, where the Contractor proposes a substitute work method or material that serves to diminish or delete work committed to a DBE and replace it with other work, then the Contractor must demonstrate one of the following:
- (1) The replacement work will be performed by the same DBE (as long as the DBE is certified in the respective item of work) in a modification of the condition of award; or
 - (2) The DBE is aware its work will be deleted or will experience underruns and has agreed in writing to the change. If this occurs, the Contractor shall substitute other work of equivalent value to a certified DBE or provide documentation of good faith efforts to do so; or
 - (3) The DBE is not capable of performing the replacement work or has declined to perform the work at a reasonable competitive price. If this occurs, the Contractor shall substitute other work of equivalent value to a certified DBE or provide documentation of good faith efforts to do so.

- (e) TERMINATION AND REPLACEMENT PROCEDURES. The Contractor shall not terminate or replace a DBE listed on the approved Utilization Plan, or perform with other forces work designated for a listed DBE except as provided in this Special Provision. The Contractor shall utilize the specific DBEs listed to perform the work and supply the materials for which each is listed unless the Contractor obtains the Department's written consent as provided in subsection (a) of this part. Unless Department consent is provided for termination of a DBE subcontractor, the Contractor shall not be entitled to any payment for work or material unless it is performed or supplied by the DBE in the Utilization Plan.

As stated above, the Contractor shall not terminate or replace a DBE subcontractor listed in the approved Utilization Plan without prior written consent. This includes, but is not limited to, instances in which the Contractor seeks to perform work originally designated for a DBE subcontractor with its own forces or those of an affiliate, a non-DBE firm, or with another DBE firm. Written consent will be granted only if the Bureau of Small Business Enterprises agrees, for reasons stated in its concurrence document, that the Contractor has good cause to terminate or replace the DBE firm. Before transmitting to the Bureau of Small Business Enterprises any request to terminate and/or substitute a DBE subcontractor, the Contractor shall give notice in writing to the DBE subcontractor, with a copy to the Bureau, of its intent to request to terminate and/or substitute, and the reason for the request. The Contractor shall give the DBE five days to respond to the Contractor's notice. The DBE so notified shall advise the Bureau and the Contractor of the reasons, if any, why it objects to the proposed termination of its subcontract and why the Bureau should not approve the Contractor's action. If required in a particular case as a matter of public necessity, the Bureau may provide a response period shorter than five days.

For purposes of this paragraph, good cause includes the following circumstances:

- (1) The listed DBE subcontractor fails or refuses to execute a written contract;
- (2) The listed DBE subcontractor fails or refuses to perform the work of its subcontract in a way consistent with normal industry standards. Provided, however, that good cause does not exist if the failure or refusal of the DBE subcontractor to perform its work on the subcontract results from the bad faith or discriminatory action of the Contractor;
- (3) The listed DBE subcontractor fails or refuses to meet the Contractor's reasonable, nondiscriminatory bond requirements;
- (4) The listed DBE subcontractor becomes bankrupt, insolvent, or exhibits credit unworthiness;
- (5) The listed DBE subcontractor is ineligible to work on public works projects because of suspension and debarment proceedings pursuant 2 CFR Parts 180, 215 and 1200 or applicable state law.

- (6) The Contractor has determined the listed DBE subcontractor is not a responsible contractor;
- (7) The listed DBE subcontractor voluntarily withdraws from the projects and provides written notice to the Contractor of its withdrawal;
- (8) The listed DBE is ineligible to receive DBE credit for the type of work required;
- (9) A DBE owner dies or becomes disabled with the result that the listed DBE subcontractor is unable to complete its work on the contract;
- (10) Other documented good cause that compels the termination of the DBE subcontractor. Provided, that good cause does not exist if the Contractor seeks to terminate a DBE it relied upon to obtain the contract so that the Contractor can self-perform the work for which the DBE contractor was engaged or so that the Contractor can substitute another DBE or non-DBE contractor after contract award.

When a DBE is terminated or fails to complete its work on the Contract for any reason, the Contractor shall make a good faith effort to find another DBE to substitute for the original DBE to perform at least the same amount of work under the contract as the terminated DBE to the extent needed to meet the established Contract goal. The good faith efforts shall be documented by the Contractor. If the Department requests documentation under this provision, the Contractor shall submit the documentation within seven days, which may be extended for an additional seven days if necessary at the request of the Contractor. The Department will provide a written determination to the Contractor stating whether or not good faith efforts have been demonstrated.

- (f) FINAL PAYMENT. After the performance of the final item of work or delivery of material by a DBE and final payment therefore to the DBE by the Contractor, but not later than 30 calendar days after payment has been made by the Department to the Contractor for such work or material, the Contractor shall submit a DBE Payment Agreement on Department form SBE 2115 to the Resident Engineer. If full and final payment has not been made to the DBE, the DBE Payment Agreement shall indicate whether a disagreement as to the payment required exists between the Contractor and the DBE or if the Contractor believes the work has not been satisfactorily completed. If the Contractor does not have the full amount of work indicated in the Utilization Plan performed by the DBE companies indicated in the Utilization Plan and after good faith efforts are reviewed, the Department may deduct from contract payments to the Contractor the amount of the goal not achieved as liquidated and ascertained damages. The Contractor may request an administrative reconsideration of any amount deducted as damages pursuant to subsection (h) of this part.
- (g) ENFORCEMENT. The Department reserves the right to withhold payment to the Contractor to enforce the provisions of this Special Provision. Final payment shall not be

made on the contract until such time as the Contractor submits sufficient documentation demonstrating achievement of the goal in accordance with this Special Provision or after liquidated damages have been determined and collected.

- (h) RECONSIDERATION. Notwithstanding any other provision of the contract, including but not limited to Article 109.09 of the Standard Specifications, the Contractor may request administrative reconsideration of a decision to deduct the amount of the goal not achieved as liquidated damages. A request to reconsider shall be delivered to the Contract Compliance Section and shall be handled and considered in the same manner as set forth in paragraph (c) of “Good Faith Effort Procedures” of this Special Provision, except a final decision that a good faith effort was not made during contract performance to achieve the goal agreed to in the Utilization Plan shall be the final administrative decision of the Department. The result of the reconsideration process is not administratively appealable to the U.S. Department of Transportation.

80029

LUMINAIRES, LED (BDE)

Effective: April 1, 2019

Revised: January 1, 2022

Description. This work shall consist of furnishing and installing light emitting diode (LED) luminaires. Work shall be according to Sections 801, 821, and 1067 of the Standard Specifications, except as modified herein.

Submittals. In addition to the requirements listed in Article 801.05(a), submittals for LED luminaires shall include the following.

- Completed manufacturer's luminaire ordering form with the full catalog number provided.
- Descriptive literature and catalog cuts for the luminaire, driver, and surge protective device.
- Lighting calculations generated with AGi32 software demonstrating compliance with the Luminaire Performance Table(s) shown in the contract. These calculations shall be performed to the following criteria: photopic units shall be used; calculations shall be performed to an accuracy matching the number of significant digits given in the Luminaire Performance Table(s); point-by-point illuminance, luminance, and veiling luminance ratios demonstrating the submitted luminaire meets the lighting metrics specified in the Luminaire Performance Table(s) using IES RP-8 methods.

Upon request by the Engineer, submittals for LED Luminaires shall also include any or all the following.

- IES file associated with each submitted luminaire in IES LM-63 format.
- TM-21 calculator spreadsheet (XLSX or PDF format) and if available, TM-28 report for the specified luminaire or luminaire family. Both reports shall be for 50,000 hours at an ambient temperature of 77 °F (25 °C).
- LM-79 report with National Voluntary Laboratory Accreditation Program (NVLAP) current at the time of testing in PDF format inclusive of the following: isofootcandle diagram with half candela contour and maximum candela point; polar plots through maximum plane and maximum cone; coefficient of utilization graph; candela table; and spectral distribution graph and chromaticity diagram.
- LM-80 report for the specified LED package in PDF format and if available, LM-84 report for the specified luminaire or luminaire family in PDF format. Both reports shall be conducted by a laboratory with NVLAP certification current at the time of testing.
- In Situ Temperature Measurement Test (ISTMT) report for the specified luminaire or luminaire family in PDF format.

- Vibration test report in accordance with ANSI C136.31 in PDF format.
- ASTM B117/ASTM D1654 (neutral salt spray) test and sample evaluation report in PDF format.
- ASTM G154 (ASTM D523) gloss test report in PDF format.
- LED drive current, total luminaire input wattage, and current over the operating voltage range at an ambient temperature of 77 °F (25 °C).
- Power factor (pf) and total harmonic distortion (THD) at maximum and minimum supply and at nominal voltage for the dimmed states of 70%, 50%, and 30% full power.
- Ingress protection (IP) test reports, conducted according to ANSI C136.25 requirements, for the driver and optical assembly in PDF format.
- Installation, maintenance, and cleaning instructions in PDF format, including recommendations on periodic cleaning methods.
- Documentation in PDF format that the reporting laboratory is certified to perform the required tests.

Roadway Luminaires. Revise Article 821.02(d) to read.

“(d) Light Source 1067.06”

Revise the third paragraph of Article 821.03 to read.

“Each luminaire driver and/or driver arrangement shall be checked to ensure compatibility with the project power supply.”

Replace the fifth paragraph of Article 821.03 with the following.

“No luminaire shall be installed before it is approved. When independent luminaire testing is required, full approval will not be given until complete test results which demonstrate compliance with the contract documents have been reviewed and accepted by the Engineer. Independent luminaire testing will be required, and shall be conducted, according to Article 1067.01(k)”.

Revise the last paragraph of Article 821.03 to read.

“When installing or adjusting the luminaire, care shall be taken to avoid touching the lenses or allowing contaminants to be deposited on any part of the optical assembly. Each lens shall be free of all dirt, smudges, etc. Should the luminaire require cleaning, the luminaire manufacturer’s cleaning instructions shall be strictly followed.”

Revise Article 821.08 to read.

“821.08 Basis of Payment. This work will be paid for at the contract unit price per each for LUMINAIRE, LED, ROADWAY, of the output designation specified; LUMINAIRE, LED, HIGHMAST, of the output designation specified; LUMINAIRE, LED, UNDERPASS, WALLMOUNT, of the output designation specified; LUMINAIRE, LED, UNDERPASS, SUSPENDED, of the output designation specified; LUMINAIRE, LED, SIGN LIGHTING, of the output designation specified.

Luminaires. Revise Articles 1067.01 through 1067.06 to read.

“1067.01 General. The size, weight, and shape of the luminaire shall be designed so as not to incite detrimental vibrations in its respective pole and it shall be compatible with the pole and arm. All electrical and electronic components of the luminaire shall comply with the requirements of Restriction of Hazardous Materials (RoHS) regulations. The luminaire shall be listed for wet locations by an NRTL and shall meet the requirements of UL 1598 and UL 8750.

- (a) Labels. An internal label shall be provided indicating the luminaire is suitable for wet locations and indicating the luminaire is an NRTL listed product to UL1598 and UL8750. The internal label shall also comply with the requirements of ANSI C136.22.

An external label consisting of two black characters on a white background with the dimensions of the label and the characters as specified in ANSI C136.15 for HPS luminaires. The first character shall be the alphabetical character representing the initial lumen output as specified in Table 1 of Article 1067.06(c). The second character shall be the numerical character representing the transverse light distribution type as specified in IES RP-8 (i.e. Types 1, 2, 3, 4, or 5).

- (b) Surge Protection. The luminaire shall comply the requirements of ANSI C136.2 for electrical transient immunity at the “Extreme” level (20KV/10KA) and shall be equipped with a surge protective device (SPD) that is UL1449 compliant with indicator light. An SPD failure shall open the circuit to protect the driver.
- (c) Optical Assembly. The optical assembly shall have an IP66 or higher rating in accordance with ANSI C136.25. The circuiting of the LED array shall be designed to minimize the effect of individual LED failures on the operation of other LEDs. All optical components shall be made of glass or a UV stabilized, non-yellowing material.
- (d) Housing. All external surfaces shall be cleaned in accordance with the manufacturer’s recommendations and be constructed in such a way as to discourage the accumulation of water, ice, and debris.
- (e) Driver. The driver shall be integral to the luminaire and shall be capable of receiving indefinite open and short circuit output conditions without damage.

The driver shall incorporate the use of thermal foldback circuitry to reduce output current under abnormal driver case temperature conditions and shall be rated for a lifetime of 100,000 hours at an ambient temperature exposure of 77 °F (25 °C) to the luminaire. If the driver has a thermal shut down feature, it shall not turn off the LEDs when operated at 104 °F (40 °C) or less.

The driver shall have an input voltage range of 120 to 277 volts ($\pm 10\%$) or 347 to 480 volts ($\pm 10\%$) according to the contract documents. When the driver is operating within the rated input voltage range and in an un-dimmed state, the power factor measurement shall be not less than 0.9 and the THD measurement shall be no greater than 20%.

The driver shall meet the requirements of the FCC Rules and Regulations, Title 47, Part 15 for Class A devices with regard to electromagnetic compatibility. This shall be confirmed through the testing methods in accordance with ANSI C63.4 for electromagnetic interference.

The driver shall be dimmable using the protocol listed in the Luminaire Performance Table shown in the contract.

- (f) Photometric Performance. The luminaire shall be IES LM-79 tested by a laboratory holding accreditation from the NVLAP for IES LM-79 testing procedures. At a minimum the LM-79 report shall include a backlight/uplight/glare (BUG) rating and a luminaire classification system (LCS) graph showing lumen values and percent lumens by zone as described in IES RP-8. The uplight of the BUG rating shall be U=0.

The luminaire shall also meet the requirements of the Luminaire Performance Table shown in the contract.

- (g) Finish. The luminaire shall have a baked acrylic enamel finish. The color of the finish shall be gray, bronze, or black to match the pole or tower on which the luminaire is mounted.

The finish shall have a rating of six or greater according to ASTM D1654, Section 8.0 Procedure A – Evaluation of Rust Creepage for Scribed Samples after exposure to 1000 hours of testing according to ASTM B117 for painted or finished surfaces under environmental exposure.

The luminaire finish shall have less than or equal to 30% reduction of gloss according to ASTM D523 after exposure of 500 hours to ASTM G154 Cycle 6 QUV® accelerated weathering testing.

- (h) Hardware. All hardware shall be stainless steel or of other corrosion resistant material approved by the Engineer.
- (i) Vibration Testing. All luminaires, with the exception of underpass and sign lighting luminaires, shall be subjected to and pass vibration testing requirements at “3G” minimum

zero to peak acceleration in accordance with ANSI C136.31 requirements using the same luminaire. To be accepted, the luminaire housing, hardware, and each individual component shall pass this test with no noticeable damage and the luminaire must remain fully operational after testing.

- (j) Wiring. All wiring in the luminaire shall be rated for operation at 600V, 221 °F (105 °C).
- (k) Independent Luminaire Testing. When a contract has 30 or more luminaires of the same manufacturer's catalog number, that luminaire shall be independently tested to verify it will meet the contract requirements. The quantity of luminaires requiring testing shall be one luminaire for the first 30 plus one additional luminaire for each additional 50 luminaires of that catalog number. Testing is not required for temporary lighting luminaires.

Prior to testing the Contractor shall propose a properly accredited laboratory and a qualified independent witness, submitting their qualifications to the Engineer for approval. After approval, the Contractor shall coordinate the testing and pay all associated costs, including travel expenses, for the independent witness.

- (1) Independent Witness. The independent witness shall select from the project luminaires at the manufacturer's facility the luminaires for testing. In all cases, the selection of luminaires shall be a random selection from the entire completed lot of luminaires required for the contract. Selections from partial lots will not be allowed. The independent witness shall mark each sample luminaire's shipping carton with the IDOT contract number and a unique sample identifier.

At the time of random selection, the independent witness shall inspect the luminaire(s) for compliance with all physical, mechanical, and labeling requirements for luminaires according to Sections 821 and 1067. If deficiencies are found during the physical inspection, the Contractor shall have all luminaires of that manufacturer's catalog number inspected for the identified deficiencies and shall correct the problem(s) where found. Random luminaire selection and physical inspection must then be repeated. When the physical inspection is successfully completed, the independent witness shall mark the project number and sample identifier on the interior housing and driver of the luminaires and have them shipped to the laboratory.

The independent witness shall be present when testing is approved to be performed by the luminaire manufacturer. If the tests are performed by a laboratory independent of the luminaire manufacturer, distributor, and Contractor, the independent witness need not be present during the testing.

- (2) Laboratory Testing. Luminaires shall be tested at an NVLAP accredited laboratory approved for each of the required tests. The testing shall include photometric, colorimetric, and electrical testing according to IES LM-79. Colorimetric values shall be determined from total spectral radiant flux measurements using a spectroradiometer. Photometric testing shall be according to IES recommendations and as a minimum, shall yield an isofootcandle chart, with max candela point and half

candela trace indicated, an isocandela diagram, maximum plane and maximum cone plots of candela, a candlepower table (house and street side), a coefficient of utilization chart, a luminous flux distribution table, BUG rating report, and complete calculations based on specified requirements and test results.

All testing shall cover the full spherical light output at a maximum of 5 degree intervals at the vertical angles. The vertical angles shall run from 0 to 180 degrees. There shall be a minimum of 40 lateral test planes listed in Fig. 1 of IES LM-31 plus the two planes containing the maximum candela on the left and right sides of the luminaire axis. Before testing, the luminaire when mounted on the goniometer shall be scanned for vertical and horizontal angles of maximum candela and these planes included in the test. The luminaire shall be checked for a bi-symmetric light distribution. Individual tests must be conducted for each hemisphere, quadrant, and left/right sides.

The results for each photometric and colorimetric test performed shall be presented in a standard IES LM-79 report that includes the contract number, sample identifier, and the outputs listed above. The calculated results for each sample luminaire shall meet or exceed the contract specified levels in the luminaire performance table(s). The laboratory shall mark its test identification number on the interior of each sample luminaire.

Electrical testing shall be in according to IES LM-79 as well as NEMA and ANSI standards. The report shall list luminaire characteristics including input amperes, watts, power factor, total harmonic distortion, and LED driver current for full and partial power.

- (3) Summary Test Report. The summary test report shall consist of a narrative documenting the test process, highlight any deficiencies and corrective actions, and clearly state which luminaires have met or exceeded the test requirements and may be released for delivery to the jobsite. Photographs shall also be used as applicable to document luminaire deficiencies and shall be included in the test report. The summary test report shall include the Luminaire Physical Inspection Checklist (form BDE 5650), photometric and electrical test reports, and point-by-point photometric calculations performed in AGi32 sorted by luminaire manufacturers catalog number. All test reports shall be certified by the independent test laboratory's authorized representative or the independent witness, as applicable, by a dated signature on the first page of each report. The summary test reports shall be delivered to the Engineer and the Contractor as an electronic submittal. Hard copy reports shall be delivered to the Engineer for record retention.
- (4) Approval of Independent Testing Results. Should any of the tested luminaires fail to satisfy the specifications and perform according to approved submittal information, all luminaires of that manufacturers catalog number shall be deemed unacceptable and shall be replaced by alternate equipment meeting the specifications. The submittal and testing process shall then be repeated in its entirety. The Contractor may request in writing that unacceptable luminaires be corrected in lieu of replacement. The

request shall identify the corrections to be made and upon approval of the request, the Contractor shall apply the corrections to the entire lot of unacceptable luminaires. Once the corrections are completed, the testing process shall be repeated, including selection of a new set of sample luminaires. The number of luminaires to be tested shall be the same quantity as originally tested.

The process of retesting, correcting, or replacing luminaires shall be repeated until luminaires for each manufacturer's catalog number are approved for the project. Corrections and re-testing shall not be grounds for additional compensation or extension of time. No luminaires shall be shipped from the manufacturer to the jobsite until all luminaire testing is completed and approved in writing.

Submittal information shall include a statement of intent to provide the testing as well as a request for approval of the chosen independent witness and laboratory. All summary test reports, written reports, and the qualifications of the independent witness and laboratory shall be submitted for approval to the Engineer with a copy to the Bureau of Design and Environment, 2300 S Dirksen Parkway, Room 330 Springfield, IL 62764.

1067.02 Roadway Luminaires. Roadway luminaires shall be according to Article 1067.01 and the following.

The luminaire shall be horizontally mounted and shall be designed to slip-fit on a 2-3/8 in. (60 mm) outside diameter pipe arm with a stop to limit the amount of insertion to 7 in. (180 mm). It shall not be necessary to remove or open more than the access door to mount the luminaire.

The effective projected area (EPA) of the luminaire shall not exceed 1.6 sq ft (0.149 sq m) and the weight, including accessories, shall not exceed 40 lb (18.14 kg). If the weight of the luminaire is less than 20 lb (9.07 kg), weight shall be added to the mounting arm or a supplemental vibration damper installed as approved by the Engineer.

The luminaire shall be equipped with both internal and external leveling indicators. The external leveling indicator shall be clearly visible in daylight to an observer directly under the luminaire at a mounting height of 50 ft (15.2 m).

The luminaire shall be fully prewired to accept a seven-pin, twist-lock receptacle that is compliant with ANSI C136.41. All receptacle pins shall be connected according to TALQ Consortium protocol.

The luminaire shall be provided with an installed shorting cap that is compliant with ANSI C136.10.

1067.03 Highmast Luminaires. Highmast luminaires shall be according to Article 1067.01 and the following.

The luminaire shall be horizontally mounted and shall be designed and manufactured for highmast tower use. The EPA of the luminaire shall not exceed 3.0 sq ft (0.279 sq m) and the weight, including accessories, shall not exceed 85 lb (38.6 kg).

The optical assembly shall be capable of being rotated 360 degrees. A vernier scale shall be furnished on the axis of rotation for aiming the luminaire in relation to its mounting tenon arm. The scale shall be graduated in 5 degree increments or less. The luminaire shall be clearly marked at the vernier as to 'house-side' and 'street-side' to allow proper luminaire orientation.

1067.04 Underpass Luminaires. Underpass luminaries shall be according to Article 1067.01 and the following.

The underpass luminaire shall be complete with all supports, hardware, and appurtenant mounting accessories. The underpass luminaire shall be suitable for lighting a roadway underpass at an approximate mounting height of 15 ft (4.5 m) from a position suspended directly above the roadway edge of pavement or attached to a wall or pier. The underpass luminaire shall meet the requirements of ANSI C136.27.

It shall not be necessary to remove more than the cover, reflector and lens to mount the luminaire. The unit shall be suitable for highway use and shall have no indentations or crevices in which dirt, salt, or other corrosives may collect.

- (a) Housing. The housing and lens frame shall be made of die cast aluminum or 16 gauge (1.5 mm) minimum thickness Type 304 stainless steel. All seams in the housing enclosure shall be welded by continuous welds.

The housing shall have an opening for installation of a 3/4 in. (19 mm) diameter conduit.

- (b) Lens and Lens Frame. The frame shall not overlap the housing when closed. The luminaire shall have a flat glass lens to protect the LEDs from dirt accumulation or be designed to prevent dirt accumulation. The optic assembly shall be rated IP 66 or higher.

1067.05 Sign Lighting Luminaires. Sign lighting luminaries shall be suitable for lighting overhead freeway and expressway guide signs; and shall be according to Article 1067.01.

1067.06 Light Sources. The light sources in all luminaires shall be LED according to Article 1067.01 and the following.

- (a) The light source shall be according to ANSI C136.37 for solid state light sources used in roadway and area lighting.
- (b) The light source shall have a minimum color rendering index (CRI) of 70 and a nominal correlated color temperature (CCT) of 4000 K.
- (c) The rated initial luminous flux (lumen output) of the light source, as installed in the luminaire, shall be according to the following table for each specified output designation.

Output Designations and Initial Luminous Flux		<i>(for information only)</i>
Output Designation	Initial Luminous Flux (lm)	Approximate High Pressure Sodium (HPS) Equivalent Wattage
A	2,200	35 (Low Output)
B	3,150	50 (Low Output)
C	4,400	70 (Low Output)
D	6,300	100 (Low Output)
E	9,450	150 (Low Output)
F	12,500	200 (Med Output)
G	15,500	250 (Med Output)
H	25,200	400 (Med Output)
I	47,250	750 (High Output)
J	63,300	1,000 (High Output)
K	80,000+	1,000+ (High Output)

Luminaires with an initial luminous flux less than or greater than the values listed in the above table may be acceptable if they meet the requirements given in the Luminaire Performance Table shown in the contract and approved by the Engineer.”

80411

PORTLAND CEMENT CONCRETE – HAUL TIME (BDE)

Effective: July 1, 2020

Revise Article 1020.11(a)(7) of the Standard Specifications to read:

“(7) Haul Time. Haul time shall begin when the delivery ticket is stamped. The delivery ticket shall be stamped no later than five minutes after the addition of the mixing water to the cement, or after the addition of the cement to the aggregate when the combined aggregates contain free moisture in excess of two percent by weight (mass). If more than one batch is required for charging a truck using a stationary mixer, the time of haul shall start with mixing of the first batch. Haul time shall end when the truck is emptied for incorporation of the concrete into the work. The maximum haul time shall be as follows.

Concrete Temperature at Point of Discharge, °F (°C)	Maximum Haul Time ^{1/} (minutes)	
	Truck Mixer or Truck Agitator	Nonagitator Truck
50 - 64 (10 - 17.5)	90	45
> 64 (> 17.5) - without retarder	60	30
> 64 (> 17.5) - with retarder	90	45

1/ To encourage start-up testing for mix adjustments at the plant, the first two trucks will be allowed an additional 15 minutes haul time whenever such testing is performed.

For a mixture which is not mixed on the jobsite, a delivery ticket shall be required for each load. The following information shall be recorded on each delivery ticket: (1) ticket number; (2) name of producer and plant location; (3) contract number; (4) name of Contractor; (5) stamped date and time batched; (6) truck number; (7) quantity batched; (8) amount of admixture(s) in the batch; (9) amount of water in the batch; and (10) Department mix design number.

For concrete mixed in jobsite stationary mixers, the above delivery ticket may be waived, but a method of verifying the haul time shall be established to the satisfaction of the Engineer.”

80430

SUBCONTRACTOR AND DBE PAYMENT REPORTING (BDE)

Effective: April 2, 2018

Add the following to Section 109 of the Standard Specifications.

“109.14 Subcontractor and Disadvantaged Business Enterprise Payment Reporting.
The Contractor shall report all payments made to the following parties:

- (a) first tier subcontractors;
- (b) lower tier subcontractors affecting disadvantaged business enterprise (DBE) goal credit;
- (c) material suppliers or trucking firms that are part of the Contractor’s submitted DBE utilization plan.

The report shall be made through the Department’s on-line subcontractor payment reporting system within 21 days of making the payment.”

80397

SUBCONTRACTOR MOBILIZATION PAYMENTS (BDE)

Effective: November 2, 2017

Revised: April 1, 2019

Replace the second paragraph of Article 109.12 of the Standard Specifications with the following:

“This mobilization payment shall be made at least seven days prior to the subcontractor starting work. The amount paid shall be at the following percentage of the amount of the subcontract reported on form BC 260A submitted for the approval of the subcontractor’s work.

Value of Subcontract Reported on Form BC 260A	Mobilization Percentage
Less than \$10,000	25%
\$10,000 to less than \$20,000	20%
\$20,000 to less than \$40,000	18%
\$40,000 to less than \$60,000	16%
\$60,000 to less than \$80,000	14%
\$80,000 to less than \$100,000	12%
\$100,000 to less than \$250,000	10%
\$250,000 to less than \$500,000	9%
\$500,000 to \$750,000	8%
Over \$750,000	7%”

80391

SURFACE TESTING OF PAVEMENTS – IRI (BDE)

Effective: January 1, 2021

Revised: January 1, 2022

Description. This work shall consist of testing the ride quality of the finished surface of pavements, according to Illinois Test Procedure 701, “Ride Quality Testing Using the International Roughness Index (IRI)”. Work shall be according to Sections 406, 407, or 420 of the Standard Specifications, except as modified herein.

Hot-Mix Asphalt (HMA) Overlays

Add Article 406.03(n) to the Standard Specifications:

“(n) Pavement Surface Grinding Equipment..... 1101.04”

Revise Article 406.11 of the Standard Specifications to read:

“406.11 Surface Tests. Prior to pavement improvements, the Engineer will measure the smoothness of the existing high-speed mainline pavement. The Contractor shall measure the smoothness of the finished high-speed mainline, low-speed mainline, and miscellaneous pavements within seven days of paving. Testing shall be performed in the presence of the Engineer and according to Illinois Test Procedure 701. The pavement will be identified as high-speed mainline, low-speed mainline, or miscellaneous as follows.

(a) Test Sections

- (1) High-Speed Mainline Pavement. High-speed mainline pavement shall consist of pavements, ramps, and loops with a posted speed limit greater than 45 mph. These sections shall be tested with an inertial profiling system (IPS).
- (2) Low-Speed Mainline Pavement. Low-speed mainline pavement shall consist of pavements, ramps, and loops with a posted speed limit of 45 mph or less. These sections shall be tested with an IPS and will be analyzed using the rolling 16 ft (5 m) straightedge simulation in ProVAL.
- (3) Miscellaneous Pavement. Miscellaneous pavement includes segments that either cannot readily be tested by an IPS or conditions beyond the control of the contractor preclude the achievement of smoothness levels typically achievable with mainline pavement construction. This may include the following examples or as determined by the Engineer.
 - (a) Pavement on horizontal curves with a centerline radius of curvature of less than or equal to 1,000 ft (300 m) and the pavement within the superelevation transition of such curves;

- (b) Pavement on vertical curves having a length less than or equal to 200 ft (60 m) in combination with an algebraic change in tangent grade greater than or equal to 3 percent as may occur on urban ramps or other constricted-space facilities;
- (c) The first and last 50 ft (15 m) of a pavement section where the Contractor is not responsible for the adjoining surface;
- (d) Intersections and the 25 ft (7.6 m) before and after an intersection or end of radius return;
- (e) Variable width pavements;
- (f) Side street returns, to the end of radius return;
- (g) Crossovers;
- (h) Connector pavement from the mainline pavement expansion joint to the bridge approach slab;
- (i) Bridge approach slab;
- (j) Pavement that must be constructed in multiple short segments, typically defined as 600 ft (180 m) or less;
- (k) Pavement within 25 ft (7.6 m) of manholes, utility structures, or other appurtenances;
- (l) Turn lanes; and
- (m) Pavement within 5 ft (1.5 m) of jobsite sampling locations for HMA volumetric testing that fall within the wheel path.

Miscellaneous pavement shall be tested using a 16 ft (5 m) straightedge.

- (4) International Roughness Index (IRI). An index computed from a longitudinal profile measurement using a quarter-car simulation at a simulation speed of 50 mph (80 km/h).
- (5) Mean Roughness Index (MRI). The average of the IRI values for the right and left wheel tracks.
- (6) Areas of Localized Roughness (ALR). Isolated areas of roughness, which can cause significant increase in the calculated MRI for a given subplot.

(7) Lot. A lot will be defined as a continuous strip of pavement 1 mile (1,600 m) long and one lane wide. When the length of a continuous strip of pavement is less than 1 mile (1,600 m), that pavement will be included in an adjacent lot. Structures will be omitted when measuring pavement length, but will not be considered as a discontinuity and the numbering of sublots will not restart. The limits of the structure shall include the entire length between the outside ends of both connector pavements.

(8) Sublot. Lots will be divided into 0.1 mile (160 m) sublots. A partial sublot greater than or equal to 264 ft (80 m) resulting from an interruption in the pavement will be subject to the same evaluation as a whole sublot. Partial sublots less than 264 ft (80 m) shall be included with the previous sublot for evaluation purposes.

(b) Corrective Work. Corrective work shall be completed according to the following.

(1) High-Speed Mainline Pavement. For high-speed mainline pavement, any 25 ft (7.6 m) interval with an ALR in excess of 150 in./mile (2,400 mm/km) will be identified by the Engineer and shall be corrected by the Contractor. Any sublot having a MRI greater than MRI_D , including ALR, shall be corrected to reduce the MRI to the MRI_F , or replaced at the Contractor's option.

(2) Low-Speed Mainline Pavement. Bumps in low-speed mainline pavement which exceed the 5/16 in. (8 mm) tolerance using a simulated 16 ft (5 m) straightedge will be identified by the Engineer and shall be corrected by the Contractor.

(3) Miscellaneous Pavements. Bumps in miscellaneous pavement which exceed the 5/16 in. (8 mm) tolerance on a 16 ft (5 m) straightedge will be identified by the Engineer and shall be corrected by the Contractor.

Corrective work shall be completed with pavement surface grinding equipment or by removing and replacing the pavement. Corrective work shall be applied to the full lane width. When completed, the corrected area shall have uniform texture and appearance, with the beginning and ending of the corrected area normal to the centerline of the paved surface.

Upon completion of the corrective work, the surface of the sublot(s) shall be retested. The Contractor shall furnish the data and reports to the Engineer within 2 working days after corrections are made. If the MRI and/or ALR still do not meet the requirements, additional corrective work shall be performed.

Corrective work shall be at no additional cost to the Department.

(c) Smoothness Assessments. Assessments will be paid to or deducted from the Contractor for each sublot of high-speed mainline pavement per the Smoothness Assessment Schedule. Assessments will be based on the MRI of each sublot prior to performing any corrective work unless the Contractor has chosen to remove and replace the sublot. For

sublots that are replaced, assessments will be based on the MRI determined after replacement.

The upper MRI thresholds for high-speed mainline pavement are dependent on the MRI of the existing pavement before construction (MRI_0) and shall be determined as follows.

Upper MRI Thresholds ^{1/}	MRI Thresholds (High-Speed, HMA Overlay)	
	$MRI_0 \leq 125.0$ in./mile ($\leq 1,975$ mm/km)	$MRI_0 > 125.0$ in./mile ^{1/} ($> 1,975$ mm/km)
Incentive (MRI_I)	45.0 in./mile (710 mm/km)	$0.2 \times MRI_0 + 20$
Full Pay (MRI_F)	75.0 in./mile (1,190 mm/km)	$0.2 \times MRI_0 + 50$
Disincentive (MRI_D)	100.0 in./mile (1,975 mm/km)	$0.2 \times MRI_0 + 75$

1/ MRI_0 , MRI_I , MRI_F , and MRI_D shall be in in./mile for calculation.

Smoothness assessments for high-speed mainline pavement shall be determined as follows.

SMOOTHNESS ASSESSMENT SCHEDULE (High-Speed, HMA Overlay)	
Mainline Pavement MRI Range	Assessment Per Sublot ^{1/}
$MRI \leq MRI_I$	$+ (MRI_I - MRI) \times \$33.00$ ^{2/}
$MRI_I < MRI \leq MRI_F$	$+ \$0.00$
$MRI_F < MRI \leq MRI_D$	$- (MRI - MRI_F) \times \$20.00$
$MRI > MRI_D$	$- \$500.00$

1/ MRI , MRI_I , MRI_F , and MRI_D shall be in in./mile for calculation.

2/ The maximum incentive amount shall not exceed \$500.00.

Smoothness assessments will not be paid or deducted until all other contract requirements for the pavement are satisfied. Pavement that is corrected or replaced for reasons other than smoothness, shall be retested as stated herein.”

Hot-Mix Asphalt (HMA) Pavement (Full-Depth)

Revise the first paragraph of Article 407.03 of the Standard Specifications to read:

“407.03 Equipment. Equipment shall be according to Article 406.03.”

Revise Article 407.09 of the Standard Specifications to read:

“407.09 Surface Tests. The finished surface of the pavement shall be tested for smoothness

according to Article 406.11, except as follows:

The testing of the existing pavement prior to improvements shall not apply and the smoothness assessment for high-speed mainline pavement shall be determined according to the following table.

SMOOTHNESS ASSESSMENT SCHEDULE (High-Speed, Full-Depth HMA)	
Mainline Pavement MRI, in./mile (mm/km)	Assessment Per Sublot ^{1/}
≤ 45.0 (710)	+ (45 – MRI) × \$80.00 ^{2/}
> 45.0 (710) to 75.0 (1,190)	+ \$0.00
> 75.0 (1,190) to 100.0 (1,580)	– (MRI – 75) × \$30.00
> 100.0 (1,580)	– \$750.00

1/ MRI shall be in in./mile for calculation.

2/ The maximum incentive amount shall not exceed \$1,200.00.”

Portland Cement Concrete Pavement

Delete Article 420.03(i) of the Standard Specifications.

Revise Article 420.03(j) of the Standard Specifications to read:

“(i) Coring Machine (Note 1)”

Revise Article 420.10 of the Standard Specifications to read:

“**420.10 Surface Tests.** The finished surface of the pavement shall be tested for smoothness according to Article 406.11, except as follows.

The testing of the existing pavement prior to improvements shall not apply. The Contractor shall measure the smoothness of the finished surface of the pavement after the pavement has attained a flexural strength of 250 psi (3,800 kPa) or a compressive strength of 1,600 psi (20,700 kPa).

Membrane curing damaged during testing shall be repaired as directed by the Engineer at no additional cost to the Department.

(a) Corrective Work. No further texturing for skid resistance will be required for areas corrected by grinding. Protective coat shall be reapplied to ground areas according to Article 420.18 at no additional cost to the Department.

Pavement corrected by removal and replacement, shall be corrected in full panel sizes.

- (b) Smoothness Assessments. Smoothness assessment for high-speed mainline pavement shall be determined as follows.

SMOOTHNESS ASSESSMENT SCHEDULE (High-Speed, PCC)	
Mainline Pavement MRI, in./mile (mm/km) ^{3/}	Assessment Per Sublot ^{1/}
≤ 45.0 (710)	+ (45 – MRI) × \$120.00 ^{2/}
> 45.0 (710) to 75.0 (1,190)	+ \$0.00
> 75.0 (1,190) to 100.0 (1,580)	– (MRI – 75) × \$45.00
> 100.0 (1,580)	– \$1,125.00

- 1/ MRI shall be in in./mile for calculation.
- 2/ The maximum incentive amount shall not exceed \$1,800.00.
- 3/ If pavement is constructed with traffic in the lane next to it, then an additional 10 in./mile will be added to the upper thresholds.”

Removal of Existing Pavement and Appurtenances

Revise the first paragraph of Article 440.04 of the Standard Specifications to read:

“**440.04 HMA Surface Removal for Subsequent Resurfacing.** The existing HMA surface shall be removed to the depth specified on the plans with a self-propelled milling machine. The removal depth may be varied slightly at the discretion of the Engineer to satisfy the smoothness requirements of the finished pavement. The temperature at which the work is performed, the nature and condition of the equipment, and the manner of performing the work shall be such that the milled surface is not torn, gouged, shoved or otherwise damaged by the milling operation. Sufficient cutting passes shall be made so that all irregularities or high spots are eliminated to the satisfaction of the Engineer. When tested with a 16 ft (5 m) straightedge, the milled surface shall have no surface variations in excess of 3/16 in. (5 mm).”

80435

TRAINING SPECIAL PROVISIONS (BDE) This Training Special Provision supersedes Section 7b of the Special Provision entitled "Specific Equal Employment Opportunity Responsibilities," and is in implementation of 23 U.S.C. 140(a).

As part of the contractor's equal employment opportunity affirmative action program, training shall be provided as follows:

The contractor shall provide on-the-job training aimed at developing full journeyman in the type of trade or job classification involved. The number of trainees to be trained under this contract will be 2 . In the event the contractor subcontracts a portion of the contract work, he shall determine how many, if any, of the trainees are to be trained by the subcontractor, provided however, that the contractor shall retain the primary responsibility for meeting the training requirements imposed by this special provision. The contractor shall also insure that this Training Special Provision is made applicable to such subcontract. Where feasible, 25 percent of apprentices or trainees in each occupation shall be in their first year of apprenticeship or training.

The number of trainees shall be distributed among the work classifications on the basis of the contractor's needs and the availability of journeymen in the various classifications within the reasonable area of recruitment. Prior to commencing construction, the contractor shall submit to the Illinois Department of Transportation for approval the number of trainees to be trained in each selected classification and training program to be used. Furthermore, the contractor shall specify the starting time for training in each of the classifications. The contractor will be credited for each trainee employed by him on the contract work who is currently enrolled or becomes enrolled in an approved program and will be reimbursed for such trainees as provided hereinafter.

Training and upgrading of minorities and women toward journeyman status is a primary objective of this Training Special Provision. Accordingly, the contractor shall make every effort to enroll minority trainees and women (e.g. by conducting systematic and direct recruitment through public and private sources likely to yield minority and women trainees) to the extent such persons are available within a reasonable area of recruitment. The contractor will be responsible for demonstrating the steps that he has taken in pursuance thereof, prior to a determination as to whether the contractor is in compliance with this Training Special Provision. This training commitment is not intended, and shall not be used, to discriminate against any applicant for training, whether a member of a minority group or not.

No employee shall be employed as a trainee in any classification in which he has successfully completed a training course leading to journeyman status or in which he has been employed as a journeyman. The contractor should satisfy this requirement by including appropriate questions in the employee application or by other suitable means. Regardless of the method used the contractor's records should document the findings in each case.

The minimum length and type of training for each classification will be as established in the training program selected by the contractor and approved by the Illinois Department of Transportation and the Federal Highway Administration. The Illinois Department of Transportation and the Federal Highway Administration shall approve a program, if it is reasonably calculated to meet the equal employment opportunity obligations of the contractor and to qualify the average trainee for journeyman status in the classification concerned by the end of the training period. Furthermore, apprenticeship programs registered with the U.S. Department of Labor, Bureau of Apprenticeship and Training, or with a State apprenticeship agency recognized by the Bureau and training programs approved by not necessarily sponsored by the U.S. Department of Labor, Manpower Administration, Bureau of Apprenticeship and Training shall also be considered acceptable provided it is being administered in a manner consistent with the equal employment obligations of Federal-aid highway construction contracts. Approval or acceptance of a training program shall be obtained from the State prior to commencing work on the classification covered by the program. It is the intention of these provisions that training is to be provided in the construction crafts rather than clerk-typists or secretarial-type positions. Training is permissible in lower level management positions such as office engineers, estimators, timekeepers, etc., where the training is oriented toward construction applications. Training in the laborer classification may be permitted provided that significant and meaningful training is provided and approved by the Illinois Department of Transportation and the Federal Highway Administration. Some offsite training is permissible as long as the training is an integral part of an approved training program and does not comprise a significant part of the overall training.

Except as otherwise noted below, the contractor will be reimbursed 80 cents per hour of training given an employee on this contract in accordance with an approved training program. As approved by the Engineer, reimbursement will be made for training of persons in excess of the number specified herein. This reimbursement will be made even though the contractor receives additional training program funds from other sources, provided such other source does not specifically prohibit the contractor from receiving other reimbursement. Reimbursement for offsite training indicated above may only be made to the contractor where he does one or more of the following and the trainees are concurrently employed on a Federal-aid project; contributes to the cost of the training, provides the instruction to the trainee or pays the trainee's wages during the offsite training period.

No payment shall be made to the contractor if either the failure to provide the required training, or the failure to hire the trainee as a journeyman, is caused by the contractor and evidences a lack of good faith on the part of the contractor in meeting the requirement of this Training Special Provision. It is normally expected that a trainee will begin his training on the project as soon as feasible after start of work utilizing the skill involved and remain on the project as long as training opportunities exist in his work classification or until he has completed his training program.

It is not required that all trainees be on board for the entire length of the contract. A contractor will have fulfilled his responsibilities under this Training Special Provision if he has provided acceptable training to the number of trainees specified. The number trained shall be determined on the basis of the total number enrolled on the contract for a significant period.

Trainees will be paid at least 60 percent of the appropriate minimum journeyman's rate specified in the contract for the first half of the training period, 75 percent for the third quarter of the training period, and 90 percent for the last quarter of the training period, unless apprentices or trainees in an approved existing program are enrolled as trainees on this project. In that case, the appropriate rates approved by the Departments of Labor or Transportation in connection with the existing program shall apply to all trainees being trained for the same classification who are covered by this Training Special Provision.

The contractor shall furnish the trainee a copy of the program he will follow in providing the training. The contractor shall provide each trainee with a certification showing the type and length of training satisfactorily complete.

The contractor will provide for the maintenance of records and furnish periodic reports documenting his performance under this Training Special Provision.

METHOD OF MEASUREMENT The unit of measurement is in hours.

BASIS OF PAYMENT This work will be paid for at the contract unit price of 80 cents per hour for TRAINEES. The estimated total number of hours, unit price and total price have been included in the schedule of prices.

20338

WEEKLY DBE TRUCKING REPORTS (BDE)

Effective: June 2, 2012

Revised: November 1, 2021

The Contractor shall submit a weekly report of Disadvantaged Business Enterprise (DBE) trucks hired by the Contractor or subcontractors (i.e. not owned by the Contractor or subcontractors) that are used for DBE goal credit.

The report shall be submitted to the Engineer on Department form "SBE 723" within ten business days following the reporting period. The reporting period shall be Sunday through Saturday for each week reportable trucking activities occur.

Any costs associated with providing weekly DBE trucking reports shall be considered as included in the contract unit prices bid for the various items of work involved and no additional compensation will be allowed.

80302

WORK ZONE TRAFFIC CONTROL DEVICES (BDE)

Effective: March 2, 2020

Add the following to Article 701.03 of the Standard Specifications:

“(q) Temporary Sign Supports 1106.02”

Revise the third paragraph of Article 701.14 of the Standard Specifications to read:

“For temporary sign supports, the Contractor shall provide a FHWA eligibility letter for each device used on the contract. The letter shall provide information for the set-up and use of the device as well as a detailed drawing of the device. The signs shall be supported within 20 degrees of vertical. Weights used to stabilize signs shall be attached to the sign support per the manufacturer’s specifications.”

Revise the first paragraph of Article 701.15 of the Standard Specifications to read:

“**701.15 Traffic Control Devices.** For devices that must meet crashworthiness standards, the Contractor shall provide a manufacturer’s self-certification or a FHWA eligibility letter for each Category 1 device and a FHWA eligibility letter for each Category 2 and Category 3 device used on the contract. The self-certification or letter shall provide information for the set-up and use of the device as well as a detailed drawing of the device.”

Revise the first six paragraphs of Article 1106.02 of the Standard Specifications to read:

“**1106.02 Devices.** Work zone traffic control devices and combinations of devices shall meet crashworthiness standards for their respective categories. The categories are as follows.

Category 1 includes small, lightweight, channelizing and delineating devices that have been in common use for many years and are known to be crashworthy by crash testing of similar devices or years of demonstrable safe performance. These include cones, tubular markers, plastic drums, and delineators, with no attachments (e.g. lights). Category 1 devices manufactured after December 31, 2019 shall be MASH-16 compliant. Category 1 devices manufactured on or before December 31, 2019, and compliant with NCHRP 350 or MASH 2009, may be used on contracts let before December 31, 2024.

Category 2 includes devices that are not expected to produce significant vehicular velocity change but may otherwise be hazardous. These include vertical panels with lights, barricades, temporary sign supports, and Category 1 devices with attachments (e.g. drums with lights). Category 2 devices manufactured after December 31, 2019 shall be MASH-16 compliant. Category 2 devices manufactured on or before December 31, 2019, and compliant with NCHRP 350 or MASH 2009, may be used on contracts let before December 31, 2024.

Category 3 includes devices that are expected to cause significant velocity changes or other potentially harmful reactions to impacting vehicles. These include crash cushions (impact

attenuators), truck mounted attenuators, and other devices not meeting the definitions of Category 1 or 2. Category 3 devices manufactured after December 31, 2019 shall be MASH-16 compliant. Category 3 devices manufactured on or before December 31, 2019, and compliant with NCHRP 350 or MASH 2009, may be used on contracts let before December 31, 2029. Category 3 devices shall be crash tested for Test Level 3 or the test level specified.

Category 4 includes portable or trailer-mounted devices such as arrow boards, changeable message signs, temporary traffic signals, and area lighting supports. It is preferable for Category 4 devices manufactured after December 31, 2019 to be MASH-16 compliant; however, there are currently no crash tested devices in this category, so it remains exempt from the NCHRP 350 or MASH compliance requirement.

For each type of device, when no more than one MASH-16 compliant is available, an NCHRP 350 or MASH-2009 compliant device may be used, even if manufactured after December 31, 2019.”

Revise Articles 1106.02(g), 1106.02(k), and 1106.02(l) to read:

“(g) Truck Mounted/Trailer Mounted Attenuators. The attenuator shall be approved for use at Test Level 3. Test Level 2 may be used for normal posted speeds less than or equal to 45 mph.

(k) Temporary Water Filled Barrier. The water filled barrier shall be a lightweight plastic shell designed to accept water ballast and be on the Department’s qualified product list.

Shop drawings shall be furnished by the manufacturer and shall indicate the deflection of the barrier as determined by acceptance testing; the configuration of the barrier in that test; and the vehicle weight, velocity, and angle of impact of the deflection test. The Engineer shall be provided one copy of the shop drawings.

(l) Movable Traffic Barrier. The movable traffic barrier shall be on the Department’s qualified product list.

Shop drawings shall be furnished by the manufacturer and shall indicate the deflection of the barrier as determined by acceptance testing; the configuration of the barrier in that test; and the vehicle weight, velocity, and angle of impact of the deflection test. The Engineer shall be provided one copy of the shop drawings. The barrier shall be capable of being moved on and off the roadway on a daily basis.”

80427

WORKING DAYS (BDE)

Effective: January 1, 2002

The Contractor shall complete the work within 150 working days.

80071

**REQUIRED CONTRACT PROVISIONS
FEDERAL-AID CONSTRUCTION CONTRACTS**

- I. General
- II. Nondiscrimination
- III. Nonsegregated Facilities
- IV. Davis-Bacon and Related Act Provisions
- V. Contract Work Hours and Safety Standards Act Provisions
- VI. Subletting or Assigning the Contract
- VII. Safety: Accident Prevention
- VIII. False Statements Concerning Highway Projects
- IX. Implementation of Clean Air Act and Federal Water Pollution Control Act
- X. Compliance with Governmentwide Suspension and Debarment Requirements
- XI. Certification Regarding Use of Contract Funds for Lobbying

ATTACHMENTS

A. Employment and Materials Preference for Appalachian Development Highway System or Appalachian Local Access Road Contracts (included in Appalachian contracts only)

I. GENERAL

1. Form FHWA-1273 must be physically incorporated in each construction contract funded under Title 23 (excluding emergency contracts solely intended for debris removal). The contractor (or subcontractor) must insert this form in each subcontract and further require its inclusion in all lower tier subcontracts (excluding purchase orders, rental agreements and other agreements for supplies or services).

The applicable requirements of Form FHWA-1273 are incorporated by reference for work done under any purchase order, rental agreement or agreement for other services. The prime contractor shall be responsible for compliance by any subcontractor, lower-tier subcontractor or service provider.

Form FHWA-1273 must be included in all Federal-aid design-build contracts, in all subcontracts and in lower tier subcontracts (excluding subcontracts for design services, purchase orders, rental agreements and other agreements for supplies or services). The design-builder shall be responsible for compliance by any subcontractor, lower-tier subcontractor or service provider.

Contracting agencies may reference Form FHWA-1273 in bid proposal or request for proposal documents, however, the Form FHWA-1273 must be physically incorporated (not referenced) in all contracts, subcontracts and lower-tier subcontracts (excluding purchase orders, rental agreements and other agreements for supplies or services related to a construction contract).

2. Subject to the applicability criteria noted in the following sections, these contract provisions shall apply to all work performed on the contract by the contractor's own organization and with the assistance of workers under the contractor's immediate superintendence and to all work performed on the contract by piecework, station work, or by subcontract.

3. A breach of any of the stipulations contained in these Required Contract Provisions may be sufficient grounds for withholding of progress payments, withholding of final payment, termination of the contract, suspension / debarment or any other action determined to be appropriate by the contracting agency and FHWA.

4. Selection of Labor: During the performance of this contract, the contractor shall not use convict labor for any purpose within the limits of a construction project on a Federal-aid highway unless it is labor

performed by convicts who are on parole, supervised release, or probation. The term Federal-aid highway does not include roadways functionally classified as local roads or rural minor collectors.

II. NONDISCRIMINATION

The provisions of this section related to 23 CFR Part 230 are applicable to all Federal-aid construction contracts and to all related construction subcontracts of \$10,000 or more. The provisions of 23 CFR Part 230 are not applicable to material supply, engineering, or architectural service contracts.

In addition, the contractor and all subcontractors must comply with the following policies: Executive Order 11246, 41 CFR 60, 29 CFR 1625-1627, Title 23 USC Section 140, the Rehabilitation Act of 1973, as amended (29 USC 794), Title VI of the Civil Rights Act of 1964, as amended, and related regulations including 49 CFR Parts 21, 26 and 27; and 23 CFR Parts 200, 230, and 633.

The contractor and all subcontractors must comply with: the requirements of the Equal Opportunity Clause in 41 CFR 60-1.4(b) and, for all construction contracts exceeding \$10,000, the Standard Federal Equal Employment Opportunity Construction Contract Specifications in 41 CFR 60-4.3.

Note: The U.S. Department of Labor has exclusive authority to determine compliance with Executive Order 11246 and the policies of the Secretary of Labor including 41 CFR 60, and 29 CFR 1625-1627. The contracting agency and the FHWA have the authority and the responsibility to ensure compliance with Title 23 USC Section 140, the Rehabilitation Act of 1973, as amended (29 USC 794), and Title VI of the Civil Rights Act of 1964, as amended, and related regulations including 49 CFR Parts 21, 26 and 27; and 23 CFR Parts 200, 230, and 633.

The following provision is adopted from 23 CFR 230, Appendix A, with appropriate revisions to conform to the U.S. Department of Labor (US DOL) and FHWA requirements.

1. Equal Employment Opportunity: Equal employment opportunity (EEO) requirements not to discriminate and to take affirmative action to assure equal opportunity as set forth under laws, executive orders, rules, regulations (28 CFR 35, 29 CFR 1630, 29 CFR 1625-1627, 41 CFR 60 and 49 CFR 27) and orders of the Secretary of Labor as modified by the provisions prescribed herein, and imposed pursuant to 23 U.S.C. 140 shall constitute the EEO and specific affirmative action standards for the contractor's project activities under this contract. The provisions of the Americans with Disabilities Act of 1990 (42 U.S.C. 12101 et seq.) set forth under 28 CFR 35 and 29 CFR 1630 are incorporated by reference in this contract. In the execution of this contract, the contractor agrees to comply with the following minimum specific requirement activities of EEO:

a. The contractor will work with the contracting agency and the Federal Government to ensure that it has made every good faith effort to provide equal opportunity with respect to all of its terms and conditions of employment and in their review of activities under the contract.

b. The contractor will accept as its operating policy the following statement:

"It is the policy of this Company to assure that applicants are employed, and that employees are treated during employment, without regard to their race, religion, sex, color, national origin, age or disability. Such action shall include: employment, upgrading, demotion, or transfer; recruitment or recruitment advertising; layoff or termination; rates of pay or other forms of compensation; and selection

for training, including apprenticeship, pre-apprenticeship, and/or on-the-job training."

2. EEO Officer: The contractor will designate and make known to the contracting officers an EEO Officer who will have the responsibility for and must be capable of effectively administering and promoting an active EEO program and who must be assigned adequate authority and responsibility to do so.

3. Dissemination of Policy: All members of the contractor's staff who are authorized to hire, supervise, promote, and discharge employees, or who recommend such action, or who are substantially involved in such action, will be made fully cognizant of, and will implement, the contractor's EEO policy and contractual responsibilities to provide EEO in each grade and classification of employment. To ensure that the above agreement will be met, the following actions will be taken as a minimum:

a. Periodic meetings of supervisory and personnel office employees will be conducted before the start of work and then not less often than once every six months, at which time the contractor's EEO policy and its implementation will be reviewed and explained. The meetings will be conducted by the EEO Officer.

b. All new supervisory or personnel office employees will be given a thorough indoctrination by the EEO Officer, covering all major aspects of the contractor's EEO obligations within thirty days following their reporting for duty with the contractor.

c. All personnel who are engaged in direct recruitment for the project will be instructed by the EEO Officer in the contractor's procedures for locating and hiring minorities and women.

d. Notices and posters setting forth the contractor's EEO policy will be placed in areas readily accessible to employees, applicants for employment and potential employees.

e. The contractor's EEO policy and the procedures to implement such policy will be brought to the attention of employees by means of meetings, employee handbooks, or other appropriate means.

4. Recruitment: When advertising for employees, the contractor will include in all advertisements for employees the notation: "An Equal Opportunity Employer." All such advertisements will be placed in publications having a large circulation among minorities and women in the area from which the project work force would normally be derived.

a. The contractor will, unless precluded by a valid bargaining agreement, conduct systematic and direct recruitment through public and private employee referral sources likely to yield qualified minorities and women. To meet this requirement, the contractor will identify sources of potential minority group employees, and establish with such identified sources procedures whereby minority and women applicants may be referred to the contractor for employment consideration.

b. In the event the contractor has a valid bargaining agreement providing for exclusive hiring hall referrals, the contractor is expected to observe the provisions of that agreement to the extent that the system meets the contractor's compliance with EEO contract provisions. Where implementation of such an agreement has the effect of discriminating against minorities or women, or obligates the contractor to do the same, such implementation violates Federal nondiscrimination provisions.

c. The contractor will encourage its present employees to refer minorities and women as applicants for employment. Information and procedures with regard to referring such applicants will be discussed with employees.

5. Personnel Actions: Wages, working conditions, and employee benefits shall be established and administered, and personnel actions of every type, including hiring, upgrading, promotion, transfer, demotion, layoff, and termination, shall be taken without regard to race, color, religion, sex, national origin, age or disability. The following procedures shall be followed:

a. The contractor will conduct periodic inspections of project sites to insure that working conditions and employee facilities do not indicate discriminatory treatment of project site personnel.

b. The contractor will periodically evaluate the spread of wages paid within each classification to determine any evidence of discriminatory wage practices.

c. The contractor will periodically review selected personnel actions in depth to determine whether there is evidence of discrimination. Where evidence is found, the contractor will promptly take corrective action. If the review indicates that the discrimination may extend beyond the actions reviewed, such corrective action shall include all affected persons.

d. The contractor will promptly investigate all complaints of alleged discrimination made to the contractor in connection with its obligations under this contract, will attempt to resolve such complaints, and will take appropriate corrective action within a reasonable time. If the investigation indicates that the discrimination may affect persons other than the complainant, such corrective action shall include such other persons. Upon completion of each investigation, the contractor will inform every complainant of all of their avenues of appeal.

6. Training and Promotion:

a. The contractor will assist in locating, qualifying, and increasing the skills of minorities and women who are applicants for employment or current employees. Such efforts should be aimed at developing full journey level status employees in the type of trade or job classification involved.

b. Consistent with the contractor's work force requirements and as permissible under Federal and State regulations, the contractor shall make full use of training programs, i.e., apprenticeship, and on-the-job training programs for the geographical area of contract performance. In the event a special provision for training is provided under this contract, this subparagraph will be superseded as indicated in the special provision. The contracting agency may reserve training positions for persons who receive welfare assistance in accordance with 23 U.S.C. 140(a).

c. The contractor will advise employees and applicants for employment of available training programs and entrance requirements for each.

d. The contractor will periodically review the training and promotion potential of employees who are minorities and women and will encourage eligible employees to apply for such training and promotion.

7. Unions: If the contractor relies in whole or in part upon unions as a source of employees, the contractor will use good faith efforts to obtain the cooperation of such unions to increase opportunities for minorities and women. Actions by the contractor, either directly or through a contractor's association acting as agent, will include the procedures set forth below:

a. The contractor will use good faith efforts to develop, in cooperation with the unions, joint training programs aimed toward qualifying more minorities and women for membership in the unions and increasing the skills of minorities and women so that they may qualify for higher paying employment.

b. The contractor will use good faith efforts to incorporate an EEO clause into each union agreement to the end that such union will be contractually bound to refer applicants without regard to their race, color, religion, sex, national origin, age or disability.

c. The contractor is to obtain information as to the referral practices and policies of the labor union except that to the extent such information is within the exclusive possession of the labor union and such labor union refuses to furnish such information to the contractor, the contractor shall so certify to the contracting agency and shall set forth what efforts have been made to obtain such information.

d. In the event the union is unable to provide the contractor with a reasonable flow of referrals within the time limit set forth in the collective bargaining agreement, the contractor will, through independent recruitment efforts, fill the employment vacancies without regard to race, color, religion, sex, national origin, age or disability; making full efforts to obtain qualified and/or qualifiable minorities and women. The failure of a union to provide sufficient referrals (even though it is obligated to provide exclusive referrals under the terms of a collective bargaining agreement) does not relieve the contractor from the requirements of this paragraph. In the event the union referral practice prevents the contractor from meeting the obligations pursuant to Executive Order 11246, as amended, and these special provisions, such contractor shall immediately notify the contracting agency.

8. Reasonable Accommodation for Applicants / Employees with Disabilities: The contractor must be familiar with the requirements for and comply with the Americans with Disabilities Act and all rules and regulations established there under. Employers must provide reasonable accommodation in all employment activities unless to do so would cause an undue hardship.

9. Selection of Subcontractors, Procurement of Materials and Leasing of Equipment: The contractor shall not discriminate on the grounds of race, color, religion, sex, national origin, age or disability in the selection and retention of subcontractors, including procurement of materials and leases of equipment. The contractor shall take all necessary and reasonable steps to ensure nondiscrimination in the administration of this contract.

a. The contractor shall notify all potential subcontractors and suppliers and lessors of their EEO obligations under this contract.

b. The contractor will use good faith efforts to ensure subcontractor compliance with their EEO obligations.

10. Assurance Required by 49 CFR 26.13(b):

a. The requirements of 49 CFR Part 26 and the State DOT's U.S. DOT-approved DBE program are incorporated by reference.

b. The contractor or subcontractor shall not discriminate on the basis of race, color, national origin, or sex in the performance of this contract. The contractor shall carry out applicable requirements of 49 CFR Part 26 in the award and administration of DOT-assisted contracts. Failure by the contractor to carry out these requirements is a material breach of this contract, which may result in the termination of this contract or such other remedy as the contracting agency deems appropriate.

11. Records and Reports: The contractor shall keep such records as necessary to document compliance with the EEO requirements. Such records shall be retained for a period of three years following the date of the final payment to the contractor for all contract work and shall be available at reasonable times and places for inspection by authorized representatives of the contracting agency and the FHWA.

a. The records kept by the contractor shall document the following:

(1) The number and work hours of minority and non-minority group members and women employed in each work classification on the project;

(2) The progress and efforts being made in cooperation with unions, when applicable, to increase employment opportunities for minorities and women; and

(3) The progress and efforts being made in locating, hiring, training, qualifying, and upgrading minorities and women;

b. The contractors and subcontractors will submit an annual report to the contracting agency each July for the duration of the project, indicating the number of minority, women, and non-minority group employees currently engaged in each work classification required by the contract work. This information is to be reported on [Form FHWA-1391](#).

The staffing data should represent the project work force on board in all or any part of the last payroll period preceding the end of July. If on-the-job training is being required by special provision, the contractor will be required to collect and report training data. The employment data should reflect the work force on board during all or any part of the last payroll period preceding the end of July.

III. NONSEGREGATED FACILITIES

This provision is applicable to all Federal-aid construction contracts and to all related construction subcontracts of \$10,000 or more.

The contractor must ensure that facilities provided for employees are provided in such a manner that segregation on the basis of race, color, religion, sex, or national origin cannot result. The contractor may neither require such segregated use by written or oral policies nor tolerate such use by employee custom. The contractor's obligation extends further to ensure that its employees are not assigned to perform their services at any location, under the contractor's control, where the facilities are segregated. The term "facilities" includes waiting rooms, work areas, restaurants and other eating areas, time clocks, restrooms, washrooms, locker rooms, and other storage or dressing areas, parking lots, drinking fountains, recreation or entertainment areas, transportation, and housing provided for employees. The contractor shall provide separate or single-user restrooms and necessary dressing or sleeping areas to assure privacy between sexes.

IV. DAVIS-BACON AND RELATED ACT PROVISIONS

This section is applicable to all Federal-aid construction projects exceeding \$2,000 and to all related subcontracts and lower-tier subcontracts (regardless of subcontract size). The requirements apply to all projects located within the right-of-way of a roadway that is functionally classified as Federal-aid highway. This excludes roadways functionally classified as local roads or rural minor collectors, which are exempt. Contracting agencies may elect to apply these requirements to other projects.

The following provisions are from the U.S. Department of Labor regulations in 29 CFR 5.5 "Contract provisions and related matters" with minor revisions to conform to the FHWA-1273 format and FHWA program requirements.

1. Minimum wages

a. All laborers and mechanics employed or working upon the site of the work, will be paid unconditionally and not less often than once a week, and without subsequent deduction or rebate on any account (except such payroll deductions as are permitted by regulations issued by the Secretary of Labor under the Copeland Act (29 CFR part 3)), the full amount of wages and bona fide fringe benefits (or cash equivalents thereof) due at time of payment computed at rates not less than those contained in the wage determination of the Secretary of Labor which is attached hereto and made a part hereof, regardless of any contractual relationship which may be alleged to exist between the contractor and such laborers and mechanics.

Contributions made or costs reasonably anticipated for bona fide fringe benefits under section 1(b)(2) of the Davis-Bacon Act on behalf of laborers or mechanics are considered wages paid to such laborers or mechanics, subject to the provisions of paragraph 1.d. of this section; also, regular contributions made or costs incurred for more than a weekly period (but not less often than quarterly) under plans, funds, or programs which cover the particular weekly period, are deemed to be constructively made or incurred during such weekly period. Such laborers and mechanics shall be paid the appropriate wage rate and fringe benefits on the wage determination for the classification of work actually performed, without regard to skill, except as provided in 29 CFR 5.5(a)(4). Laborers or mechanics performing work in more than one classification may be compensated at the rate specified for each

classification for the time actually worked therein: Provided, That the employer's payroll records accurately set forth the time spent in each classification in which work is performed. The wage determination (including any additional classification and wage rates conformed under paragraph 1.b. of this section) and the Davis-Bacon poster (WH-1321) shall be posted at all times by the contractor and its subcontractors at the site of the work in a prominent and accessible place where it can be easily seen by the workers.

b. (1) The contracting officer shall require that any class of laborers or mechanics, including helpers, which is not listed in the wage determination and which is to be employed under the contract shall be classified in conformance with the wage determination. The contracting officer shall approve an additional classification and wage rate and fringe benefits therefore only when the following criteria have been met:

(i) The work to be performed by the classification requested is not performed by a classification in the wage determination; and

(ii) The classification is utilized in the area by the construction industry; and

(iii) The proposed wage rate, including any bona fide fringe benefits, bears a reasonable relationship to the wage rates contained in the wage determination.

(2) If the contractor and the laborers and mechanics to be employed in the classification (if known), or their representatives, and the contracting officer agree on the classification and wage rate (including the amount designated for fringe benefits where appropriate), a report of the action taken shall be sent by the contracting officer to the Administrator of the Wage and Hour Division, Employment Standards Administration, U.S. Department of Labor, Washington, DC 20210. The Administrator, or an authorized representative, will approve, modify, or disapprove every additional classification action within 30 days of receipt and so advise the contracting officer or will notify the contracting officer within the 30-day period that additional time is necessary.

(3) In the event the contractor, the laborers or mechanics to be employed in the classification or their representatives, and the contracting officer do not agree on the proposed classification and wage rate (including the amount designated for fringe benefits, where appropriate), the contracting officer shall refer the questions, including the views of all interested parties and the recommendation of the contracting officer, to the Wage and Hour Administrator for determination. The Wage and Hour Administrator, or an authorized representative, will issue a determination within 30 days of receipt and so advise the contracting officer or will notify the contracting officer within the 30-day period that additional time is necessary.

(4) The wage rate (including fringe benefits where appropriate) determined pursuant to paragraphs 1.b.(2) or 1.b.(3) of this section, shall be paid to all workers performing work in the classification under this contract from the first day on which work is performed in the classification.

c. Whenever the minimum wage rate prescribed in the contract for a class of laborers or mechanics includes a fringe benefit which is not expressed as an hourly rate, the contractor shall either pay the benefit as stated in the wage determination or shall pay another bona fide fringe benefit or an hourly cash equivalent thereof.

d. If the contractor does not make payments to a trustee or other third person, the contractor may consider as part of the wages of any laborer or mechanic the amount of any costs reasonably anticipated in providing bona fide fringe benefits under a plan or program, Provided, That the Secretary of Labor has found, upon the written request of the contractor, that the applicable standards of the Davis-Bacon Act have been met. The Secretary of Labor may require the contractor to set aside in a

separate account assets for the meeting of obligations under the plan or program.

2. Withholding

The contracting agency shall upon its own action or upon written request of an authorized representative of the Department of Labor, withhold or cause to be withheld from the contractor under this contract, or any other Federal contract with the same prime contractor, or any other federally-assisted contract subject to Davis-Bacon prevailing wage requirements, which is held by the same prime contractor, so much of the accrued payments or advances as may be considered necessary to pay laborers and mechanics, including apprentices, trainees, and helpers, employed by the contractor or any subcontractor the full amount of wages required by the contract. In the event of failure to pay any laborer or mechanic, including any apprentice, trainee, or helper, employed or working on the site of the work, all or part of the wages required by the contract, the contracting agency may, after written notice to the contractor, take such action as may be necessary to cause the suspension of any further payment, advance, or guarantee of funds until such violations have ceased.

3. Payrolls and basic records

a. Payrolls and basic records relating thereto shall be maintained by the contractor during the course of the work and preserved for a period of three years thereafter for all laborers and mechanics working at the site of the work. Such records shall contain the name, address, and social security number of each such worker, his or her correct classification, hourly rates of wages paid (including rates of contributions or costs anticipated for bona fide fringe benefits or cash equivalents thereof of the types described in section 1(b)(2)(B) of the Davis-Bacon Act), daily and weekly number of hours worked, deductions made and actual wages paid. Whenever the Secretary of Labor has found under 29 CFR 5.5(a)(1)(iv) that the wages of any laborer or mechanic include the amount of any costs reasonably anticipated in providing benefits under a plan or program described in section 1(b)(2)(B) of the Davis-Bacon Act, the contractor shall maintain records which show that the commitment to provide such benefits is enforceable, that the plan or program is financially responsible, and that the plan or program has been communicated in writing to the laborers or mechanics affected, and records which show the costs anticipated or the actual cost incurred in providing such benefits. Contractors employing apprentices or trainees under approved programs shall maintain written evidence of the registration of apprenticeship programs and certification of trainee programs, the registration of the apprentices and trainees, and the ratios and wage rates prescribed in the applicable programs.

b. (1) The contractor shall submit weekly for each week in which any contract work is performed a copy of all payrolls to the contracting agency. The payrolls submitted shall set out accurately and completely all of the information required to be maintained under 29 CFR 5.5(a)(3)(i), except that full social security numbers and home addresses shall not be included on weekly transmittals. Instead the payrolls shall only need to include an individually identifying number for each employee (e.g. , the last four digits of the employee's social security number). The required weekly payroll information may be submitted in any form desired. Optional Form WH-347 is available for this purpose from the Wage and Hour Division Web site at <http://www.dol.gov/esa/whd/forms/wh347instr.htm> or its successor site. The prime contractor is responsible for the submission of copies of payrolls by all subcontractors. Contractors and subcontractors shall maintain the full social security number and current address of each covered worker, and shall provide them upon request to the contracting agency for transmission to the State DOT, the FHWA or the Wage and Hour Division of the Department of Labor for purposes of an investigation or audit of compliance with prevailing wage requirements. It is not a violation of this section for a prime contractor to require a subcontractor to provide addresses and social security numbers to the prime contractor for its own records, without weekly submission to the contracting agency..

(2) Each payroll submitted shall be accompanied by a "Statement of Compliance," signed by the contractor or subcontractor or his or her agent who pays or supervises the payment of the persons employed under the contract and shall certify the following:

(i) That the payroll for the payroll period contains the information required to be provided under §5.5 (a)(3)(ii) of Regulations, 29 CFR part 5, the appropriate information is being maintained under §5.5 (a)(3)(i) of Regulations, 29 CFR part 5, and that such information is correct and complete;

(ii) That each laborer or mechanic (including each helper, apprentice, and trainee) employed on the contract during the payroll period has been paid the full weekly wages earned, without rebate, either directly or indirectly, and that no deductions have been made either directly or indirectly from the full wages earned, other than permissible deductions as set forth in Regulations, 29 CFR part 3;

(iii) That each laborer or mechanic has been paid not less than the applicable wage rates and fringe benefits or cash equivalents for the classification of work performed, as specified in the applicable wage determination incorporated into the contract.

(3) The weekly submission of a properly executed certification set forth on the reverse side of Optional Form WH-347 shall satisfy the requirement for submission of the "Statement of Compliance" required by paragraph 3.b.(2) of this section.

(4) The falsification of any of the above certifications may subject the contractor or subcontractor to civil or criminal prosecution under section 1001 of title 18 and section 231 of title 31 of the United States Code.

c. The contractor or subcontractor shall make the records required under paragraph 3.a. of this section available for inspection, copying, or transcription by authorized representatives of the contracting agency, the State DOT, the FHWA, or the Department of Labor, and shall permit such representatives to interview employees during working hours on the job. If the contractor or subcontractor fails to submit the required records or to make them available, the FHWA may, after written notice to the contractor, the contracting agency or the State DOT, take such action as may be necessary to cause the suspension of any further payment, advance, or guarantee of funds. Furthermore, failure to submit the required records upon request or to make such records available may be grounds for debarment action pursuant to 29 CFR 5.12.

4. Apprentices and trainees

a. Apprentices (programs of the USDOL).

Apprentices will be permitted to work at less than the predetermined rate for the work they performed when they are employed pursuant to and individually registered in a bona fide apprenticeship program registered with the U.S. Department of Labor, Employment and Training Administration, Office of Apprenticeship Training, Employer and Labor Services, or with a State Apprenticeship Agency recognized by the Office, or if a person is employed in his or her first 90 days of probationary employment as an apprentice in such an apprenticeship program, who is not individually registered in the program, but who has been certified by the Office of Apprenticeship Training, Employer and Labor Services or a State Apprenticeship Agency (where appropriate) to be eligible for probationary employment as an apprentice.

The allowable ratio of apprentices to journeymen on the job site in any craft classification shall not be greater than the ratio permitted to the contractor as to the entire work force under the registered program. Any worker listed on a payroll at an apprentice wage rate, who is not registered or otherwise employed as stated above, shall be paid not less than the applicable wage rate on the wage determination for the classification of work actually performed. In addition, any apprentice

performing work on the job site in excess of the ratio permitted under the registered program shall be paid not less than the applicable wage rate on the wage determination for the work actually performed. Where a contractor is performing construction on a project in a locality other than that in which its program is registered, the ratios and wage rates (expressed in percentages of the journeyman's hourly rate) specified in the contractor's or subcontractor's registered program shall be observed.

Every apprentice must be paid at not less than the rate specified in the registered program for the apprentice's level of progress, expressed as a percentage of the journeymen hourly rate specified in the applicable wage determination. Apprentices shall be paid fringe benefits in accordance with the provisions of the apprenticeship program. If the apprenticeship program does not specify fringe benefits, apprentices must be paid the full amount of fringe benefits listed on the wage determination for the applicable classification. If the Administrator determines that a different practice prevails for the applicable apprentice classification, fringes shall be paid in accordance with that determination.

In the event the Office of Apprenticeship Training, Employer and Labor Services, or a State Apprenticeship Agency recognized by the Office, withdraws approval of an apprenticeship program, the contractor will no longer be permitted to utilize apprentices at less than the applicable predetermined rate for the work performed until an acceptable program is approved.

b. Trainees (programs of the USDOL).

Except as provided in 29 CFR 5.16, trainees will not be permitted to work at less than the predetermined rate for the work performed unless they are employed pursuant to and individually registered in a program which has received prior approval, evidenced by formal certification by the U.S. Department of Labor, Employment and Training Administration.

The ratio of trainees to journeymen on the job site shall not be greater than permitted under the plan approved by the Employment and Training Administration.

Every trainee must be paid at not less than the rate specified in the approved program for the trainee's level of progress, expressed as a percentage of the journeyman hourly rate specified in the applicable wage determination. Trainees shall be paid fringe benefits in accordance with the provisions of the trainee program. If the trainee program does not mention fringe benefits, trainees shall be paid the full amount of fringe benefits listed on the wage determination unless the Administrator of the Wage and Hour Division determines that there is an apprenticeship program associated with the corresponding journeyman wage rate on the wage determination which provides for less than full fringe benefits for apprentices. Any employee listed on the payroll at a trainee rate who is not registered and participating in a training plan approved by the Employment and Training Administration shall be paid not less than the applicable wage rate on the wage determination for the classification of work actually performed. In addition, any trainee performing work on the job site in excess of the ratio permitted under the registered program shall be paid not less than the applicable wage rate on the wage determination for the work actually performed.

In the event the Employment and Training Administration withdraws approval of a training program, the contractor will no longer be permitted to utilize trainees at less than the applicable predetermined rate for the work performed until an acceptable program is approved.

c. Equal employment opportunity. The utilization of apprentices, trainees and journeymen under this part shall be in conformity with the equal employment opportunity requirements of Executive Order 11246, as amended, and 29 CFR part 30.

d. Apprentices and Trainees (programs of the U.S. DOT).

Apprentices and trainees working under apprenticeship and skill training programs which have been certified by the Secretary of Transportation as promoting EEO in connection with Federal-aid highway construction programs are not subject to the requirements of paragraph 4 of this Section IV. The straight time hourly wage rates for apprentices and trainees under such programs will be established by the particular programs. The ratio of apprentices and trainees to journeymen shall not be greater than permitted by the terms of the particular program.

5. Compliance with Copeland Act requirements. The contractor shall comply with the requirements of 29 CFR part 3, which are incorporated by reference in this contract.

6. Subcontracts. The contractor or subcontractor shall insert Form FHWA-1273 in any subcontracts and also require the subcontractors to include Form FHWA-1273 in any lower tier subcontracts. The prime contractor shall be responsible for the compliance by any subcontractor or lower tier subcontractor with all the contract clauses in 29 CFR 5.5.

7. Contract termination: debarment. A breach of the contract clauses in 29 CFR 5.5 may be grounds for termination of the contract, and for debarment as a contractor and a subcontractor as provided in 29 CFR 5.12.

8. Compliance with Davis-Bacon and Related Act requirements. All rulings and interpretations of the Davis-Bacon and Related Acts contained in 29 CFR parts 1, 3, and 5 are herein incorporated by reference in this contract.

9. Disputes concerning labor standards. Disputes arising out of the labor standards provisions of this contract shall not be subject to the general disputes clause of this contract. Such disputes shall be resolved in accordance with the procedures of the Department of Labor set forth in 29 CFR parts 5, 6, and 7. Disputes within the meaning of this clause include disputes between the contractor (or any of its subcontractors) and the contracting agency, the U.S. Department of Labor, or the employees or their representatives.

10. Certification of eligibility.

a. By entering into this contract, the contractor certifies that neither it (nor he or she) nor any person or firm who has an interest in the contractor's firm is a person or firm ineligible to be awarded Government contracts by virtue of section 3(a) of the Davis-Bacon Act or 29 CFR 5.12(a)(1).

b. No part of this contract shall be subcontracted to any person or firm ineligible for award of a Government contract by virtue of section 3(a) of the Davis-Bacon Act or 29 CFR 5.12(a)(1).

c. The penalty for making false statements is prescribed in the U.S. Criminal Code, 18 U.S.C. 1001.

V. CONTRACT WORK HOURS AND SAFETY STANDARDS ACT

The following clauses apply to any Federal-aid construction contract in an amount in excess of \$100,000 and subject to the overtime provisions of the Contract Work Hours and Safety Standards Act. These clauses shall be inserted in addition to the clauses required by 29 CFR 5.5(a) or 29 CFR 4.6. As used in this paragraph, the terms laborers and mechanics include watchmen and guards.

1. Overtime requirements. No contractor or subcontractor contracting for any part of the contract work which may require or involve the employment of laborers or mechanics shall require or permit any such laborer or mechanic in any workweek in which he or she is employed on such work to work in excess of forty hours in such workweek unless such laborer or mechanic receives compensation at a rate not less than one

and one-half times the basic rate of pay for all hours worked in excess of forty hours in such workweek.

2. Violation; liability for unpaid wages; liquidated damages. In the event of any violation of the clause set forth in paragraph (1.) of this section, the contractor and any subcontractor responsible therefor shall be liable for the unpaid wages. In addition, such contractor and subcontractor shall be liable to the United States (in the case of work done under contract for the District of Columbia or a territory, to such District or to such territory), for liquidated damages. Such liquidated damages shall be computed with respect to each individual laborer or mechanic, including watchmen and guards, employed in violation of the clause set forth in paragraph (1.) of this section, in the sum of \$10 for each calendar day on which such individual was required or permitted to work in excess of the standard workweek of forty hours without payment of the overtime wages required by the clause set forth in paragraph (1.) of this section.

3. Withholding for unpaid wages and liquidated damages. The FHWA or the contracting agency shall upon its own action or upon written request of an authorized representative of the Department of Labor withhold or cause to be withheld, from any moneys payable on account of work performed by the contractor or subcontractor under any such contract or any other Federal contract with the same prime contractor, or any other federally-assisted contract subject to the Contract Work Hours and Safety Standards Act, which is held by the same prime contractor, such sums as may be determined to be necessary to satisfy any liabilities of such contractor or subcontractor for unpaid wages and liquidated damages as provided in the clause set forth in paragraph (2.) of this section.

4. Subcontracts. The contractor or subcontractor shall insert in any subcontracts the clauses set forth in paragraph (1.) through (4.) of this section and also a clause requiring the subcontractors to include these clauses in any lower tier subcontracts. The prime contractor shall be responsible for compliance by any subcontractor or lower tier subcontractor with the clauses set forth in paragraphs (1.) through (4.) of this section.

VI. SUBLETTING OR ASSIGNING THE CONTRACT

This provision is applicable to all Federal-aid construction contracts on the National Highway System.

1. The contractor shall perform with its own organization contract work amounting to not less than 30 percent (or a greater percentage if specified elsewhere in the contract) of the total original contract price, excluding any specialty items designated by the contracting agency. Specialty items may be performed by subcontract and the amount of any such specialty items performed may be deducted from the total original contract price before computing the amount of work required to be performed by the contractor's own organization (23 CFR 635.116).

a. The term "perform work with its own organization" refers to workers employed or leased by the prime contractor, and equipment owned or rented by the prime contractor, with or without operators. Such term does not include employees or equipment of a subcontractor or lower tier subcontractor, agents of the prime contractor, or any other assignees. The term may include payments for the costs of hiring leased employees from an employee leasing firm meeting all relevant Federal and State regulatory requirements. Leased employees may only be included in this term if the prime contractor meets all of the following conditions:

(1) the prime contractor maintains control over the supervision of the day-to-day activities of the leased employees;

(2) the prime contractor remains responsible for the quality of the work of the leased employees;

(3) the prime contractor retains all power to accept or exclude individual employees from work on the project; and

(4) the prime contractor remains ultimately responsible for the payment of predetermined minimum wages, the submission of payrolls, statements of compliance and all other Federal regulatory requirements.

b. "Specialty Items" shall be construed to be limited to work that requires highly specialized knowledge, abilities, or equipment not ordinarily available in the type of contracting organizations qualified and expected to bid or propose on the contract as a whole and in general are to be limited to minor components of the overall contract.

2. The contract amount upon which the requirements set forth in paragraph (1) of Section VI is computed includes the cost of material and manufactured products which are to be purchased or produced by the contractor under the contract provisions.

3. The contractor shall furnish (a) a competent superintendent or supervisor who is employed by the firm, has full authority to direct performance of the work in accordance with the contract requirements, and is in charge of all construction operations (regardless of who performs the work) and (b) such other of its own organizational resources (supervision, management, and engineering services) as the contracting officer determines is necessary to assure the performance of the contract.

4. No portion of the contract shall be sublet, assigned or otherwise disposed of except with the written consent of the contracting officer, or authorized representative, and such consent when given shall not be construed to relieve the contractor of any responsibility for the fulfillment of the contract. Written consent will be given only after the contracting agency has assured that each subcontract is evidenced in writing and that it contains all pertinent provisions and requirements of the prime contract.

5. The 30% self-performance requirement of paragraph (1) is not applicable to design-build contracts; however, contracting agencies may establish their own self-performance requirements.

VII. SAFETY: ACCIDENT PREVENTION

This provision is applicable to all Federal-aid construction contracts and to all related subcontracts.

1. In the performance of this contract the contractor shall comply with all applicable Federal, State, and local laws governing safety, health, and sanitation (23 CFR 635). The contractor shall provide all safeguards, safety devices and protective equipment and take any other needed actions as it determines, or as the contracting officer may determine, to be reasonably necessary to protect the life and health of employees on the job and the safety of the public and to protect property in connection with the performance of the work covered by the contract.

2. It is a condition of this contract, and shall be made a condition of each subcontract, which the contractor enters into pursuant to this contract, that the contractor and any subcontractor shall not permit any employee, in performance of the contract, to work in surroundings or under conditions which are unsanitary, hazardous or dangerous to his/her health or safety, as determined under construction safety and health standards (29 CFR 1926) promulgated by the Secretary of Labor, in accordance with Section 107 of the Contract Work Hours and Safety Standards Act (40 U.S.C. 3704).

3. Pursuant to 29 CFR 1926.3, it is a condition of this contract that the Secretary of Labor or authorized representative thereof, shall have right of entry to any site of contract performance to inspect or investigate the matter of compliance with the construction safety and health standards and to carry out the duties of the Secretary under Section 107 of the Contract Work Hours and Safety Standards Act (40 U.S.C.3704).

VIII. FALSE STATEMENTS CONCERNING HIGHWAY PROJECTS

This provision is applicable to all Federal-aid construction contracts and to all related subcontracts.

In order to assure high quality and durable construction in conformity with approved plans and specifications and a high degree of reliability on statements and representations made by engineers, contractors, suppliers, and workers on Federal-aid highway projects, it is essential that all persons concerned with the project perform their functions as carefully, thoroughly, and honestly as possible. Willful falsification, distortion, or misrepresentation with respect to any facts related to the project is a violation of Federal law. To prevent any misunderstanding regarding the seriousness of these and similar acts, Form FHWA-1022 shall be posted on each Federal-aid highway project (23 CFR 635) in one or more places where it is readily available to all persons concerned with the project:

18 U.S.C. 1020 reads as follows:

"Whoever, being an officer, agent, or employee of the United States, or of any State or Territory, or whoever, whether a person, association, firm, or corporation, knowingly makes any false statement, false representation, or false report as to the character, quality, quantity, or cost of the material used or to be used, or the quantity or quality of the work performed or to be performed, or the cost thereof in connection with the submission of plans, maps, specifications, contracts, or costs of construction on any highway or related project submitted for approval to the Secretary of Transportation; or

Whoever knowingly makes any false statement, false representation, false report or false claim with respect to the character, quality, quantity, or cost of any work performed or to be performed, or materials furnished or to be furnished, in connection with the construction of any highway or related project approved by the Secretary of Transportation; or

Whoever knowingly makes any false statement or false representation as to material fact in any statement, certificate, or report submitted pursuant to provisions of the Federal-aid Roads Act approved July 1, 1916, (39 Stat. 355), as amended and supplemented;

Shall be fined under this title or imprisoned not more than 5 years or both."

IX. IMPLEMENTATION OF CLEAN AIR ACT AND FEDERAL WATER POLLUTION CONTROL ACT

This provision is applicable to all Federal-aid construction contracts and to all related subcontracts.

By submission of this bid/proposal or the execution of this contract, or subcontract, as appropriate, the bidder, proposer, Federal-aid construction contractor, or subcontractor, as appropriate, will be deemed to have stipulated as follows:

1. That any person who is or will be utilized in the performance of this contract is not prohibited from receiving an award due to a violation of Section 508 of the Clean Water Act or Section 306 of the Clean Air Act.

2. That the contractor agrees to include or cause to be included the requirements of paragraph (1) of this Section X in every subcontract, and further agrees to take such action as the contracting agency may direct as a means of enforcing such requirements.

X. CERTIFICATION REGARDING DEBARMENT, SUSPENSION, INELIGIBILITY AND VOLUNTARY EXCLUSION

This provision is applicable to all Federal-aid construction contracts, design-build contracts, subcontracts, lower-tier subcontracts, purchase orders, lease agreements, consultant contracts or any other covered transaction requiring FHWA approval or that is estimated to cost \$25,000 or more – as defined in 2 CFR Parts 180 and 1200.

1. Instructions for Certification – First Tier Participants:

a. By signing and submitting this proposal, the prospective first tier participant is providing the certification set out below.

b. The inability of a person to provide the certification set out below will not necessarily result in denial of participation in this covered transaction. The prospective first tier participant shall submit an explanation of why it cannot provide the certification set out below. The certification or explanation will be considered in connection with the department or agency's determination whether to enter into this transaction. However, failure of the prospective first tier participant to furnish a certification or an explanation shall disqualify such a person from participation in this transaction.

c. The certification in this clause is a material representation of fact upon which reliance was placed when the contracting agency determined to enter into this transaction. If it is later determined that the prospective participant knowingly rendered an erroneous certification, in addition to other remedies available to the Federal Government, the contracting agency may terminate this transaction for cause of default.

d. The prospective first tier participant shall provide immediate written notice to the contracting agency to whom this proposal is submitted if any time the prospective first tier participant learns that its certification was erroneous when submitted or has become erroneous by reason of changed circumstances.

e. The terms "covered transaction," "debarred," "suspended," "ineligible," "participant," "person," "principal," and "voluntarily excluded," as used in this clause, are defined in 2 CFR Parts 180 and 1200. "First Tier Covered Transactions" refers to any covered transaction between a grantee or subgrantee of Federal funds and a participant (such as the prime or general contractor). "Lower Tier Covered Transactions" refers to any covered transaction under a First Tier Covered Transaction (such as subcontracts). "First Tier Participant" refers to the participant who has entered into a covered transaction with a grantee or subgrantee of Federal funds (such as the prime or general contractor). "Lower Tier Participant" refers any participant who has entered into a covered transaction with a First Tier Participant or other Lower Tier Participants (such as subcontractors and suppliers).

f. The prospective first tier participant agrees by submitting this proposal that, should the proposed covered transaction be entered into, it shall not knowingly enter into any lower tier covered transaction with a person who is debarred, suspended, declared ineligible, or voluntarily excluded from participation in this covered transaction, unless authorized by the department or agency entering into this transaction.

g. The prospective first tier participant further agrees by submitting this proposal that it will include the clause titled "Certification Regarding Debarment, Suspension, Ineligibility and Voluntary Exclusion-Lower Tier Covered Transactions," provided by the department or contracting agency, entering into this covered transaction, without modification, in all lower tier covered transactions and in all solicitations for lower tier covered transactions exceeding the \$25,000 threshold.

h. A participant in a covered transaction may rely upon a certification of a prospective participant in a lower tier covered transaction that is not debarred, suspended, ineligible, or voluntarily excluded from the covered transaction, unless it knows that the certification is erroneous. A participant is responsible for ensuring that its principals are not suspended, debarred, or otherwise ineligible to participate in covered transactions. To verify the eligibility of its principals, as well as the eligibility of any lower tier prospective participants, each participant may, but is not required to, check the Excluded Parties List System website (<https://www.epls.gov/>), which is compiled by the General Services Administration.

i. Nothing contained in the foregoing shall be construed to require the establishment of a system of records in order to render in good faith the certification required by this clause. The knowledge and information of the prospective participant is not required to exceed that which is normally possessed by a prudent person in the ordinary course of business dealings.

j. Except for transactions authorized under paragraph (f) of these instructions, if a participant in a covered transaction knowingly enters into a lower tier covered transaction with a person who is suspended, debarred, ineligible, or voluntarily excluded from participation in this transaction, in addition to other remedies available to the Federal Government, the department or agency may terminate this transaction for cause or default.

* * * * *

2. Certification Regarding Debarment, Suspension, Ineligibility and Voluntary Exclusion – First Tier Participants:

a. The prospective first tier participant certifies to the best of its knowledge and belief, that it and its principals:

(1) Are not presently debarred, suspended, proposed for debarment, declared ineligible, or voluntarily excluded from participating in covered transactions by any Federal department or agency;

(2) Have not within a three-year period preceding this proposal been convicted of or had a civil judgment rendered against them for commission of fraud or a criminal offense in connection with obtaining, attempting to obtain, or performing a public (Federal, State or local) transaction or contract under a public transaction; violation of Federal or State antitrust statutes or commission of embezzlement, theft, forgery, bribery, falsification or destruction of records, making false statements, or receiving stolen property;

(3) Are not presently indicted for or otherwise criminally or civilly charged by a governmental entity (Federal, State or local) with commission of any of the offenses enumerated in paragraph (a)(2) of this certification; and

(4) Have not within a three-year period preceding this application/proposal had one or more public transactions (Federal, State or local) terminated for cause or default.

b. Where the prospective participant is unable to certify to any of the statements in this certification, such prospective participant shall attach an explanation to this proposal.

2. Instructions for Certification - Lower Tier Participants:

(Applicable to all subcontracts, purchase orders and other lower tier transactions requiring prior FHWA approval or estimated to cost \$25,000 or more - 2 CFR Parts 180 and 1200)

a. By signing and submitting this proposal, the prospective lower tier is providing the certification set out below.

b. The certification in this clause is a material representation of fact upon which reliance was placed when this transaction was entered into. If it is later determined that the prospective lower tier participant knowingly rendered an erroneous certification, in addition to other remedies available to the Federal Government, the department, or agency with which this transaction originated may pursue available remedies, including suspension and/or debarment.

c. The prospective lower tier participant shall provide immediate written notice to the person to which this proposal is submitted if at any time the prospective lower tier participant learns that its certification was erroneous by reason of changed circumstances.

d. The terms "covered transaction," "debarred," "suspended," "ineligible," "participant," "person," "principal," and "voluntarily excluded," as used in this clause, are defined in 2 CFR Parts 180 and 1200. You may contact the person to which this proposal is submitted for assistance in obtaining a copy of those regulations. "First Tier Covered Transactions" refers to any covered transaction between a grantee or subgrantee of Federal funds and a participant (such as the prime or general contractor). "Lower Tier Covered Transactions" refers to any covered transaction under a First Tier Covered Transaction (such as subcontracts). "First Tier Participant" refers to the participant who has entered into a covered transaction with a grantee or subgrantee of

Federal funds (such as the prime or general contractor). "Lower Tier Participant" refers any participant who has entered into a covered transaction with a First Tier Participant or other Lower Tier Participants (such as subcontractors and suppliers).

e. The prospective lower tier participant agrees by submitting this proposal that, should the proposed covered transaction be entered into, it shall not knowingly enter into any lower tier covered transaction with a person who is debarred, suspended, declared ineligible, or voluntarily excluded from participation in this covered transaction, unless authorized by the department or agency with which this transaction originated.

f. The prospective lower tier participant further agrees by submitting this proposal that it will include this clause titled "Certification Regarding Debarment, Suspension, Ineligibility and Voluntary Exclusion-Lower Tier Covered Transaction," without modification, in all lower tier covered transactions and in all solicitations for lower tier covered transactions exceeding the \$25,000 threshold.

g. A participant in a covered transaction may rely upon a certification of a prospective participant in a lower tier covered transaction that is not debarred, suspended, ineligible, or voluntarily excluded from the covered transaction, unless it knows that the certification is erroneous. A participant is responsible for ensuring that its principals are not suspended, debarred, or otherwise ineligible to participate in covered transactions. To verify the eligibility of its principals, as well as the eligibility of any lower tier prospective participants, each participant may, but is not required to, check the Excluded Parties List System website (<https://www.epls.gov/>), which is compiled by the General Services Administration.

h. Nothing contained in the foregoing shall be construed to require establishment of a system of records in order to render in good faith the certification required by this clause. The knowledge and information of participant is not required to exceed that which is normally possessed by a prudent person in the ordinary course of business dealings.

i. Except for transactions authorized under paragraph e of these instructions, if a participant in a covered transaction knowingly enters into a lower tier covered transaction with a person who is suspended, debarred, ineligible, or voluntarily excluded from participation in this transaction, in addition to other remedies available to the Federal Government, the department or agency with which this transaction originated may pursue available remedies, including suspension and/or debarment.

* * * * *

Certification Regarding Debarment, Suspension, Ineligibility and Voluntary Exclusion--Lower Tier Participants:

1. The prospective lower tier participant certifies, by submission of this proposal, that neither it nor its principals is presently debarred, suspended, proposed for debarment, declared ineligible, or voluntarily excluded from participating in covered transactions by any Federal department or agency.

2. Where the prospective lower tier participant is unable to certify to any of the statements in this certification, such prospective participant shall attach an explanation to this proposal.

* * * * *

XI. CERTIFICATION REGARDING USE OF CONTRACT FUNDS FOR LOBBYING

This provision is applicable to all Federal-aid construction contracts and to all related subcontracts which exceed \$100,000 (49 CFR 20).

1. The prospective participant certifies, by signing and submitting this bid or proposal, to the best of his or her knowledge and belief, that:

a. No Federal appropriated funds have been paid or will be paid, by or on behalf of the undersigned, to any person for influencing or attempting to influence an officer or employee of any Federal agency, a Member of

Congress, an officer or employee of Congress, or an employee of a Member of Congress in connection with the awarding of any Federal contract, the making of any Federal grant, the making of any Federal loan, the entering into of any cooperative agreement, and the extension, continuation, renewal, amendment, or modification of any Federal contract, grant, loan, or cooperative agreement.

b. If any funds other than Federal appropriated funds have been paid or will be paid to any person for influencing or attempting to influence an officer or employee of any Federal agency, a Member of Congress, an officer or employee of Congress, or an employee of a Member of Congress in connection with this Federal contract, grant, loan, or cooperative agreement, the undersigned shall complete and submit Standard Form-LLL, "Disclosure Form to Report Lobbying," in accordance with its instructions.

2. This certification is a material representation of fact upon which reliance was placed when this transaction was made or entered into. Submission of this certification is a prerequisite for making or entering into this transaction imposed by 31 U.S.C. 1352. Any person who fails to file the required certification shall be subject to a civil penalty of not less than \$10,000 and not more than \$100,000 for each such failure.

3. The prospective participant also agrees by submitting its bid or proposal that the participant shall require that the language of this certification be included in all lower tier subcontracts, which exceed \$100,000 and that all such recipients shall certify and disclose accordingly.

ATTACHMENT A - EMPLOYMENT AND MATERIALS PREFERENCE FOR APPALACHIAN DEVELOPMENT HIGHWAY SYSTEM OR APPALACHIAN LOCAL ACCESS ROAD CONTRACTS

This provision is applicable to all Federal-aid projects funded under the Appalachian Regional Development Act of 1965.

1. During the performance of this contract, the contractor undertaking to do work which is, or reasonably may be, done as on-site work, shall give preference to qualified persons who regularly reside in the labor area as designated by the DOL wherein the contract work is situated, or the subregion, or the Appalachian counties of the State wherein the contract work is situated, except:

a. To the extent that qualified persons regularly residing in the area are not available.

b. For the reasonable needs of the contractor to employ supervisory or specially experienced personnel necessary to assure an efficient execution of the contract work.

c. For the obligation of the contractor to offer employment to present or former employees as the result of a lawful collective bargaining contract, provided that the number of nonresident persons employed under this subparagraph (1c) shall not exceed 20 percent of the total number of employees employed by the contractor on the contract work, except as provided in subparagraph (4) below.

2. The contractor shall place a job order with the State Employment Service indicating (a) the classifications of the laborers, mechanics and other employees required to perform the contract work, (b) the number of employees required in each classification, (c) the date on which the participant estimates such employees will be required, and (d) any other pertinent information required by the State Employment Service to complete the job order form. The job order may be placed with the State Employment Service in writing or by telephone. If during the course of the contract work, the information submitted by the contractor in the original job order is substantially modified, the participant shall promptly notify the State Employment Service.

3. The contractor shall give full consideration to all qualified job applicants referred to him by the State Employment Service. The contractor is not required to grant employment to any job applicants who, in his opinion, are not qualified to perform the classification of work required.

4. If, within one week following the placing of a job order by the contractor with the State Employment Service, the State Employment Service is unable to refer any qualified job applicants to the contractor, or less than the number requested, the State Employment Service will forward a certificate to the contractor indicating the unavailability of applicants. Such certificate shall be made a part of the contractor's permanent project records. Upon receipt of this certificate, the contractor may employ persons who do not normally reside in the labor area to fill positions covered by the certificate, notwithstanding the provisions of subparagraph (1c) above.

5. The provisions of 23 CFR 633.207(e) allow the contracting agency to provide a contractual preference for the use of mineral resource materials native to the Appalachian region.

6. The contractor shall include the provisions of Sections 1 through 4 of this Attachment A in every subcontract for work which is, or reasonably may be, done as on-site work.

Contract Provision - Cargo Preference Requirements

In accordance with Title 46 CFR § 381.7 (b), the contractor agrees—

“(1) To utilize privately owned United States-flag commercial vessels to ship at least 50 percent of the gross tonnage (computed separately for dry bulk carriers, dry cargo liners, and tankers) involved, whenever shipping any equipment, material, or commodities pursuant to this contract, to the extent such vessels are available at fair and reasonable rates for United States-flag commercial vessels.

(2) To furnish within 20 days following the date of loading for shipments originating within the United States or within 30 working days following the date of loading for shipments originating outside the United States, a legible copy of a rated, ‘on-board’ commercial ocean bill-of-lading in English for each shipment of cargo described in paragraph (b) (1) of this section to both the Contracting Officer (through the prime contractor in the case of subcontractor bills-of-lading) and to the Division of National Cargo, Office of Market Development, Maritime Administration, Washington, DC 20590.

(3) To insert the substance of the provisions of this clause in all subcontracts issued pursuant to this contract.”

Provisions (1) and (2) apply to materials or equipment that are acquired solely for the project. The two provisions do not apply to goods or materials that come into inventories independent of the project, such as shipments of Portland cement, asphalt cement, or aggregates, when industry suppliers and contractors use these materials to replenish existing inventories.