

STATE OF ILLINOIS  
DEPARTMENT OF TRANSPORTATION

F.A.P. RTE.	SECTION	COUNTY	TOTAL SHEETS	SHEET NO.
339	(35,36;127)PP	TAZEWELL	11	1
		ILLINOIS	CONTRACT NO. 68H05	

INDEX OF SHEETS:

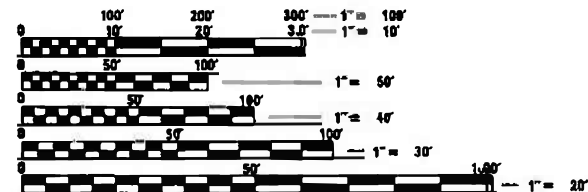
- 1 COVER SHEET
- 2 COMMITMENTS AND GENERAL NOTES
- 3 SUMMARY OF QUANTITIES
- 4 SCHEDULE OF QUANTITIES
- 5-6 LINE DIAGRAM
- 7-11 TYPICAL SECTIONS

HIGHWAY STANDARDS:

- 442201-03
- 701301-04
- 701311-03
- 701336-07
- 701501-06
- 701502-09
- 701601-09
- 701701-10
- 701901-08
- 780001-05

DESIGN DESIGNATION  
IL 8/BUS 24: MINOR ARTERIAL  
ADT: 17,500 (2019)  
SU: 275  
MU: 185

IL 122: MINOR ARTERIAL  
ADT: 1,350 (2019)  
SU: 70  
MU: 90



FULL SIZE PLANS HAVE BEEN PREPARED USING STANDARD ENGINEERING SCALES. REDUCED SIZED PLANS WILL NOT CONFORM TO STANDARD SCALES. IN MAKING MEASUREMENTS ON REDUCED PLANS, THE ABOVE SCALES MAY BE USED.

J.U.L.I.E.  
JOINT UTILITY LOCATION INFORMATION FOR EXCAVATION  
1-800-892-0123  
OR 811

PROJECT ENGINEER: BEN TELLEFSON 309-671-3333  
PROJECT MANAGER: ERIC PRICHARD 309-671-3333

CONTRACT NO. 68H05  
CATALOG NO. 036313-00D

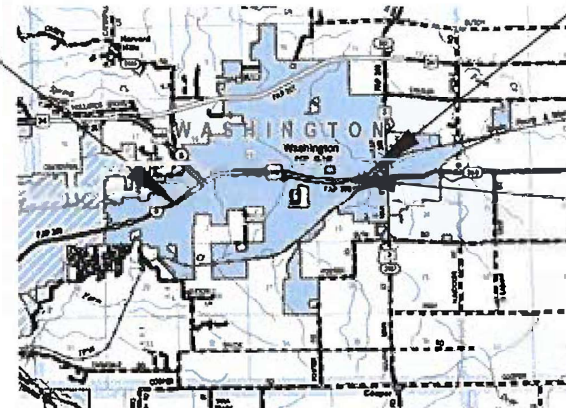
PROPOSED  
HIGHWAY PLANS

VARIOUS ROUTES  
SECTION (35,36;127)PP  
CONTRACT MAINTENANCE  
TAZEWELL COUNTY

START OF PROJECT  
STA. 278+22.17

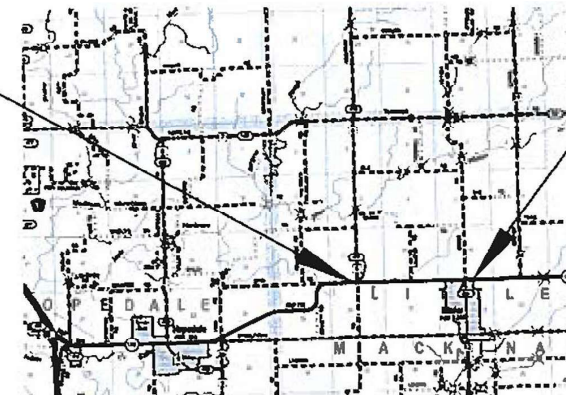
C-94-039-22

END OF PROJECT  
STA. 12+85



STA. EQ. 397+76.70(BK) = 0+00(AH)

START OF PROJECT  
STA. 712+28.10



END OF PROJECT  
STA. EQ. 807.98(BK) = 2+50(AH)

GROSS LENGTH = 24,552 FT. = 4.65 MILE  
NET LENGTH = 24,552 FT. = 4.65 MILE



PROJECT DESCRIPTION:

PARTIAL AND FULL DEPTH PAVEMENT PATCHING ON IL 8/BUS 24 FROM LEGION RD TO RR VIADUCT IN WASHINGTON AND ON IL 122 FROM COUNTY ROAD 6 TO MINIER RD IN MINIER

STATE OF ILLINOIS  
DEPARTMENT OF TRANSPORTATION

SUBMITTED March 30 20 22

Ben Tellefson  
REGIONAL ENGINEER

May 13, 2022 Eric Prichard  
ENGINEER OF DESIGN AND ENVIRONMENT

May 13, 2022 Steph M. Smith  
DIRECTOR OF HIGHWAYS PROJECT IMPLEMENTATION

PRINTED BY THE AUTHORITY  
OF THE STATE OF ILLINOIS

**COMMITMENTS**

Commitments are not to be altered without the written approval of all parties to which the commitment was made.

**NO COMMITMENTS HAVE BEEN MADE FOR THIS PROJECT.**

**ENVIRONMENTAL REVIEWS**

Prior to the use of any proposed borrow areas, use areas (temporary access roads, detours, run-arounds, etc.) and/or waste areas, the Contractor shall file the required environmental resource request surveys according to Section 107.22 of the Standard Specifications. These surveys are required in order for the Department to conduct cultural and biological resource surveys for the proposed site.

The required environmental resource documentation shall include the following:

- \* BDE Form 2289 (Borrow Site Review)
- \* BDE Form 2290 (Waste/Use Area Review)
- \* A location map showing the size limits and location of the use area
- \* Color photographs depicting the use area
- \* Borrow Area Entry Agreement form – D4 PI0101

Prior to any waste materials being removed from the construction site the required environmental resource surveys shall be obtained and filed by the Contractor. Excess waste products removed from the construction site shall be disposed of as required in Section 202.03 of the Standard Specifications.

Any protruding metal bars shall be removed prior to the disposal of broken concrete at approved disposal sites.

Please note that a minimum of four weeks shall be allowed for the District to obtain the required waste site environmental clearances and six weeks for the required borrow site environmental clearances.

The following HMA mixture requirements are applicable for this project:

Location(s):	IL ROUTE 8 /BUSINESS US ROUTE 24 & IL ROUTE 122
Mixture Use(s):	Patching
PG:	58-28
Design Air Voids:	4% N = 50
Mixture Composition:	IL 9.5
Friction Aggregate:	Mix D
Mixture Weight:	112.0 lb/s.y/in.
Quality Management Program:	QA/QC
Sublot Size:	Not Applicable
Material Transfer Device (Required?)	No

MODEL: Definit FILE NAME: p:\work\eng\warranty\com\trnsprt\ppw-01\Documents\Project\2022\22-29 IDOT Work Control\Design\01 - Drawings\22-154-06 Patching and HMA\CAD\CAD\_Sheets\02\2806\_GENERAL\_NOTES.dgn

SUMMARY OF QUANTITIES					
CODE NO.	ITEM	UNIT	TOTAL QUANTITY	0006	0006
				URBAN	RURAL
				US BUS 24 100% STATE	IL 122 100% STATE
44201823	CLASS D PATCHES, TYPE I, 15 INCH	SQ YD	40	40	0
44201827	CLASS D PATCHES, TYPE II, 15 INCH	SQ YD	80	80	0
44201831	CLASS D PATCHES, TYPE III, 15 INCH	SQ YD	80	80	0
67100100	MOBILIZATION	L SUM	1	0.6	0.4
70100600	TRAFFIC CONTROL AND PROTECTION, STANDARD 701336	L SUM	1	0	1
70102620	TRAFFIC CONTROL AND PROTECTION, STANDARD 701501	L SUM	1	0	1
70102622	TRAFFIC CONTROL AND PROTECTION, STANDARD 701502	L SUM	1	1	0
70102630	TRAFFIC CONTROL AND PROTECTION, STANDARD 701601	L SUM	1	1	0
70102635	TRAFFIC CONTROL AND PROTECTION, STANDARD 701701	L SUM	1	1	0
70107025	CHANGEABLE MESSAGE SIGN	CAL DAYS	60	30	30
* 78001110	PAINT PAVEMENT MARKING - LINE 4"	FOOT	4500	2700	1800
* 78001130	PAINT PAVEMENT MARKING - LINE 6"	FOOT	250	250	0
* 78001140	PAINT PAVEMENT MARKING - LINE 8"	FOOT	350	350	0
* 78001180	PAINT PAVEMENT MARKING - LINE 24"	FOOT	150	150	0
X0556100	PARTIAL DEPTH PATCHING (SPECIAL)	SQ YD	2415	1425	990
X4421000	PARTIAL DEPTH PATCHING	TON	203	120	83

\*= SPECIALTY ITEM

MODEL: Default; FILE NAME: p:\p\travelp\constr\travelp\work\2022\22-129 DOT Work Orders\Design\100 - Drawings\22-129-006 Patching and Inlets\CAD\CAD\_Sheets\022129006\_SUMMARY.dgn



USER NAME = PaytonC  
 PLOT SCALE = 2.005 1/1 in.  
 PLOT DATE = 3/22/2022

DESIGNED -  
 DRAWN -  
 CHECKED -  
 DATE -

REVISED -  
 REVISED -  
 REVISED -  
 REVISED -

STATE OF ILLINOIS  
 DEPARTMENT OF TRANSPORTATION

SUMMARY OF QUANTITIES  
 SCALE: SHEET 3 OF 11 SHEETS STA. TO STA.

F.A.P RTE.	SECTION	COUNTY	TOTAL SHEETS	SHEET NO.
399	(35,36;127)PP	TAZEWELL	11	3
ILLINOIS FED. AID PROJECT			CONTRACT NO. 68H05	

TRAFFIC CONTROL AND PROTECTION STANDARD 701336	
LOCATION	L SUM
IL 122	1
<b>TOTAL</b>	<b>1</b>

TRAFFIC CONTROL AND PROTECTION STANDARD 701501	
LOCATION	L SUM
IL 122	1
<b>TOTAL</b>	<b>1</b>

TRAFFIC CONTROL AND PROTECTION STANDARD 701601	
LOCATION	L SUM
BUS 24	1
<b>TOTAL</b>	<b>1</b>

TRAFFIC CONTROL AND PROTECTION STANDARD 701502	
LOCATION	L SUM
BUS 24	1
<b>TOTAL</b>	<b>1</b>

TRAFFIC CONTROL AND PROTECTION STANDARD 701701	
LOCATION	L SUM
BUS 24	1
<b>TOTAL</b>	<b>1</b>

CHANGEABLE MESSAGE SIGN 70107025	
LOCATION	CAL DAY
JOBSITE	60
<b>TOTAL</b>	<b>60</b>

PARTIAL DEPTH PATCHING 1.5"			
		X0556100	X4421000
LOCATION	SIZE	PARTIAL DEPTH PATCHING (SPECIAL)	PARTIAL DEPTH PATCHING
		SQ YD	TONS
IL 122	<5 SQ YD	110	9
	5-15 SQ YD	420	35
	15-25 SQ YD	460	39
BUS 24	<5 SQ YD	235	20
	5-15 SQ YD	670	56
	15-25 SQ YD	520	44
<b>TOTAL</b>		<b>2415</b>	<b>203</b>

MOBILIZATION	
LOCATION	L SUM
JOBSITE	1
<b>TOTAL</b>	<b>1</b>

CLASS D PATCHES, 15"			
	44201823	44201827	44201831
LOCATION	CL D PATCH T1 15	CL D PATCH T2 15	CL D PATCH T3 15
	SQ YD	SQ YD	SQ YD
BUS 24	40	80	80

PAVEMENT MARKINGS				
	78001110	78001130	78001140	78001180
LOCATION	*PAINT PVT MK LINE 4"	*PAINT PVT MK LINE 6"	*PAINT PVT MK LINE 8"	*PAINT PVT MK LINE 24"
	FT	FT	FT	FT
JOBSITE	4500	250	350	150
<b>TOTAL</b>	<b>4500</b>	<b>250</b>	<b>350</b>	<b>150</b>
*ESTIMATED QUANTITY				

MODEL: Default  
FILE NAME: p:\p\trraengr\p\blm\by.com\trraengr\p\2022\22-129 IDOT Work Orders\Design\100 - Drawings\22-129-006 Patching and Inlets\CAD\CAD\_Sheets\042129006\_500.dgn



USER NAME = PaytonC  
DESIGNED -  
DRAWN -  
PLOT SCALE = 2,004" / in.  
CHECKED -  
DATE -  
PLOT DATE = 3/23/2022

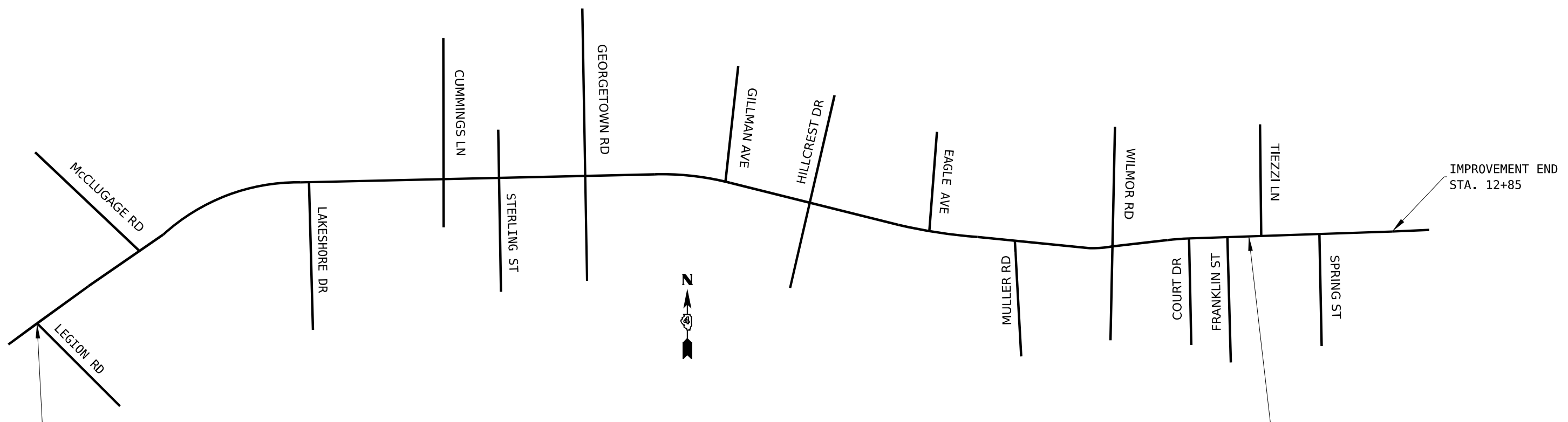
DESIGNED -  
DRAWN -  
CHECKED -  
DATE -

REVISED -  
REVISED -  
REVISED -  
REVISED -

**STATE OF ILLINOIS  
DEPARTMENT OF TRANSPORTATION**

**SCHEDULE OF QUANTITIES**  
SCALE: SHEET 4 OF 11 SHEETS STA. TO STA.

F.A.P RTE.	SECTION	COUNTY	TOTAL SHEETS	SHEET NO.
399	(35,36;127)PP	TAZEWELL	11	4
CONTRACT NO. 68H05			ILLINOIS FED. AID PROJECT	



INTERSECTION	STATION
LEGION RD	278+22.17
McCLUGAGE RD	290+45.03
LAKESHORE DR	309+11.59
CUMMINGS LN.	322+62.88
GEORGETOWN RD.	331+19.97
GILLMAN AVE.	345+35.35
HILLCREST DR.	353+92.95
EAGLE AVE.	366+22.31
MEULLER AVE.	374+84.99
N WILMORE RD.	384+56.96
S WILMORE RD.	384+60.61
COURT DR.	392+33.95
FRANKLIN ST.	395+13
TIEZZI LN.	0+82.5
SPRING ST.	5+18.75

MODEL: D:\files\...  
 FILE NAME: i:\...



USER NAME	= PaytonC	DESIGNED	-	REVISED	-
		DRAWN	-	REVISED	-
PLOT SCALE	= 1033.8121' / in.	CHECKED	-	REVISED	-
PLOT DATE	= 3/9/2022	DATE	-	REVISED	-

**STATE OF ILLINOIS**  
**DEPARTMENT OF TRANSPORTATION**

**IL ROUTE 8/BUS US 24**  
**LINE DIAGRAM**

F.A.P RTE.	SECTION	COUNTY	TOTAL SHEETS	SHEET NO.
399	(35,36;127)PP	TAZEWELL	11	5
				CONTRACT NO. 68H05
				ILLINOIS FED. AID PROJECT

SCALE:      SHEET 5    OF 11    SHEETS    STA.      TO STA.

IMPROVEMENT BEGINS  
STA. 712+28.1

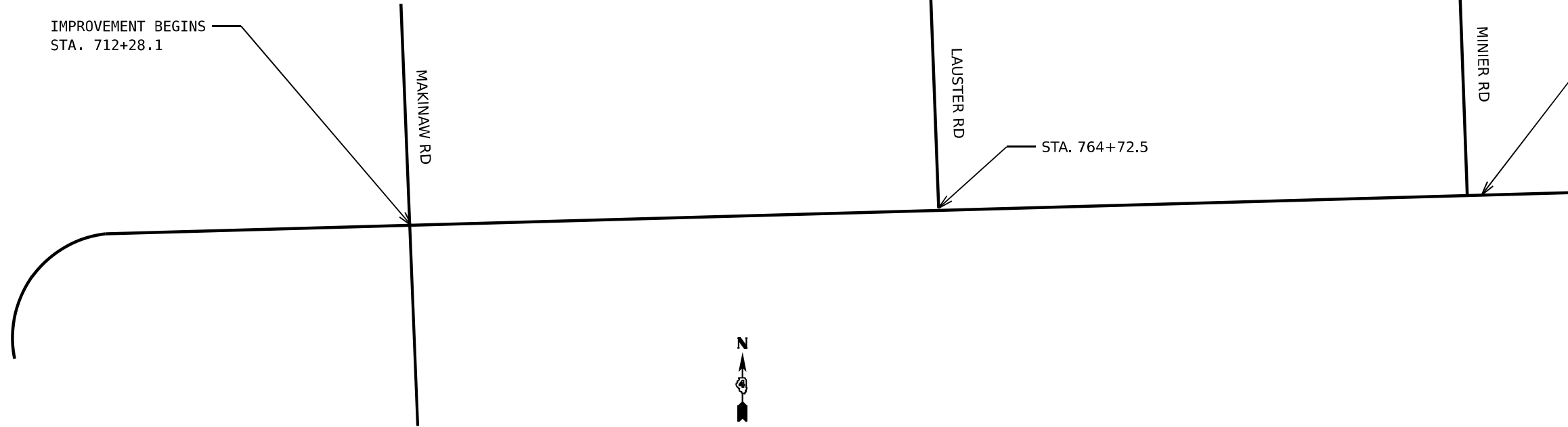
MAKINAW RD

LAUSTER RD

STA. 764+72.5

MINIER RD

IMPROVEMENT ENDS  
STA. EQ. 807+98 (BK) = 2+50 (AH)



MODEL: Default  
FILE NAME: \\c:\harrington\p\harrington\Documents\Projects\2022\22-129 IDOT Work Orders\Design\00 - Drawings\22-129-006 Patching and Inlets\CAD\_Sheets\02120006 LINE DIAGRAM.dwg



USER NAME = PaytonC	DESIGNED -	REVISED -
	DRAWN -	REVISED -
PLOT SCALE = 1:303,5324' / in.	CHECKED -	REVISED -
PLOT DATE = 3/9/2022	DATE -	REVISED -

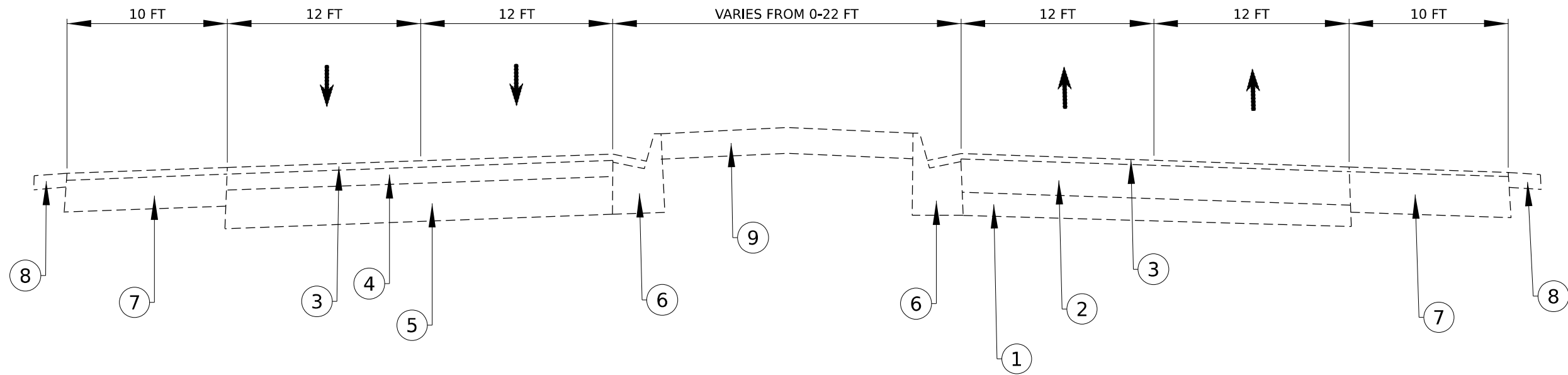
STATE OF ILLINOIS  
DEPARTMENT OF TRANSPORTATION

IL 122 LINE DIAGRAM

SCALE: SHEET 6 OF 11 SHEETS STA. TO STA.

F.A.P. RTE.	SECTION	COUNTY	TOTAL SHEETS	SHEET NO.
399	(35,36;127)PP	TAEWELL	11	6
CONTRACT NO. 68H05				
ILLINOIS FED. AID PROJECT				





EXISTING TYPICAL SECTION #1  
IL ROUTE 8

STA. 278+22.12 TO 322+62.88

- ① EXISTING PORTLAND CEMENT CONCRETE PAVEMENT, 6"
- ② EXISTING HOT MIX ASPHALT OVERLAY, 8"
- ③ EXISTING AREA REFLECTIVE CRACK CONTROL TREATMENT SYSTEM A
- ④ EXISTING HOT MIX ASPHALT OVERLAY, 5"
- ⑤ EXISTING PORTLAND CEMENT CONCRETE PAVEMENT, 10"
- ⑥ EXISTING CURB AND GUTTER
- ⑦ EXISTING HOT MIX ASPHALT SHOULDER
- ⑧ EXISTING 2" AGGREGATE SHOULDER
- ⑨ EXISTING MEDIAN (GRASS OR PCC)

MODEL: Default  
 FILE NAME: I:\Users\pawson\Documents\Projects\2022\22-12\DOT Work Orders Design\100 - Drawings\22-12-15-208 Planing and Public C&D\CAD Sheets\042128306\_TYP\_SHT\_1.dgn  
 I:\Users\pawson\Documents\Projects\2022\22-12\DOT Work Orders Design\100 - Drawings\22-12-15-208 Planing and Public C&D\CAD Sheets\042128306\_TYP\_SHT\_1.dgn



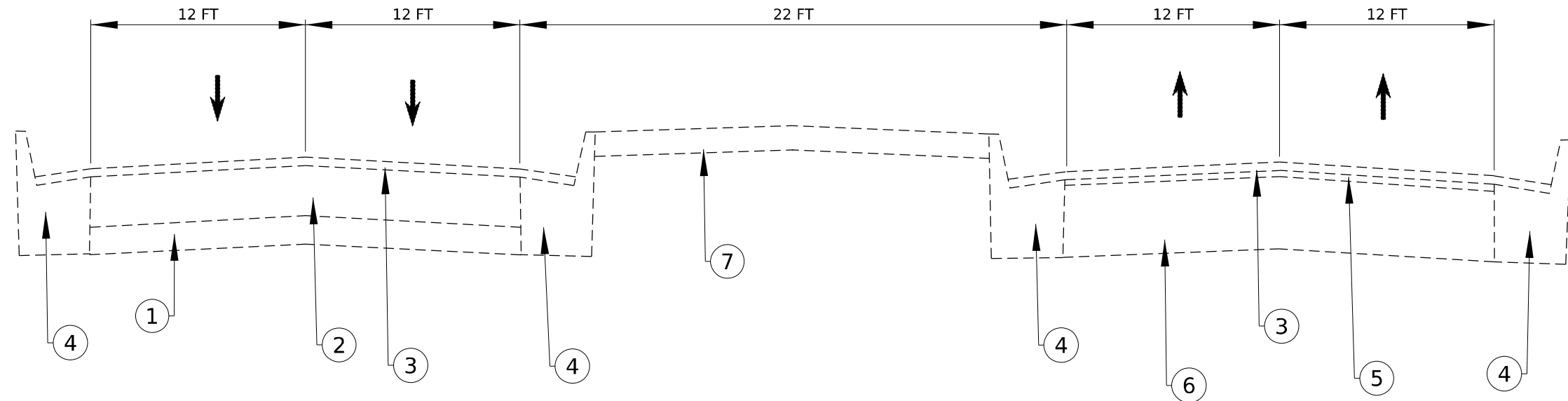
USER NAME = PaytonC	DESIGNED -	REVISED -
PLOT SCALE = 15.0468' / in.	DRAWN -	REVISED -
PLOT DATE = 3/9/2022	CHECKED -	REVISED -
	DATE -	REVISED -

**STATE OF ILLINOIS  
DEPARTMENT OF TRANSPORTATION**

**EXISTING TYPICAL SECTION  
IL ROUTE 8**

SCALE: SHEET 7 OF 11 SHEETS STA. TO STA.

F.A.P RTE.	SECTION	COUNTY	TOTAL SHEETS	SHEET NO.
399	(35,36;127)PP	TAZEWELL	11	7
CONTRACT NO. 68H05				
ILLINOIS   FED. AID PROJECT				



EXISTING TYPICAL SECTION #2  
BUS US ROUTE 24

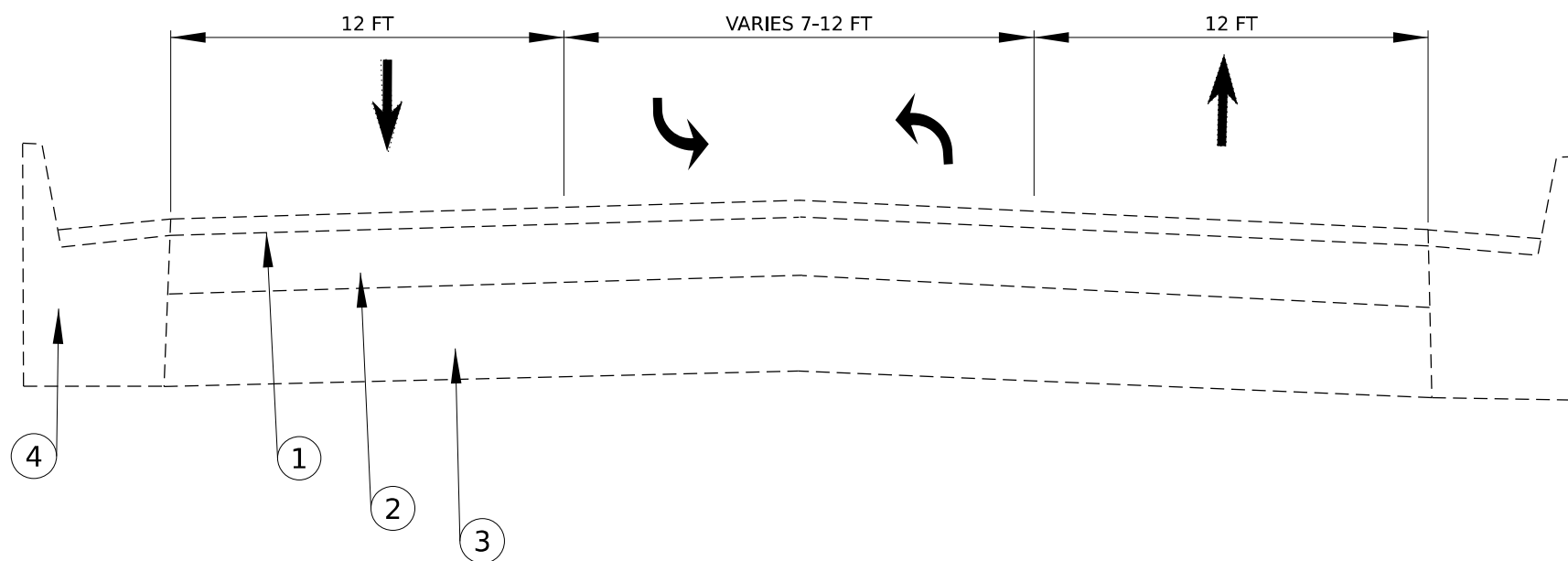
STA. 322+62.88 TO STA. 397+76.70

- ① EXISTING PORTLAND CEMENT CONCRETE PAVEMENT, 6"
- ② EXISTING HOT MIX ASPHALT OVERLAY, 8"
- ③ EXISTING AREA REFLECTIVE CRACK CONTROL TREATMENT SYSTEM A
- ④ EXISTING CURB AND GUTTER
- ⑤ EXISTING HOT MIX ASPHALT OVERLAY, 2 1/2"
- ⑥ EXISTING PORTLAND CEMENT CONCRETE PAVEMENT, 10"
- ⑦ EXISTING MEDIAN (GRASS OR PCC)

MODEL: Default  
FILE NAME: \\w:\tms\eng\paw\h\com\trns\paw\01\Documents\Projects\2022\22-19 [DOT] Work Order\Design\100 - Drawings\22-19-006 Paving and Infra\CAD\CAD\_Sheets\04212006\_TYP\_SHT\_2.dgn

	USER NAME = PaytonC	DESIGNED -	REVISED -	<b>STATE OF ILLINOIS DEPARTMENT OF TRANSPORTATION</b>	<b>EXISTING TYPICAL SECTION BUS US ROUTE 24</b>			F.A.P. RTE.	SECTION	COUNTY	TOTAL SHEETS	SHEET NO.
	PLOT SCALE = 1/5,000	DRAWN -	REVISED -		399	(35,36;127)PP	TAZEWELL	11	8			
PLOT DATE = 3/10/2022	CHECKED -	REVISED -	CONTRACT NO. 68H05									
	DATE -	REVISED -	SCALE:		SHEET 8	OF 11 SHEETS	STA.	TO STA.	ILLINOIS	FED. AID PROJECT		



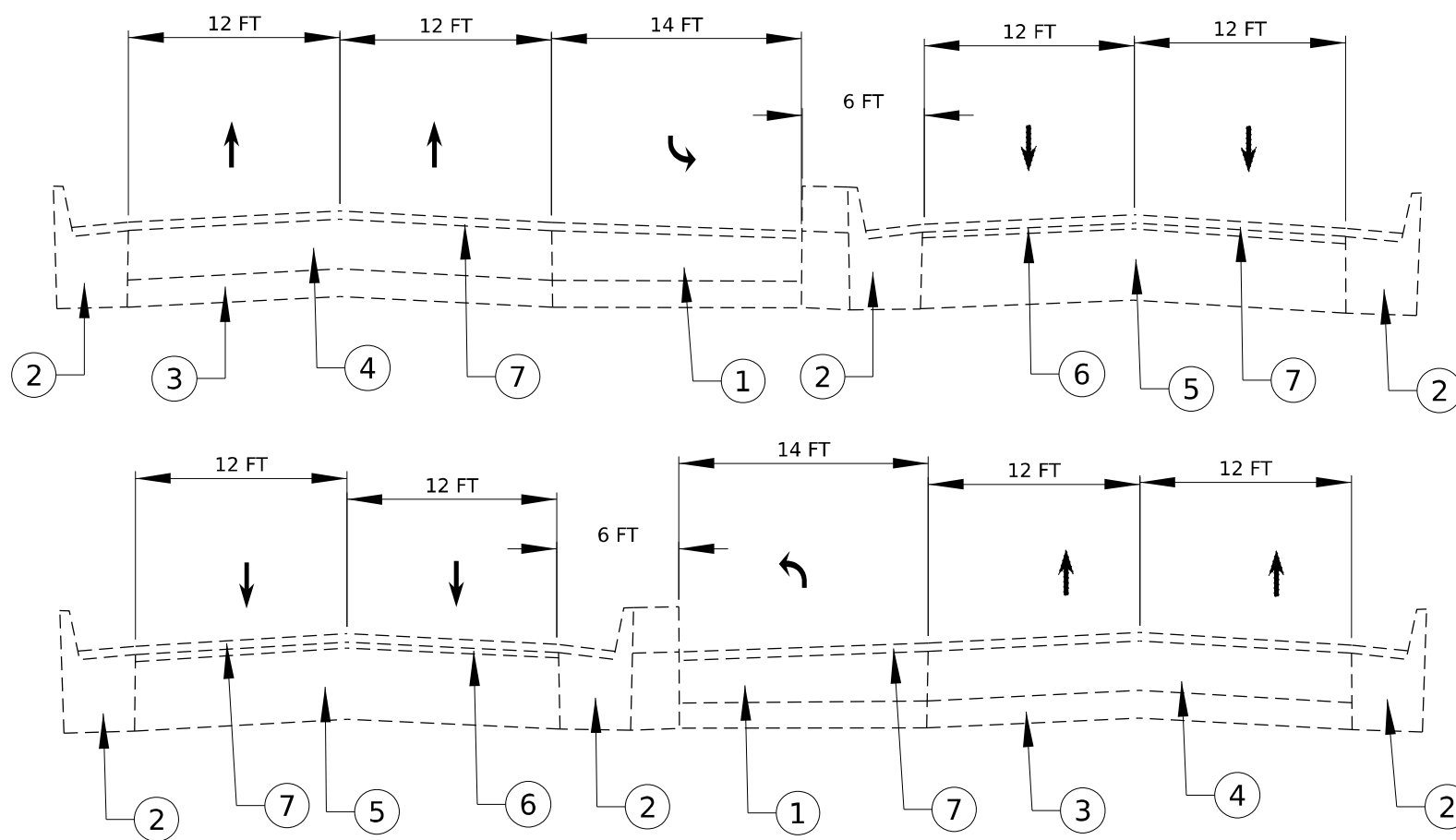


**EXISTING TYPICAL SECTION #3**  
**BUS US ROUTE 24**  
 STA. 0+00 TO STA. 12+85

- ① EXISTING AREA REFLECTIVE CRACK CONTROL SYSTEM A
- ② EXISTING HOT MIX ASPHALT OVERLAY, 3 3/4"
- ③ EXISTING PORTLAND CEMENT CONCRETE PAVEMENT, 7"
- ④ EXISTING CONCRETE CURB AND GUTTER

MODEL: Default  
 FILE NAME: \\terra\eng\paw\harry.com\transp\paw\01\Documents\Project\2022\22-428 DOT Work Orders\Design\100 - Drawings\22-428-006 Paving and Maintenance\CAD\Sheet\0212006\_TYP\_SHT\_3.dgn

	USER NAME = PaytonC	DESIGNED -	REVISED -	<b>STATE OF ILLINOIS</b> <b>DEPARTMENT OF TRANSPORTATION</b>	<b>EXISTING TYPICAL SECTION</b> <b>BUS US ROUTE 24</b>		F.A.P. RTE.	SECTION	COUNTY	TOTAL SHEETS	SHEET NO.
	PLOT SCALE = 10,0430' / in.	DRAWN -	REVISED -		399	(35,36;127)PP	TAZEWELL	11	9		
	PLOT DATE = 3/11/2022	CHECKED -	REVISED -		CONTRACT NO. 68H05						
		DATE -	REVISED -		SCALE:	SHEET 9	OF 11 SHEETS	STA.	TO STA.	ILLINOIS FED. AID PROJECT	



**EXISTING TYPICAL SECTION #4**  
**BUS US ROUTE 24**

STA. VARIES, LEFT TURN LANE TYP SECTION

- ① LEFT TURN LANE IN MEDIAN
- ② EXISTING CURB AND GUTTER
- ③ EXISTING PORTLAND CEMENT CONCRETE PAVEMENT, 6"
- ④ EXISTING HOT MIX ASPHALT OVERLAY, 8"
- ⑤ EXISTING PORTLAND CEMENT CONCRETE PAVEMENT, 10"
- ⑥ EXISTING HOT MIX ASPHALT OVERLAY, 2 1/2"
- ⑦ EXISTING AREA REFLECTIVE CRACK CONTROL TREATMENT SYSTEM A

MODEL: Default  
 FILE NAME: \\c:\programdata\terrapoint\projects\2022\22-129 [DOT] Work Orders\Design\130 - Drawings\22-129-006 Patching and Rehabilitation\CAD\_Sheets\22-129-006\_TYP\_SH1\_4.dgn



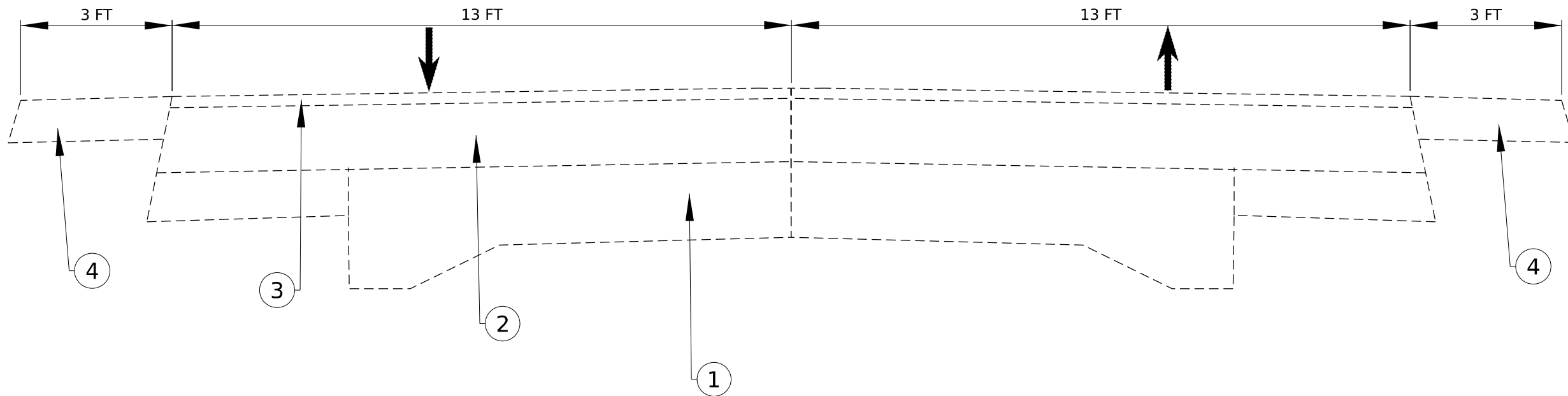
USER NAME = PaytonC	DESIGNED -	REVISED -
PLOT SCALE = 20,0763' / in.	DRAWN -	REVISED -
PLOT DATE = 3/10/2022	CHECKED -	REVISED -
	DATE -	REVISED -

**STATE OF ILLINOIS**  
**DEPARTMENT OF TRANSPORTATION**

**EXISTING TYPICAL SECTION**  
**BUS US ROUTE 24**

SCALE: SHEET 10 OF 11 SHEETS STA. TO STA.

F.A.P RTE.	SECTION	COUNTY	TOTAL SHEETS	SHEET NO.
399	(35,36;127)PP	TAZEWELL	11	10
CONTRACT NO. 68H05			ILLINOIS FED. AID PROJECT	



EXISTING TYPICAL SECTION #5  
IL ROUTE 122

STA. 764+72.5 TO STA. EQ. 807.98(BK) = 2+50 (AH)

- ① EXISTING PAVEMENT (9,6,9)
- ② EXISTING HOT MIX ASPHALT OVERLAY, ±4"
- ③ EXISTING SURFACE COARSE, 1 1/2"
- ④ EXISTING AGGREGATE SHOULDER

MODEL: D:\dell\p...  
 FILE NAME: p...  
 C:\Users\p...  
 2022\22-23\DOT Work Orders\Design\00 - Drawings\22-23-006 Paving and HMA\CAD\CAD Sheets\22-23-006\_TYP\_SHT\_5.dgn



USER NAME = PaytonC	DESIGNED -	REVISED -
PLOT SCALE = 5.0076" / in.	DRAWN -	REVISED -
PLOT DATE = 3/10/2022	CHECKED -	REVISED -
	DATE -	REVISED -

**STATE OF ILLINOIS  
DEPARTMENT OF TRANSPORTATION**

**EXISTING TYPICAL SECTION  
IL ROUTE 122**

SCALE: SHEET 11 OF 11 SHEETS STA. TO STA.

F.A.P. RTE.	SECTION	COUNTY	TOTAL SHEETS	SHEET NO.
399	(35,36;127)PP	TAZEWELL	11	11
CONTRACT NO. 68H05				
ILLINOIS FED. AID PROJECT				