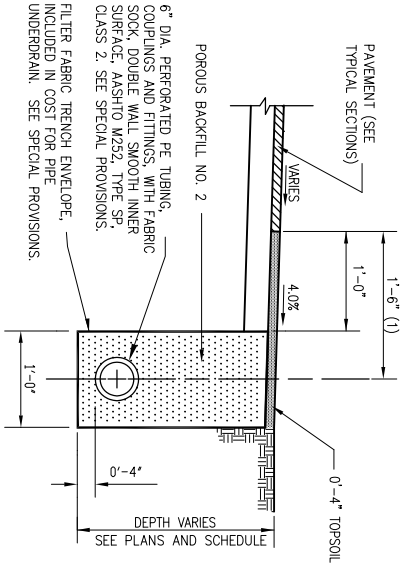
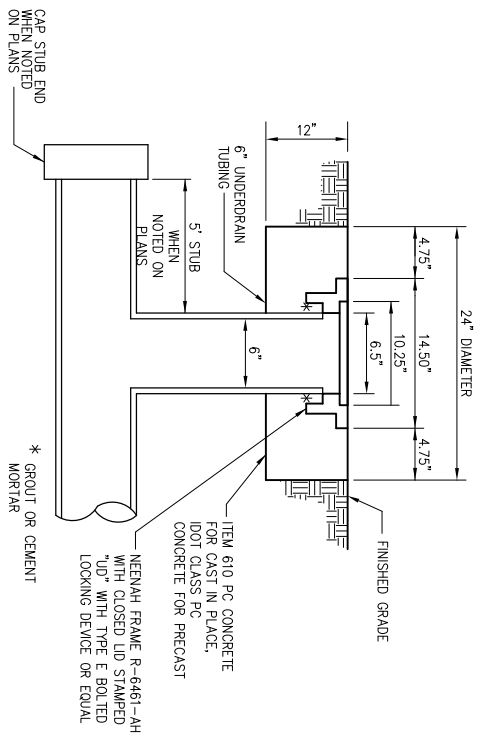


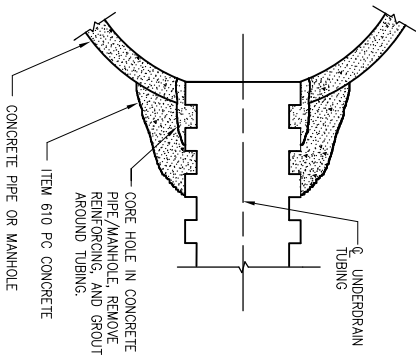
**UNDERDRAIN CLEANOUT**



**UNDERDRAIN ALONG PAVEMENT EDGE**



**UNDERDRAIN INSPECTION HOLE**



**STORM SEWER CONCRETE COLLAR AND GROUT CONNECTION**

DETAILS SHOWN ARE NOT TO SCALE

**UNDERDRAIN DETAILS**

REHABILITATE NORTH HANGAR PAVEMENTS,  
 IDA No. LOT-4020 AIP No. 3-17-0140-B48



©Copyright Hanson Professional Services Inc. 2011

**Hanson Professional Services Inc.**  
 815 Commerce Drive Suite 200  
 Oak Brook, Illinois 60523

Hanson No. 10A0072  
 Filename 30-UNDERDRAIN DETAILS.DWG  
 Scale  
 Date APRIL 22, 2011

LAYOUT	KMS	02/28/11
DRAWN	KMS	02/28/11
REVIEWED	RMH	4/22/11

**Chicago-Romeoville Airport**  
**JOLIET REGIONAL PORT DISTRICT**  
 1 George Michas Drive  
 Romeoville, Illinois 60446  
 Telephone: 815.838.9497  
 Fax: 815.838.9524

DATE	REVISION