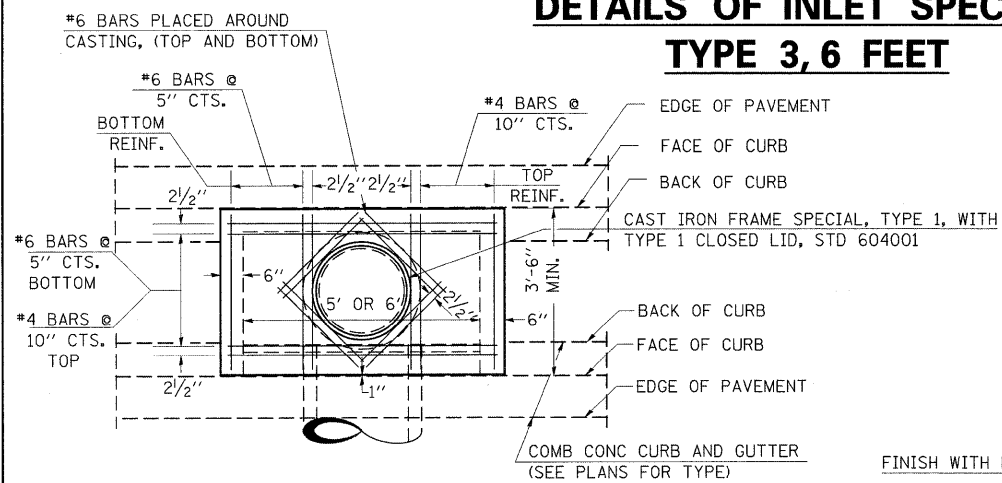
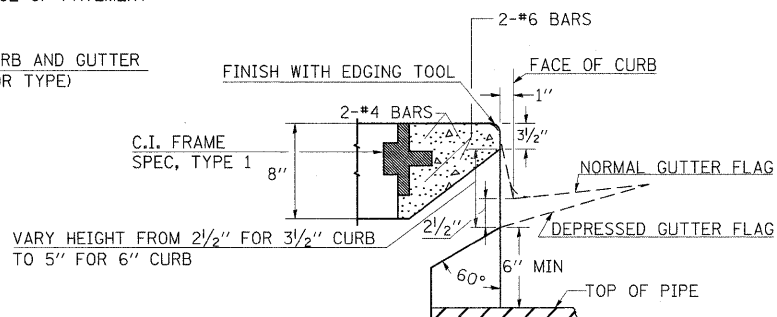


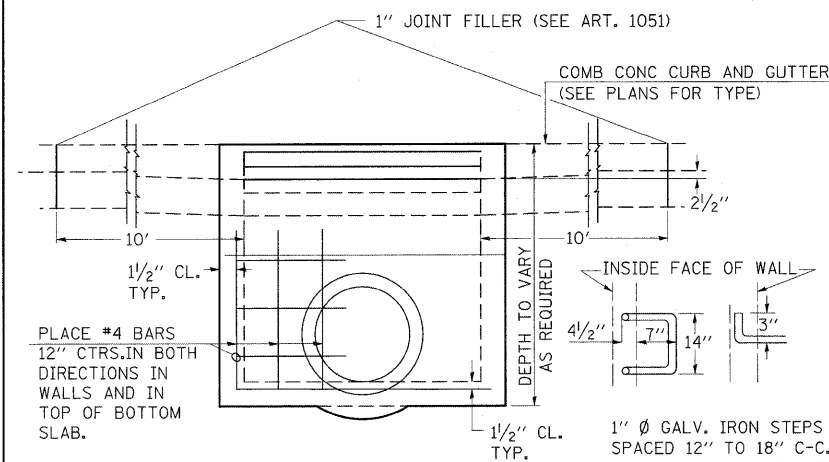
DETAILS OF INLET SPECIAL, TYPE 3, 6 FEET



PLAN



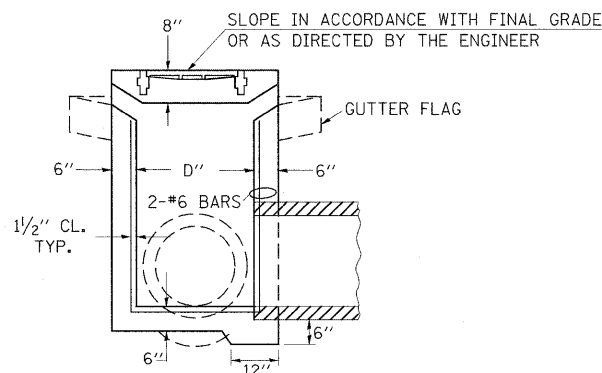
SECTION AT WEIR



ELEVATION

DESIGN	PIPE DIA	"D"
A	18" X LESS	2'-6"
B	21" X 24"	3'-0"
C	27" X 30"	3'-7"
D	33" X 36"	4'-2"
E	42"	4'-9"
F	48"	5'-0"
G	54"	6'-1"

1" Ø GALV. IRON STEPS **
SPACED 12" TO 18" C-C.
USE WHEN INLET IS OVER
4' DEEP.



SECTION

NOTES:

PROVIDE 1/2" CLEARANCE TYP. ALL REINFORCEMENT UNLESS OTHERWISE SPECIFIED.

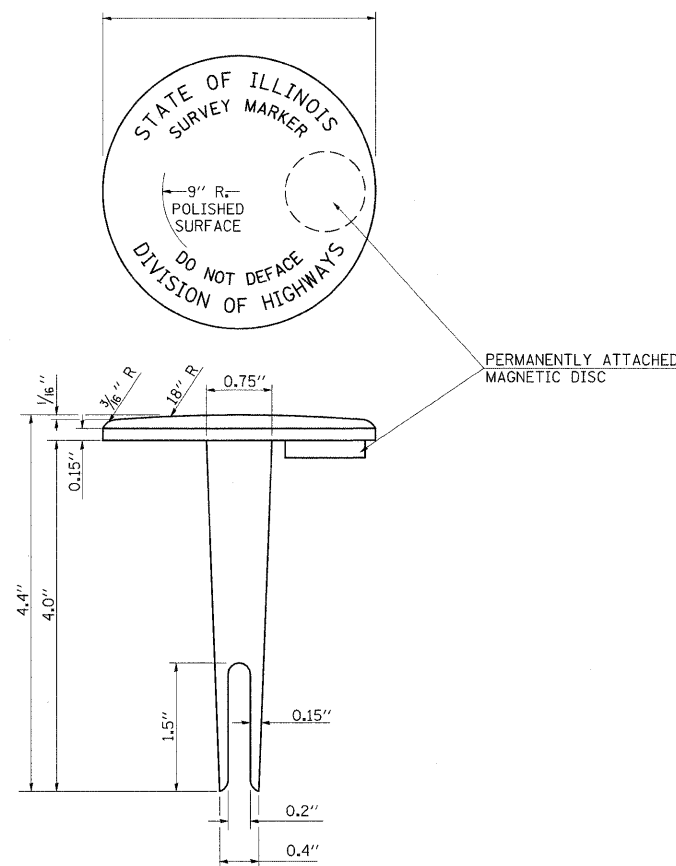
CLASS SI CONCRETE SHALL BE USED THROUGHOUT. SET FACE OF INLET 1" BEHIND FACE OF CURB. DEPRESS GUTTER FLOWLINE AT INLET 2 1/2" BELOW NORMAL GUTTER FLOWLINE. CONSTRUCT TRANSITION IN FLOWLINE IN 10 FEET EACH SIDE OF INLET. PIPES TO BE CONNECTED TO INLET AS SHOWN ON STORM SEWER LAYOUT.

INLETS WILL BE PAID FOR AT THE CONTRACT UNIT PRICE EACH FOR **INLETS SPECIAL, OR INLETS SPECIAL, NO. ---** WHICH PRICE SHALL INCLUDE THE CAST IRON FRAME, SPECIAL, TYPE 1 WITH TYPE 1 CLOSED LID, THE REINFORCEMENT BARS, METAL STEPS AND JOINT FILLER.

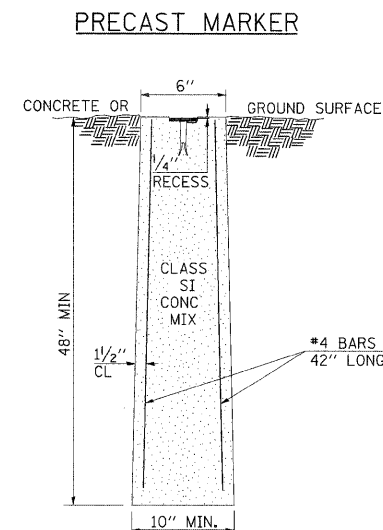
**THE GALVANIZED IRON STEPS AS DETAILED HEREON ARE TYPICAL. STEPS OF OTHER DESIGN AND MATERIAL THAT WILL CONFORM TO THE MINIMUM REQUIREMENTS OF THE STEPS SHOWN, MAY BE USED WHEN APPROVED BY THE ENGINEER.

IF THE INLET IS NOT CAST IN PLACE THEN THE INLET SHALL BE PRODUCED ACCORDING TO THE DEPARTMENT'S CURRENT POLICY MEMORANDUM, "QUALITY CONTROL/QUALITY ASSURANCE PROGRAM FOR PRECAST CONCRETE PRODUCTS".

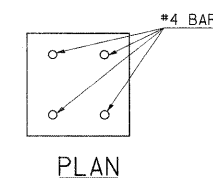
DETAILS OF PERMANENT SURVEY MARKERS



TABLET - BRONZE OR ALUMINUM



SECTION



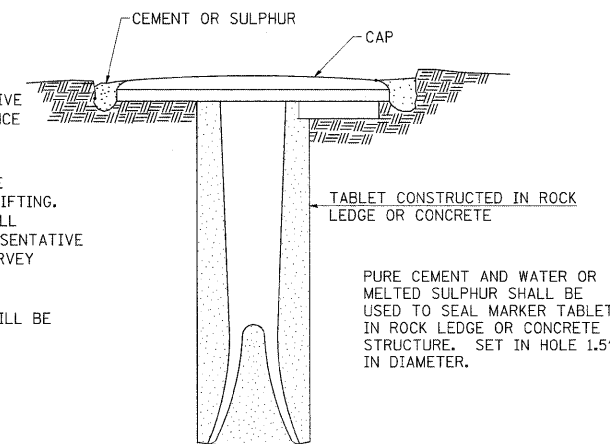
PLAN

NOTES

1. ACTUAL LOCATIONS TO BE DETERMINED BY THE ENGINEER AND A REPRESENTATIVE FROM THE BUREAU OF DESIGN AFTER GRADING IS COMPLETE AND SIGHT DISTANCE CAN BE DETERMINED BETWEEN SURVEY MARKER LOCATIONS.

2. THE MARKERS SHALL BE PRECAST AND SHALL BE INSTALLED IN A WORKMANLIKE MANNER IN ORDER THAT THERE BE NO FUTURE SETTLEMENT OR HORIZONTAL SHIFTING. THE MONUMENT SHALL BE PLACED IN A WAY THAT THE SURVEY POINT WILL FALL WITHIN THE PORTION OF THE PLAQUE PROVIDED FOR THAT PURPOSE. A REPRESENTATIVE FROM THE BUREAU OF PROGRAM DEVELOPMENT WILL LOCATE AND ETCH THE SURVEY POINT ON THE TABLET.

3. THE CONTRACT UNIT PRICE FOR PERMANENT SURVEY MARKERS TYPE II WILL BE PAYMENT IN FULL FOR FURNISHING AND INSTALLING THE MARKER.



PURE CEMENT AND WATER OR MELTED SULPHUR SHALL BE USED TO SEAL MARKER TABLET IN ROCK LEDGE OR CONCRETE STRUCTURE. SET IN HOLE 1.5" IN DIAMETER.

TOTAL QUANTITY FOR
PERMANENT SURVEY MARKERS= 23

REVISIONS	
REDRAWN	2-15-89
REVISED	8-15-94
REVISED	1-19-95
REVISED	5-6-04
RESIZED	5-6-08

STD. 9-1

FILE NAME =	USER NAME = #USER#	DESIGNED -	REVISED -	STATE OF ILLINOIS DEPARTMENT OF TRANSPORTATION	DETAILS: INLET SPECIAL, TYPE 3, 6 FEET, PERMANENT SURVEY MARKERS	F.A.P. RTE.	SECTION	COUNTY	TOTAL SHEETS	SHEET NO.	
#FILE#		DRAWN -	REVISED -			869	(1-1,1,3,6)R-1,RS-3(1,3,6)B-2	*	299	164	
		CHECKED -	REVISED -			CONTRACT NO. 98797					
		DATE -	REVISED -			SCALE:	SHEET NO. OF SHEETS	STA. TO STA.	ILLINOIS FED. AID PROJECT		
						*PERRY & FRANKLIN COUNTIES					