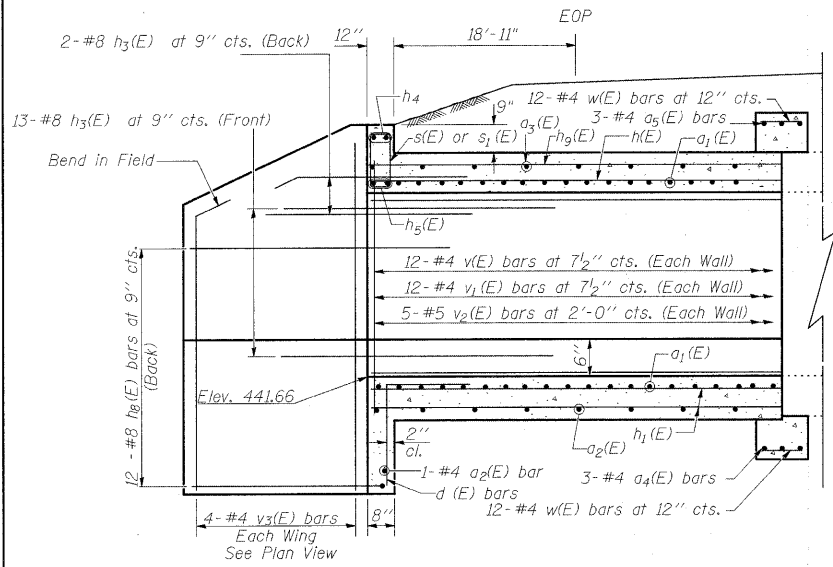


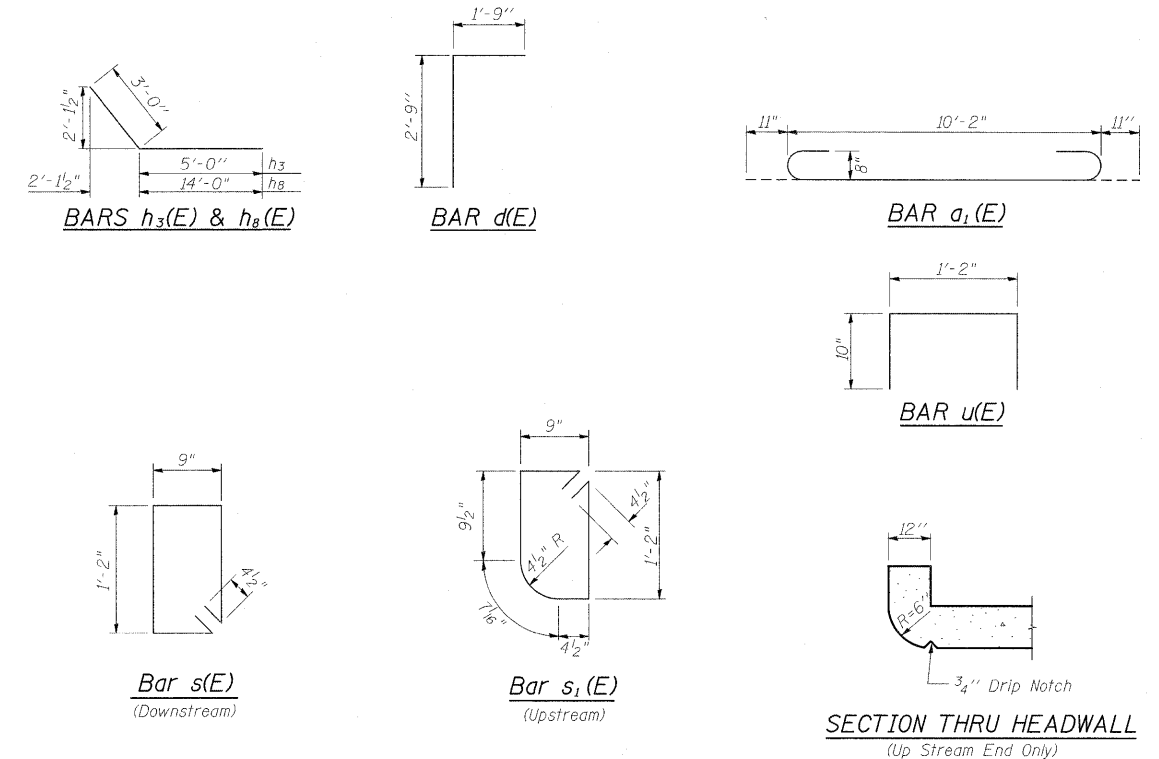
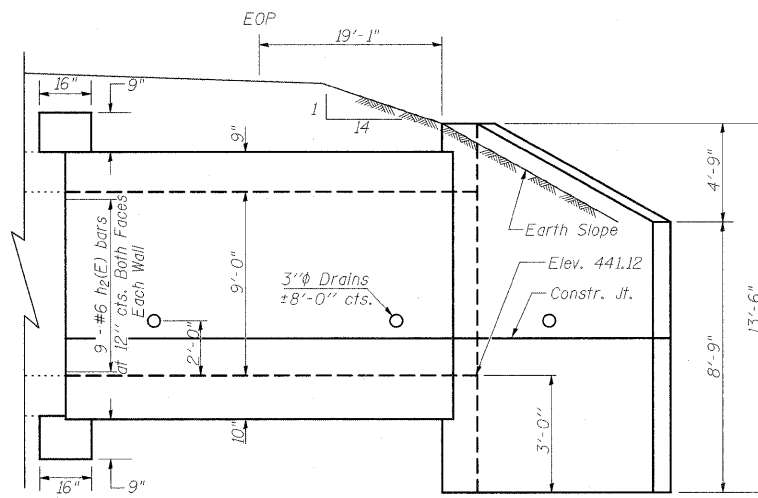
STATE OF ILLINOIS  
DEPARTMENT OF TRANSPORTATION

Max. Fill at  $\perp$  Roadway =  $\pm 2'-0"$



**ELEVATION**

Dimensions at Rt. L's to  $\perp$  Roadway



**BILL OF MATERIAL**

(For Both Extensions)

Bar No.	Size	Length	Shape
a <sub>1</sub> (E)	36 #8	12'-0"	U
a <sub>2</sub> (E)	10 #4	9'-3"	—
a <sub>3</sub> (E)	16 #5	10'-2"	—
a <sub>4</sub> (E)	4 #4	11'-4"	—
a <sub>5</sub> (E)	12 #4	14'-10"	—
d(E)	26 #4	4'-6"	—
h(E)	20 #7	6'-8"	—
h <sub>1</sub> (E)	36 #5	6'-8"	—
h <sub>2</sub> (E)	72 #6	6'-8"	—
h <sub>3</sub> (E)	60 #8	8'-0"	—
h <sub>4</sub> (E)	4 #6	10'-8"	—
h <sub>5</sub> (E)	4 #8	10'-8"	—
h <sub>8</sub> (E)	48 #8	17'-0"	—
h <sub>9</sub> (E)	24 #4	6'-8"	—
s(E)	12 #4	4'-7"	□
s <sub>1</sub> (E)	12 #4	4'-5"	□
u(E)	24 #4	2'-10"	—
v(E)	52 #4	9'-1"	—
v <sub>1</sub> (E)	48 #4	2'-4"	—
v <sub>2</sub> (E)	20 #5	10'-2"	—
v <sub>3</sub> (E)	16 #4	13'-3"	—
v <sub>4</sub> (E)	12 #4	10'-3"	—
w(E)	92 #4	1'-0"	—
Concrete Box Culverts	Cu. Yd.	57.8	
Reinforcement Bars, Epoxy Coated	Pound	7520	

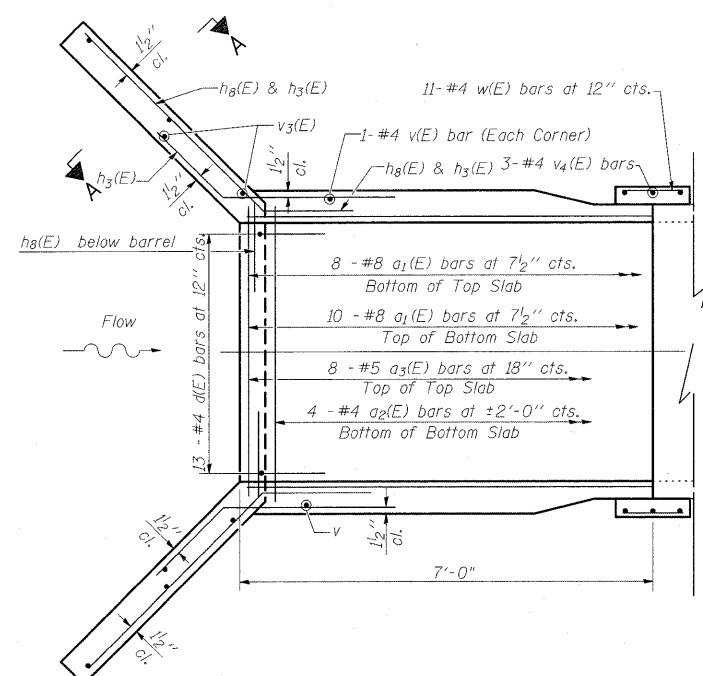
**BOX CULVERT EXTENSION**

F.A.P. 869 (IL 14)

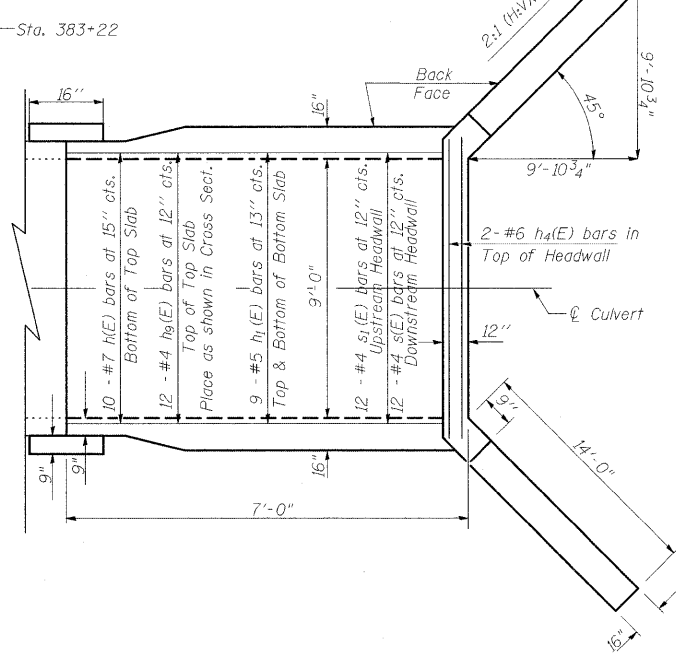
FRANKLIN COUNTY

STA. 383+22

SN 028-7119



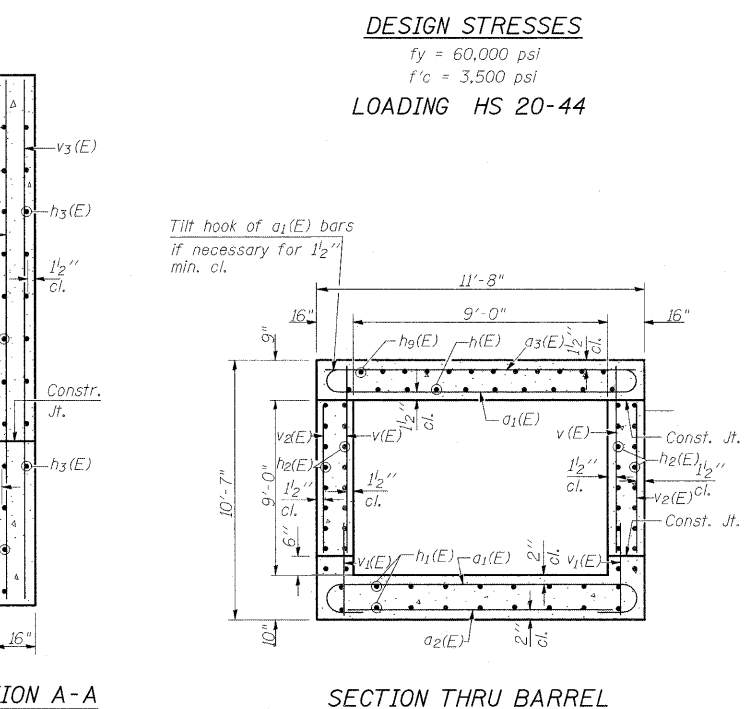
**PLAN**



**NOTES**

Reinforcement Bars shall conform to the requirements of AASHTO M-31, M-42 or M-53, Grade 60.  
A distance of half the length of the wingwall but not less than six feet of the barrel shall be poured monolithically with the wingwalls.

All construction joints shall be bonded.  
Reinforcement bars designated (E) shall be epoxy coated.



**DESIGN STRESSES**

$f_y = 60,000$  psi

$f'_c = 3,500$  psi

LOADING HS 20-44

Tilt hook of a<sub>1</sub>(E) bars if necessary for 1 1/2" min. cl.

**REVISIONS**

NO.	DATE	DESCRIPTION
DRAWN	2-04	
REVISED	5-09	SHT CELL
REVISED		
REVISED		

BASED ON: SSB-H-0 6-1-2000

FILE NAME	USER NAME	DESIGNED	REVISIONS
c:\pwwork\pwsdot\colemm\dms43654\billb\culvert.dgn	colemm	-	-
		DRAWN	REVISIONS
		CHECKED	REVISIONS
		DATE	REVISIONS

STATE OF ILLINOIS  
DEPARTMENT OF TRANSPORTATION

GENERAL PLAN AND ELEVATION  
SN 028-7119

SCALE: SHEET NO. OF SHEETS STA. TO STA.

F.A. RTE.	SECTION	COUNTY	TOTAL SHEETS	SHEET NO.
869	*	FRANKLIN	299	157
* (1-1,1,3,6)R-1,RS-3;(1,3,6)B-2			CONTRACT NO. 98797	
ILLINOIS FED. AID PROJECT				