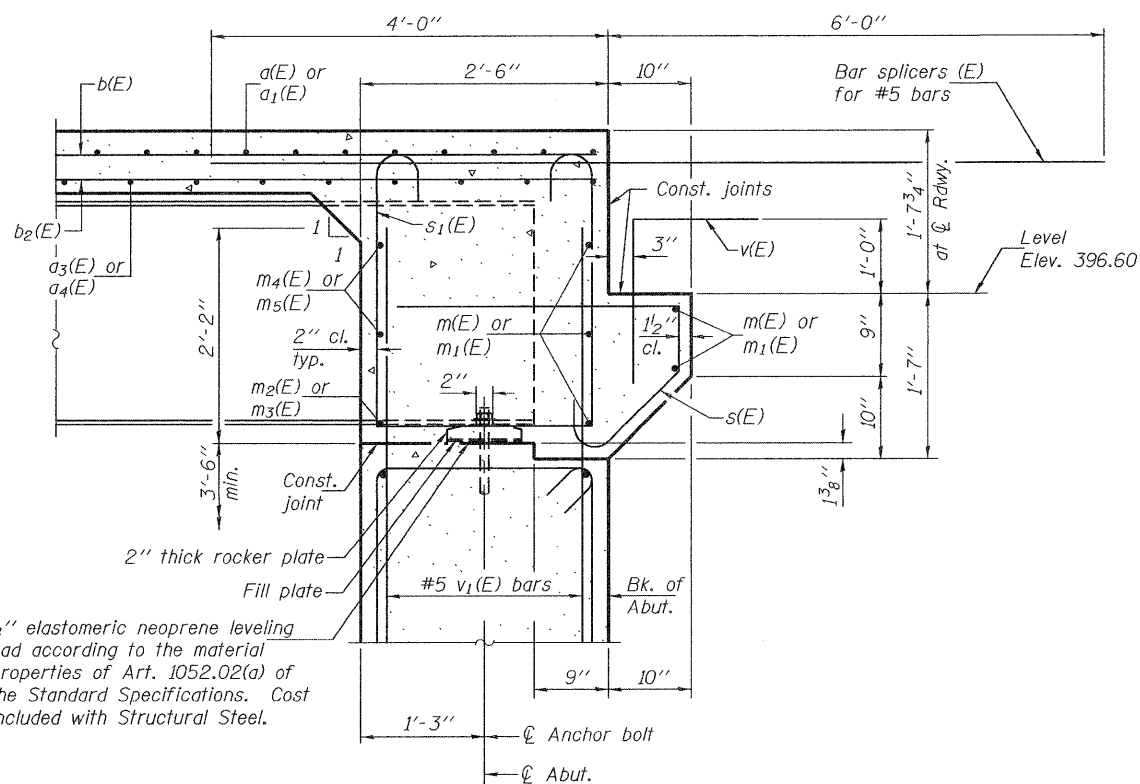


DIAPHRAGM ELEVATION AT EAST ABUTMENT
(Looking east - West abutment similar)



SECTION A-A

Notes: Reinforcement bars in diaphragm are billed with superstructure on sheet 11 of 26.
Concrete in diaphragm is included with Concrete Superstructure on sheet 11 of 26.
For details of bars $s(E)$ & $s_1(E)$ see sheet 11 of 26.
For bar splicer (E) details see sheet 20 of 26.

MIN. BAR LAP
#6 bar = 3'-4"

DESIGNED - Jessica C. Forrest
CHECKED - Nicholas R. Barnett
DRAWN - h.t. duong
CHECKED - JCF/NRB

EXAMINED *Thomas J. Demagalaki*
PASSED *Paul Perry*
ENGINEER OF BRIDGES AND STRUCTURES

DATE - 5/10/2011

STATE OF ILLINOIS
DEPARTMENT OF TRANSPORTATION

DIAPHRAGM DETAILS
STRUCTURE NO. 073-0038

SHEET NO. 12 OF 26 SHEETS

F.A.P. RTE.	SECTION	COUNTY	TOTAL SHEETS	SHEET NO.
869	6B-2	*	293	142
CONTRACT NO. 98797			ILLINOIS FED. AID PROJECT	

*PERRY/FRANKLIN