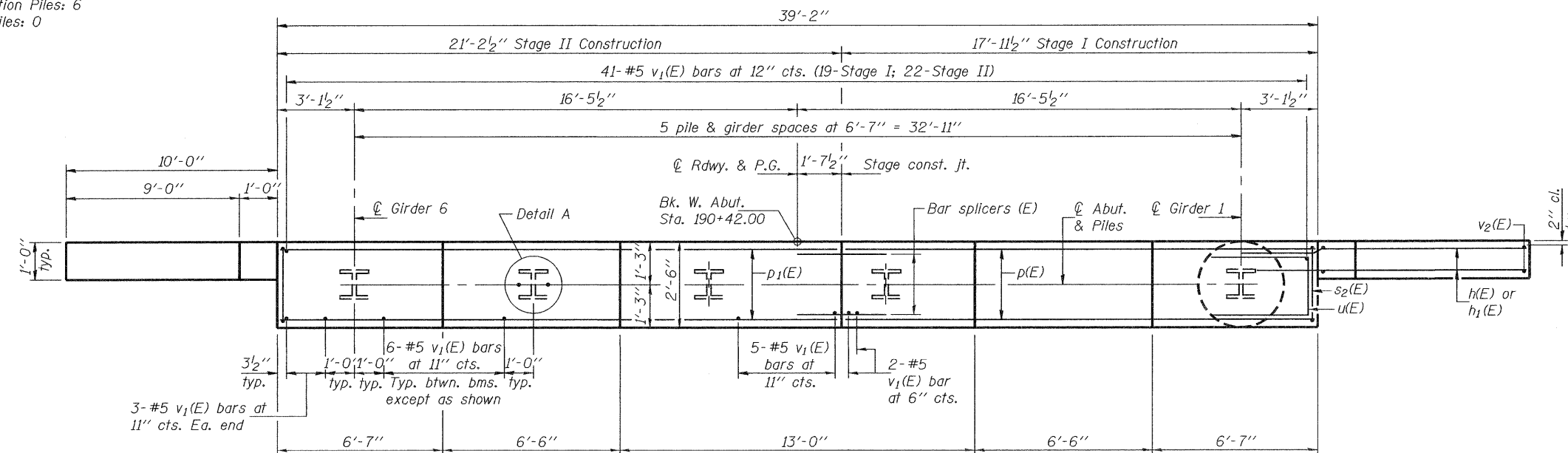


**PILE DATA**

Type: Steel HP 14x73  
 Nominal Required Bearing: 578 Kips  
 Factored Resistance Available: 289 Kips  
 Est. Length: 83'  
 No. Production Piles: 6  
 No. Test Piles: 0

**ELEVATION**  
 (Looking west)

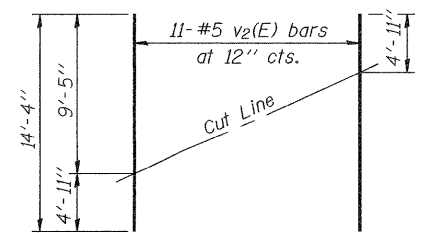


**PLAN**

**BILL OF MATERIAL**

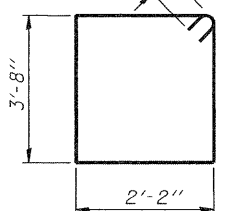
Bar	No.	Size	Length	Shape
h(E)	60	#7	12'-3"	—
h1(E)	4	#7	13'-4"	—
p(E)	11	#7	17'-7"	—
p1(E)	11	#7	20'-10"	—
s2(E)	37	#4	12'-5"	□
u(E)	10	#6	9'-9"	□
v1(E)	78	#5	4'-4"	—
v2(E)	22	#5	14'-4"	—
Structure Excavation		Cu. Yd.	113	
Concrete Structures		Cu. Yd.	20.7	
Reinforcement Bars, Epoxy Coated		Pound	3610	
Furnishing Steel Piles HP14x73		Foot	498	
Driving Piles		Foot	498	
Concrete Encasement		Cu. Yd.	3.3	
Anchor Bolts, 1" φ		Each	12	

Notes: Four steps monolithically with cap.  
 For details of piles and concrete encasement, see sheet 20 of 24.  
 For bar splicer details, see sheet 21 of 24.

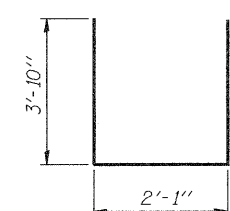


**FIELD CUTTING DIAGRAM**

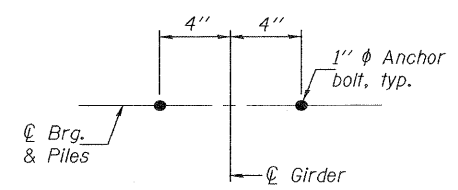
Order v2(E) full length. Cut as shown and use remainder of bars in opposite face.



**BAR s2(E)**



**BAR u(E)**



**DETAIL A**

DESIGNED - Michael D. Rolape  
 CHECKED - Jessica C. Forrest  
 DRAWN - h.t. duong  
 CHECKED - MDR/JCF

EXAMINED *Thomas J. Demagala* DATE - 5/10/2011  
 PASSED *Michael D. Rolape*  
 ENGINEER OF BRIDGES AND STRUCTURES

**STATE OF ILLINOIS**  
**DEPARTMENT OF TRANSPORTATION**

**WEST ABUTMENT**  
**STRUCTURE NO. 073-0036**

SHEET NO. 18 OF 24 SHEETS

F.A.P. RTE.	SECTION	COUNTY	TOTAL SHEETS	SHEET NO.
869	1B-2	PERRY	299	122
				CONTRACT NO. 98797
ILLINOIS FED. AID PROJECT				