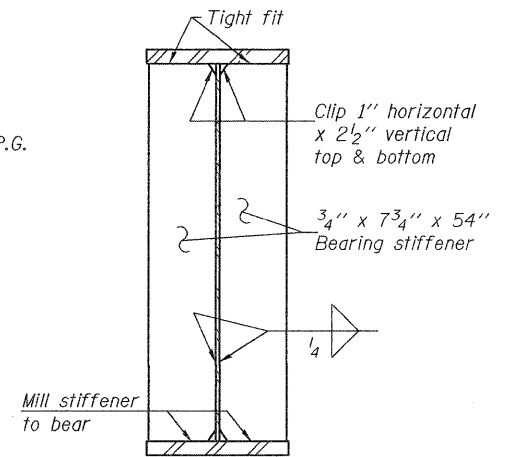
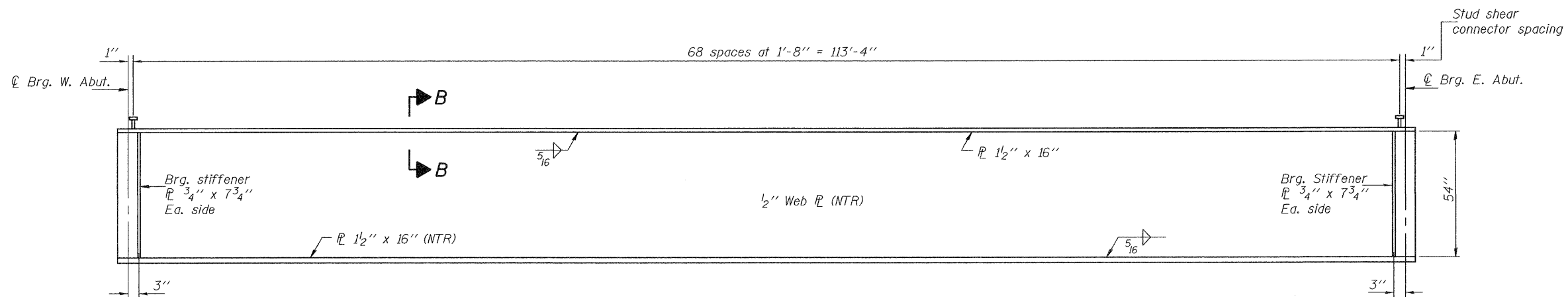


PLAN

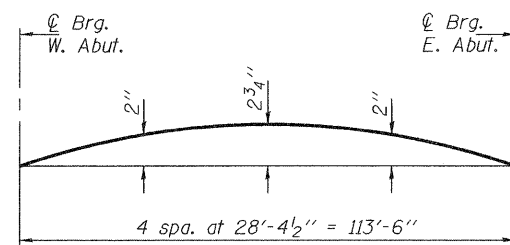


SECTION AT ABUTMENT

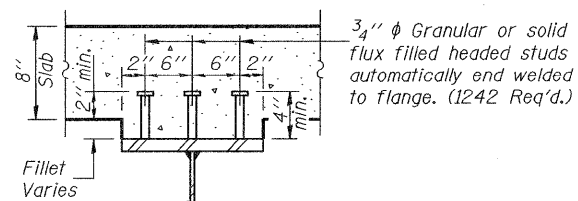


GIRDER ELEVATION

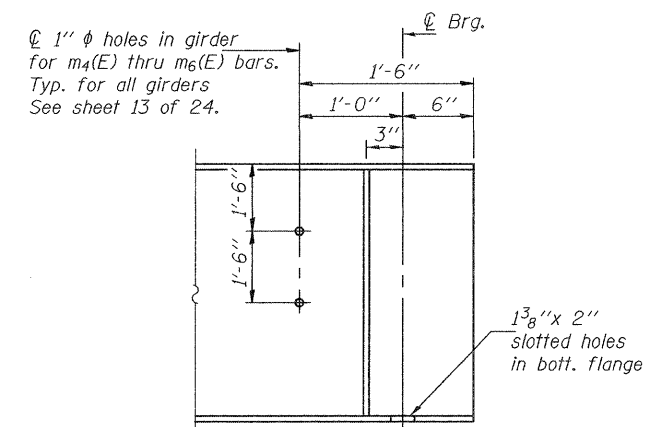
Notes: Load carrying components designated "NTR" shall conform to the Supplemental Requirements for Notch Toughness, Zone 2. Omit connecting plates on exterior side of exterior girder. All structural steel shall be AASHTO M 270, Grade 50W. All cross frames or diaphragms shall be installed as steel is erected and secured with erection pins and bolts.



CAMBER DIAGRAM



SECTION B-B



END OF GIRDER ELEVATION

DESIGNED - Michael D. Rolape
 CHECKED - Jessica C. Forrest
 DRAWN - h.t. duong
 CHECKED - MDR/JCF

EXAMINED
 PASSED
 Thomas J. Damagala
 ENGINEER OF BRIDGE DESIGN
 ENGINEER OF BRIDGES AND STRUCTURES

DATE - 5/10/2011

**STATE OF ILLINOIS
 DEPARTMENT OF TRANSPORTATION**

**STRUCTURAL STEEL
 STRUCTURE NO. 073-0036**

SHEET NO. 16 OF 24 SHEETS

F.A.P. RTE.	SECTION	COUNTY	TOTAL SHEETS	SHEET NO.
869	1B-2	PERRY	299	129
				CONTRACT NO. 98797
ILLINOIS FED. AID PROJECT				