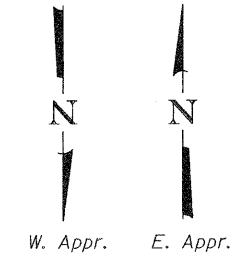
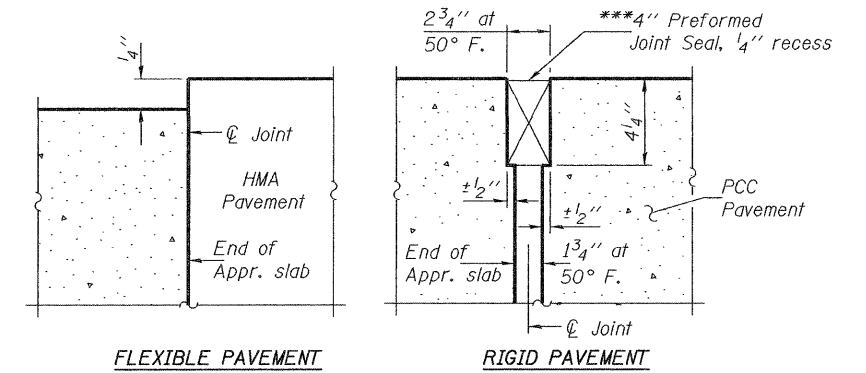


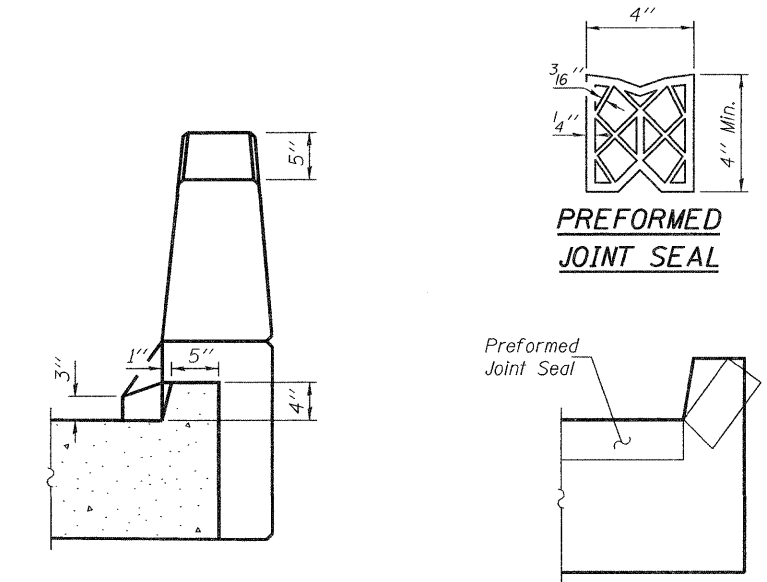
Notes: See sheet 15 of 24 for Sections C-C & D-D and View E-E.
 a_{100} (E), a_{101} (E), a_{102} (E), a_{103} (E), w_{100} (E) and w_{101} (E) bar spacings measured perpendicular to ϕ Rdwy.



***Cost included with Concrete Superstructure.



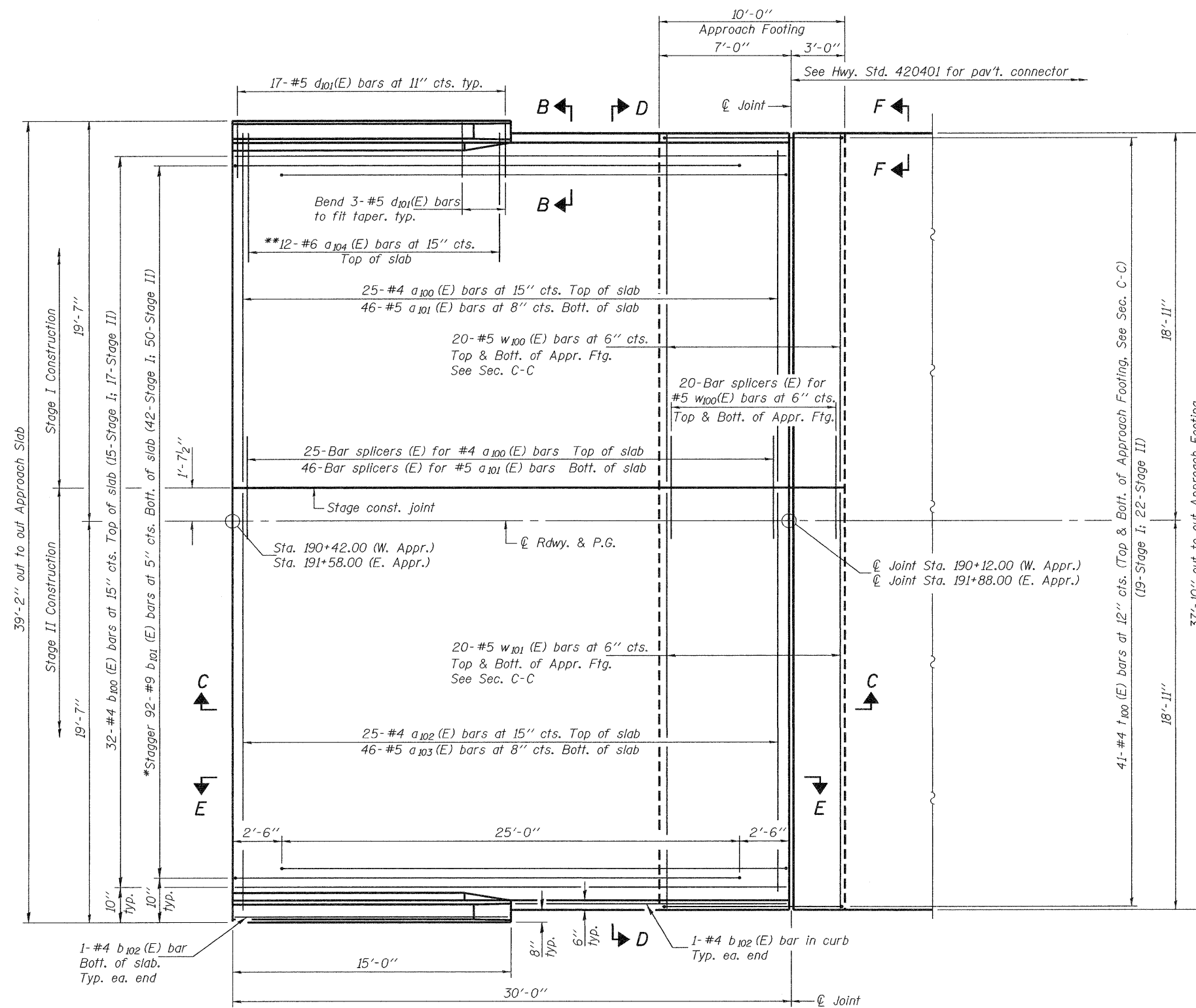
DETAIL A



VIEW B-B

VIEW F-F

Angle Preformed Joint Seal at 45° at curbs when req'd for drainage.



PLAN

(East Approach shown - West Approach similar by mirror image)

*Tilt #9 b_{101} (E) bars as required to maintain clearance.
 **Spaced between a_{100} (E) & a_{102} (E) bars, typ. ea. parapet.

BA-0 7-1-10

DESIGNED - Michael D. Rolape	EXAMINED - Thomas J. Damagala	DATE - 5/10/2011
CHECKED - Jessica C. Forrest	PASSED - [Signature]	
DRAWN - h.f. duong		
CHECKED - MDR/JCF		

ENGINEER OF BRIDGE DESIGN	ENGINEER OF BRIDGES AND STRUCTURES
---------------------------	------------------------------------

STATE OF ILLINOIS
 DEPARTMENT OF TRANSPORTATION

BRIDGE APPROACH SLAB DETAILS
 STRUCTURE NO. 073-0036

SHEET NO. 14 OF 24 SHEETS

F.A.P. RTE.	SECTION	COUNTY	TOTAL SHEETS	SHEET NO.
869	1B-2	PERRY	2-99	118
CONTRACT NO. 98797			ILLINOIS FED. AID PROJECT	