

SEE CROSS SECTIONS FOR LOCATIONS OF THE SLOPE BREAKS.

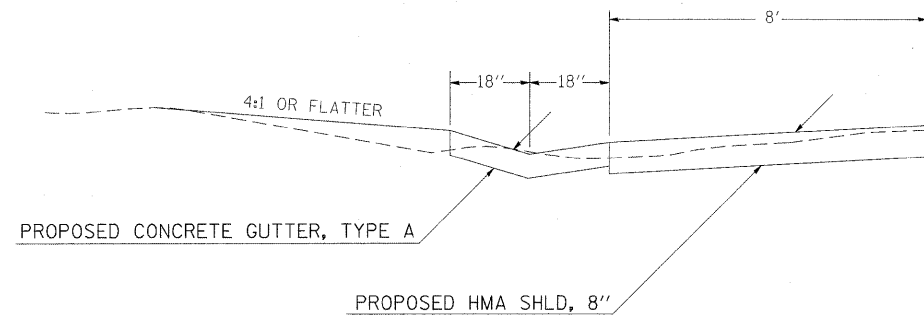
**TO BE USED:**

- STA 177+00 TO STA 187+70
- STA 194+37 TO STA 219+73
- STA 232+71 TO STA 234+30
- STA 239+72 TO STA 380+64
- STA 385+30 TO STA 493+00

- V-GUTTER TO BE REMOVED :
- STA 434+00 TO STA 456+00 LT
  - STA 466+00 TO STA 490+70 RT

**NOTE:**

SEE THE LIGHTWEIGHT FILL DETAIL AT SN 073-2000 FOR LIMITS AT STA. 222+25 TO STA 222+75.



CONCRETE GUTTER, TYPE A TO BE CONSTRUCTED BEGINNING AT LT STA 375+74 AND ENDING AT LT STA 379+00 (8' HMA SHOULDER ENDS AT STA 378+36) SEE STANDARD 606101

\*BITUMINOUS SHOULDER REMOVAL SHALL BE INCLUDED IN THE COST OF EARTH EXCAVATION

\*\*V-GUTTER REMOVAL WILL BE PAID FOR AS GUTTER REMOVAL

FILE NAME = #FILEL#	USER NAME = #USER#	DESIGNED -	REVISED -	<b>STATE OF ILLINOIS DEPARTMENT OF TRANSPORTATION</b>	<b>TYPICAL SECTION</b>			F.A.P. RTE. 869	SECTION (1-1,1,3,6)R-1,RS-3(1,3,6)B-2	COUNTY *	TOTAL SHEETS 299	SHEET NO. 11
		DRAWN -	REVISED -		SCALE:	SHEET NO.	OF SHEETS	STA.	TO STA.	FED. ROAD DIST. NO.	ILLINOIS FED. AID PROJECT	CONTRACT NO. 98797
		PLOT SCALE = #SCALE#	REVISED -									
		PLOT DATE = #DATE#	REVISED -									

\*PERRY & FRANKLIN COUNTY