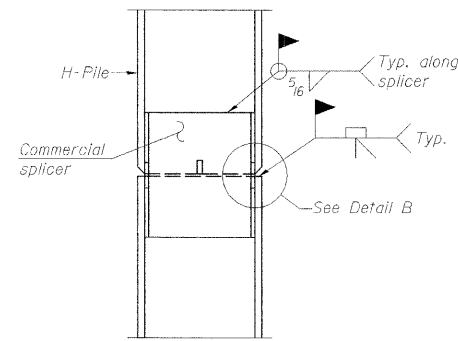
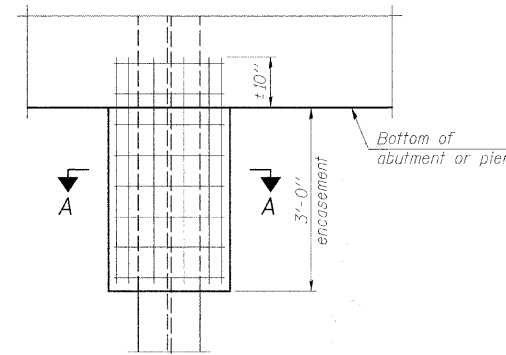


STEEL PILE TABLE

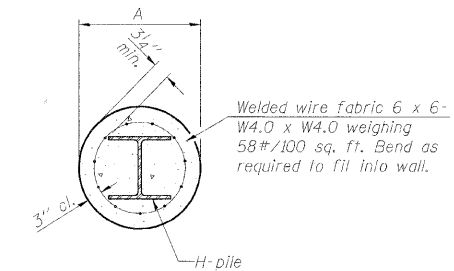
Designation	Depth d	Flange width b _f	Web and Flange thickness t	Encasement diameter A
HP 14x117	14 1/4"	14 7/8"	1 3/16"	30"
x102	14"	14 3/4"	1/16"	30"
x89	13 7/8"	14 3/4"	5/8"	30"
x73	13 5/8"	14 5/8"	1/2"	30"
HP 12x84	12 1/4"	12 1/4"	1/16"	24"
x74	12 1/8"	12 1/4"	5/8"	24"
x63	12"	12 1/8"	1/2"	24"
x53	11 3/4"	12"	7/16"	24"
HP 10x57	10"	10 1/4"	9/16"	24"
x42	9 3/4"	10 1/8"	7/16"	24"
HP 8x36	8"	8 1/8"	7/16"	18"



ELEVATION



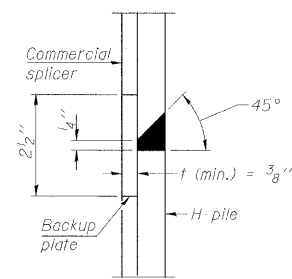
ELEVATION



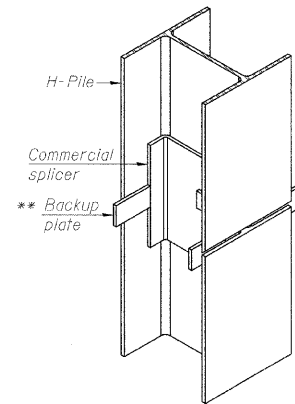
Note:
Forms for encasement may be omitted when soil conditions permit.

SECTION A-A

PILE ENCASEMENT

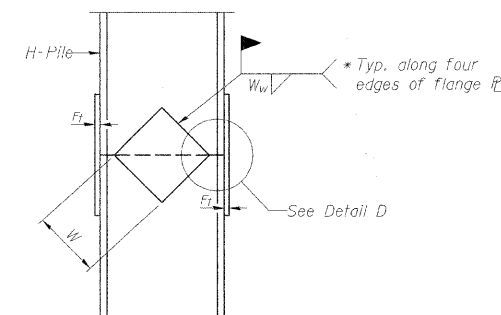


DETAIL "B"

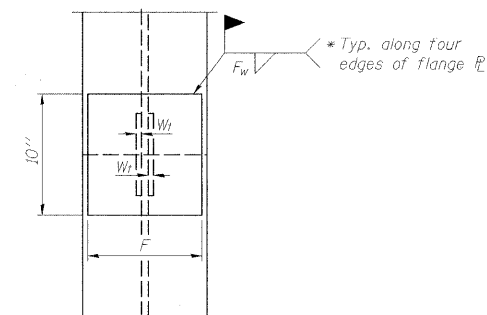


ISOMETRIC VIEW

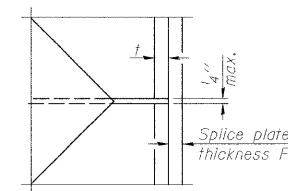
WELDED COMMERCIAL SPLICE



ELEVATION



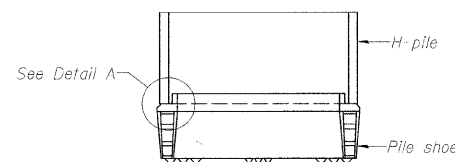
END VIEW



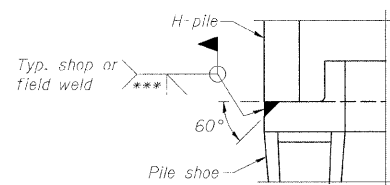
DETAIL D

Designation	F	F _l	F _w	W	W _l	W _w
HP 14x117	12 1/2"	1"	7/8"	7 3/4"	5 9/8"	1/2"
x102	12 1/2"	7/8"	3/4"	7 3/4"	5 9/8"	1/2"
x89	12 1/2"	3/4"	1/16"	7 3/4"	5 9/8"	1/2"
x73	12 1/2"	5/8"	9/16"	7 3/4"	5 9/8"	1/2"
HP 12x84	10"	7/8"	1/16"	6 1/2"	5 9/8"	1/2"
x74	10"	7/8"	1/16"	6 1/2"	5 9/8"	1/2"
x63	10"	5/8"	1/2"	6 1/2"	1/2"	3/8"
x53	10"	5/8"	1/2"	6 1/2"	1/2"	3/8"
HP 10x57	8"	3/4"	9/16"	5 1/4"	1/2"	3/8"
x42	8"	5/8"	9/16"	5 1/4"	1/2"	3/8"
HP 8x36	7"	5/8"	7/16"	4 1/4"	1/2"	3/8"

WELDED PLATE FIELD SPLICE

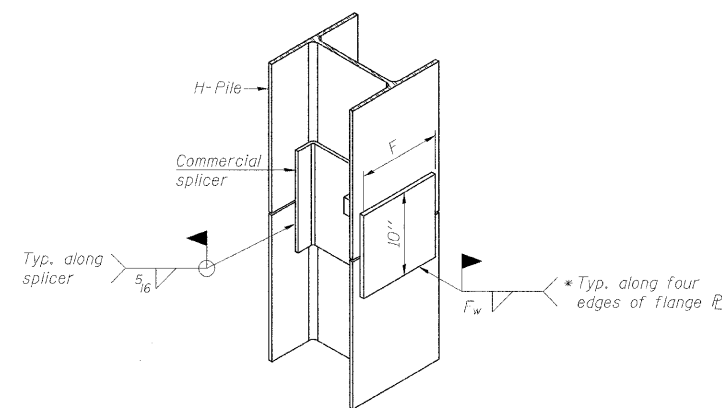


ELEVATION



DETAIL A

H-PILE SHOE ATTACHMENT



ISOMETRIC VIEW

WELDED COMMERCIAL SPLICE ALTERNATE

- * Interrupt welds 1/4" from end of web and/or each flange.
- ** Remove portions of backup plates that extend outside the flanges.
- *** Weld size per pile shoe manufacturer (5/16" min.).

Note:
The steel H-piles shall be according to AASHTO M270 Grade 50.

HP PILE DETAILS
STRUCTURE NO. 058-9201

HP PILE DETAILS

Date	Designed DCS	TR-939 (PARK DRIVE) OVER STEVENS CREEK SECTION 10-P4000-00-BR CITY OF DECATUR PARK DISTRICT STA. I4+97.71 PROP. STR. NO. 058-9201	Sheet No.
Revisions	Drawn BKN		13
	Checked KWB		
	Approved KWB		
Prepared by:	URS		

345 East Ash Avenue
Decatur, IL 62526

URS Job No.
36432943