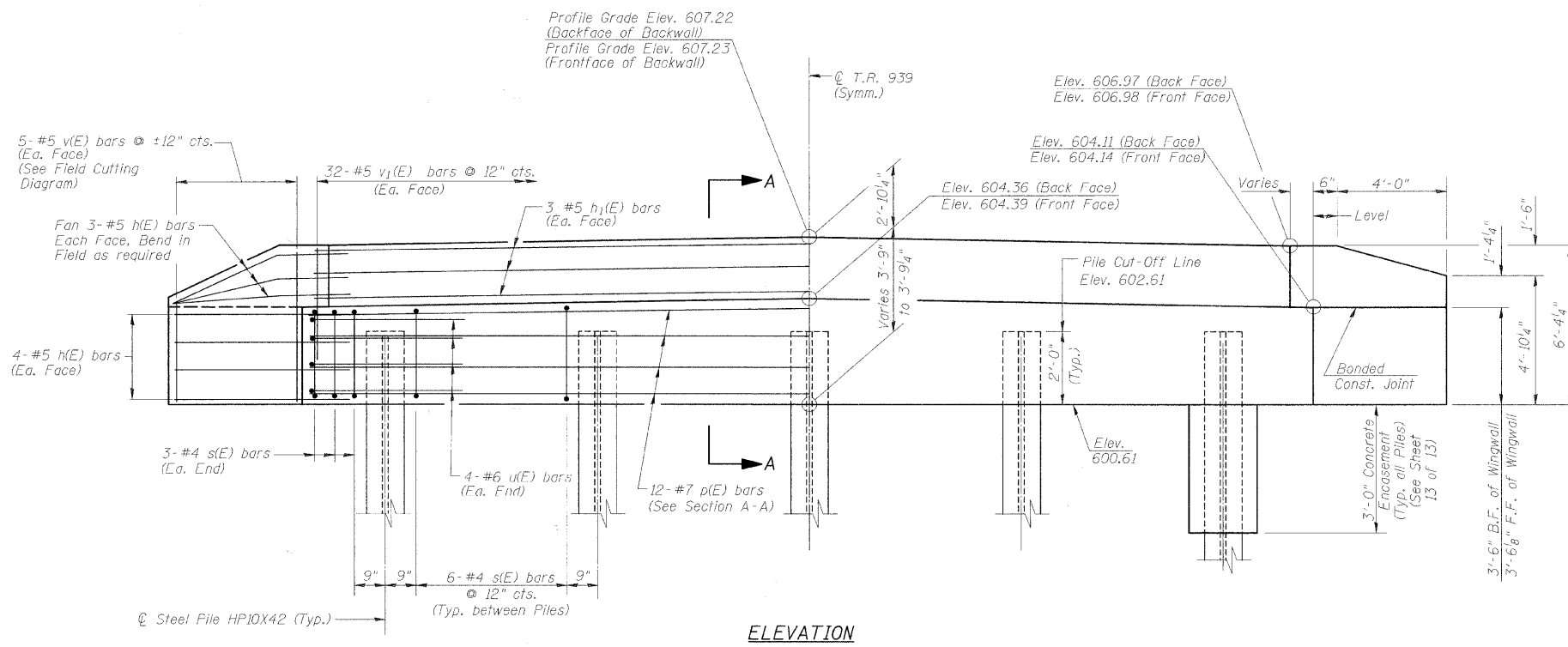
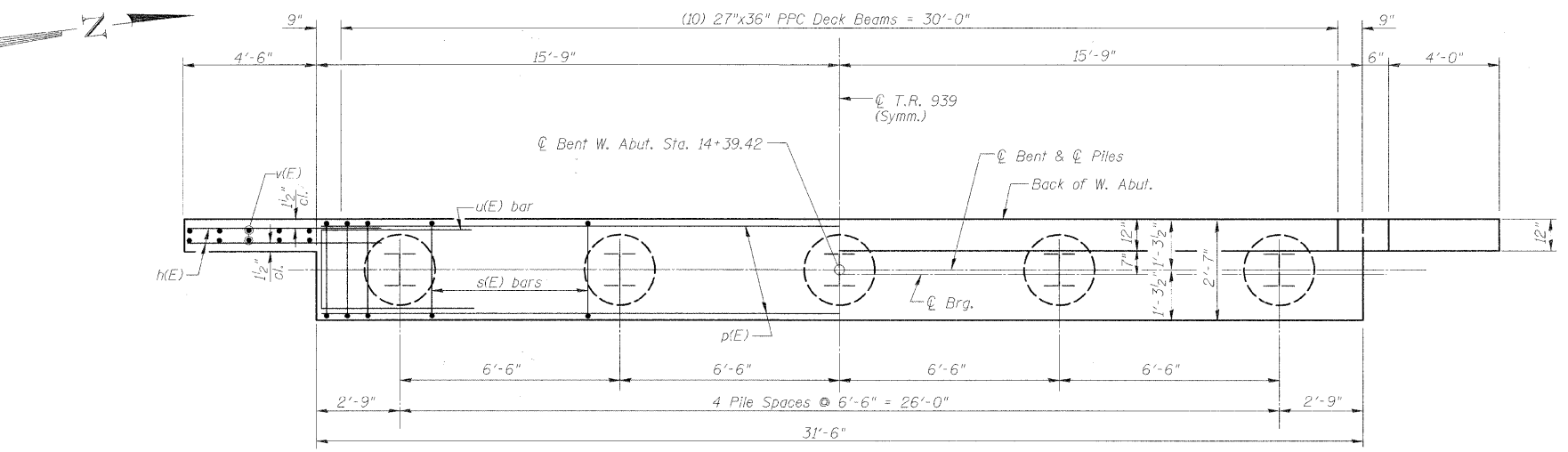


ROUTE NO.	SECTION	COUNTY	TOTAL SHEETS	SHEET NO.
T.R. 939	10-P4000-00-BR	MACON	21	17
FED. ROAD DIST. NO.	ILLINOIS PROJECT:			

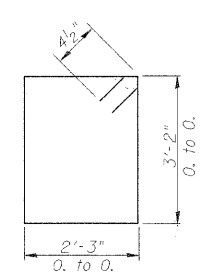
CONTRACT NO. 95660



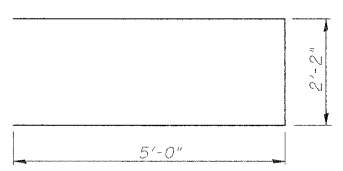
ELEVATION



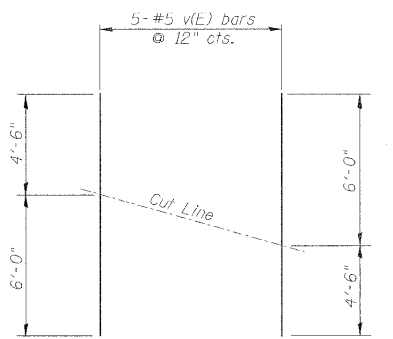
PLAN



BAR s(E)

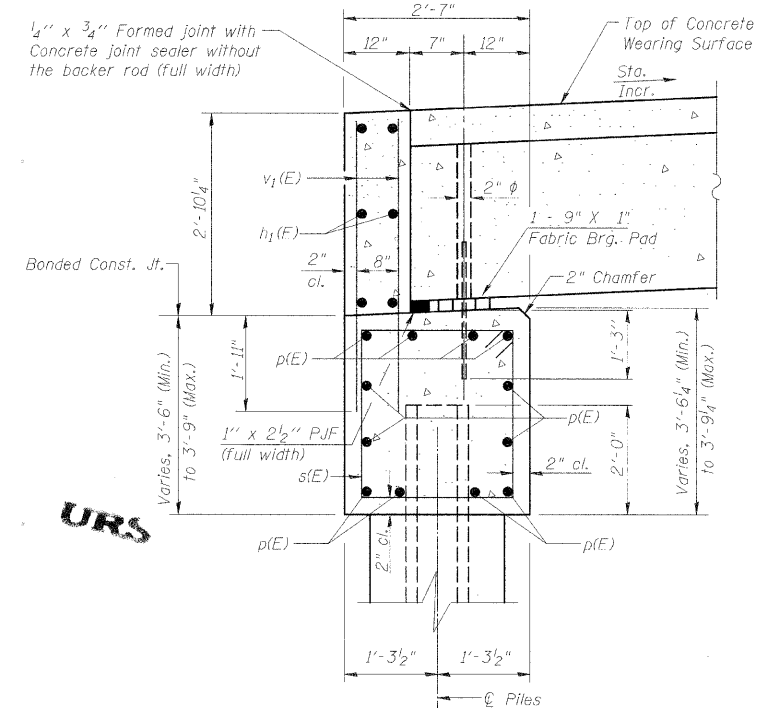


BAR u(E)



FIELD CUTTING DIAGRAM

Order bars full length. Cut to fit as shown and use remainder of bars in other face.



SECTION A-A

NOTES

- The Backwall and the portion of the Wingwalls above the bonded construction joint shall be cast against the in-place beams and concrete wearing surface.
- 1" dia. x 2'-6" dowel rods in 1/2" dia. holes drilled in cap (2 ea. beam). Dowel rods to be grouted after beams are in place and allowed to cure (min. 24 hrs.) prior to grouting the shear keys. The grout shall be an approved non-shrink grout.
- Reinforcement bars designated (C) shall be epoxy coated.
- Reinforcement bars shall conform to the requirements of A.S.T.M. A706 Grade 60. See Special Provisions.
- Space reinforcement in cap to miss dowel rods.

DESIGN STRESSES

$f'_c = 3,500 \text{ psi}$
 $f_y = 60,000 \text{ psi}$

PILE DATA

Type & Size: HP10x42
 Nominal Required Bearing: 335 Kips
 Factored Resistance Available: 184 Kips (Refusal)
 Est. Length: 21'-0"
 No. Required: 5

BILL OF MATERIAL

Bar	No.	Size	Length	Shape
h(E)	28	#5	6'-9"	—
h1(E)	6	#5	31'-2"	—
p(E)	12	#7	31'-2"	—
s(E)	30	#4	11'-7"	□
u(E)	8	#6	12'-2"	—
v(E)	10	#5	10'-6"	—
v1(E)	64	#5	4'-8"	—
Concrete Structures			Cu. Yd.	16.2
Concrete Encasement			Cu. Yd.	1.8
Reinforcement Bars, Epoxy Coated			Pound	1960
Furnishing Steel Piles HP10x42			Foot	105
Driving Piles			Foot	105

WEST ABUTMENT			
Date	Designed DCS	TR-939 (PARK DRIVE) OVER STEVENS CREEK SECTION 10-P4000-00-BR DECATUR PARK DISTRICT STA. 14+97.71 PROP. STR. NO. 058-9201	Sheet No.
Revisions	Drawn BKN		9
	Checked KWB		
	Approved KWB		
Prepared by:	345 East Ash Avenue Decatur, IL 62526		of 13 URS Job No. 36432943