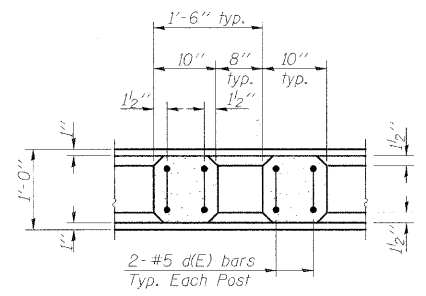
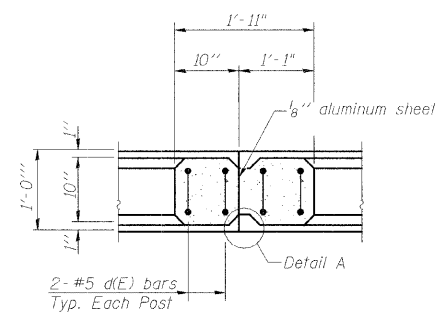


ROUTE NO.	SECTION	COUNTY	TOTAL SHEETS	SHEET NO.
T.R. 939	10-P4000-00-BR	MACON	21	16
FED. ROAD DIST. NO.	ILLINOIS PROJECT:			

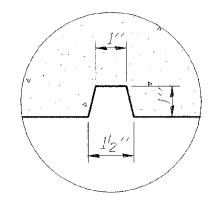
CONTRACT NO. 95660



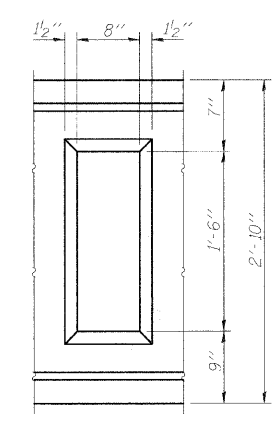
SECTION E-E



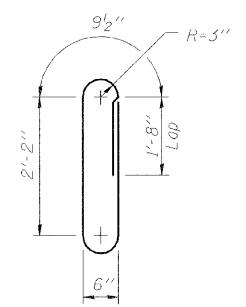
SECTION F-F
(For span greater than 50'-0'')



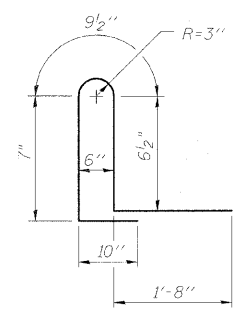
DETAIL A



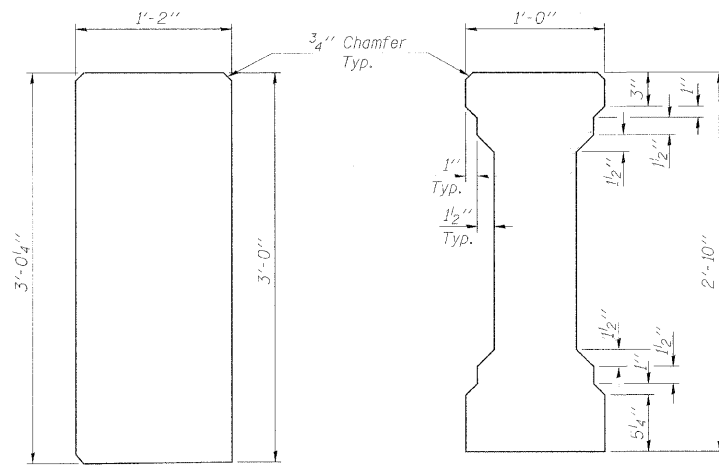
WINDOW DETAIL



BAR d(E)



BAR d1(E)



PIER PILASTER JOINT

SPAN PILASTER JOINT

MIN. BAR LAP
#5 bars = 2'-6"
#7 bars = 3'-11"

ALUMINUM JOINT DETAILS

**SUPERSTRUCTURE
BILL OF MATERIAL**

Bar	No.	Size	Length	Shape
d(E)	118	#4	29'-8"	—
d1(E)	234	#4	6'-0"	—
b(E)	136	#4	31'-2"	—
d1(E)	256	#5	4'-5"	⌒
Reinforcement Bars, Epoxy Coated		Pound		7290
Concrete Wearing Surface		Sq. Yds.		391
Concrete Bridge Railing		Foot		238

Bars indicated thus 1 x 15- #5 etc. indicates 1 line of bars with 15 lengths per line.

(Sheet 2 of 2)
**CONCRETE BRIDGE RAILING
STRUCTURE NO. 058-9201**

CONCRETE BRIDGE RAILING			Sheet No.
Date	Designed DCS	TR-939 (PARK DRIVE) OVER STEVENS CREEK SECTION 10-P4000-00-BR DECATUR PARK DISTRICT STA. 14+97.71 PROP. STR. NO. 058-9201	8 of 13
Revisions	Drawn BKN		
	Checked KWB		
	Approved KWB		
Prepared by:	URS 345 East Ash Avenue Decatur, IL 62526		URS Job No. 36432943