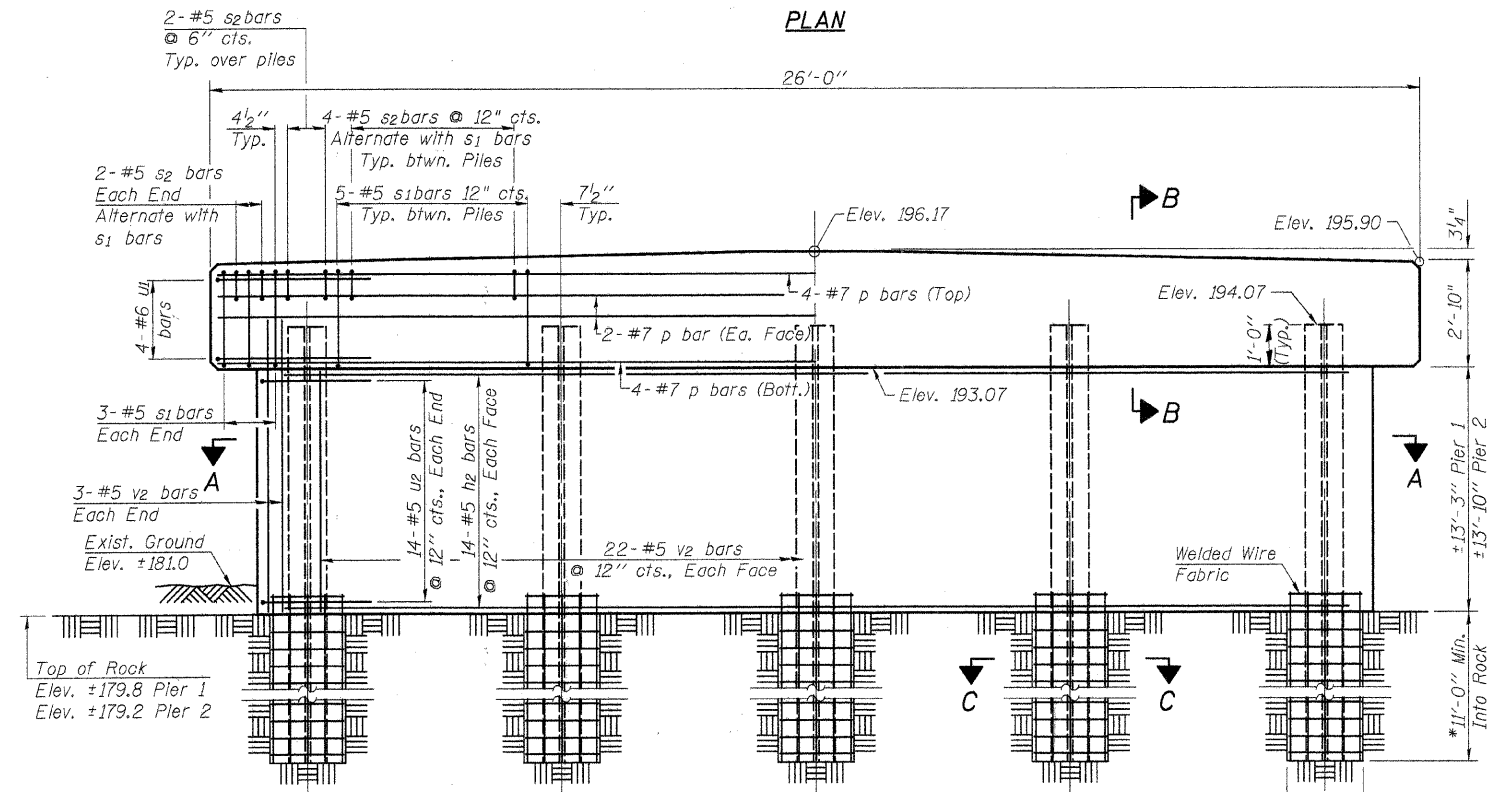
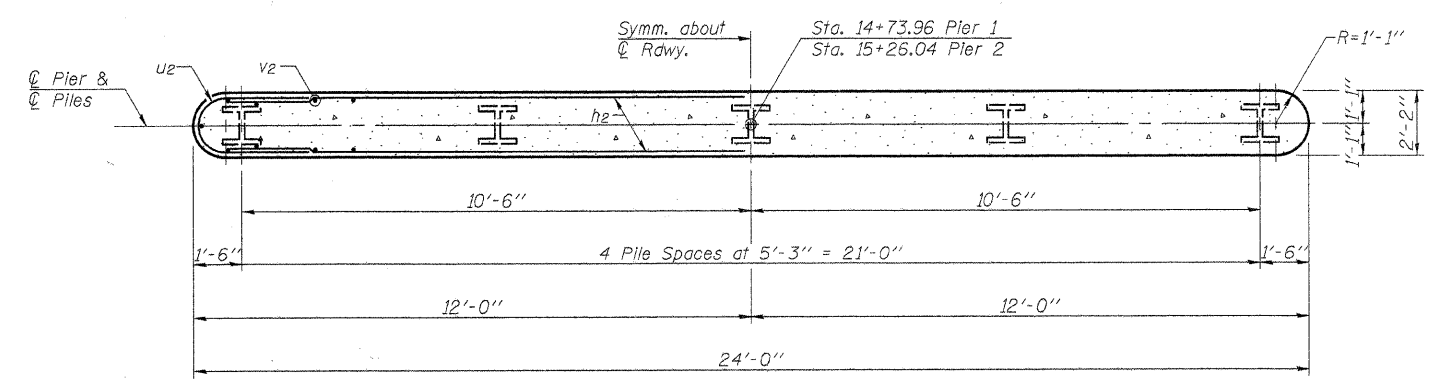


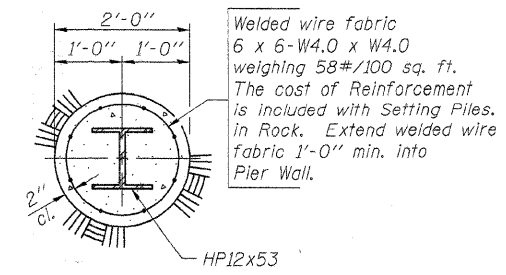
PLAN



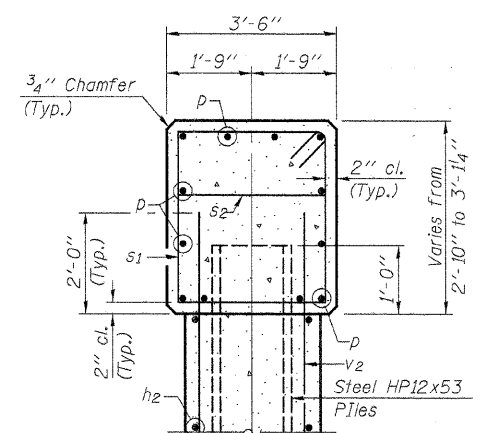
ELEVATION
(Looking East)



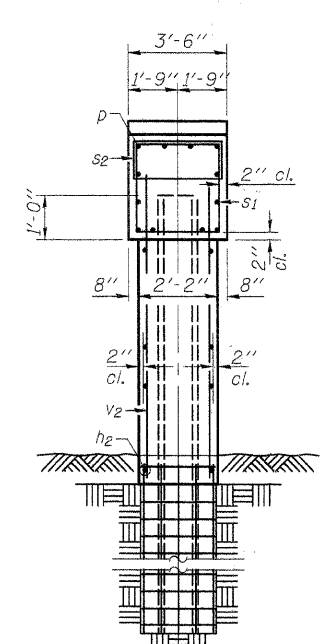
SECTION A-A



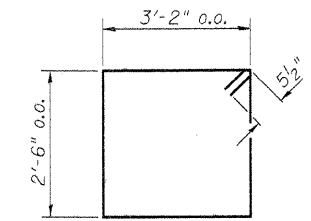
SECTION C-C



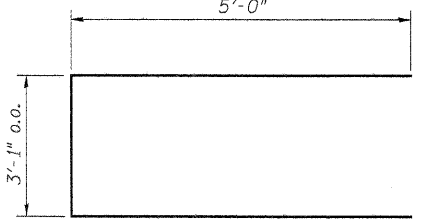
SECTION B-B



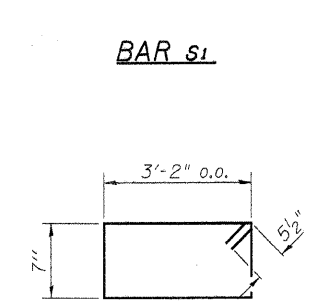
END VIEW



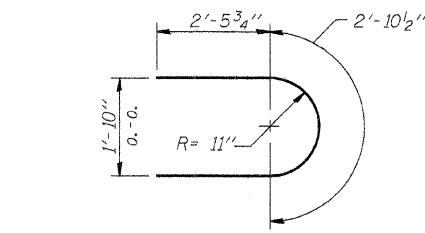
BAR s1



BAR u1



BAR s2



BAR u2

PILE DATA

Type & Size.....Steel HP12x53
 No. Req'd.....10
 Nominal Required Bearing.....Set in Rock
 Estimated Length.....31 ft.

Estimated length of piles has been adjusted to allow for depths of coring beyond that shown in the plans.

*Note A:
 Precore through existing earth and rock as shown. Piles shall be grouted into the rock with Class SI Concrete. Precored holes shall be clean at time of placement and grouting. The Class SI Concrete and welded wire fabric used for grouting piles into rock is included in the price for "Setting Piles in Rock." See Special Provisions.

The Steel H-Piles shall be according to AASHTO M270 Grade 50.

BILL OF MATERIAL - 2 PIERS

BAR	NO.	SIZE	LENGTH	SHAPE
h2	56	#5	21'-9"	—
p	24	#7	25'-8"	—
s1	52	#5	12'-3"	□
s2	60	#5	8'-5"	□
u1	16	#6	13'-1"	—
u2	56	#5	7'-10"	—
v2	100	#5	15'-7"	—
Concrete Structures			Cu. Yd.	71.1
Reinforcement Bars			Pound	6,120
Steel Piles HP12x53			Foot	310
Setting Piles in Rock			Each	10
Underwater Structure Excavation Protection			Each	2

See Sheet 15 for Pile Details.

FILE NAME = 46863U.PIERS.DGN	USER NAME = S.A.P.	DESIGNED - J.A.M.	REVISED -
		CHECKED - S.F.M.	REVISED -
PLOT SCALE =		DRAWN - S.A.P.	REVISED -
PLOT DATE = 04/04/11		CHECKED - J.A.M., S.F.M. & A.R.K.	REVISED -

FEHR-GRAHAM & ASSOCIATES, LLC
 ENGINEERING AND SCIENCE CONSULTANTS
 FREEPORT, IL ROCKFORD, IL ROCHELLE, IL MONROE, WI SPRINGFIELD, IL

PIER DETAILS
 S.N. 087-3560

TWP.	SECTION	COUNTY	TOTAL SHEETS	SHEET NO.
283A	06-02119-00-BR	SHELBY	22	14
ILLINOIS			BIG SPRING ROAD DISTRICT	