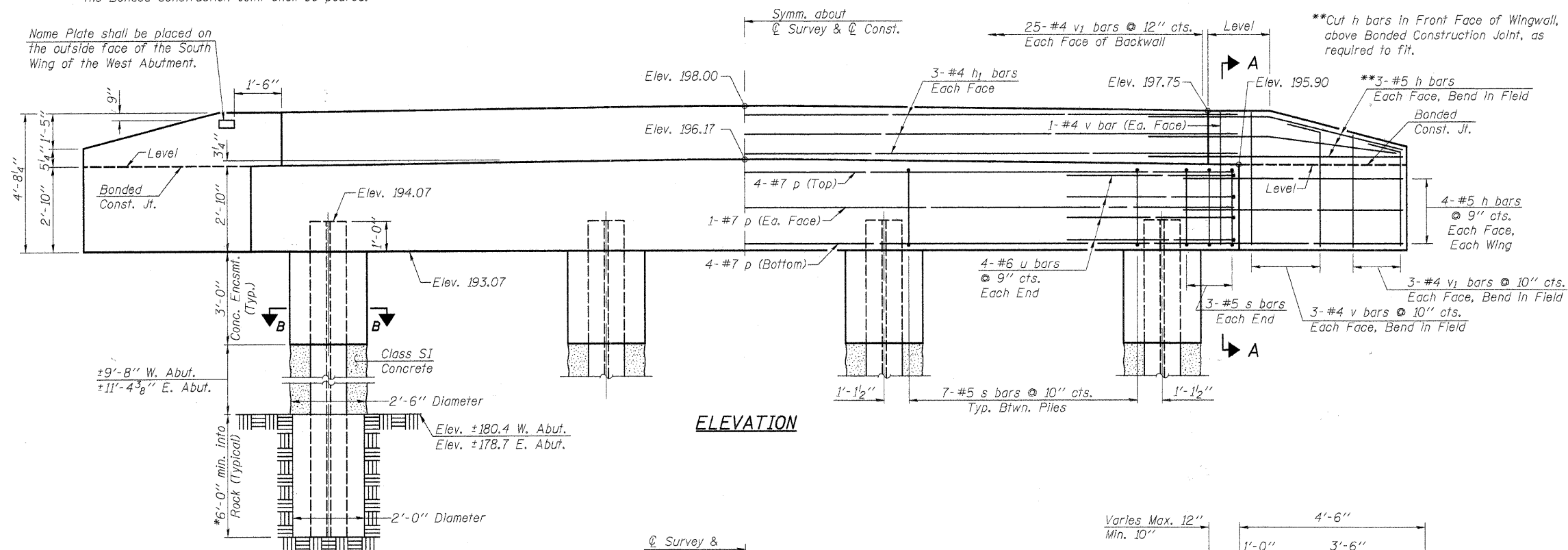
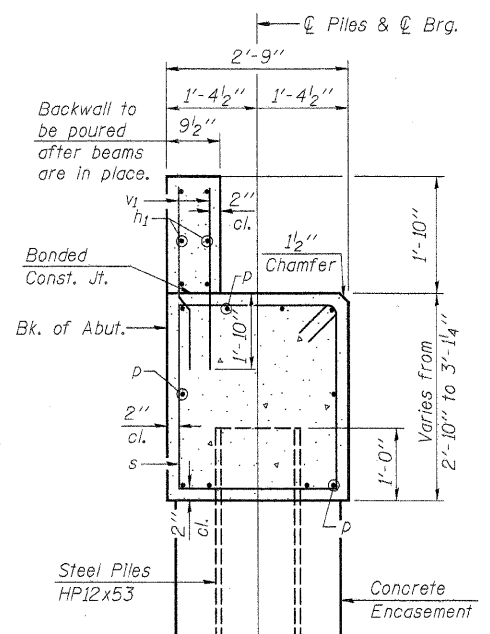


Note: After beams are in place and dowel rods grouted, the backwall and the portions of the wingwalls above the Bonded Construction Joint shall be poured.

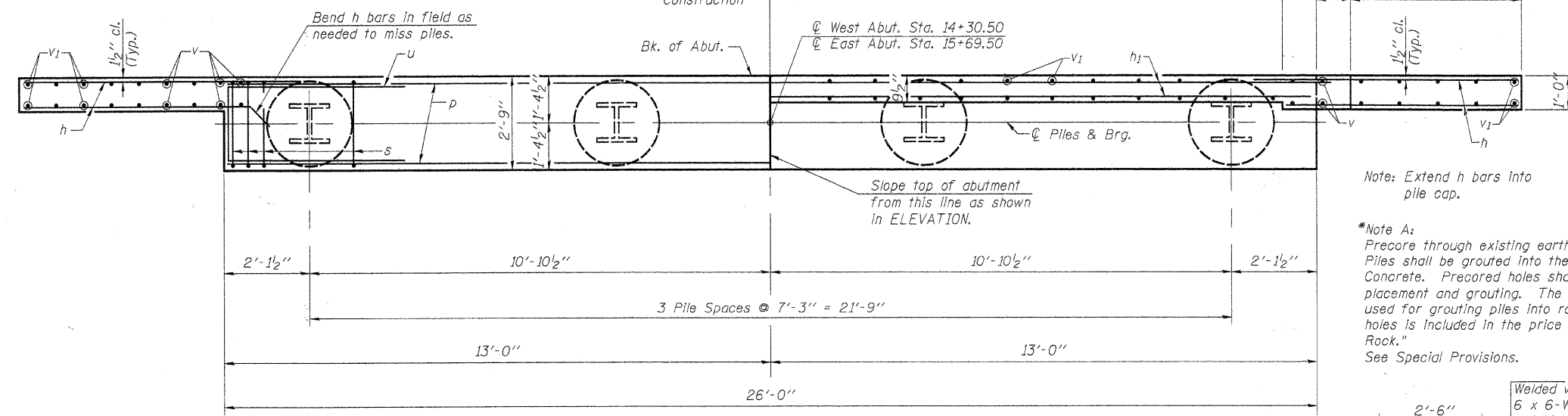
Name Plate shall be placed on the outside face of the South Wing of the West Abutment.



ELEVATION



SECTION THRU ABUT.



PLAN

SECTION A-A

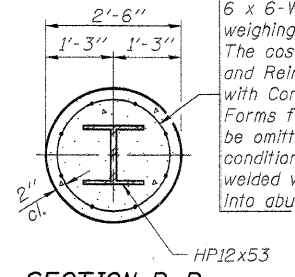
2 ABUTMENTS
BILL OF MATERIAL

Bar	No.	Size	Length	Shape
h	56	#5	6'-0"	—
h ₁	12	#4	27'-6"	—
p	20	#7	25'-8"	—
s	54	#5	10'-9"	□
u	16	#6	12'-4"	—
v	32	#4	4'-3"	—
v ₁	124	#4	3'-6"	—
Concrete Structures Cu. Yd. 21.3				
Reinforcement Bars Pound 2,900				
Name Plates Each 1				
Steel Piles HP12x53 Foot 208				
Concrete Encasement Cu. Yd. 4.4				
Setting Piles in Rock Each 8				

Note: Extend h bars into pile cap.

*Note A:
Precore through existing earth and rock as shown. Piles shall be grouted into the rock with Class SI Concrete. Precored holes shall be clean at time of placement and grouting. The Class SI Concrete used for grouting piles into rock and to fill cored holes is included in the price for "Setting Piles In Rock."
See Special Provisions.

Welded wire fabric
6 x 6-W4.0 x W4.0
weighing 58#/100 sq. ft.
The cost of Excavation,
and Reinforcement is included
with Concrete Encasement.
Forms for Encasement may
be omitted when soil
conditions permit. Extend
welded wire fabric 1'-0" min.
into abutment cap.



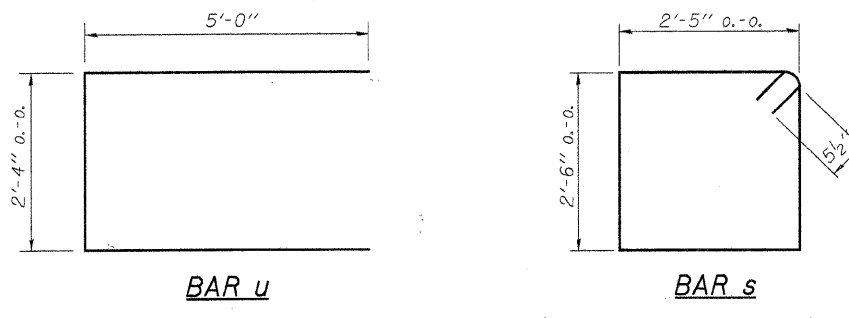
SECTION B-B
Concrete Encasement

PILE DATA

Type & Size.....	Steel Piles HP12x53
No. Req'd. (2 Abut.).....	8
Nominal Required Bearing.....	Set in Rock (See Note A)
Estimated Length.....	25 ft. @ W. Abut. 27 ft. @ E. Abut.

The Steel H-piles shall be according to ASTM A270 Grade 50.

Estimated length of piles have been adjusted to allow for depths of coring beyond that shown in the plans.



BAR u

BAR s

FILE NAME = 46863U.ABUTS.DGN	USER NAME = S.A.P.	DESIGNED - J.A.M.	REVISED -
		CHECKED - S.F.M.	REVISED -
		DRAWN - S.A.P.	REVISED -
		CHECKED - J.A.M., S.F.M. & A.R.K.	REVISED -

FEHR-GRAHAM & ASSOCIATES, LLC
ENGINEERING AND SCIENCE CONSULTANTS
FREEPORT, IL ROCKFORD, IL ROCHELLE, IL MONROE, WI SPRINGFIELD, IL

ABUTMENT DETAILS
S.N. 087-3560

TWP. RTE.	SECTION	COUNTY	TOTAL SHEETS	SHEET NO.
283A	06-02119-00-BR	SHELBY	22	13
ILLINOIS			CONTRACT NO. 95657	
			BIG SPRING ROAD DISTRICT	