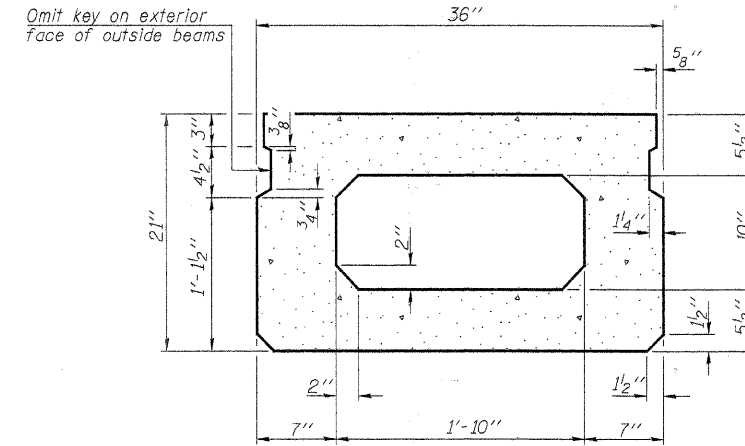
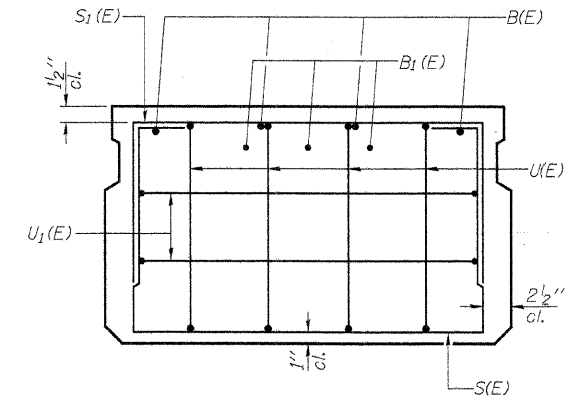


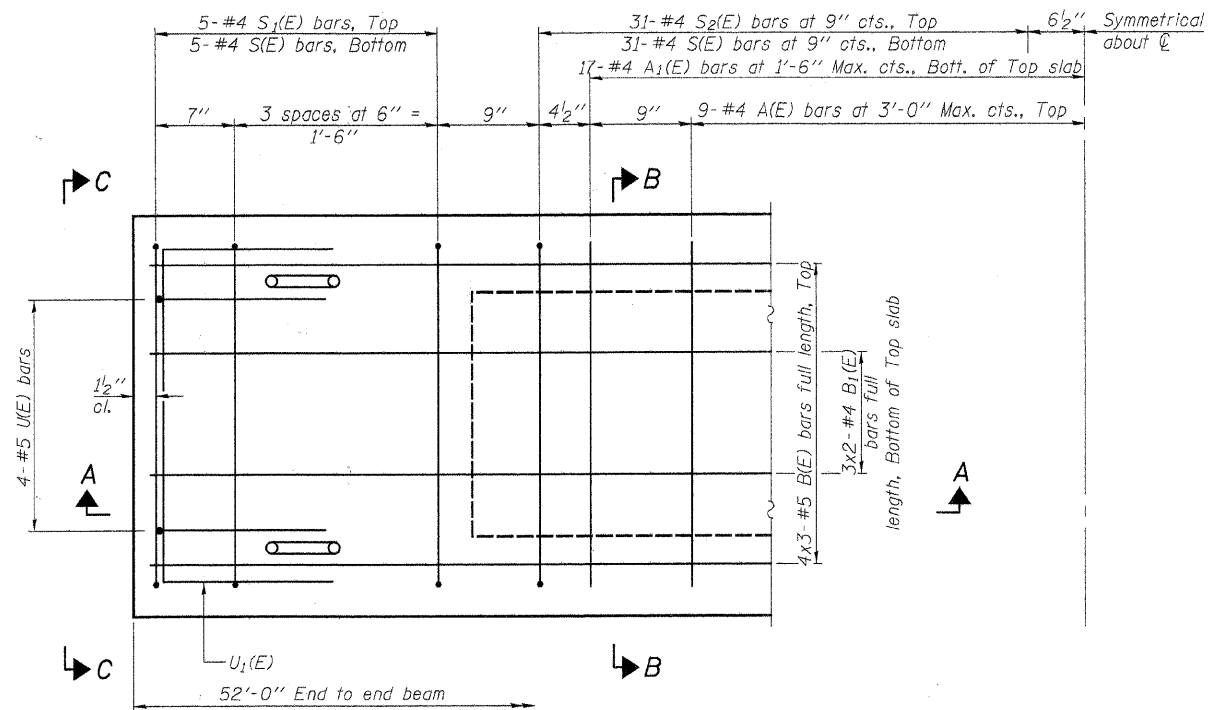
**SECTION A-A**



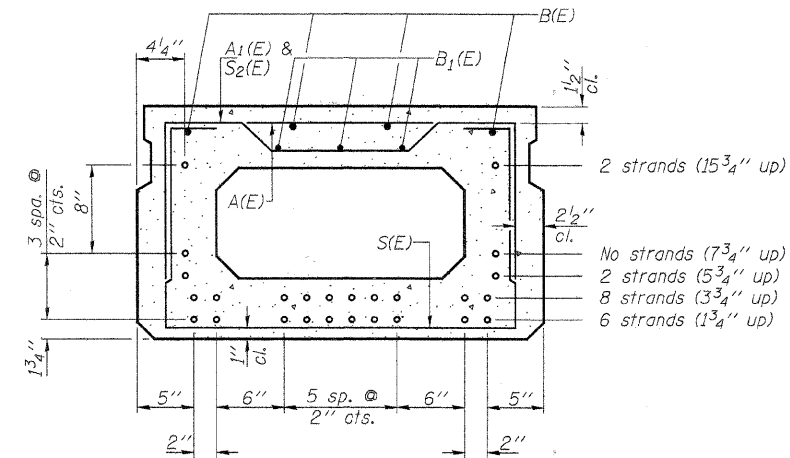
**SECTION B-B**  
(Showing dimensions)



**VIEW C-C**



**PLAN VIEW**



Use 18 - 1/2"  $\phi$  strands at the locations shown.  
**SECTION B-B**  
(Showing reinforcement and permissible strand locations)

Note: Place the number of strands specified in each row symmetrically about the centerline of beam in the permissible strand locations shown.

**BAR LIST**  
**ONE BEAM ONLY**  
(For information only)

Bar	No.	Size	Length	Shape
A(E)	17	#4	2'-7"	—
A1(E)	33	#4	2'-10"	—
B(E)	12	#5	19'-0"	—
B1(E)	6	#4	27'-0"	—
S(E)	72	#4	6'-5"	□
S1(E)	10	#4	4'-11"	□
S2(E)	62	#4	5'-2"	□
U(E)	8	#5	4'-0"	□
U1(E)	4	#4	5'-0"	□

Note: See sheet 10 for additional details and Bill of Material. Reinforcement bars designated (E) shall be epoxy coated.

Note: Spacing of S(E) and S2(E) bars may be adjusted up to 4" in the immediate area of the transverse tie diaphragms to miss the block outs for the transverse ties.

Bars indicated thus, 3x2-#4 bars etc., indicates 3 lines of bars with 2 lengths per line.

**MINIMUM BAR LAP**  
#4 bar = 2'-0"  
#5 bar = 2'-6"

PD-2136-0

7-1-10

FILE NAME = 46835U.SUPER.DGN	USER NAME = S.A.P.	DESIGNED - J.A.M.	REVISED -
		CHECKED - S.F.M.	REVISED -
	PLOT SCALE =	DRAWN - S.A.P.	REVISED -
	PLOT DATE = 04/04/11	CHECKED - J.A.M., S.F.M. & A.R.K.	REVISED -

**FEHR-GRAHAM & ASSOCIATES, LLC**  
ENGINEERING AND SCIENCE CONSULTANTS  
FREEPORT, IL ROCKFORD, IL ROCHELLE, IL MONROE, WI SPRINGFIELD, IL

**21" x 36" PPC DECK BEAM - SPAN 2**  
S.N. 087-3560

TWP. RTE.	SECTION	COUNTY	TOTAL SHEETS	SHEET NO.
283A	06-02119-00-BR	SHELBY	22	9
ILLINOIS			CONTRACT NO. 95657	
			BIG SPRING ROAD DISTRICT	

\*46863