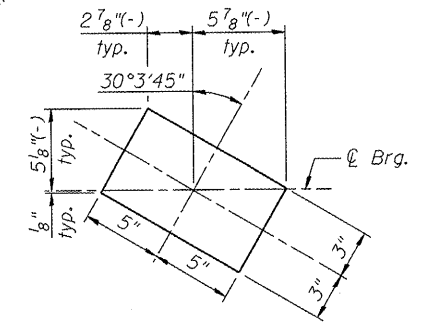
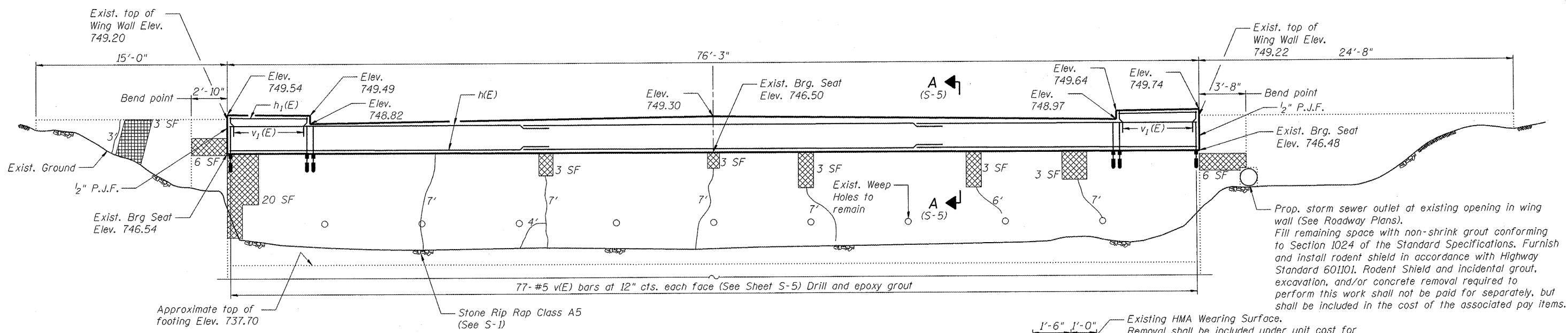


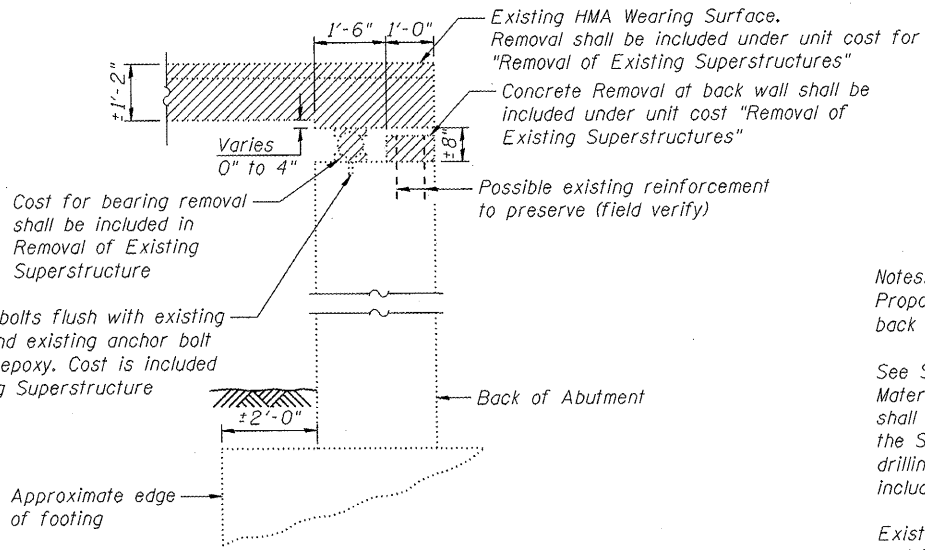
PLAN



BEARING LAYOUT DETAIL  
See Sheet S-7 for Bearing Details



ELEVATION



REMOVAL SECTION THRU ABUT.

Notes:  
Proposed Elevations are given at the back of abutment.  
See Sheet S-6 for superstructure Bill of Materials. Drilling and epoxy grouting bars shall be in accordance with Section 584 of the Standard Specifications. The cost for drilling and epoxy grouting bars shall be included in Reinforcement Bars, Epoxy Coated.  
Existing reinforcement shall be cleaned and incorporated into the new construction. Cost included with Removal of Existing Superstructures.

**LEGEND**

	x SF	Indicates Structural Repair of Concrete (Depth less than or Equal to 5")
	x'	Indicates Epoxy Crack Injection
		Indicates Removal Item

COMPANY NAME: HRGreen  
PROJECT CONTACT: CONTACT  
CLIENT: CONTACT  
DATE: 3/31/2011  
FILE NAME: 10-00573-00-BR  
PLOT DRIVER: 22x34.tbl  
PEN TABLE:



USER NAME = KarFt	DESIGNED - KMA	REVISED -
PLOT SCALE = N.T.S.	CHECKED - RGD	REVISED -
PLOT DATE = 3/31/2011	DRAWN - WJH	REVISED -
	CHECKED - 3/31/11	REVISED -

STATE OF ILLINOIS  
DEPARTMENT OF TRANSPORTATION

SOUTH ABUTMENT DETAILS  
FAIRVIEW BOULEVARD - S.N. 101-6060  
SHEET NO. S-9 OF S-11 SHEETS

F.A. RTE.	SECTION	COUNTY	TOTAL SHEETS	SHEET NO.
5141	10-00573-00-BR	WINNEBAGO	20	17
CONTRACT NO. 85540				
ILLINOIS FED. AID PROJECT				