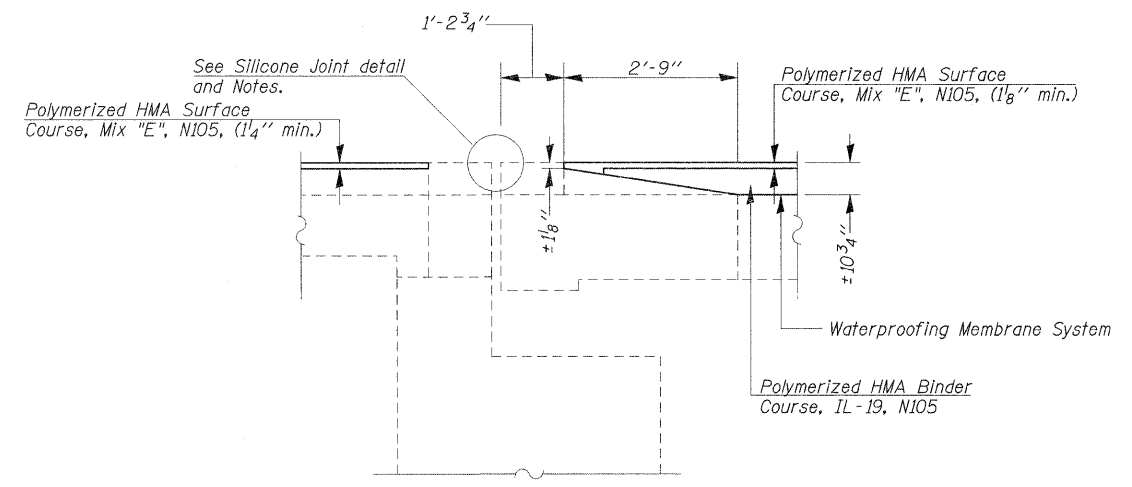
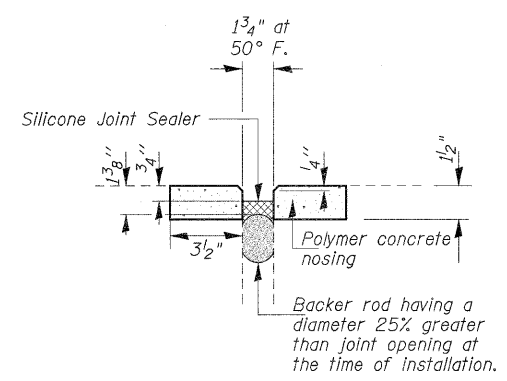
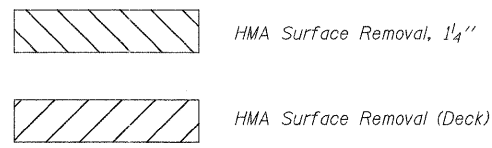


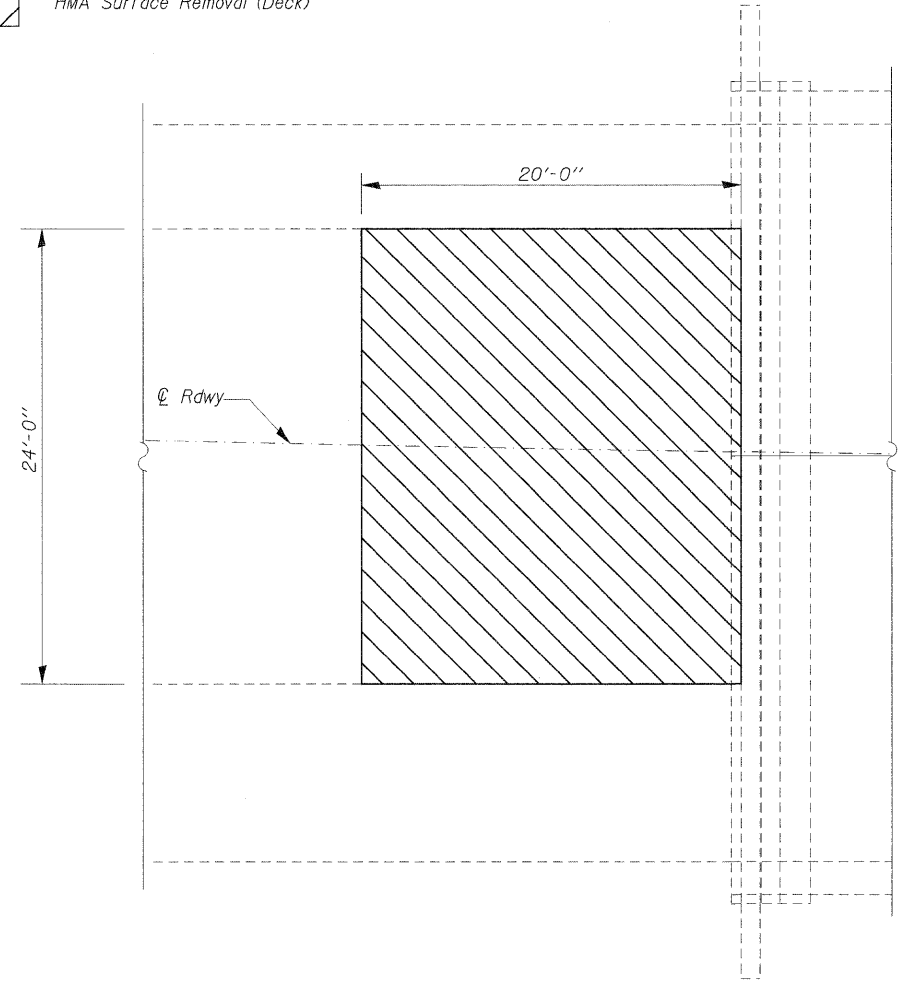
SECTION @ JOINTS
HMA Removal



SECTION @ JOINTS
New HMA



SILICONE JOINT SEALER DETAIL



PLAN VIEW @ APPROACHES
Typical all approaches

Notes:

Polymer Concrete Nosing to be replaced in-kind at the entire North Abutment joint of SN 041-0004 (SB), and at two 3' locations at the North and South Abutments of SN 041-0003 (NB).
Backer rod and silicone joint sealer to be replaced at all four joint locations.

JOINT DETAILS
JEFFERSON COUNTY
SN 041-0003 & 041-0004

FILE NAME =	USER NAME = halsteadtw	DESIGNED - TWH	REVISED -	STATE OF ILLINOIS DEPARTMENT OF TRANSPORTATION	JOINTS AND OVERLAY DETAILS	F.A.I. RTE.	SECTION	COUNTY	TOTAL SHEETS	SHEET NO.
c:\pw_work\pwidot\halsteadtw\d0254486\01-0003_0004-sheet.dgn	DRAWN - TWH	REVISED -	57			41-2(BR-1)	JEFFERSON	8	7	
PLOT SCALE = 1/5000' / IN.	CHECKED - MAS	REVISED -	CONTRACT NO. 78245							
PLOT DATE = 2/25/2011	DATE - 10/15/09	REVISED -	SCALE:			SHEET NO. 3 OF 4 SHEETS	STA. TO STA.	FED. ROAD DIST. NO.	ILLINOIS FED. AID PROJECT	