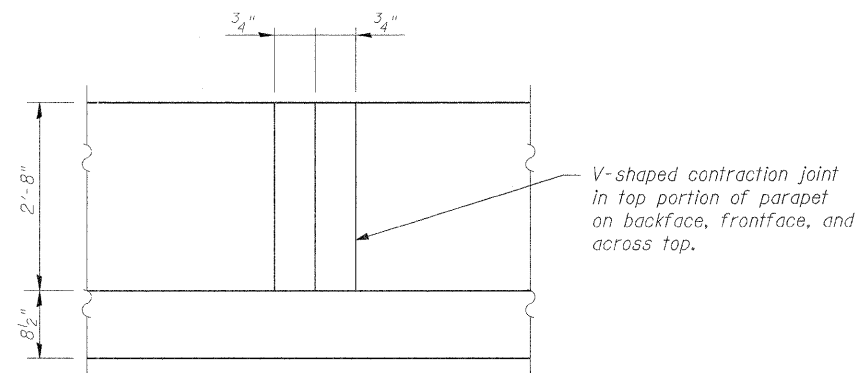
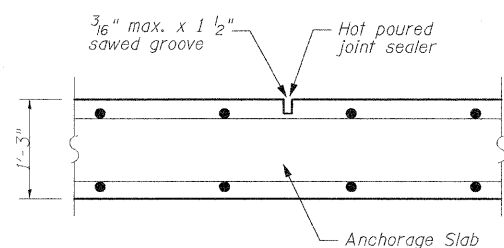
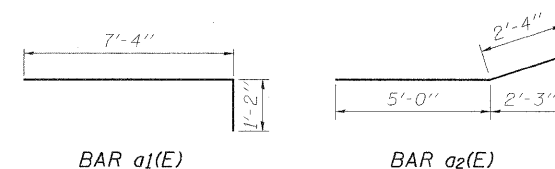
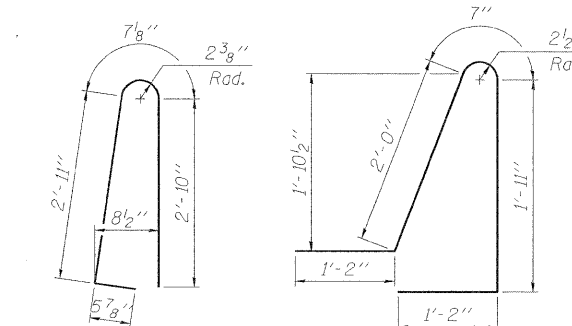


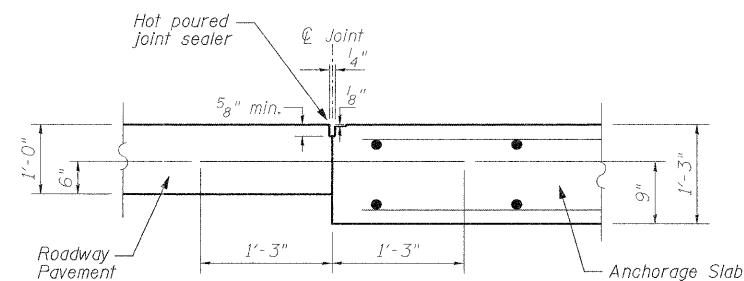
PARAPET EXPANSION JOINT DETAILS



PARAPET CONTRACTION JOINT DETAIL



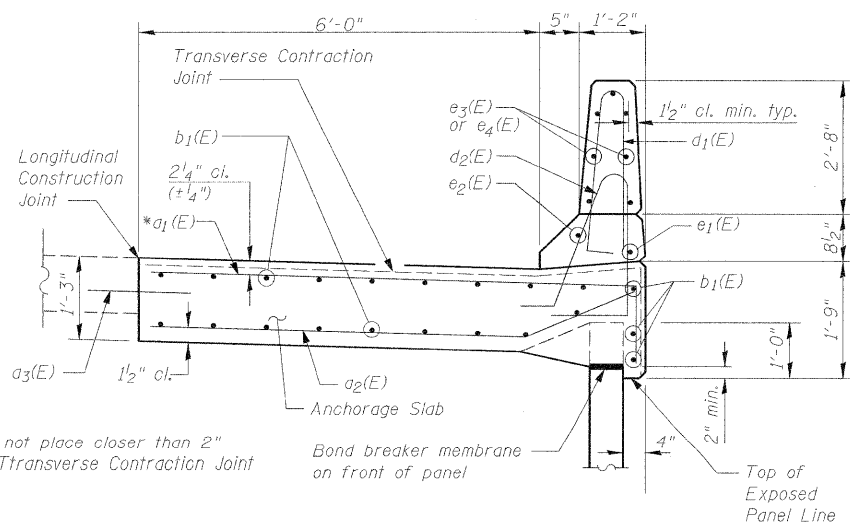
TRANSVERSE CONTRACTION JOINT
See Article 420.05 & 420.12 of the Standard Specifications



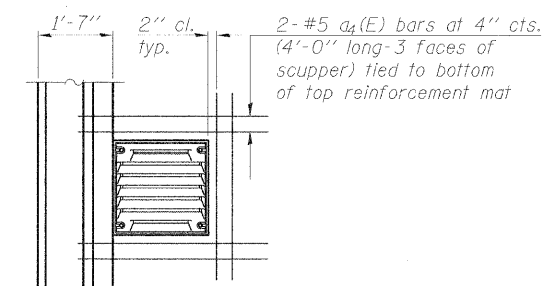
LONGITUDINAL CONSTRUCTION JOINT
See Article 420.05 & 420.12 of the Standard Specifications

BILL OF MATERIAL

Bar	No.	Size	Length	Shape
a1(E)	716	#7	8'-6"	—
a2(E)	716	#7	7'-4"	—
a3(E)	269	#6	2'-6"	—
a4(E)	12	#5	4'-0"	—
b1(E)	357	#6	34'-6"	—
d1(E)	585	#5	6'-10"	⌒
d2(E)	585	#5	6'-10"	⌒
e1(E)	20	#4	28'-9"	—
e2(E)	18	#8	34'-8"	—
e3(E)	140	#4	24'-0"	—
e4(E)	28	#4	23'-1"	—
Concrete Structures			Cu. Yd.	202.4
Concrete Superstructure			Cu. Yd.	69.3
Reinforcement Bars, Epoxy Coated			Pound	55,800

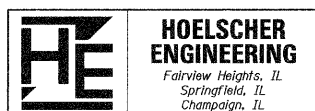


SECTION A-A
(NTS)



PLAN AT DRAINAGE STRUCTURE OPENING

Note:
Cut longitudinal reinforcement to clear drainage scuppers.
Parapet concrete shall be paid for as Concrete Superstructure.



FILE NAME = 082 W302 76C75 S04 final plan.dgn	USER NAME = Bhatta	DESIGNED - CMW	REVISED CMW 12-20-10
		DRAWN - BTM	REVISED CMW 12-30-10
		CHECKED - JSA	REVISED CMW 02-28-11
		DATE - 04-07-2011	REVISED -

STATE OF ILLINOIS
DEPARTMENT OF TRANSPORTATION

RETAINING WALL 082-W302
DETAILS

SCALE: N.T.S. SHEET NO. 4 OF 13 SHEETS STA. 65+50.00 TO STA. 70+90.00

F.A.P. RTE. 998	SECTION 82-1-IHB	COUNTY ST. CLAIR	TOTAL SHEETS 319	SHEET NO. 275
FED. ROAD DIST. NO. ILLINOIS FED. AID PROJECT			CONTRACT NO. 76C75	