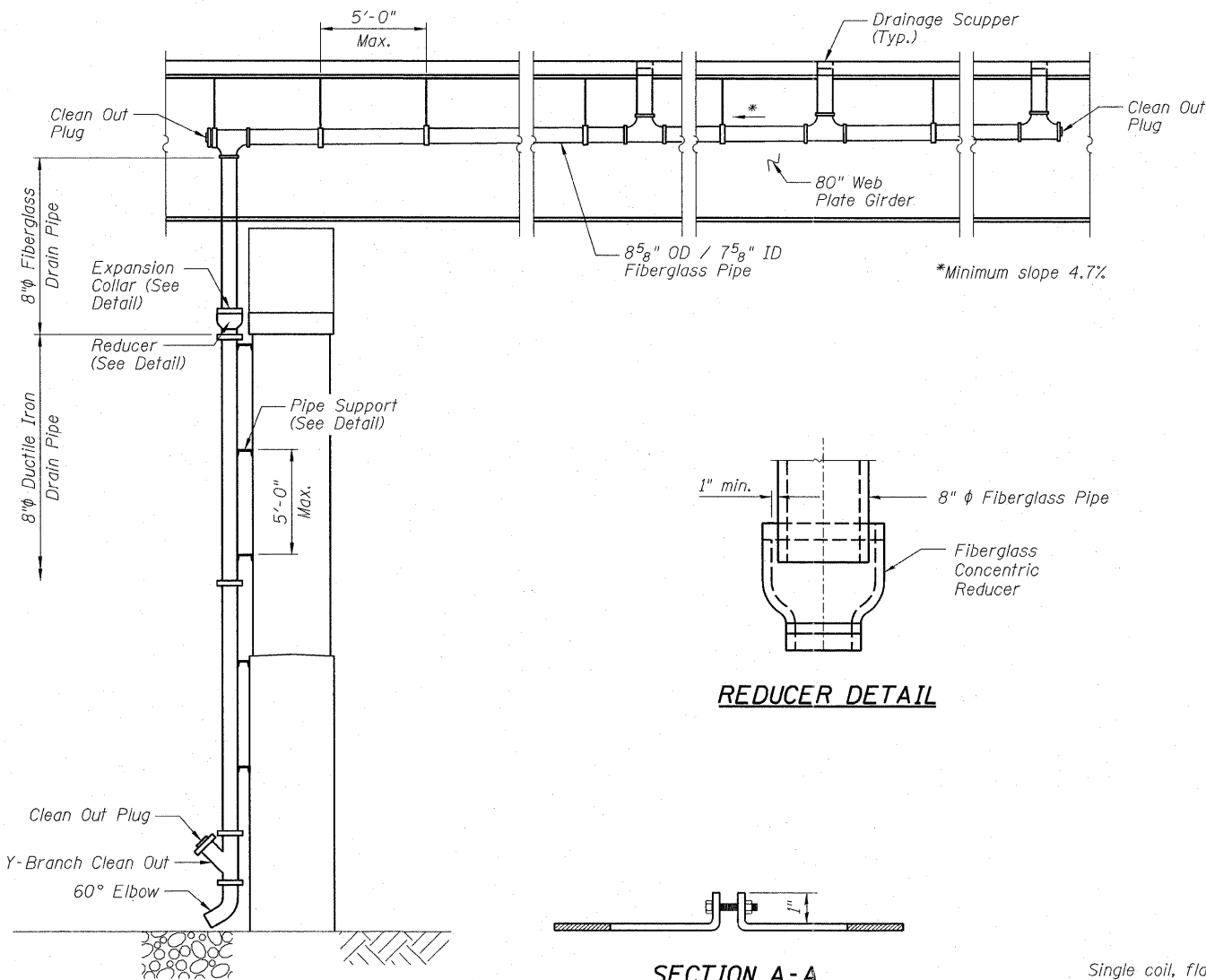
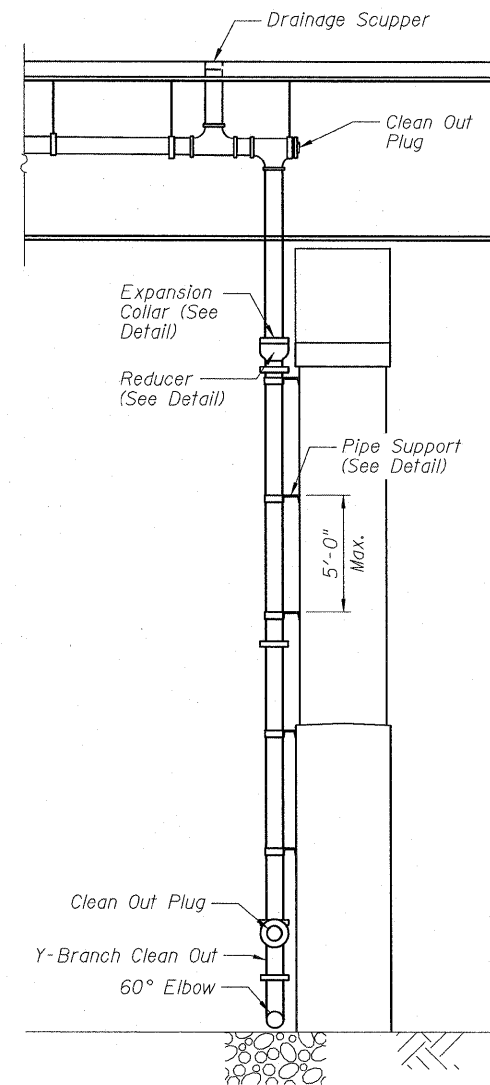


ELEVATION VIEW
(Looking West)

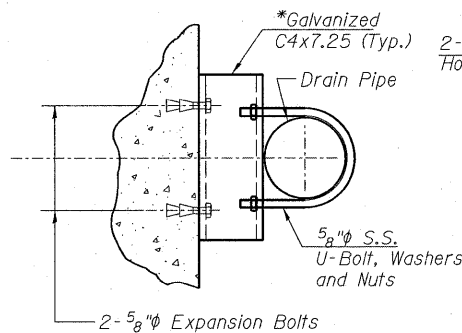


END VIEW
(Looking South)

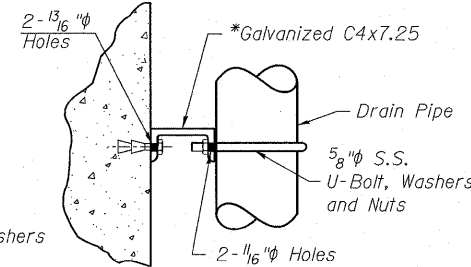


END VIEW
(Looking South)
DRAINAGE SYSTEM
© Pier 10 S.N. 082-0325

DRAINAGE SYSTEM
© Pier 1 S.N. 082-0323
© Pier 5 S.N. 082-0325

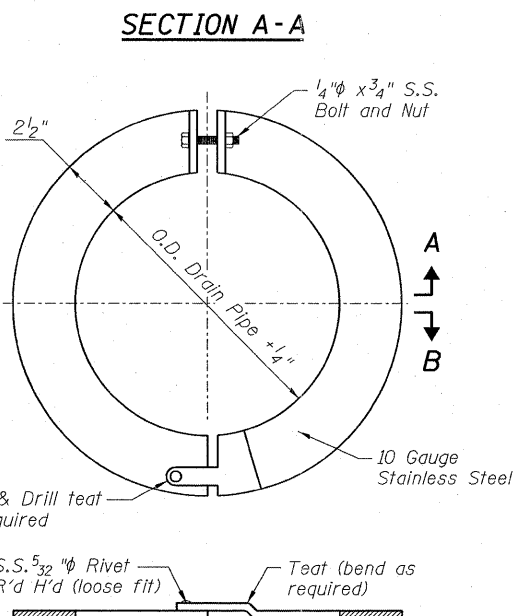


PLAN



ELEVATION

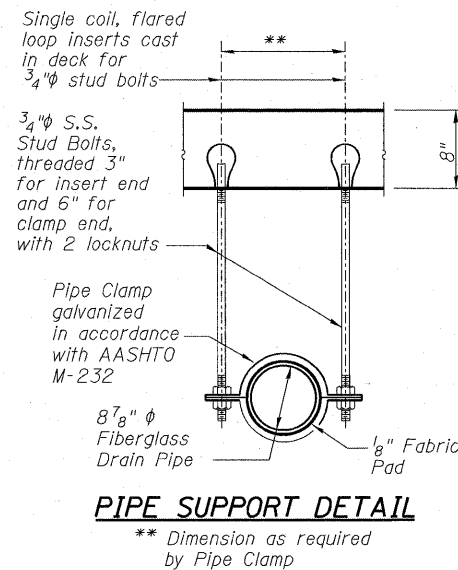
PIPE SUPPORT DETAIL
*Provide curved C6x8.2 to fit Round Pier Columns where needed



SECTION A-A

SECTION B-B

DETAIL OF EXPANSION COLLAR



PIPE SUPPORT DETAIL

** Dimension as required by Pipe Clamp

NOTE:

1. S.S. denotes Stainless Steel.

END VIEW
(Looking South)

DRAINAGE SYSTEM
© Pier 10 S.N. 082-0325

BILL OF MATERIAL

ITEM	UNIT	QUANTITY
Drainage System	L. Sum	1