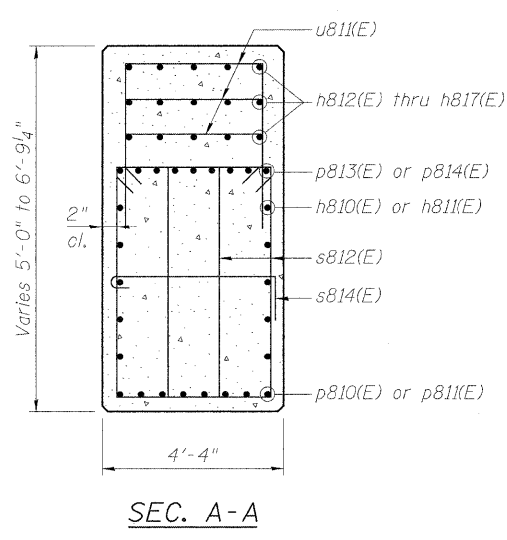
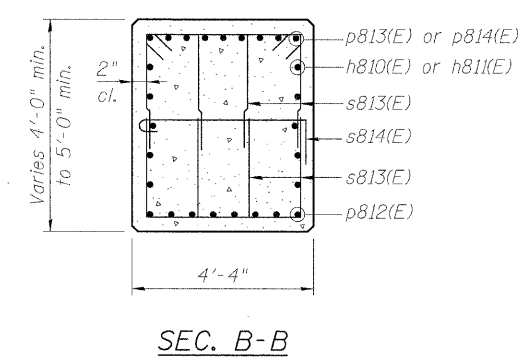


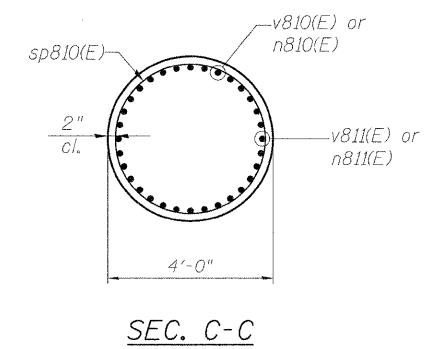
FOOTING PLAN



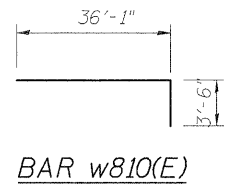
SEC. A-A



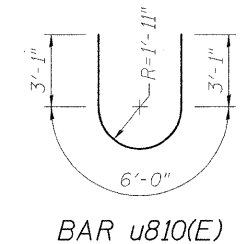
SEC. B-B



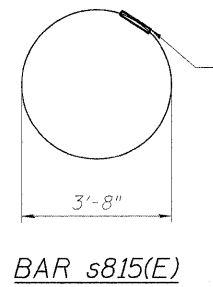
SEC. C-C



BAR w810(E)



BAR u810(E)



BAR s815(E)

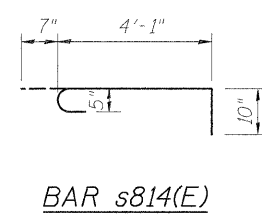
PILE DATA

Type: HP14x89
 Nominal Required Bearing: 500 kips
 Factored Resistance Available: 250 kips
 Estimated Length: 112 ft.
 Number of Production Piles: 67
 Number of Test Piles: 1

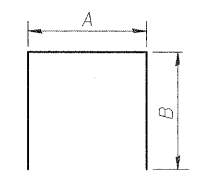
PIER 8 DETAILS - S.N. 082-0325

I-70W OVER I-55, CSX & KCS RAILROADS

SCALE: NONE SHEET NO. S-117 OF S-138 SHEETS STA. TO STA.



BAR p813(E) & p814(E)

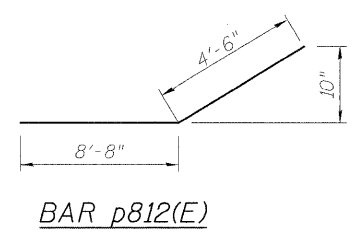


BAR s814(E)

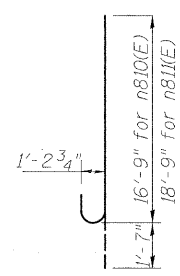
A & B DIMENSIONS

Bar	A	B
s813(E)	2'-9"	3'-8"
u811(E)	4'-0"	1'-0"
t810(E)	19'-8"	3'-4"
t811(E)	19'-8"	3'-4"

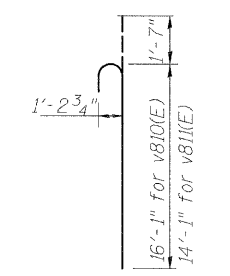
BARS s813(E), u811(E), t810(E), t811(E)



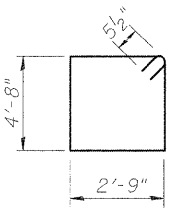
BAR p812(E)



BAR n810(E) & n811(E)



BAR v810(E) & v811(E)



BAR s812(E)

BILL OF MATERIAL

Bar	No.	Size	Length	Shape
h810(E)	10	#5	28'-2"	—
h811(E)	10	#5	40'-0"	—
h812(E)	5	#5	40'-0"	—
h813(E)	5	#5	23'-4"	—
h815(E)	5	#5	23'-3"	—
h816(E)	5	#5	32'-3"	—
h817(E)	5	#5	10'-9"	—
n810(E)	80	#11	18'-4"	U
n811(E)	80	#11	20'-4"	U
p810(E)	8	#10	23'-4"	—
p811(E)	8	#10	40'-0"	—
p812(E)	16	#8	13'-2"	—
p813(E)	9	#11	30'-6"	—
p814(E)	9	#11	42'-0"	—
s812(E)	192	#5	15'-9"	□
s813(E)	276	#5	10'-1"	□
s814(E)	69	#5	5'-6"	□
s815(E)	80	#5	11'-6 1/4"	○
sp810(E)	5	#5	26'-4"	∩∩
t810(E)	81	#6	26'-4"	□
t811(E)	132	#9	26'-4"	□
u810(E)	14	#6	12'-2"	U
u811(E)	130	#5	6'-0"	□
v810(E)	80	#11	17'-8"	—
v811(E)	80	#11	15'-8"	—
w810(E)	94	#8	39'-7"	—

Item	Unit	Quantity
Concrete Structures	Cu. Yd.	327.0
Reinforcement Bars, Epoxy Coated	Pound	77,970
Furnishing Steel Piles, HP14x89	Foot	7504
Driving Piles	Foot	7504
Test Pile Steel HP14x89	Each	1
Pile Shoes	Each	68
Mechanical Splicers	Each	192

** Length is height of spiral



USER NAME = Bhatta	DESIGNED = EJO	REVISED =
PLOT SCALE = 1/8" = 1' / in.	DRAWN = JHR	REVISED =
PLOT DATE = #DATE#	CHECKED = DB	REVISED =
	DATE = 05-02-11	REVISED =

STATE OF ILLINOIS
DEPARTMENT OF TRANSPORTATION

PIER 8 DETAILS - S.N. 082-0325
I-70W OVER I-55, CSX & KCS RAILROADS

F.A.I. SECTION	COUNTY	TOTAL SHEETS	SHEET NO.
70	82-1-B-1	319	232
S.N. 082-0323 & S.N. 082-0325		CONTRACT NO. 76C75	
FED. ROAD DIST. NO.		ILLINOIS FED. AID PROJECT	

P:\92046897\9204_CAD\9204_1\Drawings\76C000\Master_Console\Structural\82-0323\Sheet\517_882-0325_76C75_Pier8B.dgn