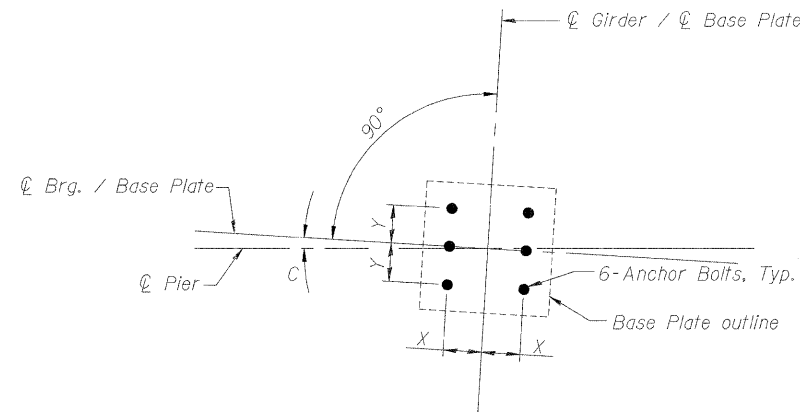


FIXED BEARING DIMENSIONS TABLE

Brg. Location	Vertical Design Load (kips)	Lateral Design Load (kips)	Bottom Bearing Plate			Top Bearing Plate								Th1 in.	Th2 in.	D in.	Anchor Bolt ϕ in.	Anchor Bolt Specification Grade
			Tb in.	Lb in.	Wb in.	Top Plate		Lt in.	Wt in.	M in.	N in.	R in.	S in.					
						Tt1 in.	Tt2 in.											
S.N. 082-0323 Pier 1	550	110	1 1/8	28	28	2 3/8	3 1/8	18	18	3 1/2	5 1/2	3	4	7 1/4	8	19 3/4	1	F1554, Gr. 55
S.N. 082-0325 Unit 1, Pier 2	500	186	1	28	28	2 1/4	3 1/4	18	18	2	7	3	4	6 7/8	7 7/8	19 3/8	1 1/4	F1554, Gr. 55
Unit 2, Pier 5	600	166	1	29	29	2 1/2	3 1/4	18	18	2	7	3	4	7 1/2	8 1/4	21 3/8	1 1/4	F1554, Gr. 55
Unit 3, Pier 8	500	90	1	27	27	2 1/4	2 1/8	17	17	3	5 1/2	2 1/2	4	7	6 7/8	19 3/8	1	A307, Gr. C
Unit 3, Pier 9	650	153	1	30	30	3	2 1/2	20	20	2 1/2	7 1/2	2 1/2	5	8 1/8	7 5/8	22 5/8	1 1/4	A307, Gr. C

BILL OF MATERIAL

Item	Unit	Total
High Load Multi-Rotation Bearings, Fixed 500K	Each	17
High Load Multi-Rotation Bearings, Fixed 550K	Each	6
High Load Multi-Rotation Bearings, Fixed 600K	Each	6
High Load Multi-Rotation Bearings, Fixed 650K	Each	10
Anchor Bolts, 1 1/4"	Each	132
Anchor Bolts, 1"	Each	102



ANCHOR BOLT LOCATION DETAIL.

Structure	Location	X	Y	C
S.N. 082-0323	Pier 1	1'-0"	1'-0"	0°
	Pier 2	1'-0"	1'-0"	0°
	Pier 5	1'-0 1/2"	1'-0 1/2"	0°
S.N. 082-0325	Pier 8	0'-11 1/2"	0'-11 1/2"	0° (1B-8B)
				1°10'5" (9B)
3°2'25" (10B)				
4°11'53" (11B)				
Pier 9	1'-1"	1'-1"	0° (1B-7B)	
			0°25'10" (8B)	
			1°9'49" (9B)	
			1°16'27" (11B)	

Notes:

Work this sheet with sheet S-91.

See Sheets S-83 thru S-86 for bearing layout & orientation.



USER NAME = Bhatta	DESIGNED - LLV	REVISED -
PLOT SCALE = 1/8" = 1' / in.	DRAWN - BRD	REVISED -
PLOT DATE = 05-02-11	CHECKED - PJL	REVISED -
	DATE - 05-02-11	REVISED -

**STATE OF ILLINOIS
DEPARTMENT OF TRANSPORTATION**

**FIXED POT BEARING DETAILS II
I-70W OVER I-55, CSX & KCS RAILROADS**

SCALE: NONE SHEET NO. S-92 OF S-138 SHEETS STA. TO STA.

F.A.I. RTE.	SECTION	COUNTY	TOTAL SHEETS	SHEET NO.
TO	82-1-B-1	ST. CLAIR	319	207
S.N. 082-0323 & S.N. 082-0325		CONTRACT NO. 76C75		
FED. ROAD DIST. NO.		ILLINOIS FED. AID PROJECT		

P:\P\082\082\900_CAD\900_Drawings\76C75\Master_Consolidated\Structural\082-0323_Sheets\082-0323_082-0325_76C75_POT_72.dgn