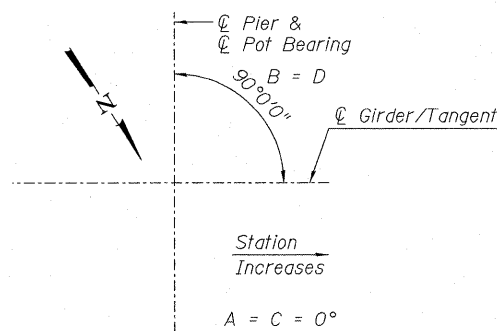
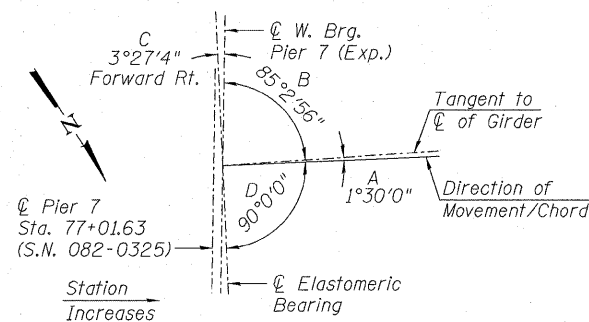


**BEARING LAYOUT - S.N. 082-0325 - UNIT 3**

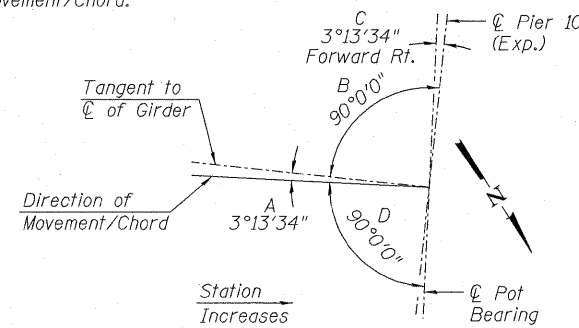
- Notes:  
 A = Angle between Tangent to Girder and Direction of Movement.  
 B = Angle between Tangent to Girder and  $\phi$  of Pier or Abutment.  
 C = Setting angle between  $\phi$  of Bearing Base Plate and  $\phi$  of Pier or Abutment.  
 D = Set Bearing Base Plates at right angles to the Direction of Movement/Chord.



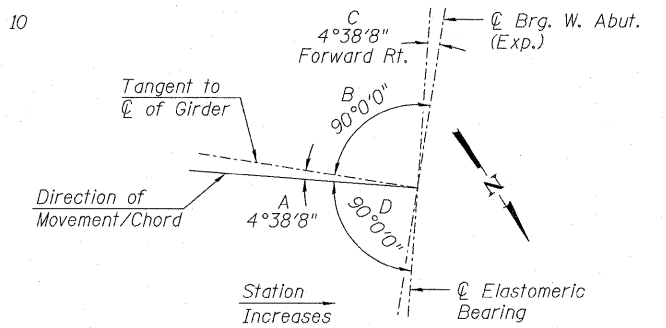
**PIER 8, GIRDERS 1B-8B  
PIER 9, GIRDERS 1B-7B**



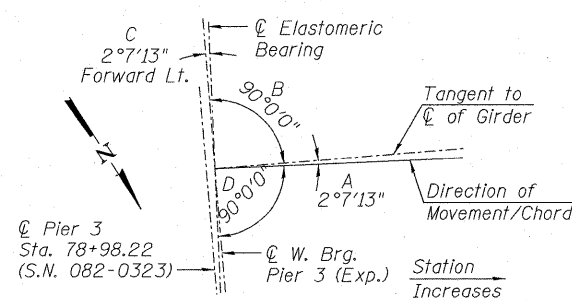
**PIER 7 (S.N. 082-0325)  
GIRDERS 7B-9B**



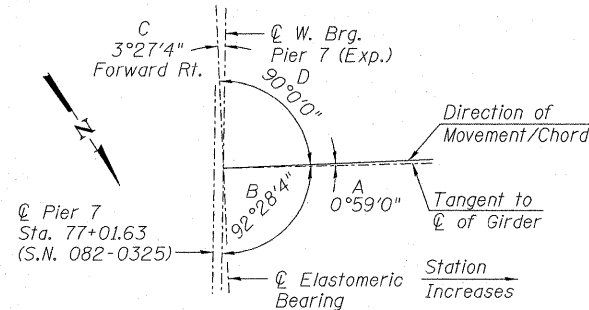
**PIER 10  
GIRDERS 1B-7B**



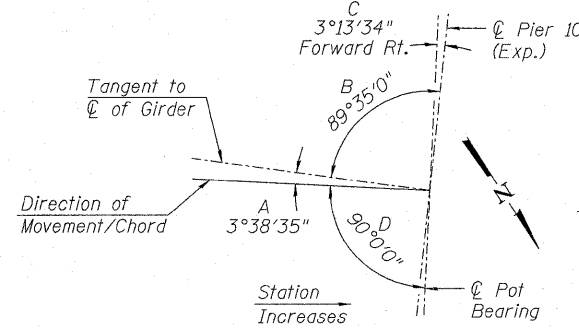
**W. ABUT.  
GIRDERS 1B-7B**



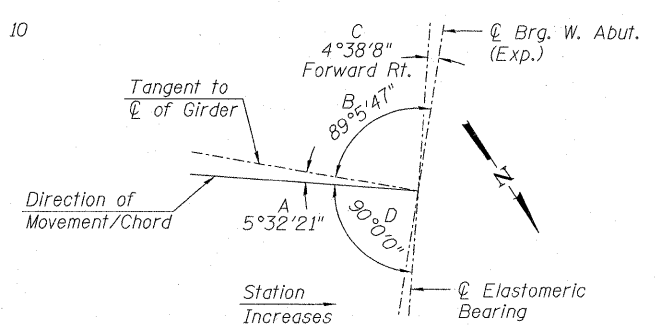
**PIER 3 (S.N. 082-0323)  
GIRDERS 1B-6B**



**PIER 7 (S.N. 082-0325)  
GIRDER 10B**



**PIER 10  
GIRDERS 8B & 11B**



**W. ABUT.  
GIRDER 11B**

**BEARING ORIENTATION - S.N. 082-0325 - UNIT 3**



|                            |                   |           |
|----------------------------|-------------------|-----------|
| USER NAME = BhattA         | DESIGNED - LLV    | REVISED - |
| PLOT SCALE = 0.1667' / in. | DRAWN - BRD       | REVISED - |
| PLOT DATE = #DATE#         | CHECKED -         | REVISED - |
|                            | DATE - 03/18/2011 | REVISED - |

STATE OF ILLINOIS  
DEPARTMENT OF TRANSPORTATION

BEARING LAYOUT & ORIENTATION - S.N. 082-0325 UNIT 3  
I-70W OVER I-55, CSX & KCS RAILROADS

SCALE: NONE SHEET NO. S-86 OF S-138 SHEETS STA. TO STA.

|   |                  |                    |                  |               |
|---|------------------|--------------------|------------------|---------------|
| F.A.I. RTE. 70                                  | SECTION 82-1-B-1 | COUNTY ST. CLAIR   | TOTAL SHEETS 319 | SHEET NO. 201 |
| S.N. 082-0323 & S.N. 082-0325                   |                  | CONTRACT NO. 76C75 |                  |               |
| FED. ROAD DIST. NO. [ILLINOIS] FED. AID PROJECT |                  |                    |                  |               |

P:\60846591\908\_CADD\901\_Drawing\76C75-Master-Consolidated\Structural\082-0323\Sheet\082-0323-0325-0325-76C75-Bearing-Unit-3.dgn