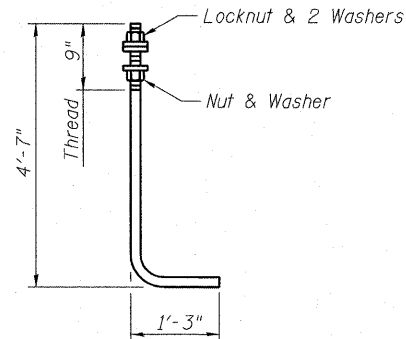
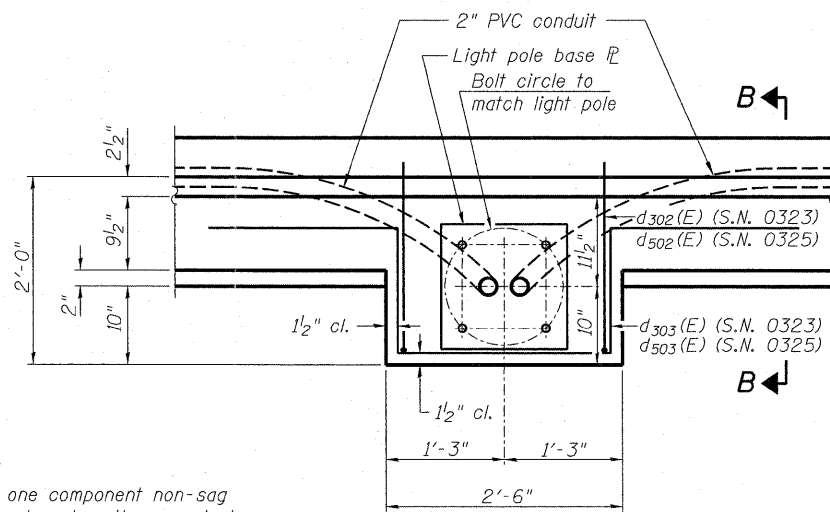


SECTION A-A

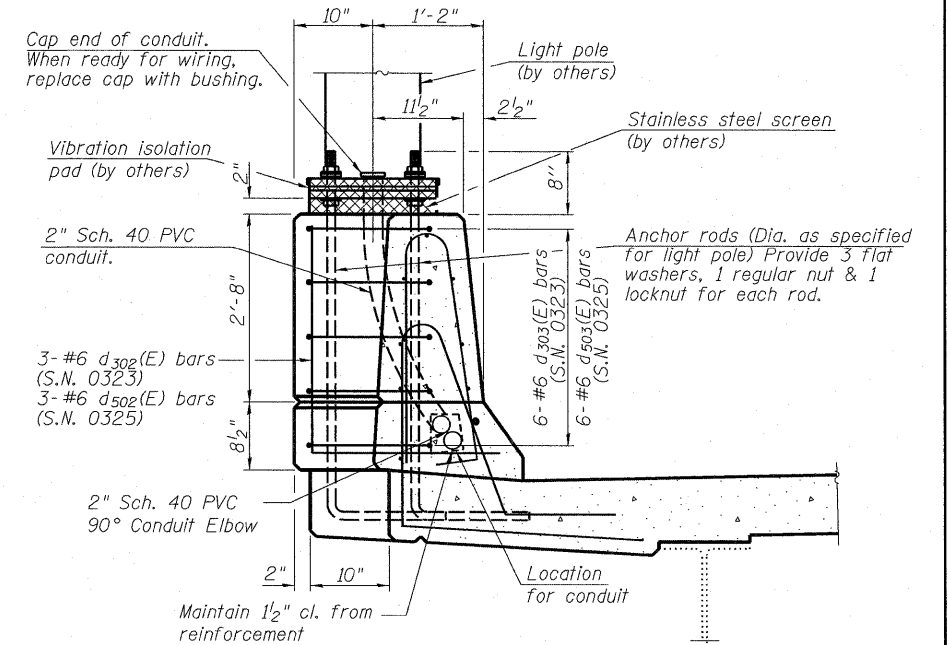


ANCHOR ROD
Diameter as specified for light poles.
(ASTM F 1554 Grade 105)



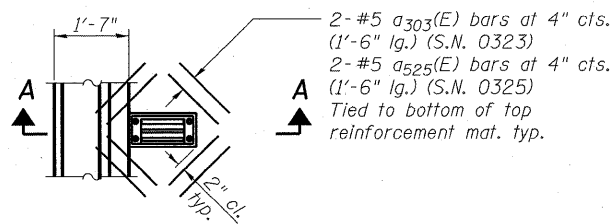
PLAN

Note:
Cost of anchor rods is included with Concrete Superstructure.



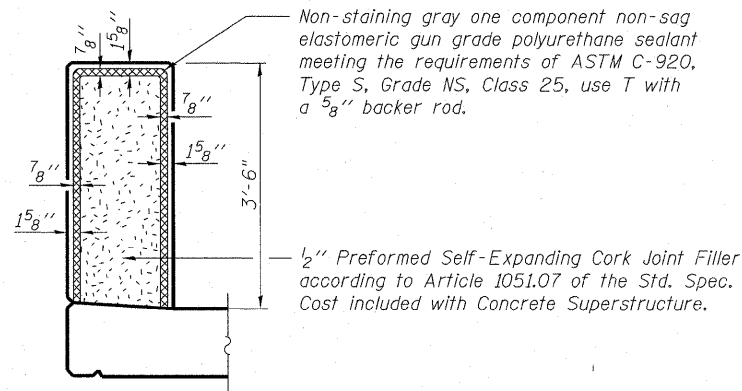
SECTION B-B

DETAIL 2
LIGHT POLE MOUNTED ON PARAPET

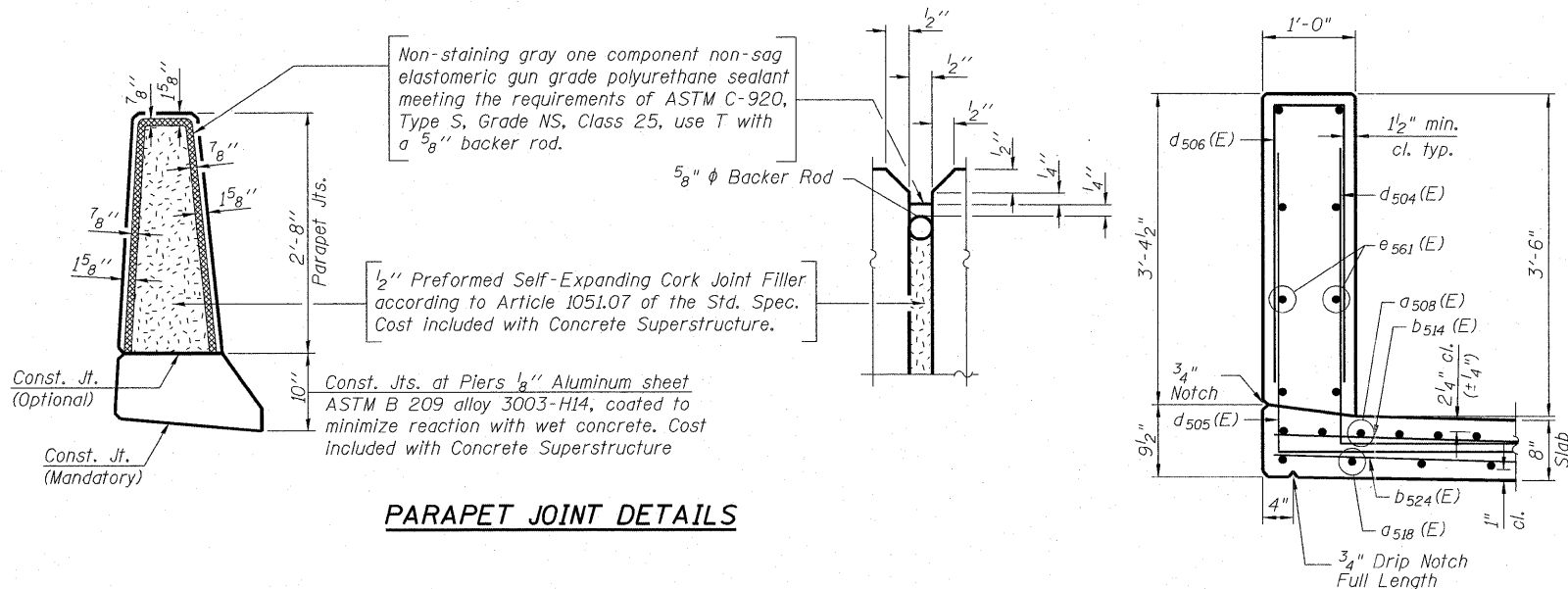


DETAIL 1
DRAINAGE SCUPPER

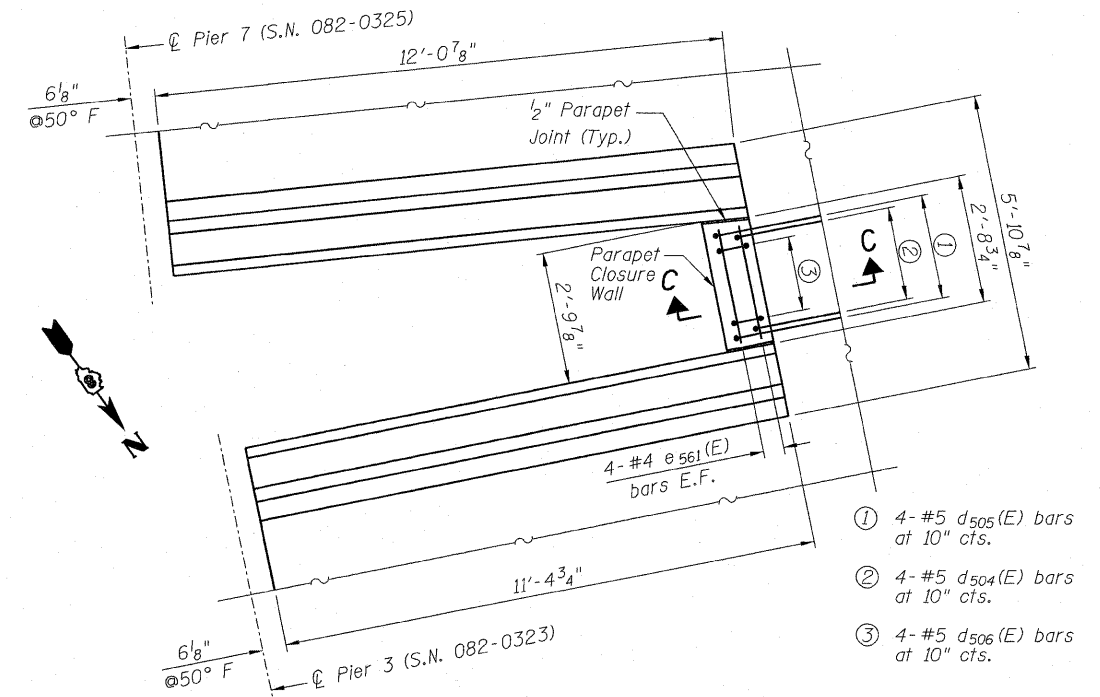
Note:
Cut longitudinal reinforcement to clear drainage scuppers.



PARAPET CLOSURE WALL JOINT DETAIL



PARAPET JOINT DETAILS



PLAN
UNIT 3 INTERIOR PARAPETS

DBTR:0820323-0820325-76C75-S47-Deck08a1a.dgn

AECOM	ZROKA Engineering	USER NAME = kstzm	DESIGNED - JLA	REVISED -	STATE OF ILLINOIS DEPARTMENT OF TRANSPORTATION	DECK DETAILS		F.A.I. RTE. 70	SECTION 82-1-B-1	COUNTY ST. CLAIR	TOTAL SHEETS 319	SHEET NO. 162
		PLOT SCALE = 2.0000' / 1" /	DRAWN - DAZ	REVISED -		I-70W OVER I-55, CSX & KCS RAILROADS		S.N. 082-0323 & S.N. 082-0325	CONTRACT NO. 76C75			
		PLOT DATE = #DATE#	CHECKED - SAW	REVISED -	SCALE: NONE SHEET NO. S-47 OF S-138 SHEETS STA. TO STA.		FED. ROAD DIST. NO. [ILLINOIS] FED. AID PROJECT					
		DATE - 3-18-11	DATE - 3-18-11	REVISED -								