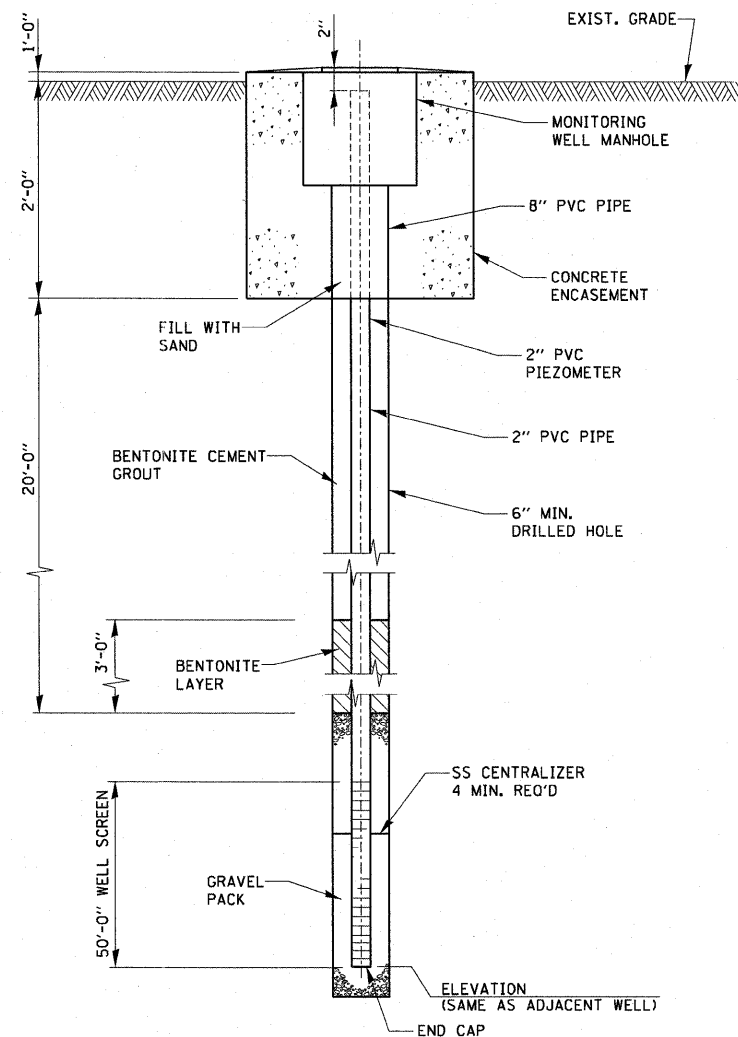
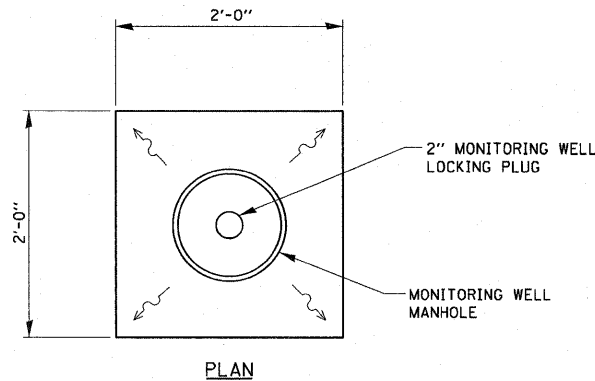


WELL SCREEN CENTERING GUIDE



DETAIL 3
PROFILE OF NEW PIEZOMETER
N.T.S.

NOTES:

1. LOCATE THE PROPOSED PIEZOMETER WELL WITHIN A 10'-0" RADIAL DISTANCE FROM EACH PROPOSED DEEP WELL. SEE DRAWING DW-04 FOR PROPOSED DEEP WELL STATION AND OFFSET DIMENSIONS.
2. SEE DW-04 FOR GRADE ELEVATIONS AND WELL POINT ELEVATIONS.

USER NAME = lantzt	DESIGNED - JPC	REVISED -	STATE OF ILLINOIS DEPARTMENT OF TRANSPORTATION	DEEP WELL DETAILS PROPOSED PIEZOMETER WELL			F.A.I. RTE. 70	SECTION 82-1-B-1	COUNTY ST. CLAIR	TOTAL SHEETS 319	SHEET NO. 112	
PLOT SCALE = 2.0000' / in.	DRAWN - TCL	REVISED -		SCALE: NONE	SHEET NO. 1 OF 1 SHEETS	STA. N/A TO STA. N/A	CONTRACT NO. 76C75					
PLOT DATE = *DATE*	CHECKED - WDS	REVISED -		FED. ROAD DIST. NO. [ILLINOIS] FED. AID PROJECT								
	DATE - 3-18-11	REVISED -										