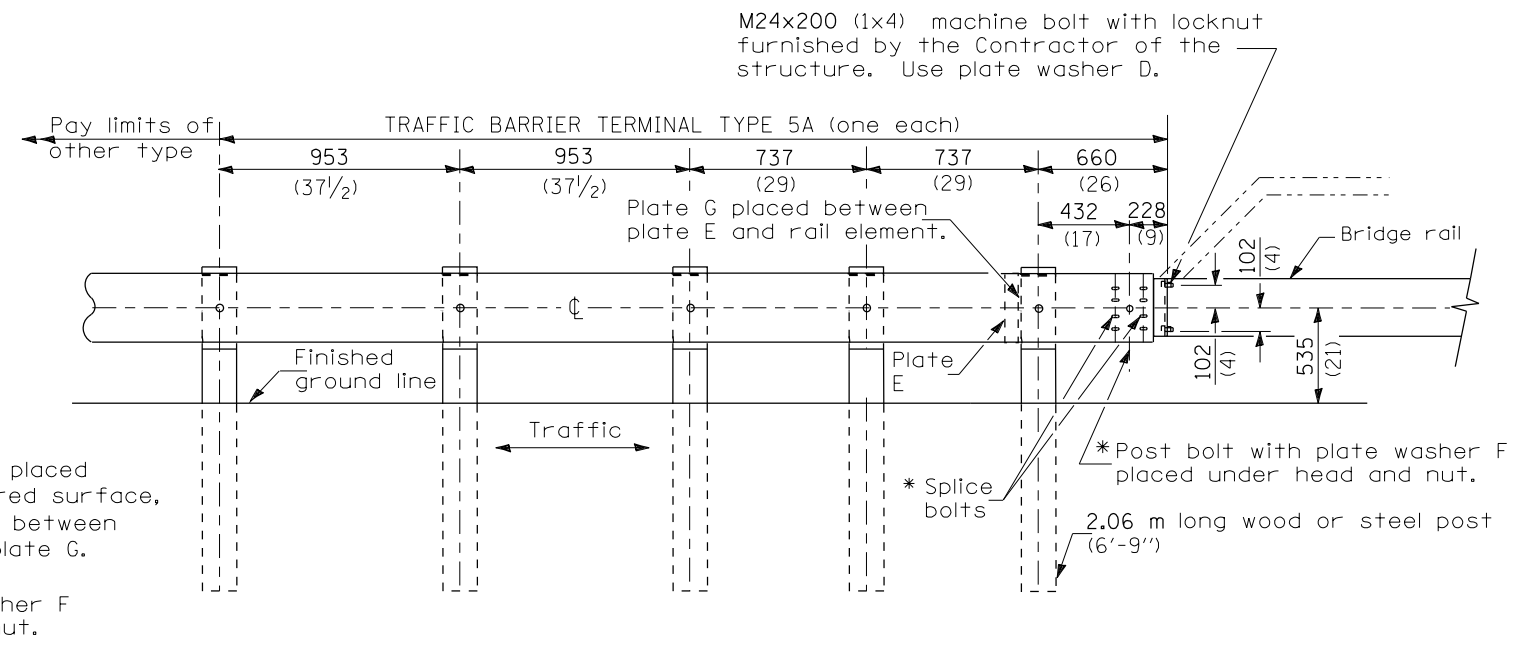
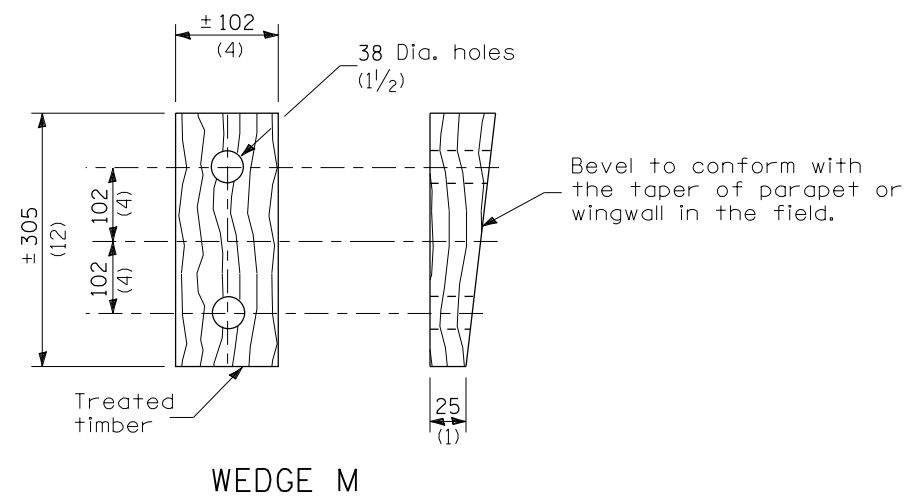
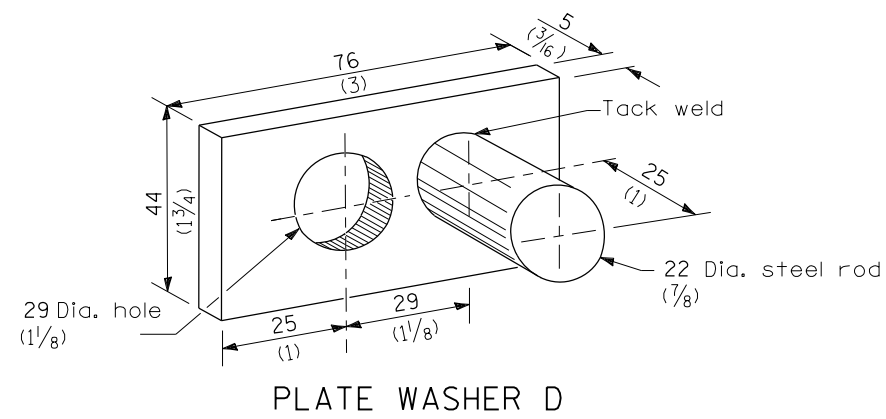
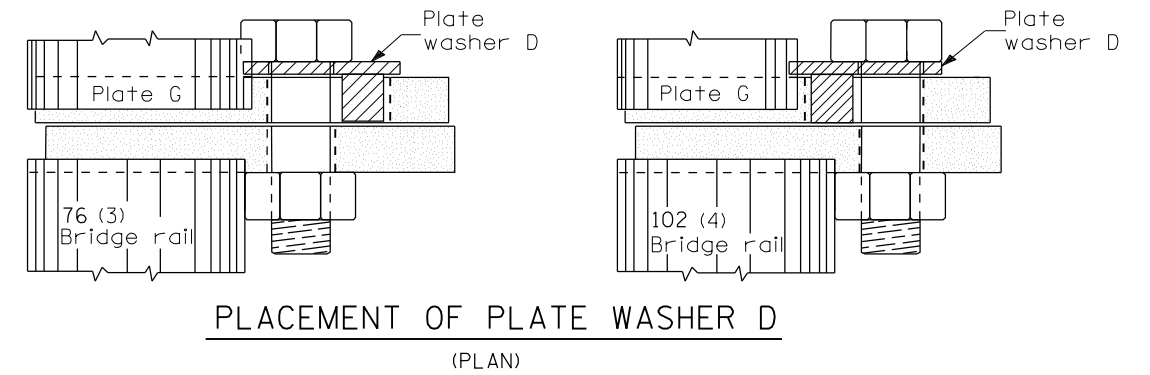
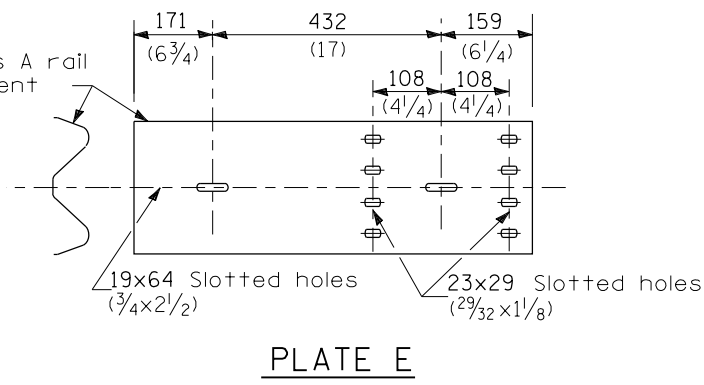
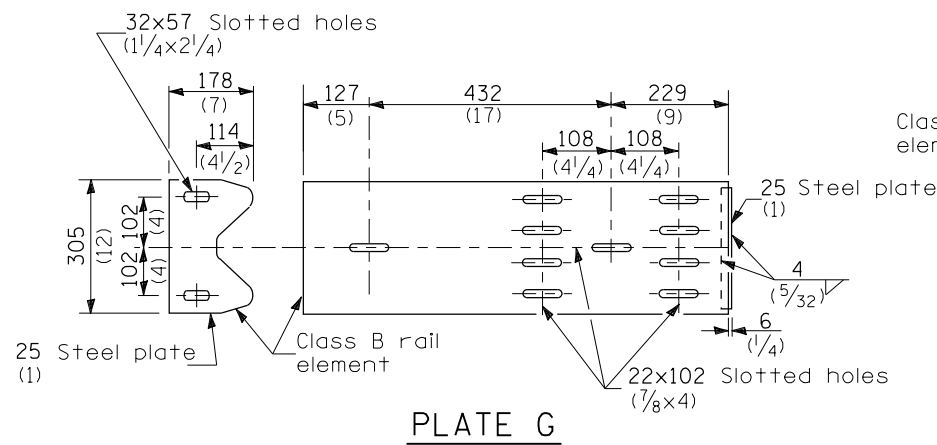


TYPE 5 - CONCRETE BRIDGE PARAPET



TYPE 5A - STEEL BRIDGE RAIL



GENERAL NOTES

- Install plate washer D so that the 25 mm (1") projection fills the remainder of the slotted holes in the 25 mm (1") end plate on plate G after the M24 (1") dia. bolts are in place.
- * Bolts shall be provided with locknut or double nut and shall be tightened only to a point that will allow plate G to be free to move when an expansion joint exists below the connector.
- See Standard 630001 for details of guardrail not shown.
- All dimensions are in millimeters (inches) unless otherwise shown.

FILE NAME =	USER NAME = Sparksgw	DESIGNED -	REVISED -	STATE OF ILLINOIS DEPARTMENT OF TRANSPORTATION	PRE-MGS HIGHWAY STANDARD 631026-02 TRAFFIC BARRIER TERMINAL TYPE 5 & 5A EFFECTIVE 4-1-2006 (SHEET 1 OF 1)	F.A. RTE.	SECTION	COUNTY	TOTAL SHEETS	SHEET NO.
et:\pw\work\p\id\dot\sparksgw\10262291\067239-sht-207-631026-02_TrafBarTermType5&5A.dwg	DRAWN -	REVISED -	VAR			•	VAR	18	14	
PLOT SCALE = 0:26.000 m / in.	CHECKED -	REVISED -	CONTRACT NO. 72E39							
PLOT DATE = Apr-01-2011 09:44:09AM	DATE -	REVISED -	ILLINOIS FED. AID PROJECT							
					SCALE:	SHEET NO.	OF SHEETS	STA.	TO STA.	• D6 CABLE/GUARDRAIL REPAIR 2011