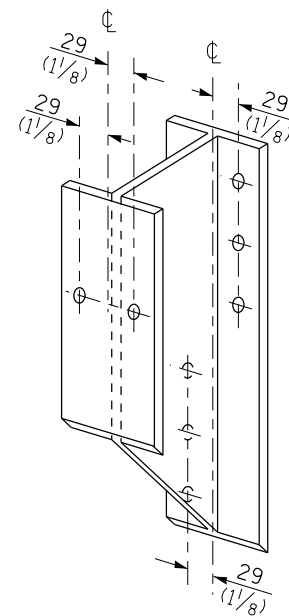
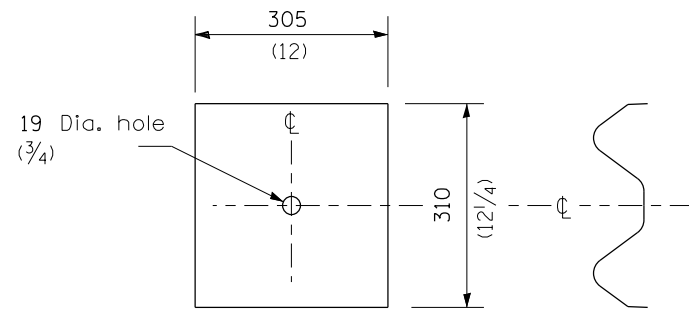


STEEL POST CONSTRUCTION



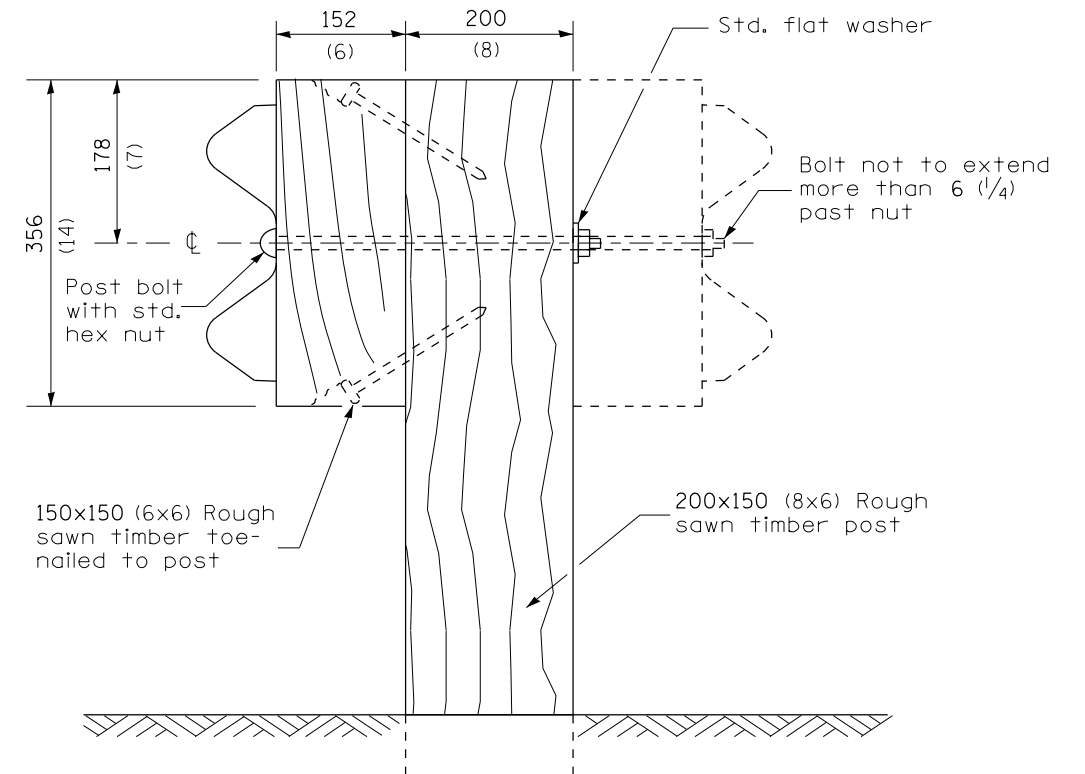
STEEL BLOCK-OUT DETAIL



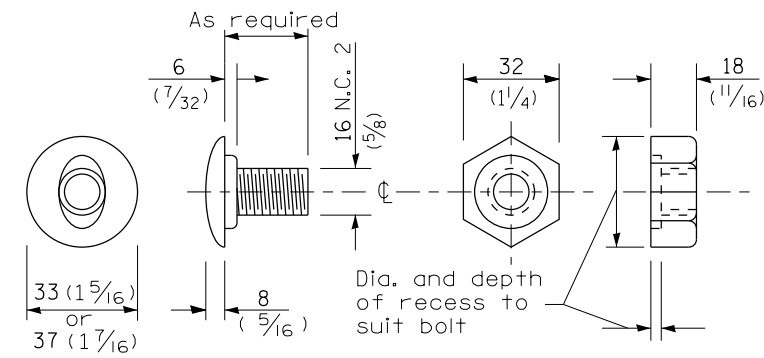
NOTE

Plate A shall be placed between rail element and block-out at non-splice mounting points only when steel block-outs are used.

PLATE A



WOOD POST CONSTRUCTION



POST OR SPLICE BOLT & NUT

FILE NAME =	USER NAME = Sparksgw	DESIGNED -	REVISED -
et:\pwork\pwork\sparksgw\0262291\067239-sht-207-630001-06_SteelPlateBeamGrd.dwg		DRAWN -	REVISED -
	PLOT SCALE = 0:26.000 m / in.	CHECKED -	REVISED -
	PLOT DATE = Apr-01-2011 09:43:52AM	DATE -	REVISED -

**STATE OF ILLINOIS
DEPARTMENT OF TRANSPORTATION**

**PRE-MGS HIGHWAY STANDARD 630001-06
STEEL PLATE BEAM GUARDRAIL
EFFECTIVE 4-1-06**

(SHEET 2 OF 4)

F.A. RTE.	SECTION	COUNTY	TOTAL SHEETS	SHEET NO.
VAR	.	VAR	18	8
			CONTRACT NO. 72E39	

SCALE: SHEET NO. OF SHEETS STA. TO STA.

ILLINOIS FED. AID PROJECT