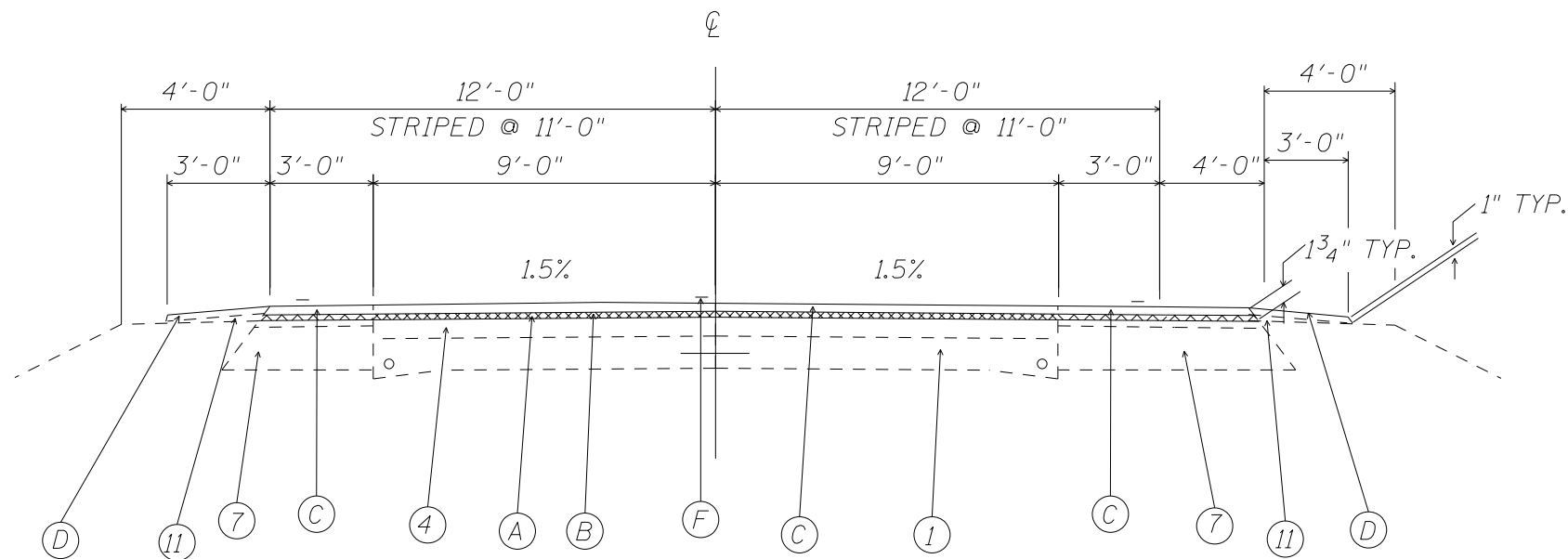
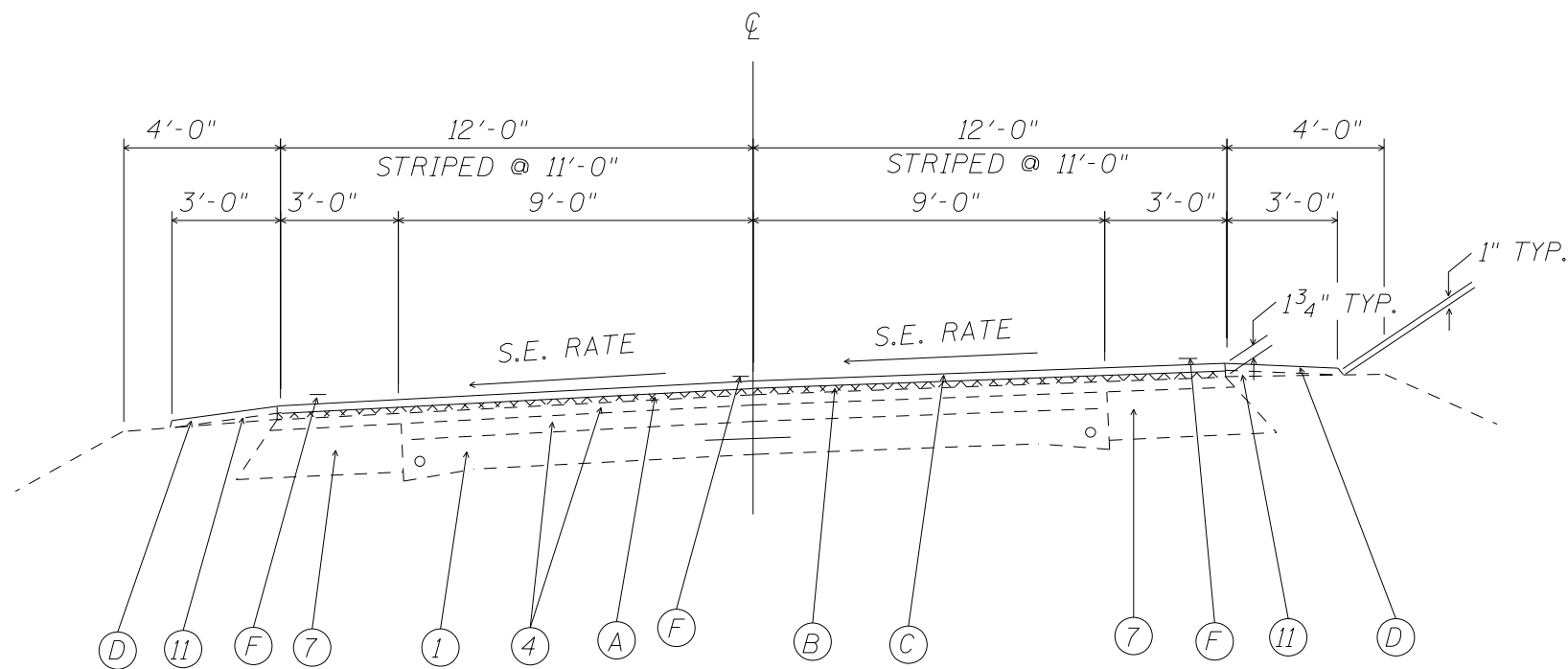


**LEGEND**

- 1 EXISTING 9-6-9 P.C.C. PAVEMENT
- 2 COMBINATION CURB AND GUTTER, TYPE 10
- 3 EXISTING 8" P.C.C. PAVEMENT
- 4 EXISTING HMA OVERLAY
- 5 EXISTING AGGREGATE BASE COURSE
- 6 EXISTING HMA BASE COURSE 8"
- 7 EXISTING HMA BASE COURSE WIDENING 8"
- 8 EXISTING HMA BASE COURSE WIDENING 9"
- 9 EXISTING P.C.C. BASE COURSE WIDENING 9"
- 10 EXISTING SUB-BASE GRANULAR MATERIAL
- 11 EXISTING AGGREGATE SHOULDERS
- 12 EXISTING COMBINATION CONCRETE CURB AND GUTTER, TYPE B-6.24
- A PROPOSED HMA SURFACE REMOVAL - (V.D.) - 3/4"
- B PROPOSED LEVEL BINDER - 3/4" N50
- C PROPOSED HMA SURFACE COURSE - 1 1/2" MIXC N50
- D PROPOSED AGGREGATE SHOULDERS, TYPE B
- E PROPOSED HMA SURFACE REMOVAL - 2 1/4"
- F PROPOSED PAINT PAVEMENT MARKING LINE - 5"
- G PROPOSED FURNISHED EXCAVATION
- H PROPOSED HMA LEVEL BINDER, N50 - V.D.



IL 10  
STA. 773+50 TO 776+50



IL 10  
STA. 796+60.34 TO 802+04

FILE NAME =	USER NAME = Sparksgw	DESIGNED -	REVISED -	<b>STATE OF ILLINOIS DEPARTMENT OF TRANSPORTATION</b>	<b>TYPICAL SECTION</b>				F.A. RTE.	SECTION	COUNTY	TOTAL SHEETS	SHEET NO.	
	et:\pwork\pwork\sparksgw\0258631\0672E32-sht-typical.dgn	DRAWN -	REVISED -		SCALE:	SHEET NO.	OF SHEETS	STA.	TO STA.	572	3RS-4	MASON	38	11
	PLOT SCALE = 4.0000' / in.	CHECKED -	REVISED -						CONTRACT NO. 72E32					
	PLOT DATE = Mar-25-2011 10:58:11AM	DATE -	REVISED -		ILLINOIS FED. AID PROJECT									