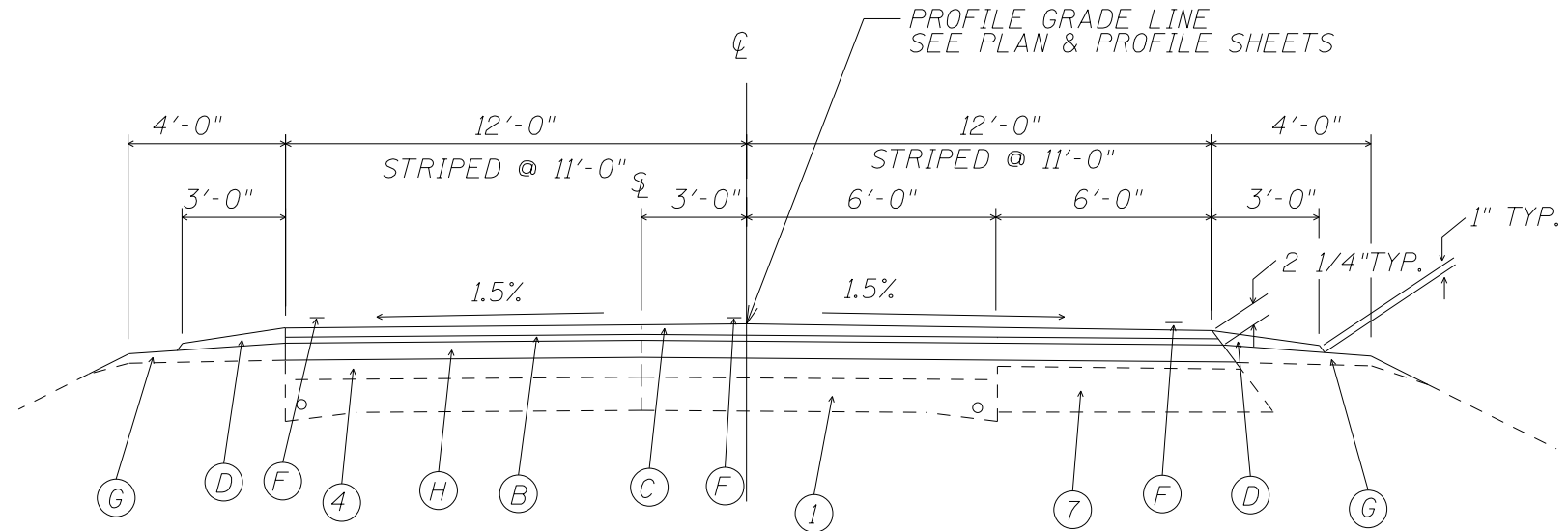
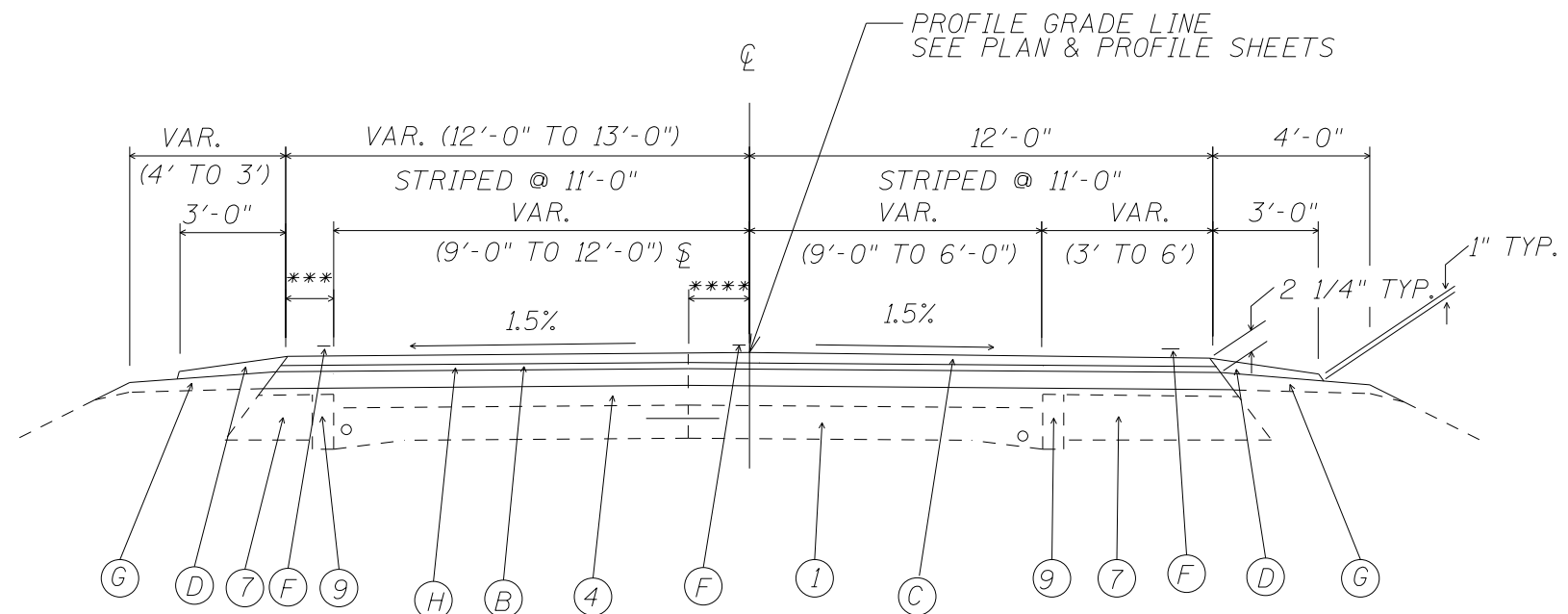


LEGEND

- 1 EXISTING 9-6-9 P.C.C. PAVEMENT
- 2 COMBINATION CURB AND GUTTER, TYPE 10
- 3 EXISTING 8" P.C.C. PAVEMENT
- 4 EXISTING HMA OVERLAY
- 5 EXISTING AGGREGATE BASE COURSE
- 6 EXISTING HMA BASE COURSE 8"
- 7 EXISTING HMA BASE COURSE WIDENING 8"
- 8 EXISTING HMA BASE COURSE WIDENING 9"
- 9 EXISTING P.C.C. BASE COURSE WIDENING 9"
- 10 EXISTING SUB-BASE GRANULAR MATERIAL
- 11 EXISTING AGGREGATE SHOULDERS
- 12 EXISTING COMBINATION CONCRETE CURB AND GUTTER, TYPE B-6.24
- A PROPOSED HMA SURFACE REMOVAL - (V.D.) - 3/4"
- B PROPOSED LEVEL BINDER - 3/4" N50
- C PROPOSED HMA SURFACE COURSE - 1 1/2" MIXC N50
- D PROPOSED AGGREGATE SHOULDERS, TYPE B
- E PROPOSED HMA SURFACE REMOVAL - 2 1/4"
- F PROPOSED PAINT PAVEMENT MARKING LINE - 5"
- G PROPOSED FURNISHED EXCAVATION
- H PROPOSED HMA LEVEL BINDER, N50 - V.D.



IL 10
STA. 708+00 TO 711+50



IL 10
STA. 711+50 TO 715+50

*** WIDENING WIDTH VARIES FROM 3'-0" TO 1'-0" STUB
 **** WIDTH VARIES FROM 0'-0" TO 3'-0"

FILE NAME =	USER NAME = Sparksgw	DESIGNED -	REVISED -	STATE OF ILLINOIS DEPARTMENT OF TRANSPORTATION	TYPICAL SECTION				F.A. RTE.	SECTION	COUNTY	TOTAL SHEETS	SHEET NO.	
		DRAWN -	REVISED -		SCALE:	SHEET NO.	OF SHEETS	STA.	TO STA.	572	3RS-4	MASON	38	9
		CHECKED -	REVISED -		CONTRACT NO. 72E32									
		DATE -	REVISED -		ILLINOIS FED. AID PROJECT									