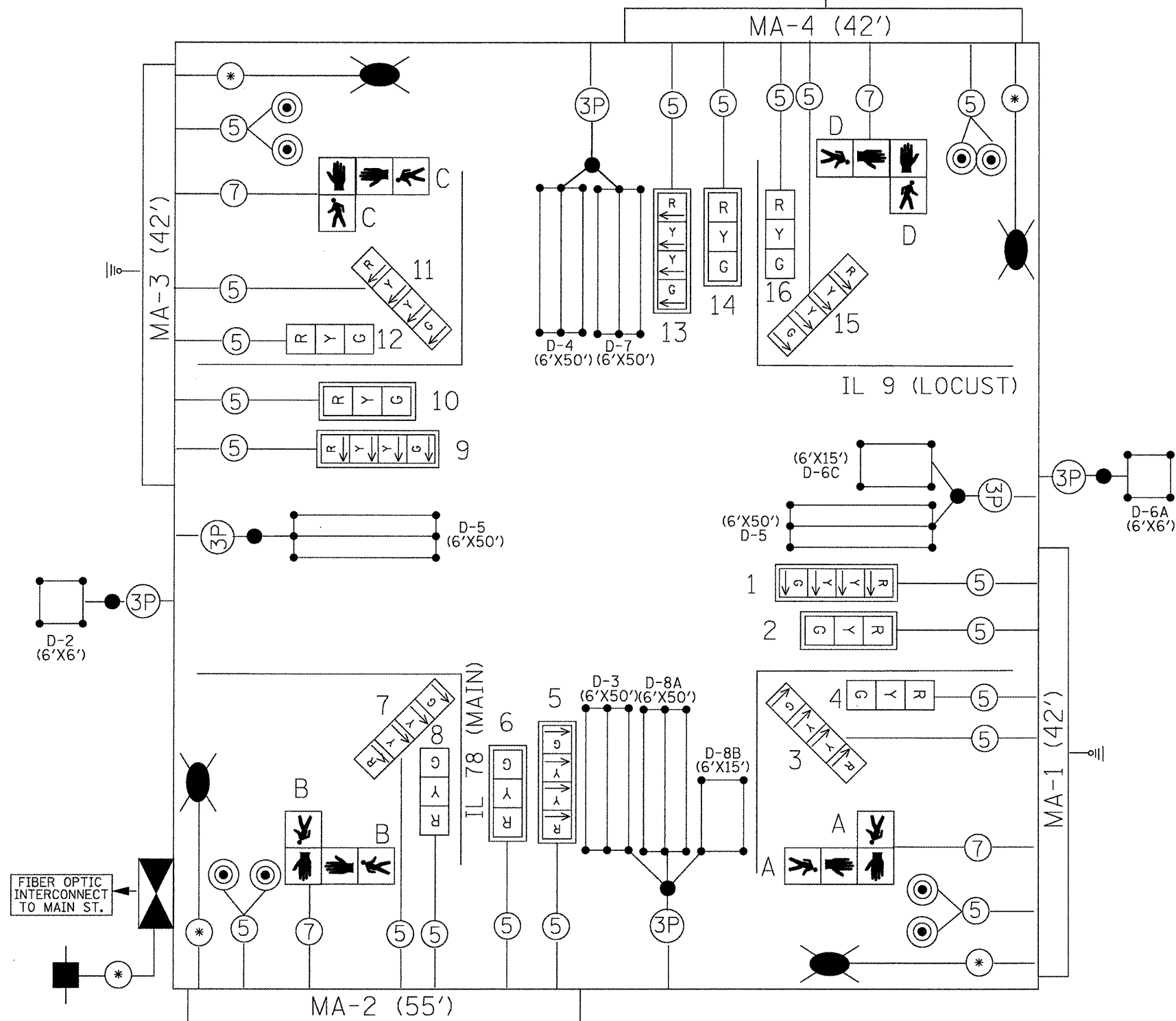
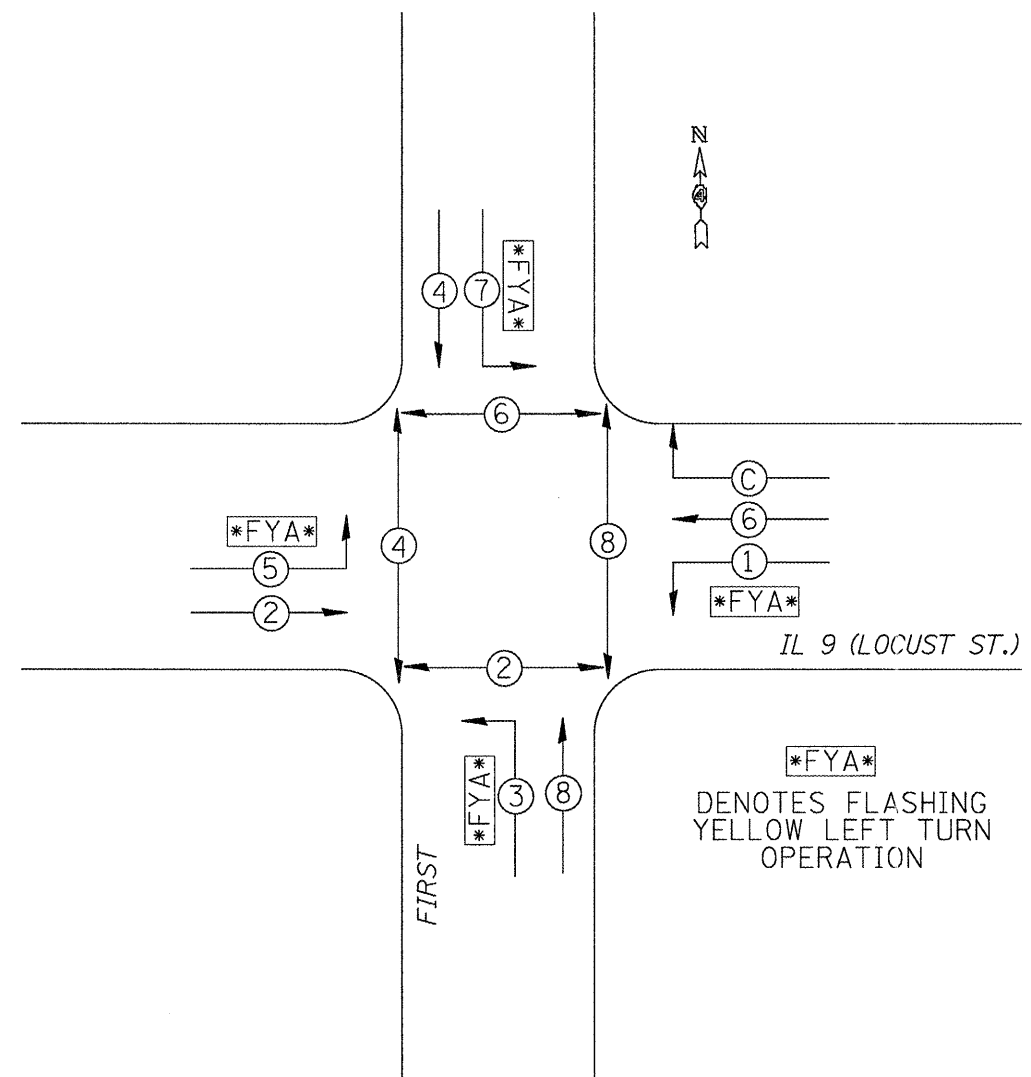


PROPOSED CABLE DIAGRAM

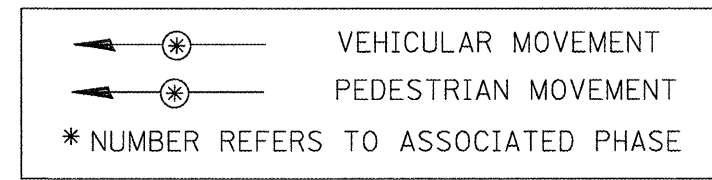


PROPOSED PHASE DIAGRAM

NAME OF INTERSECTION IL 9 (LOCUST) & FIRST  
 PROPOSED CONTROLLER: ECONOLITE ASC/3-2100, TS-2  
 TYPE 2, TYPE IV CABINET, TS-2 BACKPANEL (16 POSITION)



\*FYA\*  
 DENOTES FLASHING  
 YELLOW LEFT TURN  
 OPERATION



TRAFFIC SIGNALS LEGEND

- |  |                                      |  |                              |  |                                   |
|--|--------------------------------------|--|------------------------------|--|-----------------------------------|
|  | PROP. CONTROLLER (SIGNAL)            |  | *18 3-PR DETECTOR LOOP CABLE |  | PROP. SERVICE INSTALLATION        |
|  | PROP. 3 SEC. SIGNAL HEAD W/BACKPLATE |  | 5/C NO. 14 SIGNAL CABLE      |  | PROP. GROUND/SAFETY BOND          |
|  | PROP. 3 SEC. SIGNAL HEAD             |  | 7/C NO. 14 SIGNAL CABLE      |  | PROP. TYPE II SPLICE              |
|  | PROP. PEDESTRIAN HEAD                |  | *6 1/C X 3 (WITH GROUND)     |  | PROP. DETECTOR LOOP (6'X6')       |
|  | PROP. PEDESTRIAN PUSHBUTTON          |  | PROP. LUMINAIRE WITH PC      |  | PROP. DETECTOR LOOP (6'X50' QUAD) |

NOT TO SCALE  
 TRAFFIC SIGNALS  
 SHEET 19 OF 23