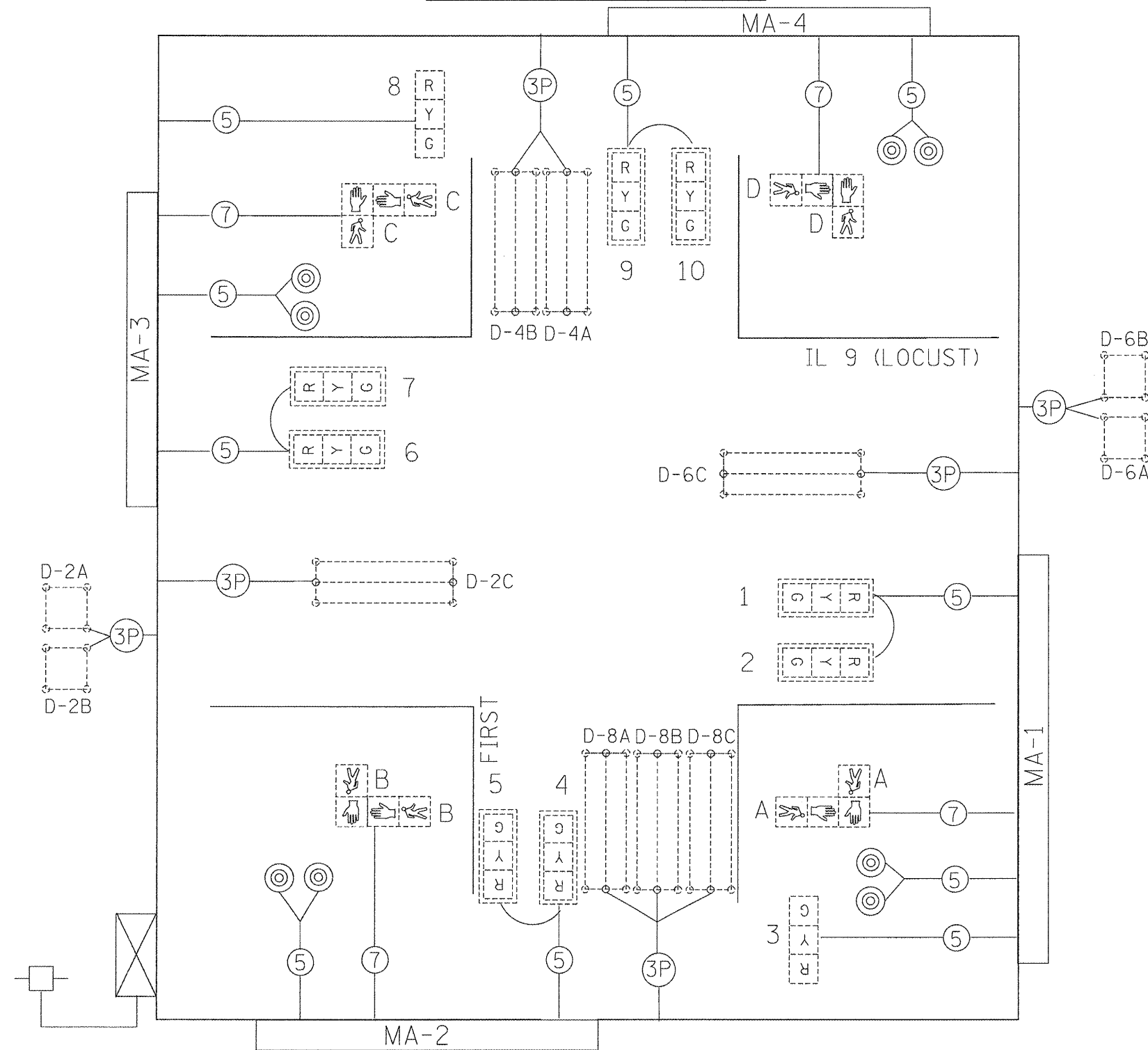
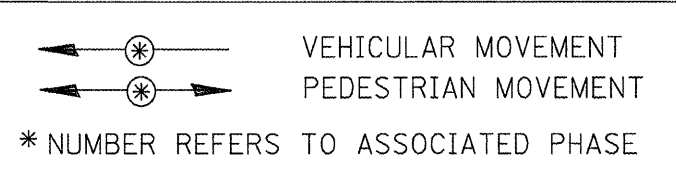
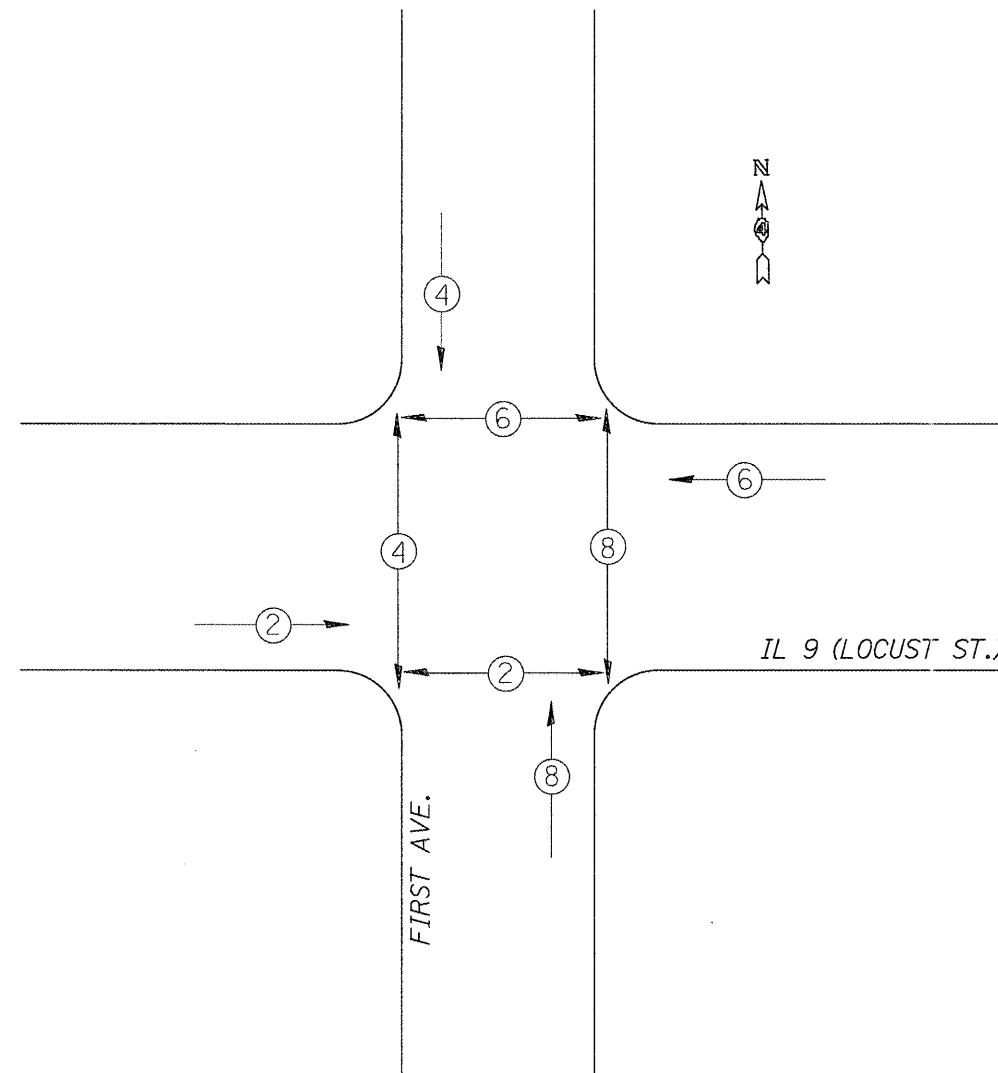


EXISTING CABLE DIAGRAM

EXISTING PHASE DIAGRAM



NAME OF INTERSECTION IL 9 (LOCUST) & FIRST
 EXISTING CONTROLLER: FULL ACTUATED CONTROLLER
ECONOLITE ASC/2S-2100 (TS-2), TYPE IV CABINET
TS-1 BACKPANEL (12 POSITION)



TRAFFIC SIGNALS LEGEND

- | | | | | | |
|--|------------------------------------|--|------------------------------|--|---------------------------------|
| | EX. CONTROLLER (SIGNAL) | | #18 3-PR DETECTOR LOOP CABLE | | EX. DETECTOR LOOP (6'X6') |
| | EX. 3 SEC. SIGNAL HEAD W/BACKPLATE | | 5/C NO. 14 SIGNAL CABLE | | EX. DETECTOR LOOP (6'X50' QUAD) |
| | EX. 3 SEC. SIGNAL HEAD | | 7/C NO. 14 SIGNAL CABLE | | EX. SERVICE INSTALLATION |
| | EX. PEDESTRIAN SIGNAL HEAD | | EX. PEDESTRIAN PUSHBUTTON | | |

NOT TO SCALE
 TRAFFIC SIGNALS
 SHEET 15 OF 23