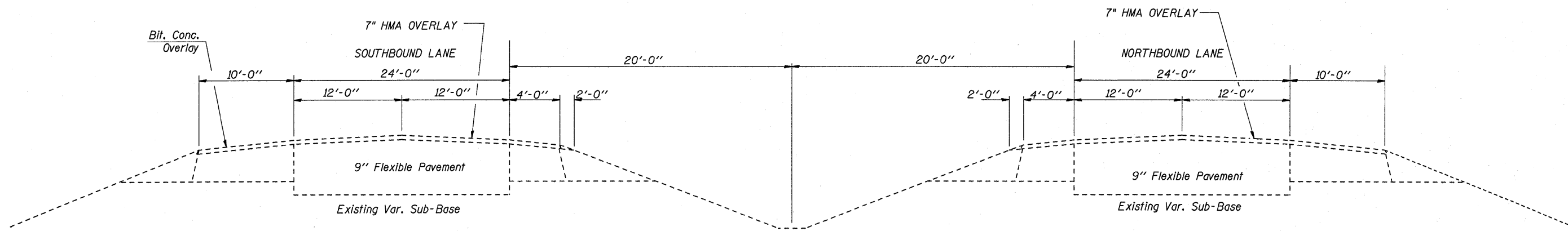


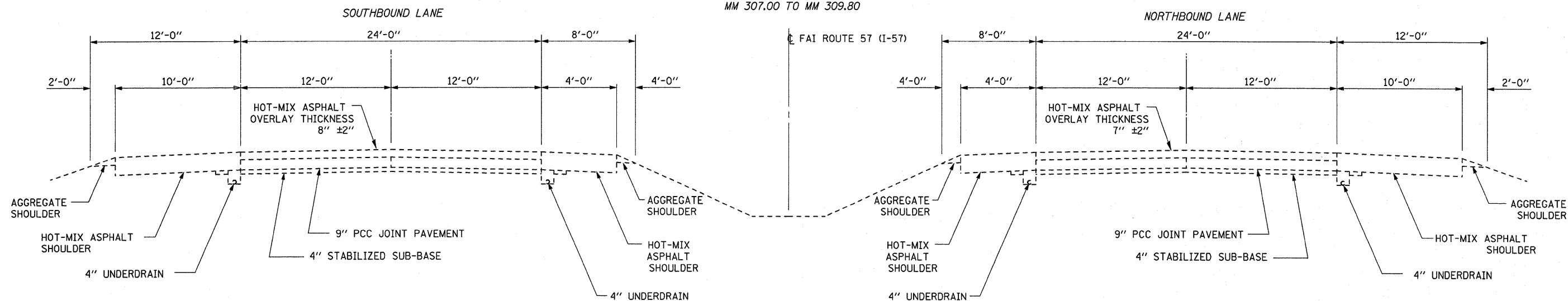
TYPICAL SECTION

MM 301.9 TO MM 307.00



TYPICAL SECTION

MM 307.00 TO MM 309.80



TYPICAL SECTION

MM 309.80 TO MM 313.89

FILE NAME =	USER NAME = monallysr	DESIGNED - RON WOODSHANK	REVISED -
c:\pwork\pwork\monallysr\d0264608\036838-sht-details.dgn		DRAWN - RON WOODSHANK	REVISED -
		CHECKED -	REVISED -
		DATE -	REVISED -

STATE OF ILLINOIS
DEPARTMENT OF TRANSPORTATION

TYPICAL SECTIONS

SCALE: SHEET NO. 1 OF 1 SHEETS

RTE.	SECTION	COUNTY	TOTAL SHEETS	SHEET NO.
FAI 57	D3 PAVEMENT PATCHING 2012-3	KANKAKEE	13	4
		CONTRACT NO. 66B38		

ILLINOIS