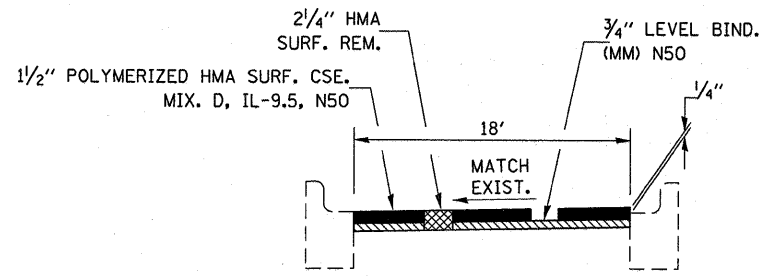


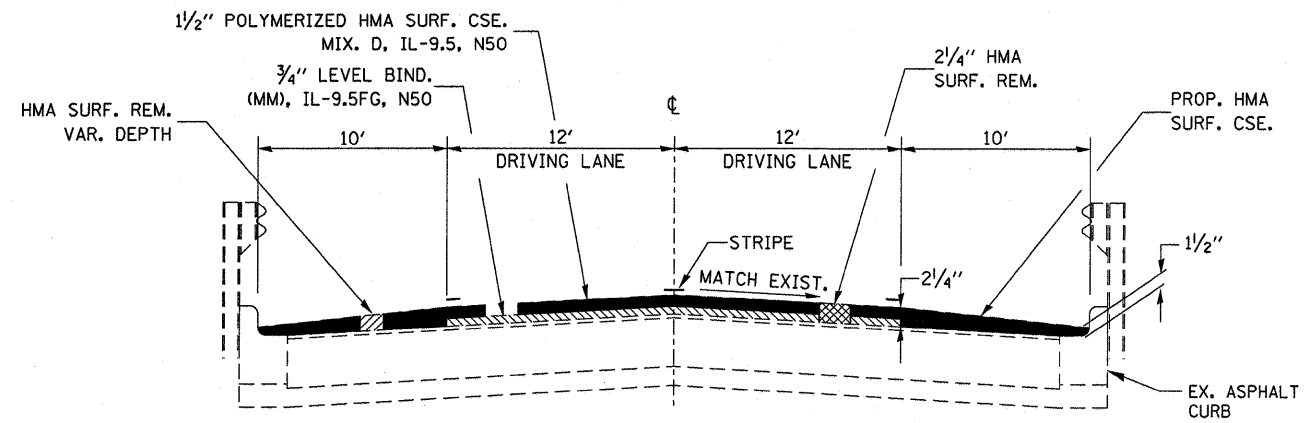
TYPICAL SECTION 9

IL. RTE. 23 -BLOOMINGTON ST.
 STA. 258+21 TO STA. 282+63
 STA. 287+69 TO STA. 296+37



TYPICAL SECTION 11

TURN LANE AT GORE
 STA. 283+00 TO STA. 618+85



TYPICAL SECTION 10

STA. 296+37 TO STA. 302+61

FILE NAME =	USER NAME = wasilewskim	DESIGNED -	REVISED -	STATE OF ILLINOIS DEPARTMENT OF TRANSPORTATION	IL 23 SOUTHBOUND- BLOOMINGTON ST. TYPICAL SECTIONS		F.A.P. RTE.	SECTION	COUNTY	TOTAL SHEETS	SHEET NO.
01\pwork\puidot\wasilewskim\d0248423\0366839-shd-details.DGN	DRAWN -	REVISED -	68				15Z,99,100RS-3, (37R)RS-2	*	50	7	
PLOT SCALE = 50,0000' / IN.	CHECKED -	REVISED -	* LASALLE & LIVINGSTON				CONTRACT NO. 66839				
PLOT DATE = Mar 25, 2011 - 03:21:30 PM	DATE -	REVISED -	SCALE:				SHEET NO.	OF SHEETS	STA.	TO STA.	ILLINOIS FED. AID PROJECT