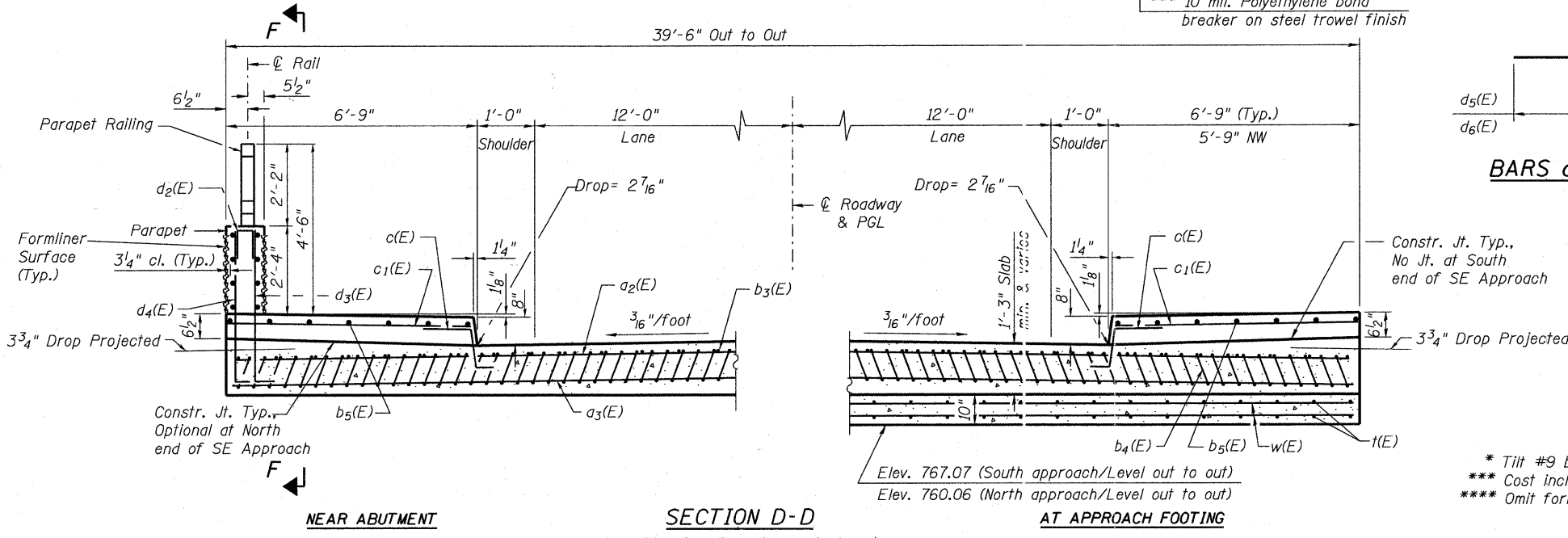
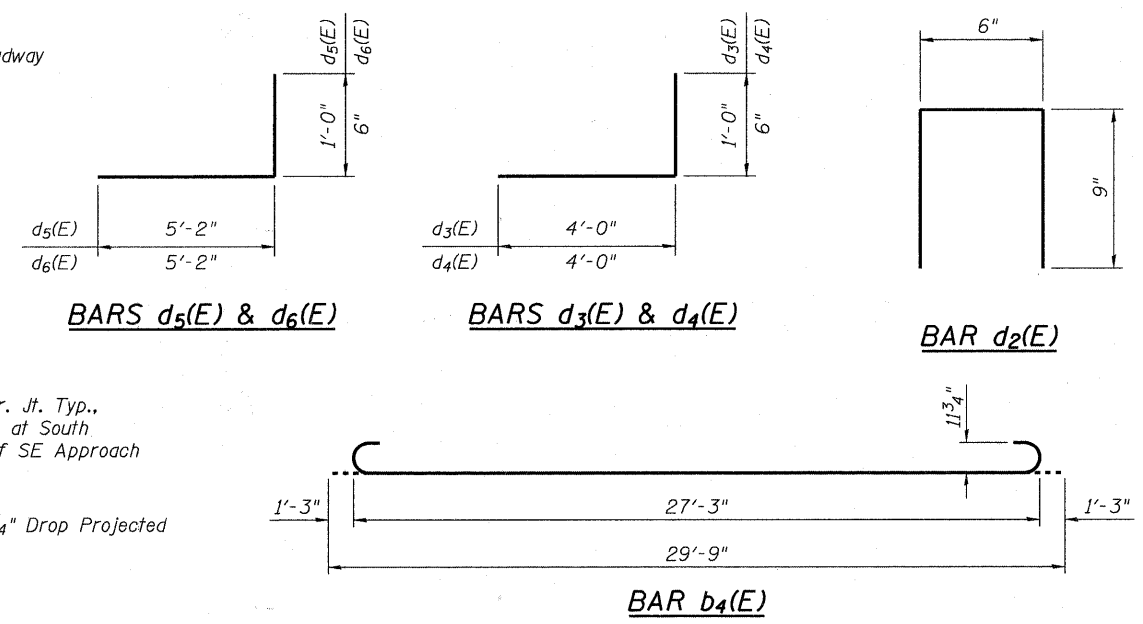


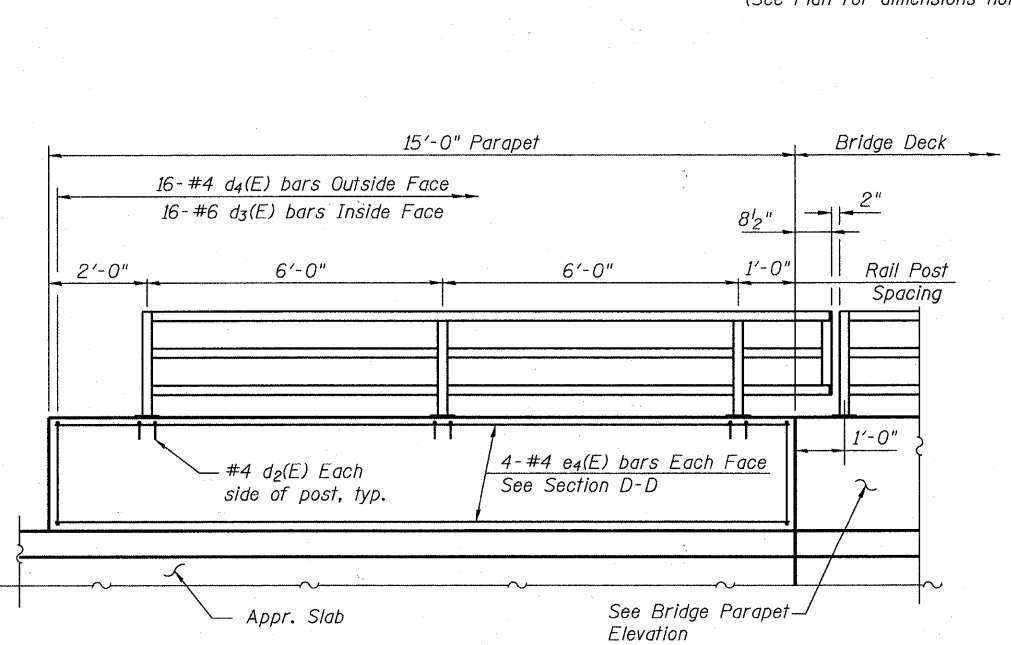
Notes:  
 See sheet 11 of 28 for Detail A and View B-B.  
 Approach slab and parapet concrete shall be paid for as Concrete Superstructure.  
 Approach footing concrete shall be paid for as Concrete Structures.  
 Reinforcement shall be paid for as Reinforcement Bars, Epoxy Coated.  
 For v(E) bar details, see sheet 8 of 28.  
 The approach footing maximum applied service bearing pressure (Qmax) = 2.0 ksf.  
 For bar splicer details, see sheet 21 of 28.  
 Cost of excavation for approach footing included with Concrete Structures.  
 For Porous Granular Embankment (Special) and drainage treatment details, see sheet 2 of 28.  
 For additional parapet details, see sheet 9 of 28.



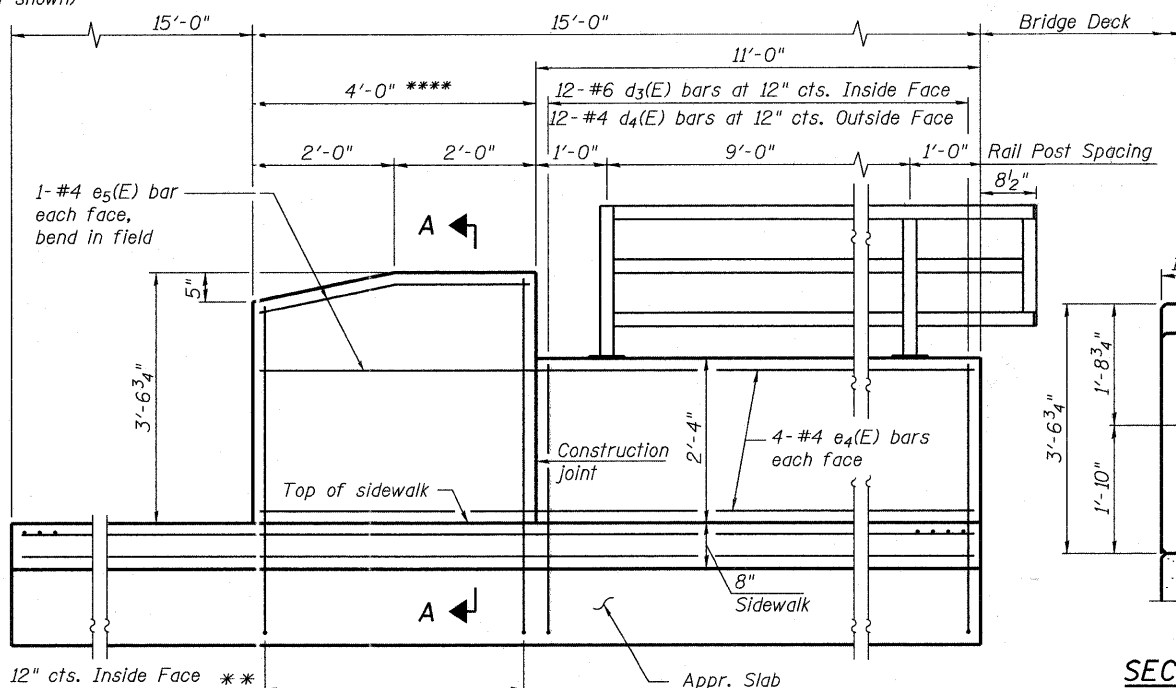
\* Tilt #9 b4(E) bars as required to maintain clearance.  
 \*\*\* Cost included with Concrete Superstructure.  
 \*\*\*\* Omit formliner in this area to allow for guardrail connection.

**TWO APPROACHES  
 BILL OF MATERIAL**

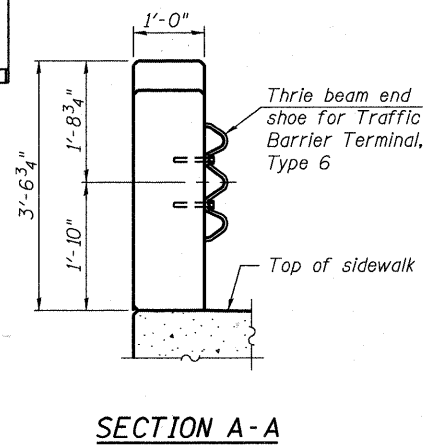
Bar	No.	Size	Length	Shape
a2(E)	50	#4	39'-2"	—
a3(E)	92	#5	39'-2"	—
b3(E)	64	#4	29'-8"	—
b4(E)	189	#9	29'-9"	U
b5(E)	27	#4	29'-8"	—
c(E)	108	#5	2'-4"	—
c1(E)	93	#5	6'-4"	—
c2(E)	1	#5	8'-4"	—
d2(E)	16	#4	2'-0"	□
d3(E)	44	#6	5'-0"	—
d4(E)	44	#4	4'-6"	—
d5(E)	5	#6	6'-2"	—
d6(E)	5	#4	5'-8"	—
e4(E)	24	#4	14'-8"	—
e5(E)	4	#4	3'-8"	—
t(E)	158	#4	9'-8"	—
w(E)	40	#5	39'-2"	—
w1(E)	40	#5	38'-2"	—
Protective Coat		Sq. Yd.	293	
Concrete Superstructure		Cu. Yd.	118.1	
Concrete Structures		Cu. Yd.	24.1	
Bridge Deck Grooving		Sq. Yd.	160	
Form Liner Textured Surface, Special		Sq. ft.	210	
Reinforcement Bars, Epoxy Coated		Pound	32,220	



**VIEW F-F**  
 (SW & NE)



**VIEW E-E**  
 (Outside Face NW)



**SECTION A-A**

BA-0

7-1-10

(Sheet 3 of 3)

**Bollinger, Lach & Associates, Inc.**  
 ITASCA, ILLINOIS

USER NAME = gonzalo	DESIGNED - SRT	REVISED -
PLOT SCALE =	CHECKED - JJI	REVISED -
PLOT DATE = 3/28/2011	DRAWN - GM	REVISED -
	CHECKED - JJI	REVISED -

**McHENRY COUNTY  
 DIVISION OF TRANSPORTATION  
 BLIVIN STREET OVER NIPPERSINK CREEK**

**BRIDGE APPROACH SLAB DETAILS  
 STRUCTURE NO. 056-3191**  
 SCALE: SHEET NO. 12 OF 28 SHEETS STA. TO STA.

F.A. RTE.	SECTION	COUNTY	TOTAL SHEETS	SHEET NO.
	08-00355-00-BR	MCHEMRY	69	37
			CONTRACT NO. 63583	
ILLINOIS FED. AID PROJECT				