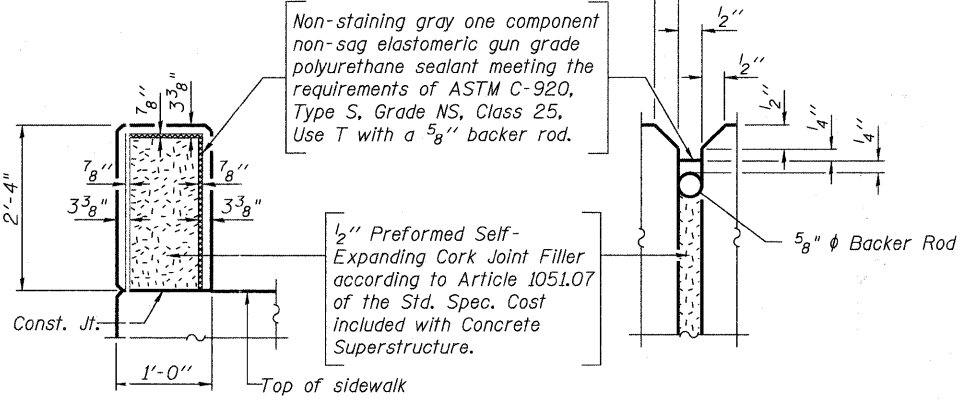
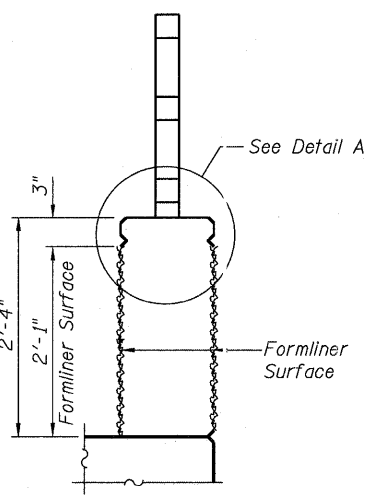


SECTION THRU SIDEWALK

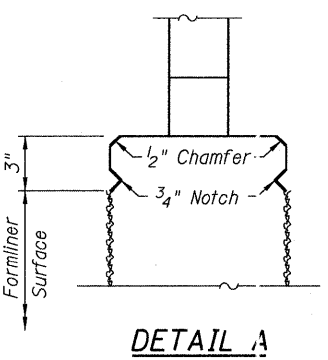
* Bend d(E) and d1(E) as required longitudinally to clear rail post anchor, maintain minimum reinforcement clearance.



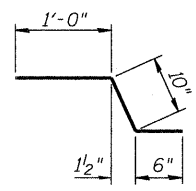
PARAPET JOINT DETAILS



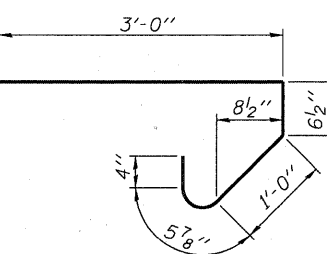
PARAPET FORMLINER



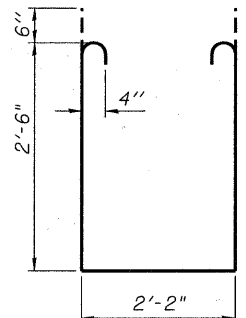
DETAIL A



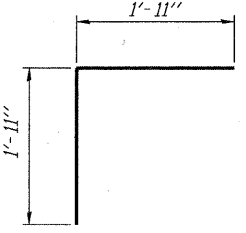
BAR c(E)



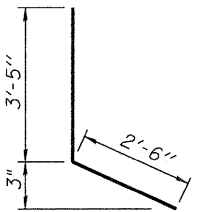
BAR s(E)



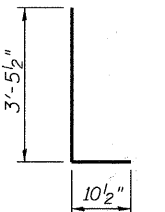
BAR s1(E)



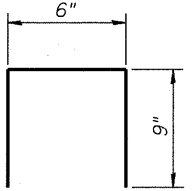
BAR v(E)



BAR d(E)



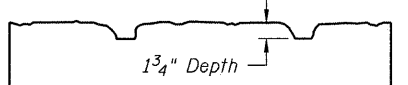
BAR d1(E)



BAR d2(E)

SUPERSTRUCTURE BILL OF MATERIAL

Bar	No.	Size	Length	Shape
a(E)	294	#5	38'-10"	—
a1(E)	192	#5	35'-6"	—
b(E)	342	#5	28'-8"	—
b1(E)	80	#6	30'-6"	—
b2(E)	231	#5	24'-11"	—
c(E)	320	#5	2'-4"	—
c1(E)	320	#5	6'-4"	—
d(E)	320	#4	5'-11"	—
d1(E)	320	#6	4'-4"	—
d2(E)	68	#4	2'-0"	—
e(E)	32	#4	13'-8"	—
e1(E)	64	#4	13'-10"	—
e2(E)	64	#4	6'-8"	—
e3(E)	48	#4	15'-0"	—
m(E)	10	#6	39'-2"	—
m1(E)	24	#6	9'-10"	—
m2(E)	10	#6	6'-1"	—
m3(E)	4	#6	3'-1"	—
s(E)	82	#5	5'-5"	—
s1(E)	72	#4	8'-2"	—
v(E)	80	#5	3'-10"	—
Protective Coat		Sq. Yd.	802	
Reinforcement Bars, Epoxy Coated		Pound	49,130	
Concrete Superstructure		Cu. Yds.	268.3	
Bridge Deck Grooving		Sq. Yd.	424	
Form Liner Textured Surface, Special		Sq. Ft.	1481	



FORM LINER TEXTURE DETAIL

See Special Provisions

Note:
 Custom Rock Form Liner Textured Surface to be used on inside and outside faces of Parapet Utilize formliner pattern #1218 or equivalent, no dye is to be used.
 The depth of relief of the Form Liner Textured Surface is limited to 1 3/4". The relief should not compromise the reinforcement clearance in the Parapet.

FILE NAME = M:\755-210 Blivin Phase II\CADD_Sheets\Structure\755-210_SHT-09_S - SUPERSTRUCTURE DETAILS.dwg



USER NAME = gonzalo	DESIGNED - SRT	REVISED -
PLOT SCALE =	CHECKED - JJI	REVISED -
PLOT DATE = 3/25/2011	DRAWN - GM	REVISED -
	CHECKED - JJI	REVISED -

McHENRY COUNTY
DIVISION OF TRANSPORTATION
BLIVIN STREET OVER NIPPERSINK CREEK

SUPERSTRUCTURE DETAILS
STRUCTURE NO. 056-3191

SCALE: SHEET NO. 9 OF 28 SHEETS STA. TO STA.

F.A. RTE.	SECTION	COUNTY	TOTAL SHEETS	SHEET NO.
	08-00355-00-BR	MCHEMRY	69	34
			CONTRACT NO. 63583	
ILLINOIS FED. AID PROJECT				