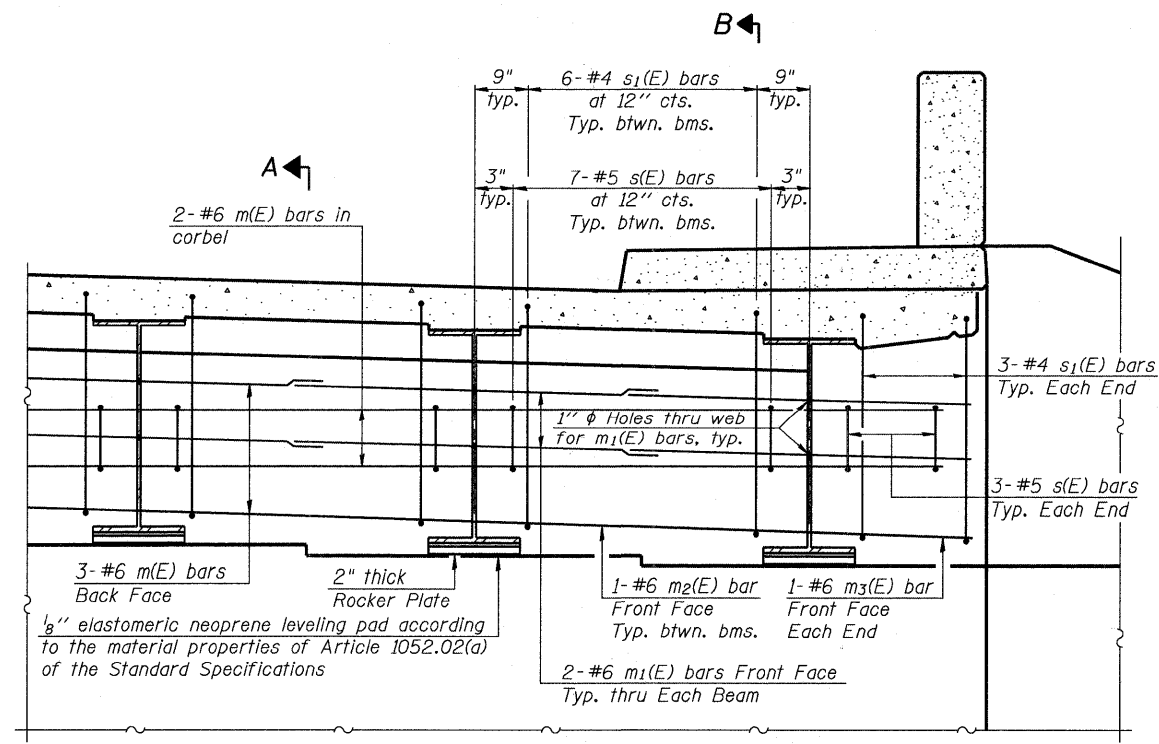
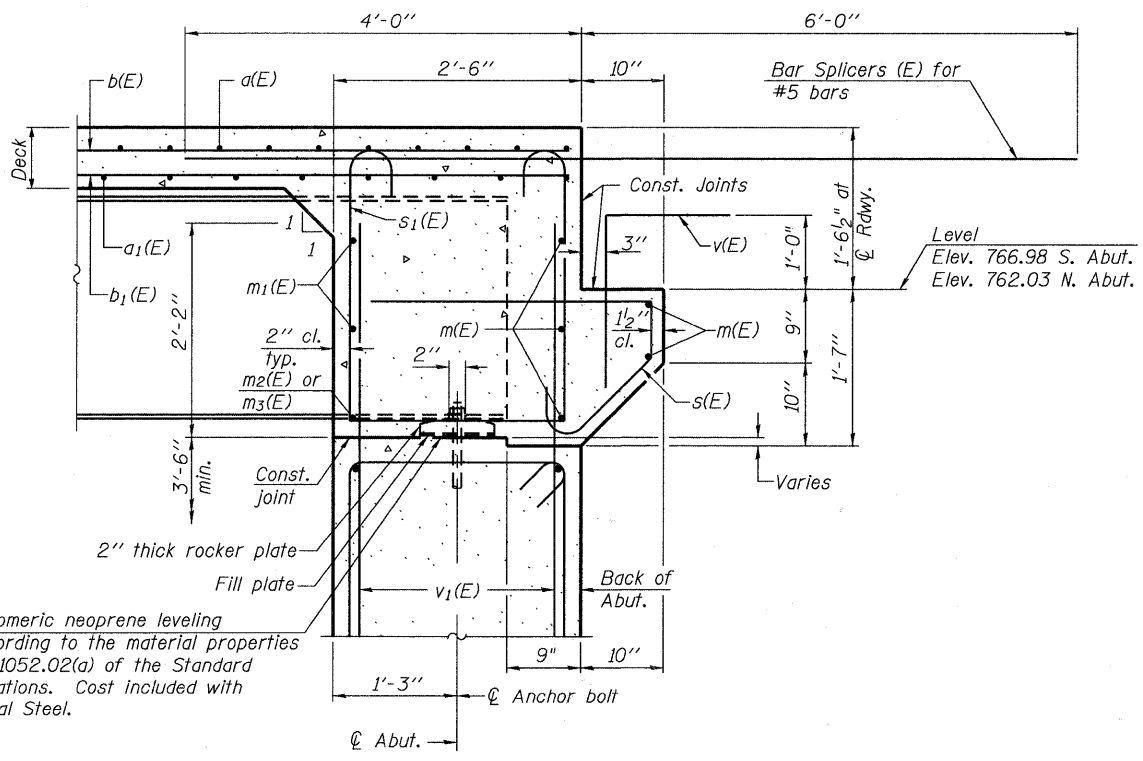


SECTION B-B



DIAPHRAGM ELEVATION AT ABUTMENT



SECTION A-A

Notes:
 Reinforcement bars in diaphragm are billed with superstructure on sheet 9 of 28.
 Concrete in diaphragm is included with Concrete Superstructure on sheet 9 of 28.
 For details of bars s(E) & s1(E) see sheet 9 of 28.
 The s(E) and s1(E) bars shall be placed parallel to the beams. Spacing for these bars shall be at right angles to the beams.

Minimum Bar Lap
 #6 bar = 3'-4"

FILE NAME = M:\755-010 Blvin Phase II\CADD\Sheets\Structural\755-010_SHT-08_S-INTEGRAL ABUTMENT DIA DETAILS.dgn

SI-DS2

7-1-10

Bollinger, Lach & Associates, Inc.
 ITASCA, ILLINOIS

USER NAME = gonzo	DESIGNED - SRT	REVISED -
PLOT SCALE =	CHECKED - JJI	REVISED -
PLOT DATE = 3/25/2011	DRAWN - GM	REVISED -
	CHECKED - JJI	REVISED -

McHENRY COUNTY
DIVISION OF TRANSPORTATION
BLVIN STREET OVER NIPPERSINK CREEK

INTEGRAL ABUTMENT DIAPHRAGM DETAILS
STRUCTURE NO. 056-3191
 SCALE: SHEET NO. 8 OF 28 SHEETS STA. TO STA.

F.A. RTE.	SECTION	COUNTY	TOTAL SHEETS	SHEET NO.
	08-00355-00-BR	MCHENRY	69	33
			CONTRACT NO. 63583	
ILLINOIS FED. AID PROJECT				