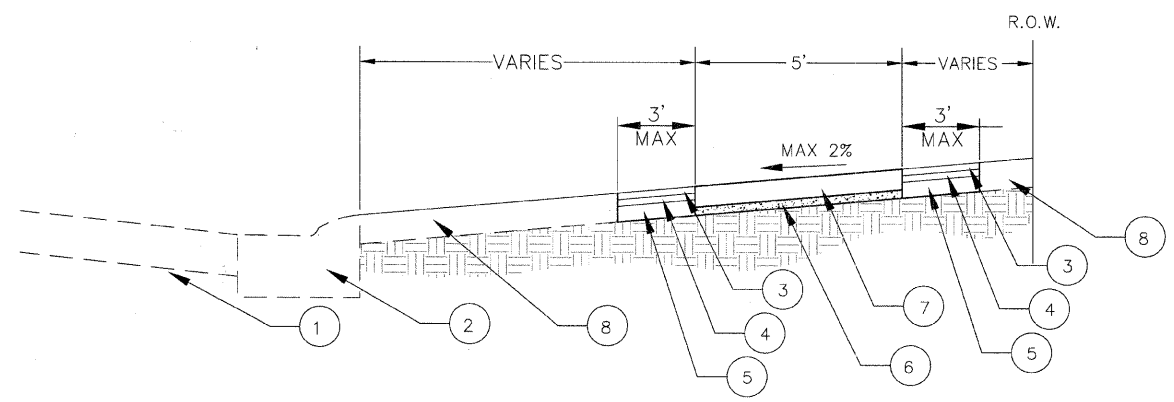


FAU RTEs.	SECTION	COUNTY	TOTAL SHEETS	SHEET NO.
1547, 2757	01-00024-00-SW	COOK	24	6
STA. 09+99		TO STA. 112+83		
FED. ROAD DIST. NO.	ILLINOIS	FED. AID PROJECT		
CONTRACT NO. 63441				

- |   |  |
|---|--|
| ① EXISTING PAVEMENT   | ⑥ PROPOSED AGGREGATE BASE COURSE, TYPE B, 4" |
| ② EXISTING CURB AND GUTTER (DEPRESSED)                                | ⑦ PCC SIDEWALK, 8"                           |
| ③ PROPOSED HOT-MIX ASPHALT SURFACE COURSE, MIX 'C', N50, 1 1/2" (MIN) | ⑧ EXISTING HOT-MIX ASPHALT DRIVEWAY          |
| ④ PROPOSED HOT-MIX ASPHALT BINDER COURSE, IL19.0, N50, 2 1/4"         |  |
| ⑤ PROPOSED AGGREGATE BASE COURSE, TYPE B, 8"                          |  |



PROPOSED TYPICAL CROSS SECTION  
AT HOT-MIX ASPHALT DRIVEWAYS  
(PRIVATE OR NON-COMMERCIAL)

**hbe** **Hoeflerle-Butler Engineering, Inc.**  
 Consulting Civil Engineers - Land Surveyors  
 PROFESSIONAL DESIGN FIRM LICENSE NO. 084-000819  
 8714 S. ROBERTS ROAD - HICKORY HILLS, ILLINOIS 60457  
 (708) 595-8980 FAX (708) 595-8798

REVISIONS		ILLINOIS DEPARTMENT OF TRANSPORTATION VILLAGE OF JUSTICE 79th STREET & ROBERTS ROAD SIDEWALK CONSTRUCTION STREET RETURN, PIPE HANDRAIL, & RETAINING WALL DETAILS
NAME	DATE	
JMH PER REVIEW	02.28.10	DRAWN BY: JMH CHECKED BY: SAL DATE: 12/03/09
FCC PER REVIEW	05.11.10	
JMH PER REVIEW	12.01.10	
SHEET No's	03.24.11	