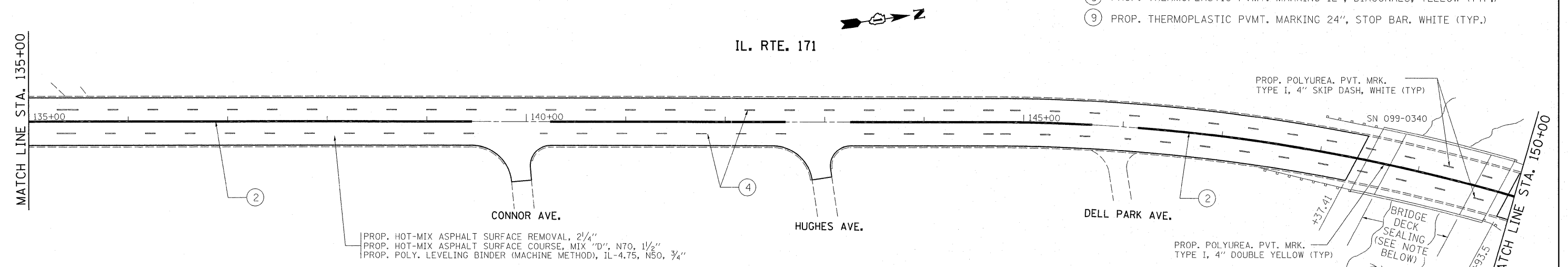


- ① PROP. THERMOPLASTIC PVMT. MARKING 4", LINE, WHITE (TYP.)
- ② PROP. THERMOPLASTIC PVMT. MARKING 4", DOUBLE YELLOW (TYP.)
- ③ PROP. THERMOPLASTIC PVMT. MARKING 4", SKIP DASH, YELLOW (TYP.)
- ④ PROP. THERMOPLASTIC PVMT. MARKING 4", SKIP DASH, WHITE (TYP.)
- ⑤ PROP. THERMOPLASTIC PVMT. MARKING 6", TURN LANE, WHITE (TYP.)
- ⑥ PROP. THERMOPLASTIC PVMT. MARKING 6", CROSSWALK, WHITE (TYP.)
- ⑦ PROP. THERMOPLASTIC PVMT. MARKING 12", LONGITUDINAL BAR, WHITE (TYP.)
- ⑧ PROP. THERMOPLASTIC PVMT. MARKING 12", DIAGONALS, YELLOW (TYP.)
- ⑨ PROP. THERMOPLASTIC PVMT. MARKING 24", STOP BAR, WHITE (TYP.)



NOTE: THE CONTRACTOR SHALL SEAL THE EXISTING DECK, SIDEWALK AND PARAPET WITH CONCRETE SEALER

THE CONTRACTOR SHALL CLEAN THE DECK PRIOR TO THE APPLICATION OF THE CONCRETE SEALER TO THE SATISFACTION OF THE ENGINEER.

COST OF CLEANING IS INCLUDED IN THE COST OF CONCRETE SEALER.

SEE BRIDGE PLAN SHEET #27

FILE NAME =	USER NAME = mdy.je	DESIGNED -	REVISED -	STATE OF ILLINOIS DEPARTMENT OF TRANSPORTATION	ILL 171 ROADWAY AND PAVEMENT MARKING PLAN				F.A.P. RTE. 577	SECTION D-RS-7	COUNTY WILL	TOTAL SHEETS 38	SHEET NO. 12
ct:\pw_work\pwsdot\mdy.je\0248692\013301-sht-plan.dgn		DRAWN -	REVISED -		SCALE:	SHEET NO.	OF SHEETS	STA.	TO STA.	CONTRACT NO. 60N60			
PLOT SCALE = 50.0000' / IN.		CHECKED -	REVISED -		ILLINOIS FED. AID PROJECT								
PLOT DATE = 3/29/2011		DATE -	REVISED -										