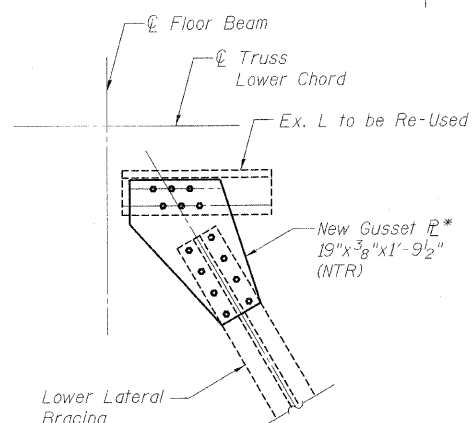


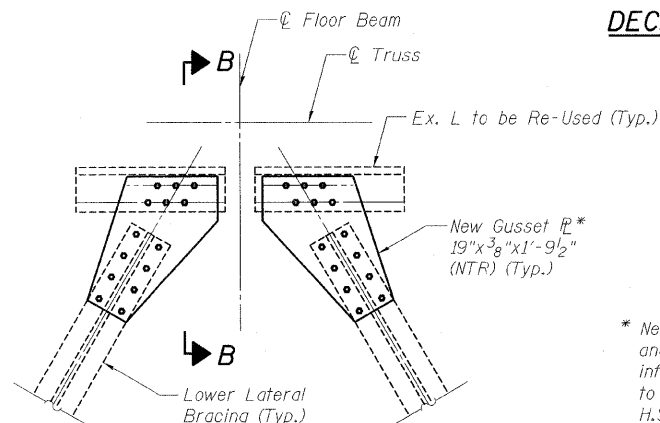
10 Panels at 23'-0" = 230'-0"

DECK FRAMING PLAN



TOP GUSSET PLATE DETAIL

(At End Panel Point)
(1 Required)



TOP GUSSET PLATE DETAIL

(At Intermediate Panel Point)
(8 Required)

* New 3/8" gusset plates to match existing plates in shape, size and hole locations. Existing plate dimensions are shown for information only. Contractor must verify dimensions in field prior to ordering materials. Number and spacing for proposed 7/8" H.S. bolts shall match existing holes. Contractor shall use existing plates for a template. See Table of Bottom Lateral Bracing Gusset Plate Replacement.

Legend:

◻ Denotes Gusset Plate Replacement

Notes:

Conduits located throughout underside of deck. Contractor shall exercise extreme care with existing conduits to protect and support the conduits. Broken clips shall be replaced. Cost is included in Structural Steel Repair. The Contractor will be required to repair any damage done to the conduit to the satisfaction of the Engineer. No splicing will be allowed to any cable damage resulting from this work. Instead the Contractor will be required to repair the entire span of any damaged cable at no additional cost to the Department.

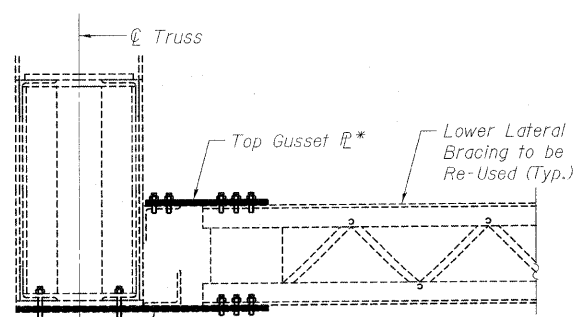
All work on this sheet, including removal of all welds, drilling of holes and furnishing and erecting bolts and washers is included with Structural Steel Repair.

The Resident Engineer may add gusset plate removal and replacement quantity in the field if necessary.

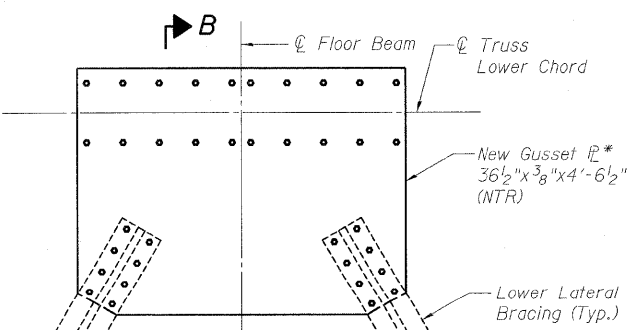
Temporary Support of the existing lateral bracing members during replacement of bottom lateral gusset plate is required. Cost included with Structural Steel Repair.

Gusset plate replacements shall be performed in only one location at a time.

"NTR" denotes members to which Supplemental Requirements for Notch Toughness, Zone 2 are applicable.



SECTION B-B



BOTTOM GUSSET PLATE DETAIL

(At Intermediate Panel Point)
(8 Required)

LOWER LATERAL BRACING - GUSSET PLATE DETAILS

TABLE OF BOTTOM LATERAL BRACING GUSSET PLATE REPLACEMENT

PANEL/LOCATION	GUSSET PL TOP	GUSSET PL BOTTOM
L2/West		X
L3/East	X (North)	
L4/West	X (South)	
L5/East		X
L7/East	X (North)	
L7/West		X
L8/West		X
L9/West	X (North)	X
L10/West	X (South)	X

BILL OF MATERIAL

ITEM	UNIT	QUANTITY
Structural Steel Repair	Pound	4280

FILE NAME =	USER NAME =	DESIGNED - AMS	REVISD -	STATE OF ILLINOIS DEPARTMENT OF TRANSPORTATION	DECK FRAMING REHABILITATION STRUCTURE NO. 016-0193 SHEET NO. 55 OF 58 SHEETS	F.A.J. RTE.	SECTION	COUNTY	TOTAL SHEETS	SHEET NO.
		CHECKED - JMH	REVISD -			3730	KIB&C2-BR-1	COOK	16	8
		DRAWN - DR	REVISD -			CONTRACT NO. 60M84				
		CHECKED - JMH	REVISD -			ILLINOIS FED. AID PROJECT				