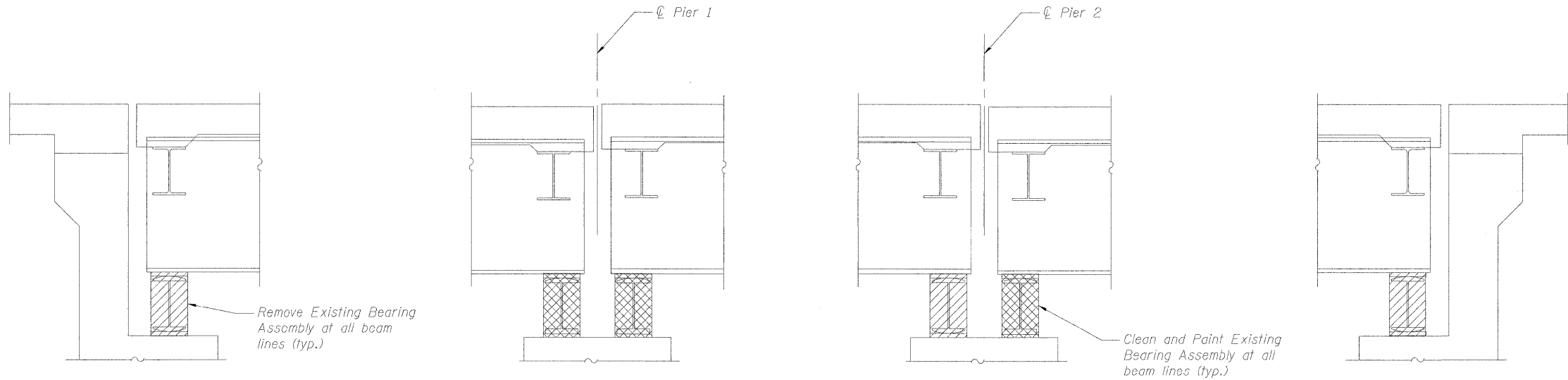


j:\2009\246 IDOT PTB 153 Hem 2\Cadd\Design\045-0008\045-0008.dgn 8:32:03 AM 3/25/2011



EXISTING WEST ABUTMENT

EXISTING PIER 1

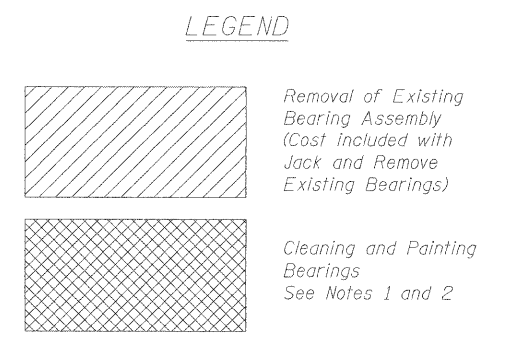
EXISTING PIER 2

EXISTING EAST ABUTMENT

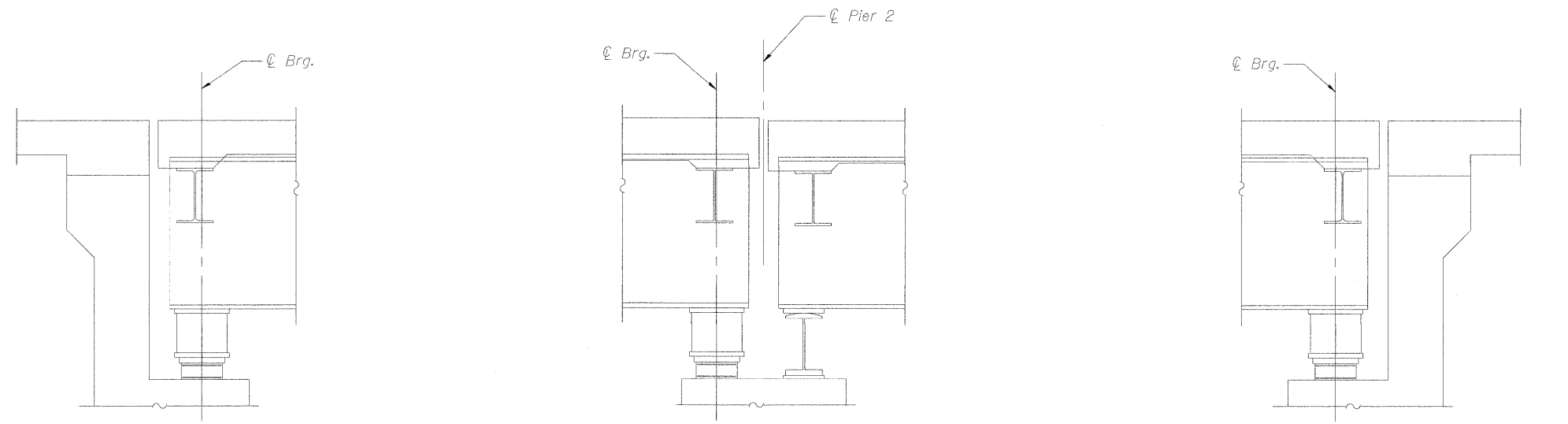
EXISTING BEARINGS

BILL OF MATERIAL

Item	Unit	Total
Cleaning and Painting Bearings	Each	15
Jack and Remove Exist. Bearings	Each	15



Notes:
 1. Cleaning shall be performed using vacuum power tools per SSPC-SP3 except as modified by the Special Provisions.
 2. Painting shall utilize System 1-OZ/E/U. Finish coat shall be Interstate Green, Munsell No. 7.5G 4/8.

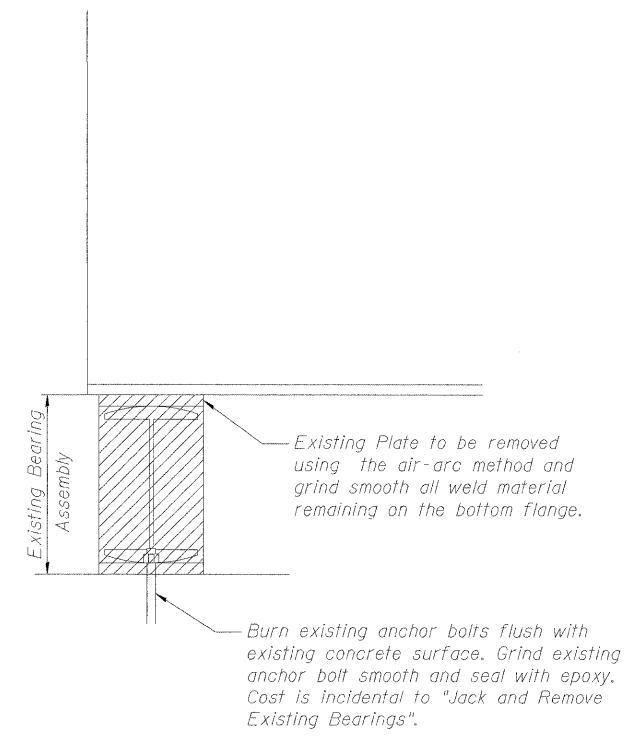


WEST ABUTMENT

PIER 2

EAST ABUTMENT

NEW BEARING REPLACEMENT



EXISTING BEARING REMOVAL DETAIL

For details of elastomeric bearings and fabricated steel extension, see Sheet No. 8.

ABNA
 DESIGN FIRM REG. 184.002117
 9901 S. Western Ave.
 Chicago, IL 60643
 Ph. 773-881-4788
 F: 773.239.3728

DESIGNED - TBS	REVISED -
CHECKED - RJL	REVISED -
DRAWN - JJE	REVISED -
CHECKED - TBS	REVISED -

**STATE OF ILLINOIS
 DEPARTMENT OF TRANSPORTATION**

BEARING DETAILS

SHEET NO. 7 OF 8 SHEETS

F.A.U. RTE.	SECTION	COUNTY	TOTAL SHEETS	SHEET NO.
426	8R-HR-1(82)	KANE	124	107
STA. TO STA.	CONTRACT NO. 60M46			
FED. ROAD DIST. NO.	ILLINOIS FED. AID PROJECT			