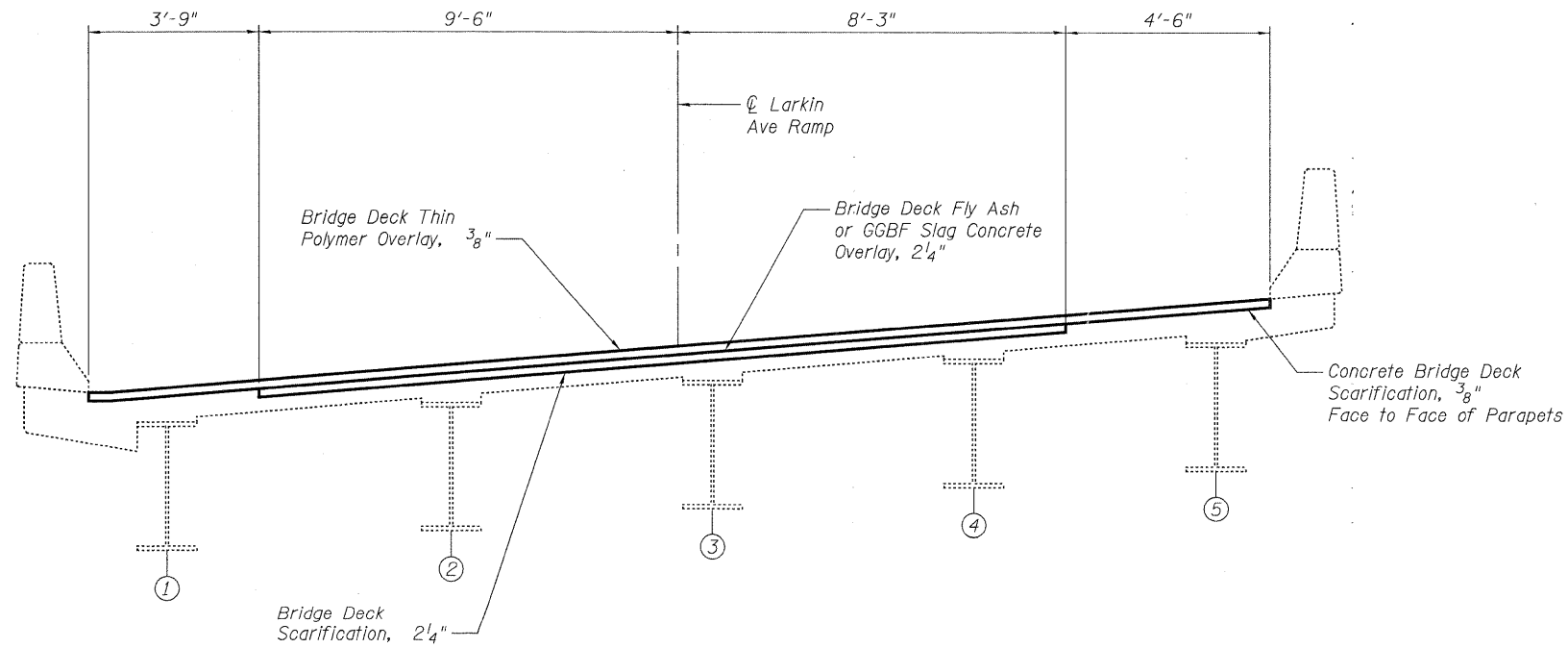


EXISTING



PROPOSED

NOTES

1. The complete removal of the existing concrete overlay and surface cleaning and preparation shall be completely covered in the cost of Concrete Bridge Deck Scarification $\frac{3}{8}$ " or Bridge Deck Scarification $2\frac{1}{4}$ "



9901 S. Western Ave.
Chicago, IL 60643
Ph. 773-881-4788
F: 773.239.3728

DESIGNED - TBS
CHECKED - RJL
DRAWN - JJE
CHECKED - TBS

REVISED -
REVISED -
REVISED -
REVISED -

**STATE OF ILLINOIS
DEPARTMENT OF TRANSPORTATION**

TYPICAL SECTIONS

SHEET NO. 2 OF 8 SHEETS

F.A.U. RTE.	SECTION	COUNTY	TOTAL SHEETS	SHEET NO.
426	BR-HR-1(82)	KANE	124	102
STA. TO STA.		CONTRACT NO. 60M46		
FED. ROAD DIST. NO.		ILLINOIS FED. AID PROJECT		