

ROUTE	SECTION	COUNTY	TOTAL SHEETS	SHEET NUMBER
FAU 2697 FAP 607	2010-055 BP	COOK AND WILL	20	3

CONTRACT NO. 60L30

GENERAL NOTES FOR PAINT

CLEANING AND PAINTING OF THE EXISTING STRUCTURAL STEEL SHALL BE AS SPECIFIED IN THE SPECIAL PROVISION FOR "CLEANING AND PAINTING EXISTING STEEL STRUCTURES".

A MINIMUM OF THREE (3) AT LOCATION 1 (SN 016-0540), AND FOUR (4) AT LOCATION 2 (SN 099-0105) AIR MONITORS WILL BE REQUIRED TO MONITOR ABRASIVE BLASTING OPERATIONS FOR ALL STRUCTURES. SEE SPECIAL PROVISION FOR "CONTAINMENT AND DISPOSAL OF LEAD PAINT CLEANING RESIDUE."

THE AREAS DESIGNATED TO BE CLEANED PER NEAR WHITE BLAST CLEANING SSPC-SP10 SHALL BE PAINTED ACCORDING TO THE REQUIREMENTS OF PAINT SYSTEM 1 - OZ/E/U. THE COLOR OF THE FINAL FINISH COAT FOR ALL INTERIOR STEEL SURFACES SHALL BE GRAY, MUNSELL NO. 5B 7/1. AT LOCATION 1 (SN 016-0540), THE COLOR OF THE FINAL FINISH COAT FOR THE EXTERIOR AND BOTTOM FLANGE OF THE BEAMS SHALL BE INTERSTATE GREEN, MUNSELL NO. 7.5G 4/8. AT LOCATION 2 (SN 099-0105) THE COLOR OF THE FINAL FINISH COAT FOR THE EXTERIOR AND BOTTOM FLANGE OF THE BEAMS SHALL BE REDDISH BROWN, MUNSELL NO. 2.5YR 3/4.

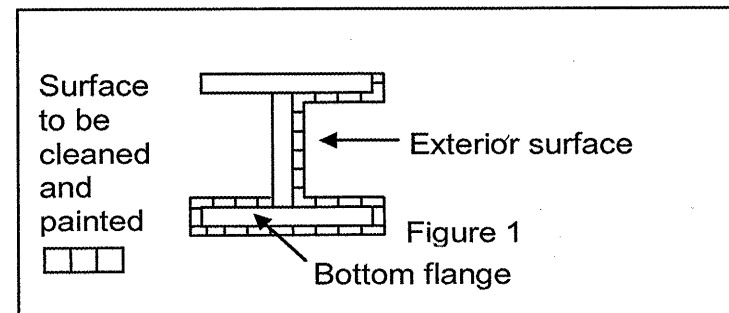
ALL ITEMS (SUCH AS, BUT NOT LIMITED TO: CONDUITS, BRACKETS AND DECK DRAINS) ATTACHED TO THE OUTSIDE OF THE FASCIA BEAMS SHOULD BE CLEANED AND PAINTED.

FOR LOCATION NO. 1 (SN 016-0540)

ALL BEAMS, BEARINGS AND OTHER STRUCTURAL STEEL WITHIN TEN (10) FT., (MEASURED ALONG THE BEAM) OF EITHER SIDE OF ALL DECK JOINTS, SHALL BE CLEANED PER NEAR WHITE BLAST CLEANING SSPC-SP10.

FOR LOCATION NO. 2 (SN 099-0105)

ALL BEAMS, BEARINGS AND OTHER STRUCTURAL STEEL WITHIN FIVE (5) FT., (MEASURED ALONG THE BEAM) OF EITHER SIDE OF ALL DECK JOINTS, SHALL BE CLEANED PER NEAR WHITE BLAST CLEANING SSPC-SP10. THE EXTERIOR SURFACES AND TOP AND BOTTOM OF THE BOTTOM FLANGE OF THE FASCIA BEAMS (SEE FIGURE 1) SHALL BE CLEANED PER NEAR WHITE BLAST CLEANING SSPC-SP10.



FASCIA BEAM PAINTING DETAIL

FIGURE 1

ILLINOIS DEPARTMENT OF TRANSPORTATION

GENERAL PAINT NOTES