

STATE OF ILLINOIS

DEPARTMENT OF TRANSPORTATION
PLANS FOR PROPOSED
FEDERAL AID HIGHWAY

FAU ROUTE 2511 (PRAIRIE STREET)
PINE STREET TO WILSON STREET
INTERSECTION IMPROVEMENTS
SECTION NO: 16-00086-01-FP
PROJECT NO: LFSH(938)
CITY OF BATAVIA
KANE COUNTY
C-91-180-20

FAU RTE	SECTION	COUNTY	TOTAL SHEETS	SHEET NO.
2511	16 00086-01-FP	KANE	169	1
		ILLINOIS	CONTRACT NO. 61J35	

DESIGN DESIGNATION

PRAIRIE STREET: MAJOR COLLECTOR
WILSON STREET: MINOR ARTERIAL

TRAFFIC DATA

PRAIRIE STREET:

ADT:
7,190 (2019)
10,900 (2040)

SPEED LIMIT:
POSTED - 30 MPH
DESIGN - 30 MPH

COMPOSITION:
P.V. - 98%
S.U. - 2%

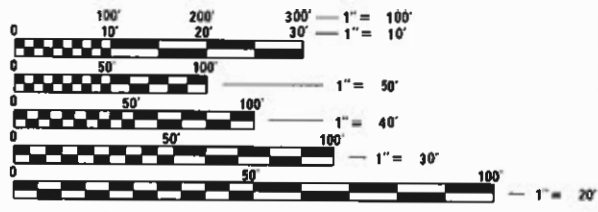
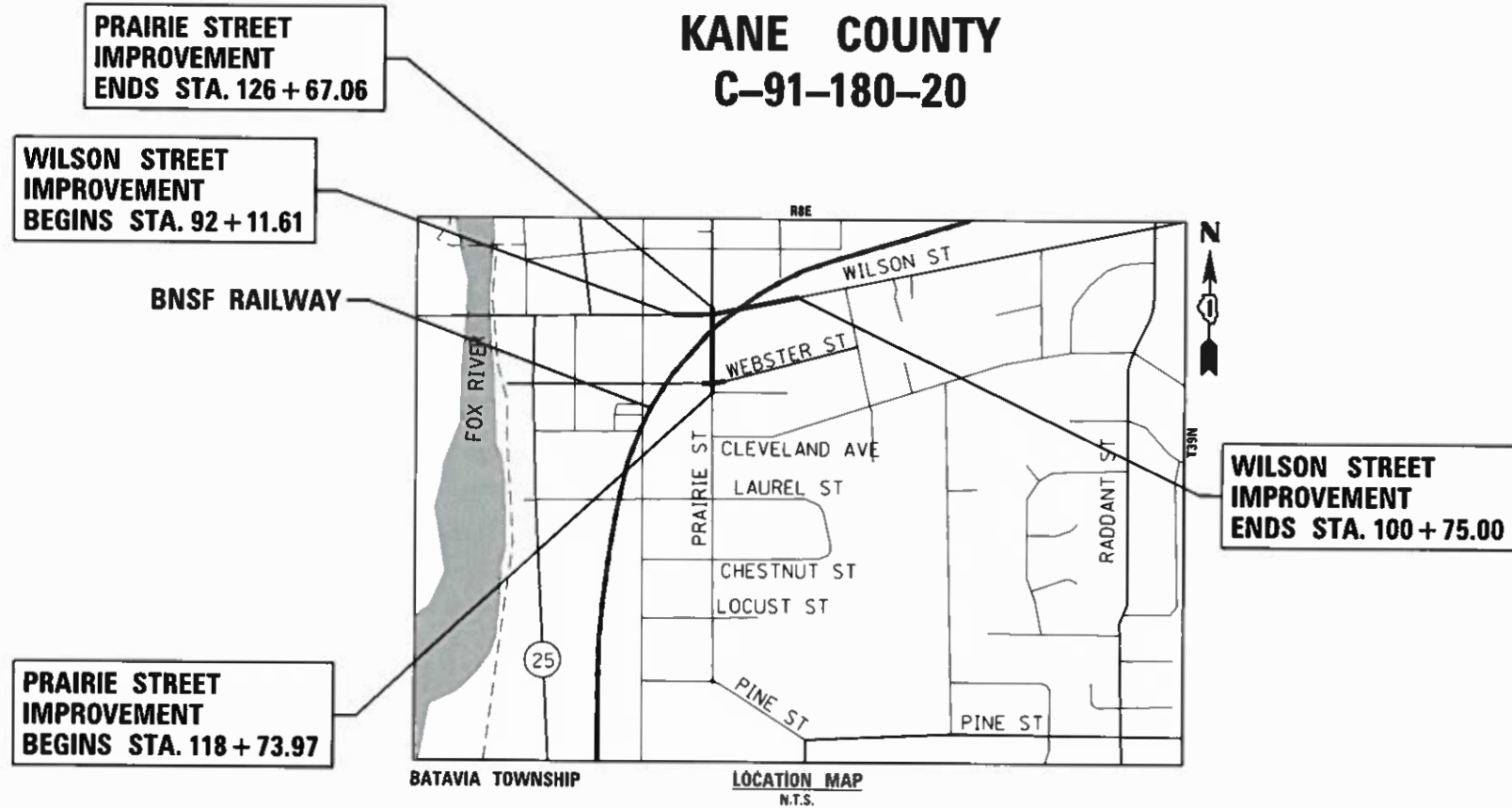
TRAFFIC DATA

WILSON STREET

ADT:
12,360 (2019)
16,400 (2040)

SPEED LIMIT:
POSTED - 30 MPH
DESIGN - 30 MPH

COMPOSITION:
P.V. - 98%
S.U. - 2%



FULL SIZE PLANS HAVE BEEN PREPARED USING STANDARD ENGINEERING SCALES. REDUCED SIZED PLANS WILL NOT CONFORM TO STANDARD SCALES. IN MAKING MEASUREMENTS ON REDUCED PLANS, THE ABOVE SCALES MAY BE USED.

J.U.L.I.E.
JOINT UTILITY LOCATION INFORMATION FOR EXCAVATORS
1-800-892-0123
OR 811

CONTRACT NO. 61J35



LOCATION OF SECTION INDICATED THUS: - [shaded area] -

STATE OF ILLINOIS
DEPARTMENT OF TRANSPORTATION

APPROVED 01/10/2023
Paul Barr, City Engineer
CITY OF BATAVIA

PASSED March 1, 2023
[Signature]
DISTRICT ONE ENGINEER OF LOCAL ROADS AND STREETS

RELEASING FOR BID
BASED ON LIMITED REVIEW March 1, 2023
[Signature]
REGIONAL ENGINEER

PRINTED BY THE AUTHORITY
OF THE STATE OF ILLINOIS

JESSE L. VUORENMAA, P.E.
NO. 062-061773
EXP. DATE 11/30/23

GAURAV RAJ, P.E.
NO. 062-065565
EXP. DATE 11/30/23

TRANSYSTEMS
1475 WOODFIELD ROAD #600
SCHAUMBURG, IL 60173
(847) 605-9600
FEDERAL AID PROGRAM ENGINEER: CARMEN E. RAMOS, P.E. SCHAUMBURG, IL

INDEX OF SHEETS

1	COVER SHEET
2	INDEX OF SHEETS AND HIGHWAY STANDARDS
3	GENERAL NOTES
4-18	SUMMARY OF QUANTITIES
19	EARTHWORK SUMMARY AND GENERAL NOTES
20-23	TYPICAL SECTIONS
24	ALIGNMENT, TIES, AND BENCHMARKS
25-26	REMOVAL PLANS
27-30	PLAN AND PROFILE
31	MAINTENANCE OF TRAFFIC NOTES
32-33	MAINTENANCE OF TRAFFIC DETOUR PLAN
34-39	MAINTENANCE OF TRAFFIC TYPICAL SECTIONS
40	MAINTENANCE OF TRAFFIC YEAR 1 CONSTRUCTION WORK
41-44	MAINTENANCE OF TRAFFIC PLANS - STAGE 1, SEASON 1
45-48	MAINTENANCE OF TRAFFIC PLANS - STAGE 1, SEASON 2
49-53	MAINTENANCE OF TRAFFIC PLANS - STAGE 2, SEASON 2
53-59	EROSION CONTROL PLANS
60-63	DRAINAGE AND UTILITY PLAN AND PROFILE
64-68	WATERMAIN PLAN AND PROFILE
69-72	PLAT OF HIGHWAYS
73	INTERSECTION PAVING DETAILS
74-79	ADA RAMP DETAILS
80-82	DRIVEWAY AND SIDEWALK DETAILS
83-86	PAVEMENT MARKING, SIGNING
87-90	RESTORATION PLAN
91-111	TRAFFIC SIGNALS
112-120	STREET LIGHTING PLANS
121-138	IDOT DISTRICT 1 STANDARD DETAILS
139-154	CITY OF BATAVIA STANDARD DETAILS
155-159	CROSS SECTIONS - PRAIRIE STREET
160-169	CROSS SECTIONS - WILSON STREET

CITY OF BATAVIA STANDARDS

STD. NO.	DESCRIPTION
4.01	INLET TYPE A
4.02	STORM SEWER MANHOLE-TYPE "A" OR TYPE "B"
4.05	STORM MANHOLE LID DETAIL
4.06	CATCH BASIN-TYPE "A" OR TYPE "B"
4.10	SUMP PUMP CONNECTION
4.13	INLET FILTER
4.14	INLET FILTER MAINTENANCE
5.02	EXTERNAL CHIMNEY SEAL DETAIL
5.04	SANITARY MANHOLE LID DETAIL
5.08	UTILITY TRENCH SECTION
6.01	WATER VALVE VAULT
6.02	WATER SERVICE DETAIL
6.03	FIRE HYDRANT ASSEMBLY
6.04	WATER MANHOLE LID
6.05	WATER AND SEWER SEPARATION
6.06	WATER MAIN CROSSING
6.08	CASING PIPE DETAIL
6.09	WATER MAIN RESTRAINT
6.10	WATER MAIN THRUST BLOCK
6.11	WATER SEWER SEPARATION
6.12	WATER SERVICE ABANDONMENT DETAIL
7.03	B6.12 BARRIER CURB & GUTTER AT INLETS
7.04	B6.12 BARRIER CURB & GUTTER
7.06	TYPE B BARRIER CURB
7.08	SIDEWALK
7.09	SIDEWALK CONSTRUCTION
7.10	CURB RAMPS
7.11	CROSSWALK
7.13	TYPICAL PAVEMENT DETAILS
7.15	UTILITY TRENCH HMA PAVING SECTION
7.16	TYPICAL COMMERCIAL DRIVEWAY
7.17	TYPICAL RESIDENTIAL DRIVEWAY

DISTRICT ONE DETAILS

STD. NO.	DESCRIPTION
BD-01	DRIVEWAY DETAILS - DISTANCE BETWEEN R.O.W. AND FACE OF CURB & EDGE OF SHOULDER >= 15' (4.5 m)
BD-02	DRIVEWAY DETAILS - DISTANCE BETWEEN R.O.W. AND FACE OF CURB < 15' (4.5 m)
BD-07	DETAIL OF STORM SEWER CONNECTION TO EXISTING SEWER
BD-08	FRAMES AND LIDS ADJUSTMENT WITH MILLING
BD-22	PAVEMENT PATCHING FOR HMA SURFACED PAVEMENT
BD-24	CURB OR CURB AND GUTTER REMOVAL AND REPLACEMENT
BD-32	BUTT JOINT AND HMA TAPER DETAILS
BD-36	FIRE HYDRANT TO BE MOVED
BD-56	PCC PAVEMENT AND PCC BASE COURSE ADJACENT TO RAILROAD GRADE CROSSING
BE-220	ELECTRIC SERVICE INSTALLATION AERIAL, REMOTE DISCONNECT
BE-240	COMBINATION LIGHTING, TRAFFIC SIGNAL SCHEMATIC
BE-300	LIGHT POLE FOUNDATION 30' (9.144 m) TO 35' (10.668 m) M.H. 11 1/2" (292 mm) BOLT CIRCLE
BE-702	MISCELLANEOUS ELECTRICAL DETAILS, SHEET A
BE-800	TEMPORARY LIGHTING POLE DETAILS
BE-801	TEMPORARY LIGHTING INSTALLATION
TC-10	TRAFFIC CONTROL AND PROTECTION FOR SIDE ROADS, INTERSECTIONS, AND DRIVEWAYS
TC-13	DISTRICT ONE TYPICAL PAVEMENT MARKINGS
TC-14	TRAFFIC CONTROL AND PROTECTION AT TURN BAYS (TO REMAIN OPEN TO TRAFFIC)
TC-16	SHORT TERM PAVEMENT MARKING LETTERS AND SYMBOLS
TC-22	ARTERIAL ROAD INFORMATION SIGN
TC-23	TYPICAL SUPPLEMENTAL SIGNING AND PAVEMENT MARKING TREATMENT FOR RAILROAD CROSSINGS
TC-26	DRIVEWAY ENTRANCE SIGNING
TC-28	RAILROAD CROSSING REPAIR DETOUR SIGNING
TS-02	DISTRICT ONE MAST ARM MOUNTED STREET NAME SIGNS
TS-05	DISTRICT ONE STANDARD TRAFFIC SIGNAL DESIGN DETAILS
TS-06	RAILROAD CANTILEVER SIGNAL HEAD MOUNTING DETAIL
TS-07	DISTRICT ONE - DETECTOR LOOP INSTALLATION DETAILS FOR ROADWAY RESURFACING

IDOT HIGHWAY STANDARDS

STD. NO.	DESCRIPTION
000001-08	STANDARD SYMBOLS, ABBREVIATIONS AND PATTERNS
001001-02	AREAS OF REINFORCEMENT BARS
001006	DECIMAL OF AN INCH AND OF A FOOT
280001-07	TEMPORARY EROSION CONTROL SYSTEMS
353001-05	PCC BASE COURSE WITH HMA BINDER AND SURFACE COURSES
420001-10	PAVEMENT JOINTS
424001-11	PERPENDICULAR CURB RAMPS FOR SIDEWALKS
424006-05	DIAGONAL CURB RAMPS FOR SIDEWALKS
424011-04	CORNER PARALLEL CURB RAMPS FOR SIDEWALKS
424021-06	DEPRESSED CORNER FOR SIDEWALKS
424026-03	ENTRANCE / ALLEY PEDESTRIAN CROSSINGS
442201-03	CLASS C AND D PATCHES
601001-05	PIPE UNDERDRAINS
602001-02	CATCH BASIN TYPE A
602011-02	CATCH BASIN TYPE C
602301-04	INLET - TYPE A
602306-03	INLET - TYPE B
602401-07	PRECAST MANHOLE, TYPE A, 4' (1.22 m) DIAMETER
602402-03	PRECAST MANHOLE, TYPE A, 5' (1.52 m) DIAMETER
602506-03	PRECAST VALVE VAULT TYPE A 5' (1.22 m) DIAMETER
602601-06	PRECAST REINFORCED CONCRETE FLAT SLAB TOP
602701-02	MANHOLE STEPS
604001-05	FRAME AND LIDS TYPE 1
604006-05	FRAME AND GRATE TYPE 3
604036-03	FRAME AND GRATE TYPE 8
604051-04	FRAME AND GRATE TYPE 11
604086-05	FRAME AND GRATE TYPE 23
606001-08	CONCRETE CURB TYPE B AND COMBINATION CONCRETE CURB AND GUTTER
701001-02	OFF-RD OPERATIONS, 2L, 2W, MORE THAN 15' (4.5m) AWAY
701006-05	OFF-RD OPERATIONS, 2L, 2W, 15' (4.5m) TO 24" (600 mm) FROM PAVEMENT EDGE
701011-04	OFF-RD MOVING OPERATIONS, 2L, 2W, DAY ONLY
701301-04	LANE CLOSURE, 2L, 2W SHORT TIME OPERATIONS
701311-03	LANE CLOSURE, 2L, 2W MOVING OPERATIONS-DAY ONLY
701501-06	URBAN LANE CLOSURE, 2L, 2W, UNDIVIDED
701701-10	URBAN LANE CLOSURE, MULTILANE INTERSECTION
701801-06	SIDEWALK, CORNER OR CROSSWALK CLOSURE
701901-08	TRAFFIC CONTROL DEVICES
704001-08	TEMPORARY CONCRETE BARRIER
720001-01	SIGN PANEL MOUNTING DETAILS
720006-04	SIGN PANEL ERECTION DETAILS
720016-04	MAST ARM MOUNTED STREET NAME SIGNS
728001-01	TELESCOPING STEEL SIGN SUPPORT
780001-05	TYPICAL PAVEMENT MARKINGS
782006-01	GUARDRAIL AND BARRIER WALL REFLECTOR MOUNTING DETAILS
805001-01	ELECTRICAL SERVICE INSTALLATION DETAILS
812001-01	RACEWAY EMBEDDED IN STRUCTURE
814001-03	HANDHOLES
814006-03	DOUBLE HANDHOLES
857001-01	STANDARD PHASE DESIGNATION DIAGRAMS AND PHASE SEQUENCES
857006-01	SUPERVISED RAILROAD INTERCONNECT CIRCUIT
862001-01	UNINTERRUPTABLE POWER SUPPLY (UPS)
873001-02	TRAFFIC SIGNAL GROUNDING & BONDING
876001-04	PEDESTRIAN PUSH BUTTON POST
877001-08	STEEL MAST ARM ASSEMBLY AND POLE 16' THROUGH 55'
877002-04	STEEL MAST ARM ASSEMBLY AND POLE 56' THROUGH 75'
877006-06	STEEL MAST ARM ASSEMBLY AND POLE WITH DUAL MAST ARMS
877011-10	STEEL COMBINATION MAST ARM ASSEMBLY AND POLE 16' THROUGH 55'
877012-07	STEEL COMBINATION MAST ARM ASSEMBLY AND POLE 56' THROUGH 75'
878001-11	CONCRETE FOUNDATION DETAILS
880006-01	TRAFFIC SIGNAL MOUNTING DETAILS
886001-01	DETECTOR LOOP INSTALLATIONS
886006-01	TYPICAL LAYOUT FOR DETECTION LOOPS

FILE NAME = 200002-sht-Index-01.dgn	USER NAME = sbpottorff	DESIGNED -	REVISED -
		DRAWN -	REVISED -
Model	PLOT SCALE = 100.0006' / in.	CHECKED -	REVISED -
	PLOT DATE = 5/4/2023	DATE -	REVISED -

F.A.U. RTE.	SECTION	COUNTY	TOTAL SHEETS	SHEET NO.
2511	16-00086-01-FP	KANE	169	2
CONTRACT NO. 61J35				
ILLINOIS		FED. AID PROJECT		

GENERAL NOTES

- ALL REFERENCES TO "STANDARD SPECIFICATIONS" IN THESE GENERAL NOTES SHALL BE INTERPRETED TO MEAN "STANDARD SPECIFICATIONS FOR ROAD AND BRIDGE CONSTRUCTION" ADOPTED BY THE ILLINOIS DEPARTMENT OF TRANSPORTATION, JANUARY 1, 2022.
- PRIOR TO COMMENCEMENT OF CONSTRUCTION, THE CONTRACTOR SHALL VERIFY ALL DIMENSIONS AND CONDITIONS AFFECTING THEIR WORK WITH THE ACTUAL CONDITIONS AT THE JOB SITE. THE CONTRACTOR MUST VERIFY THE ENGINEER'S LINE AND GRADE STAKES. IF THERE ARE DISCREPANCIES FROM WHAT IS SHOWN ON THE CONSTRUCTION PLANS, HE MUST IMMEDIATELY REPORT SAME TO THE ENGINEER BEFORE DOING ANY WORK, OTHERWISE THE CONTRACTOR ASSUMES FULL RESPONSIBILITY. IN THE EVENT OF DISAGREEMENT BETWEEN THE CONSTRUCTION PLANS, STANDARD SPECIFICATIONS AND/OR SPECIAL DETAILS, THE CONTRACTOR SHALL SECURE WRITTEN INSTRUCTIONS FROM THE ENGINEER PRIOR TO PROCEEDING WITH ANY PART OF THE WORK AFFECTED BY OMISSIONS OR DISCREPANCIES. FAILING TO SECURE SUCH INSTRUCTIONS, THE CONTRACTOR WILL BE CONSIDERED TO HAVE PROCEEDED AT HIS/HER OWN RISK. IN THE EVENT OF ANY DOUBT OR QUESTION ARISING WITH RESPECT TO THE TRUE MEANING OF THE CONSTRUCTION PLANS OR SPECIFICATIONS, THE DECISION OF THE ENGINEER SHALL BE FINAL AND CONCLUSIVE.
- IT IS THE CONTRACTOR'S RESPONSIBILITY TO ASCERTAIN EXISTING FIELD CONDITIONS PRIOR TO BIDDING ON THE PROJECT.
- BEFORE STARTING ANY EXCAVATION, THE CONTRACTOR SHALL CALL "JULIE" (JOINT UTILITY LOCATION INFORMATION FOR EXCAVATION) AT 8-1-1, THE CITY OF BATAVIA AT 630-454-2750. FIVE (5) DAYS PRIOR TO EXCAVATION FOR FIELD LOCATIONS OF BURIED UTILITIES.
- OFFSET LOCATIONS GIVEN IN THE PLANS ARE FROM THE ROADWAY CENTERLINE.
- THE CONTRACTOR SHALL BE RESPONSIBLE FOR CONTACTING THE OWNERS OF ALL UTILITIES PRIOR TO CONSTRUCTION TO DETERMINE THE LOCATION OF ALL UTILITY EQUIPMENT. THE CONTRACTOR SHALL COOPERATE WITH ALL UTILITY OWNERS IN ACCORDANCE WITH THE STANDARD SPECIFICATIONS IF UTILITY RELOCATION, ADJUSTMENT, OR PROTECTION IS NECESSARY.
- THE LOCATION OF EXISTING UNDERGROUND DRAINAGE STRUCTURES, STORM SEWERS, WATER MAINS, SANITARY SEWERS, AND OTHER PUBLIC UTILITIES AS SHOWN ON THE PLANS IS APPROXIMATE AND THEIR EXACT LOCATION IS TO BE DETERMINED IN THE FIELD BY THE CONTRACTOR.
- THE CONTRACTOR SHALL BE RESPONSIBLE FOR THE PROTECTION OF ALL UNDERGROUND AND SURFACE UTILITIES EVEN THOUGH THEY MIGHT NOT BE SHOWN ON THE PLANS. ALL UTILITY PROPERTY DAMAGED DURING CONSTRUCTION SHALL BE REPAIRED OR REPLACED TO THE SATISFACTION OF THE ENGINEER IN ACCORDANCE WITH ARTICLES 105.07 AND 107.20 OF THE STANDARD SPECIFICATIONS.
- ALL UTILITY COMPANIES SHALL BE NOTIFIED AT LEAST 5 DAYS PRIOR TO THE START OF CONSTRUCTION.
- THE CONTRACTOR SHALL USE NECESSARY PRECAUTIONS AND PROTECTION MEASURES REQUIRED TO MAINTAIN EXISTING UTILITIES, SEWERS, AND APPURTENANCES THAT MUST BE KEPT IN OPERATION.
- THE CONTRACTOR SHALL VERIFY THAT ALL WATER SYSTEM VALVES, VALVE VAULTS, FIRE HYDRANTS AND SANITARY SEWER MANHOLES REMAIN READILY ACCESSIBLE FOR EMERGENCY OPERATIONS. THE LOCATIONS OF ALL WATER AND SANITARY FACILITIES SHALL BE MARKED AND READILY VISIBLE AT ALL TIMES.
- ALL LOOSE MATERIAL FROM CONSTRUCTION ACTIVITIES DEPOSITED IN THE FLOWLINE OF DRAINAGE STRUCTURES, WHICH OBSTRUCTS THE NATURAL FLOW OF WATER SHALL BE REMOVED AT THE CLOSE OF EACH WORKING DAY. PRIOR TO ACCEPTANCE OF THE IMPROVEMENT, ALL DRAINAGE STRUCTURES SHALL BE FREE OF DIRT AND DEBRIS.
- ALL WORK SHALL BE COMPLETED WITHIN THE LIMITS OF THE PROJECT SHOWN. THE FIELD OFFICE SHALL NOT BE SET UP OR STORED ON CITY OR PRIVATE PROPERTY WITHOUT WRITTEN PERMISSION OF THE ENGINEER.
- MAINTENANCE OF TRAFFIC - GENERAL: TRAFFIC CONDITIONS, ACCIDENTS AND OTHER UNFORESEEN EMERGENCY CONDITIONS MAY REQUIRE THE ENGINEER TO RESTRICT, MODIFY OR REMOVE LANE CLOSURES OR CHANNELIZATION SHOWN IN THE PLANS. THE CONTRACTOR SHALL RESPOND WITHIN 30 MINUTES OF THE TIME OF NOTIFICATION BY THE ENGINEER FOR THE MAINTENANCE OF TRAFFIC CONTROL DEVICES.
- TRAFFIC CONTROL DEVICES: ALL TRAFFIC CONTROL DEVICES USED FOR THE MAINTENANCE OF TRAFFIC AS DETAILED ON THE PLANS SHALL BE REFLECTORIZED PRIOR TO INSTALLATION AND CLEANED AS NECESSARY THROUGHOUT THE DURATION OF THE CONTRACT OR AS DIRECTED BY THE ENGINEER.

REMOVALS NOTES

- SAW CUTS SHALL BE PROVIDED AT ALL LOCATIONS WHERE A SAW CUT IS REQUIRED FOR THE REMOVAL OF PAVEMENT, CURB, GUTTER, MEDIANS, DRIVEWAYS, SIDEWALK, BUTT JOINTS, PATCHES OR ANY OTHER STRUCTURE WHICH ARE ALL ONE PIECE WITH NO CONSTRUCTION JOINTS. THIS SAW CUT SHALL BE MADE AT THE LIMITS OF CONSTRUCTION OR OTHER AREAS AS REQUIRED TO PERFORM THE PROPOSED IMPROVEMENTS SHOWN ON THE PLANS. THE SAW CUT SHALL BE ACCOMPLISHED WITH A "PAVEMENT SAW". TRENCHERS WILL NOT BE ALLOWED FOR FINAL SAW CUT AT THE LIMITS OF CONSTRUCTION.
- WHEN REMOVING PAVEMENT, CURB AND GUTTER, SHOULDER, AND/OR ANY OTHER STRUCTURES, THE USE OF ANY TYPE OF CONCRETE BREAKERS WHICH MIGHT DAMAGE THE UNDERGROUND PUBLIC OR PRIVATE UTILITIES WILL NOT BE PERMITTED. UNDER NO CIRCUMSTANCES WILL THE USE OF A FROST BALL BE PERMITTED.
- TREE SIZES HAVE BEEN ADDED TO THE PLANS FOR INFORMATIONAL PURPOSES ONLY AND FOR THE BENEFIT OF THE CONTRACTOR AND TO AID IN THE BIDDING OF THE PROJECT. THE SIZES ARE BASED ON FIELD SURVEYS AND MEASUREMENTS COMPLETED IN 2018. THE TREE SIZES SHOWN ON THE PLANS HAVE BEEN ADJUSTED TO ACCOUNT FOR GROWTH SINCE THE COMPLETION OF THE SURVEYS. THE SURVEY DID NOT INCLUDE TREES OR SAPLINGS LESS THAN 6-INCHES IN DIAMETER. THE TREE SIZES SHOULD BE CONSIDERED AN ESTIMATE AND IT IS THE CONTRACTOR RESPONSIBILITY TO VISIT THE SITE AND MAKE THEIR OWN ASSESSMENT OF THE EFFORT REQUIRED TO COMPLETE THE WORK AS SHOWN ON THE PLANS.

SOIL NOTES

- ANY AGGREGATE SUBGRADE IMPROVEMENT CONTAMINATED AND/OR DAMAGED BY THE CONTRACTOR'S VEHICLES AND/OR EQUIPMENT IS TO BE REMOVED AND REPLACED AS DIRECT BY THE ENGINEER AT CONTRACTOR EXPENSE.
- PIPE UNDERDRAINS SHALL BE INSTALLED ACCORDING TO SECTION 601 OF THE SSRBC AND STANDARD 601001-05. TOP OF PIPE UNDERDRAINS SHALL BE PLACED MINIMUM 6" BELOW THE AGGREGATE SUBGRADE IMPROVEMENT LAYER. THE COST OF MAKING PIPE UNDERDRAINS CONNECTIONS TO DRAINAGE STRUCTURES SHALL BE INCLUDED IN THE COST OF THE PIPE UNDERDRAINS.
- BACKFILLING STORM SEWER CONSTRUCTED UNDER THE ROADWAY SPECIFIED UNDER ART. 550.07(b, c) OF THE SSRBC WILL NOT BE ALLOWED.

AGGREGATE GRADATION

- THE AGGREGATE GRADATION FOR AGGREGATE SUBGRADE IMPROVEMENT 12" LOWER LIFT SHALL BE CS 1 OR RR 1.

SURVEY DATUM

- THE HORIZONTAL DATUM IS NAD 83 AND THE VERTICAL DATUM IS NAVD 88. SEE ALIGNMENT, TIES AND BENCHMARK SHEETS.

CITY CONTACT

- THE CONTRACTOR SHALL COORDINATE ALL TRAFFIC CONTROL DETOURS AND STAGE CHANGES WITH THE CITY ENGINEERING DEPARTMENT AT 630-454-2750.

IDOT NOTIFICATION AND CONTACT

- THE CONTRACTOR SHALL CONTACT KALPANA KANNAN-HOSADURGA, THE DISTRICT ONE TRAFFIC CONTROL SUPERVISOR, AT KALPANA.KANNAN-HOSADURGA@ILLINOIS.GOV A MINIMUM OF 72 HOURS IN ADVANCE OF BEGINNING WORK.

RAILROAD FLAGGERS

- IT IS THE CONTRACTOR'S SOLE RESPONSIBILITY TO COORDINATE WITH THE BNSF RAILROAD WHENEVER CONSTRUCTION ACTIVITY IS WITHIN 25 FEET OF THE RAILROAD ROW. THE CONTRACTOR SHALL RETAIN FLAGMEN EMPLOYED AND DESIGNATED BY THE BNSF RAILROAD TO MONITOR ON-COMING TRAIN TRAFFIC, AND ADVISE CONTRACTOR PERSONNEL WHEN ACTIVITY ON OR NEAR THE RAILROAD RIGHT-OF-WAY MAY PROCEED. THIS ITEM WILL BE PAID FOR ACCORDING TO ARTICLE 107.12 AND WILL BE REIMBURSED ACCORDING TO ARTICLE 109.05.

CONTRACTORS STORAGE AND PARKING

- PRIOR TO STARTING ANY SITE ACTIVITIES THE CONTRACTOR WILL BE RESPONSIBLE TO VISIT THE SITE TO FAMILIARIZE HIMSELF WITH THESE SITE CONDITIONS. THE CONTRACTOR WILL NOT BE ALLOWED TO STORE MATERIALS OR USE PRIVATE PROPERTY FOR PARKING EQUIPMENT OR WORKER VEHICLES WITHOUT ENGINEER APPROVAL. THE CONTRACTOR WILL BE REQUIRED TO COORDINATE WITH THE ENGINEER HIS PLAN FOR HANDLING OF MATERIALS TO BE STORED ON SITE AND HIS WORKER AND EQUIPMENT PARKING. IT MAY BE NECESSARY TO ARRANGE FOR THIS SPACE OUTSIDE THE PROJECT LIMITS. THERE WILL BE NO ADDITIONAL COMPENSATIONS FOR THIS COORDINATION OR IF SPACE IS REQUIRED FOR STORAGE AND/OR PARKING OUTSIDE THE PROJECT LIMITS.

KANE-DUPAGE SOIL AND WATER CONSERVATION DISTRICT

- KANE-DUPAGE SOIL AND WATER CONSERVATION DISTRICT SHALL BE PROVIDED AN INVITATION TO THE PRE-CONSTRUCTION MEETING PRIOR TO EARTH DISTURBANCE.
- THE MEANS, METHODS, AND LOCATIONS FOR ANY DEWATERING SHOULD BE COORDINATED WITH KANE-DUPAGE SOIL AND WATER CONSERVATION DISTRICT. SEE EROSION CONTROL GENERAL NOTES AND DETAILS FOR ADDITIONAL INFORMATION.

PROJECT COMMITMENTS

- IN COMPLIANCE WITH DEPARTMENT POLICY D&E-18 THAT REQUIRES REPLACEMENT OF THE TREES ON A 1:1 RATIO, THE CITY OF BATAVIA WILL REPLACE TREES AS PART OF THEIR ANNUAL TREE PROGRAM WHERE, TWICE DURING THE YEAR, THE CITY AND ITS ARBORIST WORK WITH RESIDENTS AND OTHER PROJECTS THROUGHOUT THE CITY LIMITS TO PLANT TREES.
- FOR ADDRESS 302 WILSON STREET, THE CONTRACTOR WILL NOT BE ALLOWED TO USE THAT PROEPRTY AS A STAGING AND/OR STORAGE AREA FOR MATERIALS AND/OR EQUIPMENT DURING THE ENTIRE DURATION OF THE CONTRACT.

FILE NAME = 200002-sht-General Notes.01.dgn	USER NAME = sbpottorff	DESIGNED - DRAWN -	REVISED - REVISED -	STATE OF ILLINOIS DEPARTMENT OF TRANSPORTATION	PRAIRIE STREET AT WILSON STREET INTERSECTION IMPROVEMENTS GENERAL NOTES	F.A.U. RTE.	SECTION	COUNTY	TOTAL SHEETS	SHEET NO.	
Model1	PLOT SCALE = 100.0006 ' / in.	CHECKED -	REVISED -			2511	16-00086-01-FP	KANE	169	3	
PLOT DATE = 2/15/2023	DATE -	REVISED -	SCALE: NONE			SHEET 1 OF 1 SHEETS	STA.	TO STA.	CONTRACT NO. 61J35		
									ILLINOIS	FED. AID PROJECT	

SPLTY	SP	PAY CODE REF NO.	DESCRIPTION	UNIT	QUANTITY	CONSTRUCTION TYPE CODE			
						ROADWAY RECON 0004 URBAN	SAFETY 0021 URBAN	TRAINEES 0042 URBAN	MISCELLANEOUS URBAN 0043
**		20100110	TREE REMOVAL (6 TO 15 UNITS DIAMETER)	UNIT	32	32			
**		20100210	TREE REMOVAL (OVER 15 UNITS DIAMETER)	UNIT	50	50			
		20101000	TEMPORARY FENCE	FOOT	250	250			
**		20101100	TREE TRUNK PROTECTION	EACH	11	11			
**		20101200	TREE ROOT PRUNING	EACH	5	5			
		20200100	EARTH EXCAVATION	CU YD	2,032	2,032			
		20201200	REMOVAL AND DISPOSAL OF UNSUITABLE MATERIAL	CU YD	1,564	1,564			
		20800150	TRENCH BACKFILL	CU YD	636	182			454
		21001000	GEOTECHNICAL FABRIC FOR GROUND STABILIZATION	SQ YD	2,745	2,745			
		21101615	TOPSOIL FURNISH AND PLACE, 4"	SQ YD	1,898	1,898			
		21101645	TOPSOIL FURNISH AND PLACE, 12"	SQ YD	90	90			
**		25000400	NITROGEN FERTILIZER NUTRIENT	POUND	36	36			
**		25000500	PHOSPHORUS FERTILIZER NUTRIENT	POUND	36	36			
**		25000600	POTASSIUM FERTILIZER NUTRIENT	POUND	36	36			
**		25200110	SODDING, SALT TOLERANT	SQ YD	1,898	1,898			

FILE NAME = 200002-sh1-500.01.dgn	USER NAME = sbpottorff	DESIGNED - SBP	REVISED -
Default	PLOT SCALE = 100.0001' / in.	DRAWN - BMS	REVISED -
	PLOT DATE = 2/15/2023	CHECKED - JLV	REVISED +
		DATE - 2/15/2023	REVISED -

**STATE OF ILLINOIS
 DEPARTMENT OF TRANSPORTATION**

**PRAIRIE STREET AT WILSON STREET INTERSECTION IMPROVEMENTS
 SUMMARY OF QUANTITIES**

SCALE: NONE SHEET 1 OF 15 SHEETS STA. TO STA.

F.A.U. RTE. 2511	SECTION 16-00086-01-FP	COUNTY KANE	TOTAL SHEETS 169	SHEET NO. 4
CONTRACT NO. 61J35			ILLINOIS FED. AID PROJECT	

SPLTY	SP	PAY CODE REF NO.	DESCRIPTION	UNIT	QUANTITY	CONSTRUCTION TYPE CODE			
						STP 70% FEDERAL 30% LOCAL			NON-PARTICIPATING 100% LOCAL
						ROADWAY RECON 0004 URBAN	SAFETY 0021 URBAN	TRAINEES 0042 URBAN	MISCELLANEOUS URBAN 0043
**	*	25200200	SUPPLEMENTAL WATERING	UNIT	190	190			
		28000250	TEMPORARY EROSION CONTROL SEEDING	POUND	40	40			
		28000400	PERIMETER EROSION BARRIER	FOOT	200	200			
		28000510	INLET FILTERS	EACH	47	47			
		28001100	TEMPORARY EROSION CONTROL BLANKET	SQ YD	1,898	1,898			
	*	30300001	AGGREGATE SUBGRADE IMPROVEMENT	CU YD	1,146	1,146			
	*	30300112	AGGREGATE SUBGRADE IMPROVEMENT 12"	SQ YD	3,584	3,584			
	*	35301400	PORTLAND CEMENT CONCRETE BASE COURSE (VARIABLE DEPTH)	SQ YD	569	569			
	*	35401100	PORTLAND CEMENT CONCRETE BASE COURSE WIDENING (VARIABLE DEPTH)	SQ YD	105	105			
		35501309	HOT-MIX ASPHALT BASE COURSE, 6 1/4"	SQ YD	2,244	2,244			
		35600701	HOT-MIX ASPHALT BASE COURSE WIDENING, 6 1/4"	SQ YD	104	104			
		40600275	BITUMINOUS MATERIALS (PRIME COAT)	POUND	9,639	9,639			
		40600290	BITUMINOUS MATERIALS (TACK COAT)	POUND	2,598	2,598			
	*	40600370	LONGITUDINAL JOINT SEALANT	FOOT	6,051	6,051			
		40600982	HOT-MIX ASPHALT SURFACE REMOVAL - BUTT JOINT	SQ YD	706	706			

FILE NAME = 200002-sht-500_01.dgn	USER NAME = sbpottorff	DESIGNED - SBP	REVISED -
Default	PLOT SCALE = 100.0001' / in.	DRAWN - BMS	REVISED -
	PLOT DATE = 2/15/2023	CHECKED - JLV	REVISED +
		DATE - 2/15/2023	REVISED -

**STATE OF ILLINOIS
DEPARTMENT OF TRANSPORTATION**

**PRAIRIE STREET AT WILSON STREET INTERSECTION IMPROVEMENTS
SUMMARY OF QUANTITIES**

SCALE: NONE SHEET 2 OF 15 SHEETS STA. TO STA.

F.A.U. RTE.	SECTION	COUNTY	TOTAL SHEETS	SHEET NO.
2511	16-00086-01-FP	KANE	169	5
CONTRACT NO. 61J35			ILLINOIS FED. AID PROJECT	

SPLTY	SP	PAY CODE REF NO.	DESCRIPTION	UNIT	QUANTITY	CONSTRUCTION TYPE CODE			
						ROADWAY RECON 0004 URBAN	SAFETY 0021 URBAN	TRAINEES 0042 URBAN	MISCELLANEOUS URBAN 0043
	*	40601005	HOT-MIX ASPHALT REPLACEMENT OVER PATCHES	TON	63	63			
		40603085	HOT-MIX ASPHALT BINDER COURSE, IL-19.0, N70	TON	207	207			
		40604062	HOT-MIX ASPHALT SURFACE COURSE, IL-9.5, MIX "D", N70	TON	558	558			
		42001300	PROTECTIVE COAT	SQ YD	1,209	1,209			
		42400800	DETECTABLE WARNINGS	SQ FT	166		166		
		44000100	PAVEMENT REMOVAL	SQ YD	2,916	2,916			
		44000155	HOT-MIX ASPHALT SURFACE REMOVAL, 1 1/2"	SQ YD	4,262	4,262			
		44000200	DRIVEWAY PAVEMENT REMOVAL	SQ YD	633	633			
		44000500	COMBINATION CURB AND GUTTER REMOVAL	FOOT	2,534	2,534			
		44000600	SIDEWALK REMOVAL	SQ FT	8,321	8,321			
		44004250	PAVED SHOULDER REMOVAL	SQ YD	67	67			
		44201345	CLASS C PATCHES, TYPE III, 9 INCH	SQ YD	72	72			
		44201347	CLASS C PATCHES, TYPE IV, 9 INCH	SQ YD	129	129			
		44201741	CLASS D PATCHES, TYPE II, 8 INCH	SQ YD	25	25			
		44201745	CLASS D PATCHES, TYPE III, 8 INCH	SQ YD	17	17			

FILE NAME = 200002-sht-500.01.dgn	USER NAME = sbpottorff	DESIGNED - SBP	REVISED -
Default	PLOT SCALE = 100.0001' / in.	DRAWN - BMS	REVISED -
	PLOT DATE = 2/15/2023	CHECKED - JLV	REVISED -
		DATE - 2/15/2023	REVISED -

**STATE OF ILLINOIS
 DEPARTMENT OF TRANSPORTATION**

**PRAIRIE STREET AT WILSON STREET INTERSECTION IMPROVEMENTS
 SUMMARY OF QUANTITIES**

SCALE: NONE SHEET 3 OF 15 SHEETS STA. TO STA.

F.A.U. RTE.	SECTION	COUNTY	TOTAL SHEETS	SHEET NO.
2511	16-00086-01-FP	KANE	169	6
ILLINOIS FED. AID PROJECT			CONTRACT NO. 61J35	

SPLTY	SP	PAY CODE REF NO.	DESCRIPTION	UNIT	QUANTITY	CONSTRUCTION TYPE CODE			
						ROADWAY RECON 0004 URBAN	SAFETY 0021 URBAN	TRAINEES 0042 URBAN	MISCELLANEOUS URBAN 0043
		44201747	CLASS D PATCHES, TYPE IV, 8 INCH	SQ YD	162	162			
		44201796	CLASS D PATCHES, TYPE IV, 12 INCH	SQ YD	91	91			
		550A0050	STORM SEWERS, CLASS A, TYPE 1 12"	FOOT	113	113			
		550A0340	STORM SEWERS, CLASS A, TYPE 2 12"	FOOT	309	309			
		55100500	STORM SEWER REMOVAL 12"	FOOT	424	424			
**	*	56103000	DUCTILE IRON WATER MAIN 6"	FOOT	69				69
**	*	56103300	DUCTILE IRON WATER MAIN 12"	FOOT	1,334				1,334
**	*	56105200	WATER VALVES 12"	EACH	9				9
**	*	56400200	FIRE HYDRANTS TO BE MOVED (SPECIAL)	EACH	2				2
**	*	56400500	FIRE HYDRANTS TO BE REMOVED	EACH	2				2
**	*	56400820	FIRE HYDRANT WITH AUXILIARY VALVE AND VALVE BOX	EACH	9				9
**	*	56500600	DOMESTIC WATER SERVICE BOXES TO BE ADJUSTED	EACH	5				5
		60108204	PIPE UNDERDRAINS, TYPE 2, 4"	FOOT	1,196	1,196			
	*	60200305	CATCH BASINS, TYPE A, 4'-DIAMETER, TYPE 3 FRAME AND GRATE	EACH	4	4			
	*	60201105	CATCH BASINS, TYPE A, 4'-DIAMETER, TYPE 11 FRAME AND GRATE	EACH	1	1			

FILE NAME = 200002-sht-500.01.dgn	USER NAME = sbpottorff	DESIGNED - SBP	REVISED -
Default	PLOT SCALE = 100.0001' / in.	DRAWN - BMS	REVISED -
	PLOT DATE = 2/15/2023	CHECKED - JLV	REVISED -
		DATE - 2/15/2023	REVISED -

**STATE OF ILLINOIS
 DEPARTMENT OF TRANSPORTATION**

**PRAIRIE STREET AT WILSON STREET INTERSECTION IMPROVEMENTS
 SUMMARY OF QUANTITIES**

SCALE: NONE SHEET 4 OF 15 SHEETS STA. TO STA.

F.A.U. RTE.	SECTION	COUNTY	TOTAL SHEETS	SHEET NO.
2511	16-00086-01-FP	KANE	169	7
ILLINOIS FED. AID PROJECT			CONTRACT NO. 61J35	

SPLTY	SP	PAY CODE REF NO.	DESCRIPTION	UNIT	QUANTITY	CONSTRUCTION TYPE CODE			
						ROADWAY RECON 0004 URBAN	SAFETY 0021 URBAN	TRAINEES 0042 URBAN	MISCELLANEOUS URBAN 0043
	*	60201330	CATCH BASINS, TYPE A, 4'-DIAMETER, TYPE 23 FRAME AND GRATE	EACH	1	1			
	*	60207105	CATCH BASINS, TYPE C, TYPE 3 FRAME AND GRATE	EACH	4	4			
		60207605	CATCH BASINS, TYPE C, TYPE 8 GRATE	EACH	1	1			
	*	60207905	CATCH BASINS, TYPE C, TYPE 11 FRAME AND GRATE	EACH	5	5			
	*	60218400	MANHOLES, TYPE A, 4'-DIAMETER, TYPE 1 FRAME, CLOSED LID	EACH	10	10			
		60221100	MANHOLES, TYPE A, 5'-DIAMETER, TYPE 1 FRAME, CLOSED LID	EACH	2	2			
	*	60235700	INLETS, TYPE A, TYPE 3 FRAME AND GRATE	EACH	1	1			
	*	60236800	INLETS, TYPE A, TYPE 11 FRAME AND GRATE	EACH	2	2			
	*	60240215	INLETS, TYPE B, TYPE 1 FRAME, CLOSED LID	EACH	1	1			
		60240220	INLETS, TYPE B, TYPE 3 FRAME AND GRATE	EACH	1	1			
**	*	60248900	VALVE VAULTS, TYPE A, 5'-DIAMETER, TYPE 1 FRAME, CLOSED LID	EACH	9				9
	*	60250600	CATCH BASINS TO BE ADJUSTED WITH NEW TYPE 3 FRAME AND GRATE	EACH	5	5			
	*	60255800	MANHOLES TO BE ADJUSTED WITH NEW TYPE 1 FRAME, CLOSED LID	EACH	1	1			
**		60265700	VALVE VAULTS TO BE ADJUSTED	EACH	2				2
		60600605	CONCRETE CURB, TYPE B	FOOT	582	582			

FILE NAME = 200002-sht-500.01.dgn	USER NAME = sbpottorff	DESIGNED - SBP	REVISED -
Default	PLOT SCALE = 100.0001' / in.	DRAWN - BMS	REVISED -
	PLOT DATE = 2/15/2023	CHECKED - JLV	REVISED -
		DATE - 2/15/2023	REVISED -

**STATE OF ILLINOIS
 DEPARTMENT OF TRANSPORTATION**

**PRAIRIE STREET AT WILSON STREET INTERSECTION IMPROVEMENTS
 SUMMARY OF QUANTITIES**

SCALE: NONE SHEET 5 OF 15 SHEETS STA. TO STA.

F.A.U. RTE.	SECTION	COUNTY	TOTAL SHEETS	SHEET NO.
2511	16-00086-01-FP	KANE	169	8
ILLINOIS FED. AID PROJECT			CONTRACT NO. 61J35	

SPLTY	SP	PAY CODE REF NO.	DESCRIPTION	UNIT	QUANTITY	CONSTRUCTION TYPE CODE			
						ROADWAY RECON 0004 URBAN	SAFETY 0021 URBAN	TRAINEES 0042 URBAN	MISCELLANEOUS URBAN 0043
	*	60603800	COMBINATION CONCRETE CURB AND GUTTER, TYPE B-6.12	FOOT	1,461	1,461			
	*	60604400	COMBINATION CONCRETE CURB AND GUTTER, TYPE B-6.18	FOOT	45	45			
		60618300	CONCRETE MEDIAN SURFACE, 4 INCH	SQ FT	181	181			
**	*	66900200	NON-SPECIAL WASTE DISPOSAL	CU YD	723	723			
**	*	66900530	SOIL DISPOSAL ANALYSIS	EACH	40	40			
**	*	66901001	REGULATED SUBSTANCES PRE-CONSTRUCTION PLAN	L SUM	1	1			
**	*	66901003	REGULATED SUBSTANCES FINAL CONSTRUCTION REPORT	L SUM	1	1			
**	*	66901006	REGULATED SUBSTANCES MONITORING	CAL DA	10	10			
		67000500	ENGINEER'S FIELD OFFICE, TYPE B	CAL MO	17	17			
		67100100	MOBILIZATION	L SUM	1	1			
		70300100	SHORT TERM PAVEMENT MARKING	FOOT	1,180	1,180			
		70300150	SHORT TERM PAVEMENT MARKING REMOVAL	SQ FT	662	662			
		70300211	TEMPORARY PAVEMENT MARKING LETTERS AND SYMBOLS - PAINT	SQ FT	490	490			
		70300221	TEMPORARY PAVEMENT MARKING - LINE 4"- PAINT	FOOT	11,088	11,088			
		70300281	TEMPORARY PAVEMENT MARKING - LINE 24"- PAINT	FOOT	202	202			

FILE NAME = 200002-sh1-500_01.dgn	USER NAME = sbpottorff	DESIGNED - SBP	REVISED -
Default	PLOT SCALE = 100.0001' / in.	DRAWN - BMS	REVISED -
	PLOT DATE = 2/15/2023	CHECKED - JLW	REVISED +
		DATE - 2/15/2023	REVISED -

**STATE OF ILLINOIS
 DEPARTMENT OF TRANSPORTATION**

**PRAIRIE STREET AT WILSON STREET INTERSECTION IMPROVEMENTS
 SUMMARY OF QUANTITIES**

SCALE: NONE SHEET 6 OF 15 SHEETS STA. TO STA.

F.A.U. RTE. 2511	SECTION 16-00086-01-FP	COUNTY KANE	TOTAL SHEETS 169	SHEET NO. 9
CONTRACT NO. 61J35			ILLINOIS FED. AID PROJECT	

SPLTY	SP	PAY CODE REF NO.	DESCRIPTION	UNIT	QUANTITY	CONSTRUCTION TYPE CODE			
						ROADWAY RECON 0004 URBAN	SAFETY 0021 URBAN	TRAINEES 0042 URBAN	MISCELLANEOUS URBAN 0043
		70306120	TEMPORARY PAVEMENT MARKING-LINE 4"-TYPE III TAPE	FOOT	2,414	2,414			
		70400100	TEMPORARY CONCRETE BARRIER	FOOT	112.5	112.5			
		70400125	PINNING TEMPORARY CONCRETE BARRIER	EACH	21	21			
		70600241	IMPACT ATTENUATORS, TEMPORARY (NON- REDIRECTIVE, NARROW), TEST LEVEL 2	EACH	4	4			
**		72000100	SIGN PANEL - TYPE 1	SQ FT	288		288		
**		72400100	REMOVE SIGN PANEL ASSEMBLY - TYPE A	EACH	26		26		
**		72400310	REMOVE SIGN PANEL - TYPE 1	SQ FT	20		20		
**		72400710	RELOCATE SIGN PANEL - TYPE 1	SQ FT	32		32		
**		72800100	TELESCOPING STEEL SIGN SUPPORT	FOOT	448		448		
**		78000100	THERMOPLASTIC PAVEMENT MARKING - LETTERS AND SYMBOLS	SQ FT	610		610		
**		78000200	THERMOPLASTIC PAVEMENT MARKING - LINE 4"	FOOT	7,445		7,445		
**		78000400	THERMOPLASTIC PAVEMENT MARKING - LINE 6"	FOOT	2,830		2,830		
**		78000500	THERMOPLASTIC PAVEMENT MARKING - LINE 8"	FOOT	166		166		
**		78000600	THERMOPLASTIC PAVEMENT MARKING - LINE 12"	FOOT	257		257		
**		78000650	THERMOPLASTIC PAVEMENT MARKING - LINE 24"	FOOT	381		381		

FILE NAME = 200002-sh1-500.01.dgn	USER NAME = sbpottorff	DESIGNED - SBP	REVISED -
Default	PLOT SCALE = 100.0001' / in.	DRAWN - BMS	REVISED -
	PLOT DATE = 2/15/2023	CHECKED - JLV	REVISED +
		DATE - 2/15/2023	REVISED -

**STATE OF ILLINOIS
 DEPARTMENT OF TRANSPORTATION**

**PRAIRIE STREET AT WILSON STREET INTERSECTION IMPROVEMENTS
 SUMMARY OF QUANTITIES**

SCALE: NONE SHEET 7 OF 15 SHEETS STA. TO STA.

F.A.U. RTE.	SECTION	COUNTY	TOTAL SHEETS	SHEET NO.
2511	16-00086-01-FP	KANE	169	10
CONTRACT NO. 61J35			ILLINOIS FED. AID PROJECT	

SPLTY	SP	PAY CODE REF NO.	DESCRIPTION	UNIT	QUANTITY	CONSTRUCTION TYPE CODE			
						ROADWAY RECON 0004 URBAN	SAFETY 0021 URBAN	TRAINEES 0042 URBAN	MISCELLANEOUS URBAN 0043
		78300201	PAVEMENT MARKING REMOVAL - GRINDING	SQ FT	3,669	3,669			
		78300202	PAVEMENT MARKING REMOVAL - WATER BLASTING	SQ FT	130	130			
**	*	80400100	ELECTRIC SERVICE INSTALLATION	EACH	1			1	
**	*	80400200	ELECTRIC UTILITY SERVICE CONNECTION	L SUM	1			1	
**	*	81028200	UNDERGROUND CONDUIT, GALVANIZED STEEL, 2" DIA.	FOOT	1,423			1,423	
**	*	81028220	UNDERGROUND CONDUIT, GALVANIZED STEEL, 3" DIA.	FOOT	330			330	
**	*	81028240	UNDERGROUND CONDUIT, GALVANIZED STEEL, 4" DIA.	FOOT	430			430	
**	*	81028370	UNDERGROUND CONDUIT, PVC, 3" DIA.	FOOT	300			300	
**	*	81400100	HANDHOLE	EACH	6			6	
**	*	81400200	HEAVY-DUTY HANDHOLE	EACH	5			5	
**	*	81400300	DOUBLE HANDHOLE	EACH	3			3	
**	*	81702110	ELECTRIC CABLE IN CONDUIT, 600V (XLP-TYPE USE) 1/C NO. 10	FOOT	2,500			2,500	
**	*	81702417	ELECTRIC CABLE IN CONDUIT, 600V (XLP-TYPE USE) 3-1/C NO. 6, 1/C NO. 6 GROUND	FOOT	365			365	
**		83600200	LIGHT POLE FOUNDATION, 24" DIAMETER	FOOT	10			10	
**	*	84200500	REMOVAL OF LIGHTING UNIT, SALVAGE	EACH	2			2	

FILE NAME = 200002-sh1-500.01.dgn	USER NAME = sbpottorff	DESIGNED - SBP	REVISED -
Default	PLOT SCALE = 100.0001' / in.	DRAWN - BMS	REVISED -
	PLOT DATE = 2/15/2023	CHECKED - JLV	REVISED +
		DATE - 2/15/2023	REVISED -

**STATE OF ILLINOIS
 DEPARTMENT OF TRANSPORTATION**

**PRAIRIE STREET AT WILSON STREET INTERSECTION IMPROVEMENTS
 SUMMARY OF QUANTITIES**

SCALE: NONE SHEET 8 OF 15 SHEETS STA. TO STA.

F.A.U. RTE.	SECTION	COUNTY	TOTAL SHEETS	SHEET NO.
2511	16-00086-01-FP	KANE	169	11
CONTRACT NO. 61J35			ILLINOIS FED. AID PROJECT	

SPLTY	SP	PAY CODE REF NO.	DESCRIPTION	UNIT	QUANTITY	CONSTRUCTION TYPE CODE			
						ROADWAY RECON 0004 URBAN	SAFETY 0021 URBAN	TRAINEES 0042 URBAN	MISCELLANEOUS URBAN 0043
**	*	84200804	REMOVAL OF POLE FOUNDATION	EACH	3		3		
**	*	85000200	MAINTENANCE OF EXISTING TRAFFIC SIGNAL INSTALLATION	EACH	1		1		
**	*	85100500	PAINT NEW TRAFFIC SIGNAL POST	EACH	9		9		
**	*	85100600	PAINT NEW MAST ARM AND POLE, UNDER 40 FOOT	EACH	2		2		
**	*	85100800	PAINT NEW COMBINATION MAST ARM AND POLE, UNDER 40 FOOT	EACH	2		2		
**	*	86400100	TRANSCEIVER - FIBER OPTIC	EACH	1		1		
**	*	87300925	ELECTRIC CABLE IN CONDUIT, TRACER, NO. 14 1C	FOOT	930		930		
**	*	87301215	ELECTRIC CABLE IN CONDUIT, SIGNAL NO. 14 2C	FOOT	1,020		1,020		
**	*	87301225	ELECTRIC CABLE IN CONDUIT, SIGNAL NO. 14 3C	FOOT	2,680		2,680		
**	*	87301245	ELECTRIC CABLE IN CONDUIT, SIGNAL NO. 14 5C	FOOT	2,035		2,035		
**	*	87301255	ELECTRIC CABLE IN CONDUIT, SIGNAL NO. 14 7C	FOOT	1,310		1,310		
**	*	87301305	ELECTRIC CABLE IN CONDUIT, LEAD-IN, NO. 14 1 PAIR	FOOT	5,250		5,250		
**	*	87301750	ELECTRIC CABLE IN CONDUIT, RAILROAD, NO. 14 3C	FOOT	1,215		1,215		
**	*	87301805	ELECTRIC CABLE IN CONDUIT, SERVICE, NO. 6 2 C	FOOT	75		75		
**	*	87301900	ELECTRIC CABLE IN CONDUIT, EQUIPMENT GROUNDING CONDUCTOR, NO. 6 1C	FOOT	1,395		1,395		
**	*	87502460	TRAFFIC SIGNAL POST, GALVANIZED STEEL 12 FT.	EACH	2		2		

FILE NAME = 200002-sht-500_01.dgn	USER NAME = sbpottorff	DESIGNED - SBP	REVISED -
Default	PLOT SCALE = 100.0001' / in.	DRAWN - BMS	REVISED -
	PLOT DATE = 2/15/2023	CHECKED - JLV	REVISED -
		DATE - 2/15/2023	REVISED -

**STATE OF ILLINOIS
 DEPARTMENT OF TRANSPORTATION**

**PRAIRIE STREET AT WILSON STREET INTERSECTION IMPROVEMENTS
 SUMMARY OF QUANTITIES**

SCALE: NONE SHEET 9 OF 15 SHEETS STA. TO STA.

F.A.U. RTE. 2511	SECTION 16-00086-01-FP	COUNTY KANE	TOTAL SHEETS 169	SHEET NO. 12
CONTRACT NO. 61J35			ILLINOIS FED. AID PROJECT	

SPLTY	SP	PAY CODE REF NO.	DESCRIPTION	UNIT	QUANTITY	CONSTRUCTION TYPE CODE			
						STP 70% FEDERAL 30% LOCAL			NON-PARTICIPATING 100% LOCAL
						ROADWAY RECON 0004 URBAN	SAFETY 0021 URBAN	TRAINEES 0042 URBAN	MISCELLANEOUS URBAN 0043
**	*	87502500	TRAFFIC SIGNAL POST, GALVANIZED STEEL 16 FT.	EACH	1			1	
**	*	87502520	TRAFFIC SIGNAL POST, GALVANIZED STEEL 18 FT.	EACH	2			2	
**	*	87800100	CONCRETE FOUNDATION, TYPE A	FOOT	20			20	
**	*	87800150	CONCRETE FOUNDATION, TYPE C	FOOT	4			4	
**	*	87800415	CONCRETE FOUNDATION, TYPE E 36-INCH DIAMETER	FOOT	43			43	
**	*	88030020	SIGNAL HEAD, LED, 1-FACE, 3-SECTION, MAST-ARM MOUNTED	EACH	6			6	
**	*	88030050	SIGNAL HEAD, LED, 1-FACE, 3-SECTION, BRACKET MOUNTED	EACH	2			2	
**	*	88030070	SIGNAL HEAD, LED, 1-FACE, 4-SECTION, BRACKET MOUNTED	EACH	2			2	
**	*	88030080	SIGNAL HEAD, LED, 1-FACE, 4-SECTION, MAST ARM MOUNTED	EACH	2			2	
**	*	88030100	SIGNAL HEAD, LED, 1-FACE, 5-SECTION, BRACKET MOUNTED	EACH	2			2	
**	*	88030110	SIGNAL HEAD, LED, 1-FACE, 5-SECTION, MAST-ARM MOUNTED	EACH	2			2	
**	*	88102717	PEDESTRIAN SIGNAL HEAD, LED, 1-FACE, BRACKET MOUNTED WITH COUNTDOWN TIMER	EACH	8			8	
**	*	88200410	TRAFFIC SIGNAL BACKPLATE, LOUVERED, FORMED PLASTIC	EACH	10			10	
**		88500100	INDUCTIVE LOOP DETECTOR	EACH	10			10	
**	*	88600100	DETECTOR LOOP, TYPE I	FOOT	980			980	

FILE NAME = 200002-sht-500.01.dgn	USER NAME = sbpottorff	DESIGNED - SBP	REVISED -
Default	PLOT SCALE = 100.0001' / in.	DRAWN - BMS	REVISED -
	PLOT DATE = 2/15/2023	CHECKED - JLV	REVISED -
		DATE - 2/15/2023	REVISED -

**STATE OF ILLINOIS
 DEPARTMENT OF TRANSPORTATION**

**PRAIRIE STREET AT WILSON STREET INTERSECTION IMPROVEMENTS
 SUMMARY OF QUANTITIES**

SCALE: NONE SHEET 10 OF 15 SHEETS STA. TO STA.

F.A.U. RTE.	SECTION	COUNTY	TOTAL SHEETS	SHEET NO.
2511	16-00086-01-FP	KANE	169	13
CONTRACT NO. 61J35			ILLINOIS FED. AID PROJECT	

SPLTY	SP	PAY CODE REF NO.	DESCRIPTION	UNIT	QUANTITY	CONSTRUCTION TYPE CODE			
						ROADWAY RECON 0004 URBAN	SAFETY 0021 URBAN	TRAINEES 0042 URBAN	MISCELLANEOUS URBAN 0043
**	*	88700200	LIGHT DETECTOR	EACH	4		4		
**	*	88700300	LIGHT DETECTOR AMPLIFIER	EACH	1		1		
**	*	88800100	PEDESTRIAN PUSH-BUTTON	EACH	8		8		
**		C2C01024	SHRUB, BUXUS MICROPHYLLA WINTERGREEN (WINTERGREEN LITTLELEAF BOXWOOD), 2' HEIGHT, CONTAINER	EACH	37	37			
**	*	K0036120	MULCH PLACEMENT 4"	SQ YD	47	47			
	*	X0100003	CLEARING AND GRUBBING	SQ YD	56	56			
	*	X0300019	REMOVE AND REINSTALL PARKING BLOCKS	EACH	7	7			
	*	X0301834	STORM SEWER TO BE FILLED	FOOT	323	323			
	*	X0322463	CONNECTION TO EXISTING SEWER	EACH	7	7			
	*	X0323160	VIDEO INSPECTION OF STORM SEWER	FOOT	745				745
**	*	X0323577	SANITARY SEWER TELEVISION INSPECTION, VIDEOTAPING AND RECORDING	FOOT	1,750				1,750
**	*	X0324085	EMERGENCY VEHICLE PRIORITY SYSTEM LINE SENSOR CABLE, NO. 20 3/C	FOOT	655		655		
**	*	X0324585	SANITARY SEWER SERVICE REMOVAL AND REPLACEMENT	EACH	13	13			
	*	X0326806	WASHOUT BASIN	L SUM	1	1			
	*	X0327487	TRIAxIAL GEOGRID REINFORCEMENT, TYPE I	SQ YD	1,388	1,388			

FILE NAME = 200002-sht-500_01.dgn	USER NAME = sbpottorff	DESIGNED - SBP	REVISED -
Default	PLOT SCALE = 100.0001' / in.	DRAWN - BMS	REVISED -
	PLOT DATE = 2/15/2023	CHECKED - JLW	REVISED +
		DATE - 2/15/2023	REVISED -

**STATE OF ILLINOIS
 DEPARTMENT OF TRANSPORTATION**

**PRAIRIE STREET AT WILSON STREET INTERSECTION IMPROVEMENTS
 SUMMARY OF QUANTITIES**

SCALE: NONE SHEET 11 OF 15 SHEETS STA. TO STA.

F.A.U. RTE.	SECTION	COUNTY	TOTAL SHEETS	SHEET NO.
2511	16-00086-01-FP	KANE	169	14
CONTRACT NO. 61J35			ILLINOIS FED. AID PROJECT	

SPLTY	SP	PAY CODE REF NO.	DESCRIPTION	UNIT	QUANTITY	CONSTRUCTION TYPE CODE			
						ROADWAY RECON 0004 URBAN	SAFETY 0021 URBAN	TRAINEES 0042 URBAN	MISCELLANEOUS URBAN 0043
**	*	X0327618	LANDSCAPING, SPECIAL	L SUM	1	1			
	*	X0540000	BRICK PAVERS	SQ FT	1,287	1,287			
**	*	X1200015	VALVE VAULTS TO BE ABANDONED	EACH	6				6
	*	X1200044	TEMPORARY STORM SEWER 12"	FOOT	42	42			
**	*	X1200152	STEEL CASING PIPE, BORED AND JACKED, 28"	FOOT	323	80			243
**	*	X1400150	SERVICE INSTALLATION, GROUND MOUNTED, METERED	EACH	1			1	
**	*	X1400168	RAILROAD, FULL-ACTUATED CONTROLLER AND TYPE SUPER P CABINET (SPECIAL)	EACH	1			1	
**	*	X1400202	LUMINAIRE (SPECIAL)	EACH	4			4	
**	*	X1400214	SPARE RAILROAD, FULL ACTUATED CONTROLLER , SPECIAL	EACH	1				1
**	*	X1400367	PEDESTRIAN SIGNAL POST, 10 FT.	EACH	1			1	
**	*	X1800024	DECORATIVE STONE	SQ FT	1,940	1,940			
	*	X4021000	TEMPORARY ACCESS (PRIVATE ENTRANCE)	EACH	10	10			
	*	X4022000	TEMPORARY ACCESS (COMMERCIAL ENTRANCE)	EACH	1	1			
	*	X4230710	PORTLAND CEMENT CONCRETE DRIVEWAY PAVEMENT, 6 INCH, SPECIAL	SQ YD	68	68			
	*	X4230800	PORTLAND CEMENT CONCRETE DRIVEWAY PAVEMENT, 8 INCH, SPECIAL	SQ YD	157	157			

FILE NAME = 200002-sh1-500.01.dgn	USER NAME = sbpottorff	DESIGNED - SBP	REVISED -
Default	PLOT SCALE = 100.0001' / in.	DRAWN - BMS	REVISED -
	PLOT DATE = 2/15/2023	CHECKED - JLV	REVISED +
		DATE - 2/15/2023	REVISED -

**STATE OF ILLINOIS
 DEPARTMENT OF TRANSPORTATION**

PRAIRIE STREET AT WILSON STREET INTERSECTION IMPROVEMENTS SUMMARY OF QUANTITIES			
SCALE: NONE	SHEET 12 OF 15 SHEETS	STA.	TO STA.

F.A.U. RTE.	SECTION	COUNTY	TOTAL SHEETS	SHEET NO.
2511	16-00086-01-FP	KANE	169	15
			CONTRACT NO. 61J35	
ILLINOIS FED. AID PROJECT				

SPLTY	SP	PAY CODE REF NO.	DESCRIPTION	UNIT	QUANTITY	CONSTRUCTION TYPE CODE			
						ROADWAY RECON 0004 URBAN	SAFETY 0021 URBAN	TRAINEES 0042 URBAN	MISCELLANEOUS URBAN 0043
	*	X4240430	PORTLAND CEMENT CONCRETE SIDEWALK 5 INCH, SPECIAL	SQ FT	6,812	6,812			
	*	X4240440	PORTLAND CEMENT CONCRETE SIDEWALK 6 INCH, SPECIAL	SQ FT	772	772			
	*	X4240460	PORTLAND CEMENT CONCRETE SIDEWALK 8 INCH, SPECIAL	SQ FT	959	959			
**	*	X5620116	WATER SERVICE CONNECTION (SHORT)	EACH	9				9
**	*	X5620118	WATER SERVICE CONNECTION (LONG)	EACH	6				6
	*	X6026050	SANITARY MANHOLES TO BE ADJUSTED	EACH	5	5			
	*	X6030310	FRAMES AND LIDS TO BE ADJUSTED (SPECIAL)	EACH	8	8			
	*	X6061306	CONCRETE CURB, TYPE M (SPECIAL)	FOOT	40	40			
	*	X6064200	COMBINATION CONCRETE CURB AND GUTTER, TYPE B-6.12 (SPECIAL)	FOOT	1,072	1,072			
	*	X6660445	RIGHT OF WAY AND PROPERTY CORNERS	EACH	18	18			
	*	X7010216	TRAFFIC CONTROL AND PROTECTION, (SPECIAL)	L SUM	1	1			
	*	X7010238	CHANGEABLE MESSAGE SIGN, SPECIAL	CAL MO	39	39			
**	*	X8100105	CONDUIT SPLICE	EACH	1			1	
**	*	X8250091	COMBINATION LIGHTING CONTROLLER	EACH	1			1	
**	*	X8410102	TEMPORARY LIGHTING SYSTEM	L SUM	1			1	

FILE NAME = 200002-sht-500.01.dgn	USER NAME = sbpottorff	DESIGNED - SBP	REVISED -
Default	PLOT SCALE = 100.0001' / in.	DRAWN - BMS	REVISED -
	PLOT DATE = 2/15/2023	CHECKED - JLV	REVISED +
		DATE - 2/15/2023	REVISED -

**STATE OF ILLINOIS
 DEPARTMENT OF TRANSPORTATION**

**PRAIRIE STREET AT WILSON STREET INTERSECTION IMPROVEMENTS
 SUMMARY OF QUANTITIES**

SCALE: NONE SHEET 13 OF 15 SHEETS STA. TO STA.

F.A.U. RTE. 2511	SECTION 16-00086-01-FP	COUNTY KANE	TOTAL SHEETS 169	SHEET NO. 16
CONTRACT NO. 61J35			ILLINOIS FED. AID PROJECT	

SPLTY	SP	PAY CODE REF NO.	DESCRIPTION	UNIT	QUANTITY	CONSTRUCTION TYPE CODE			
						ROADWAY RECON 0004 URBAN	STP 70% FEDERAL 30% LOCAL		NON-PARTICIPATING 100% LOCAL
							SAFETY 0021 URBAN	TRAINEES 0042 URBAN	
**	*	X8440110	RELOCATE EXISTING LIGHT POLE WITH LUMINAIRE	EACH	1			1	
**	*	X8620200	UNINTERRUPTABLE POWER SUPPLY, SPECIAL	EACH	1			1	
**	*	X8710024	FIBER OPTIC CABLE IN CONDUIT, NO. 62.5/125 MM12F SM24F	FOOT	965			965	
**	*	X8770123	STEEL COMBINATION MAST ARM ASSEMBLY AND POLE 24 FT. (SPECIAL)	EACH	1			1	
**	*	X8770127	STEEL COMBINATION MAST ARM ASSEMBLY AND POLE 32 FT. (SPECIAL)	EACH	1			1	
**	*	X8770136	STEEL COMBINATION MAST ARM ASSEMBLY AND POLE 36 FT. (SPECIAL)	EACH	1			1	
**	*	X8770137	STEEL COMBINATION MAST ARM ASSEMBLY AND POLE 38 FT. (SPECIAL)	EACH	1			1	
**	*	X8780012	CONCRETE FOUNDATION, TYPE A 12-INCH DIAMETER	FOOT	4			4	
**	*	X8910050	ILLUMINATED SIGN, SPECIAL	EACH	3			3	
**	*	XX003037	DUCTILE IRON FITTINGS AND ACCESSORIES	POUND	11,973				11,973
**	*	XX003536	CONNECTION TO EXISTING WATER MAIN (NON PRESSURE)	EACH	9				9
**	*	XX006168	SAMPLING TAP	EACH	1				1
**	*	XX007520	GATE VALVE AND BOX TO BE REMOVED	EACH	3				3
	*	XX008195	EXPLORATION EXCAVATION (UTILITY)	FOOT	240	240			
**	*	XX008910	PAVEMENT MARKING (SPECIAL)	SQ FT	1,245	1,245			
	*	XX009279	PRE-CONSTRUCTION VIDEO TAPING	L SUM	1				1

FILE NAME = 200002-sh-t-500.01.dgn	USER NAME = sbpottorff	DESIGNED - SBP	REVISED -
Default	PLOT SCALE = 100.0001' / in.	DRAWN - BMS	REVISED -
	PLOT DATE = 2/15/2023	CHECKED - JLV	REVISED -
		DATE - 2/15/2023	REVISED -

**STATE OF ILLINOIS
 DEPARTMENT OF TRANSPORTATION**

**PRAIRIE STREET AT WILSON STREET INTERSECTION IMPROVEMENTS
 SUMMARY OF QUANTITIES**

SCALE: NONE SHEET 14 OF 15 SHEETS STA. TO STA.

F.A.U. RTE.	SECTION	COUNTY	TOTAL SHEETS	SHEET NO.
2511	16-00086-01-FP	KANE	169	17
CONTRACT NO. 61J35			ILLINOIS FED. AID PROJECT	

SPLTY	SP	PAY CODE REF NO.	DESCRIPTION	UNIT	QUANTITY	CONSTRUCTION TYPE CODE			
						ROADWAY RECON 0004 URBAN	SAFETY 0021 URBAN	TRAINEES 0042 URBAN	MISCELLANEOUS URBAN 0043
	*	Z0004002	BOLLARDS	EACH	2	2			
	*	Z0004510	HOT-MIX ASPHALT DRIVEWAY PAVEMENT, 3"	SQ YD	81	81			
	*	Z0004530	HOT-MIX ASPHALT DRIVEWAY PAVEMENT, 8"	SQ YD	172	172			
	*	Z0013798	CONSTRUCTION LAYOUT	L SUM	1	1			
	*	Z0018700	DRAINAGE STRUCTURE TO BE REMOVED	EACH	13	13			
	*	Z0023200	FILLING DRAINAGE STRUCTURES	EACH	1	1			
	*	Z0030850	TEMPORARY INFORMATION SIGNING	SQ FT	102.8	102.8			
**	*	Z0033028	MAINTENANCE OF LIGHTING SYSTEM	CAL MO	12			12	
**	*	Z0033056	OPTIMIZE TRAFFIC SIGNAL SYSTEM	EACH	1			1	
	*	Z0048665	RAILROAD PROTECTIVE LIABILITY INSURANCE	L SUM	1	1			
	*	Z0056648	STORM SEWERS, TYPE 1, WATER MAIN QUALITY PIPE, 12"	FOOT	701	701			
	*	Z0056668	STORM SEWERS, TYPE 2, WATER MAIN QUALITY PIPE, 12"	FOOT	110	110			
	*	Z0062458	TEMPORARY PAVEMENT (VARIABLE DEPTH)	TON	50	50			
	*	Z0076600	TRAINEES	HOUR	500			500	
	*	Z0076604	TRAINEES TRAINING PROGRAM GRADUATE	HOUR	500			500	

FILE NAME = 200002-sh1-500_01.dgn	USER NAME = sbpottorff	DESIGNED - SBP	REVISED -
Default	PLOT SCALE = 100.0001' / in.	DRAWN - BMS	REVISED -
	PLOT DATE = 2/15/2023	CHECKED - JLV	REVISED +
		DATE - 2/15/2023	REVISED -

**STATE OF ILLINOIS
 DEPARTMENT OF TRANSPORTATION**

**PRAIRIE STREET AT WILSON STREET INTERSECTION IMPROVEMENTS
 SUMMARY OF QUANTITIES**

SCALE: NONE SHEET 15 OF 15 SHEETS STA. TO STA.

F.A.U. RTE. 2511	SECTION 16-00086-01-FP	COUNTY KANE	TOTAL SHEETS 169	SHEET NO. 18
CONTRACT NO. 61J35			ILLINOIS FED. AID PROJECT	

EARTHWORK SUMMARY SCHEDULE

LOCATION	EARTHWORK			TOPSOIL			UNDERCUTS				NON-SPECIAL WASTE
	20200100			20201200	21101615	21101645	20201200	30300001	210010000	X0327487	66900200
	EARTHWORK EXCAVATION	EMBANKMENT	BALANCE WASTE (+) OR SHORTAGE (-)	TOPSOIL EXCAVATION	TOPSOIL FURNISH AND PLACE, 4"	TOPSOIL FURNISH AND PLACE, 12"	REMOVAL & DISPOSAL OF UNSUITABLE MATERIAL	AGGREGATE SUBGRADE IMPROVEMENT	GEOTECHNICAL FABRIC FOR GROUND STABILIZATION	TRIAIXIAL GEOGRID REINFORCEMENT, TYPE I	NON-SPECIAL WASTE DISPOSAL
	(CU YD)	(CU YD)	(CU YD)	(CU YD)	(SQ YD)	(SQ YD)	(CU YD)	(CU YD)	(SQ YD)	(SQ YD)	(CU YD)
PRAIRIE	978.0	120.0	711.0	258.0	919.0		1099.0	1099.0	2604.0	1388.0	292.0
WILSON	331.0	107.0	174.0	160.0	979.0	90.0	47.0	47.0	141.0		431.0
NON-SPECIAL WASTE	723.0										
TOTAL	2032.0	227.0	885.0	418.0	1898.0	90.0	1146.0	1146.0	2745.0	1388.0	723.0

EARTHWORK GENERAL NOTES

ALL EARTHWORK QUANTITIES ALONG THE ROADWAY CORRIDOR WERE CALCULATED BY THE METHOD OF AVERAGE END AREAS USING THE PLAN CROSS SECTIONS.

SHRINKAGE FACTOR, ASSUMED TO BE 15% FOR THIS PROJECT IS ESTIMATED FOR THE PURPOSE OF DETERMINING A BALANCE OF EARTHWORK. THE CONTRACTOR SHALL ESTIMATE THEIR OWN SHRINKAGE FACTORS IN DETERMINING THEIR EARTHWORK. NO PAYMENT WILL BE MADE ON EARTHWORK QUANTITIES DUE TO VARIATION IN THE SHRINKAGE FACTOR SINCE EARTHWORK IS MEASURED IN ITS FINAL POSITION.

NO SHRINKAGE FACTOR WAS APPLIED WHEN CALCULATING TOPSOIL QUANTITIES.

THE AVERAGE THICKNESS OF EIGHT (8) INCHES OF TOPSOIL WAS USED FOR THE PURPOSE OF CALCULATING TOPSOIL STRIPPING QUANTITIES (PER DOCUMENTED IN RGR).

UNDERCUTS WILL BE MEASURED FOR PAYMENT AS "REMOVAL & DISPOSAL OF UNSUITABLE MATERIAL".

TOPSOIL STRIPPING WILL BE MEASURED FOR PAYMENT AS "REMOVAL & DISPOSAL OF UNSUITABLE MATERIAL".

EARTH EXCAVATION WILL ALSO INCLUDE ALL AGGREGATE BASE COURSES, AGGREGATE SUB-BASE'S AND AGGREGATE SURFACES AND SHOULDERS.

UNDERCUTS WILL BE PAID FOR AS "REMOVAL AND DISPOSAL OF UNSUITABLE MATERIAL". AFTER TOPSOIL STRIPPING AND VEGETATION CLEARING ARE COMPLETE AND PRIOR TO UNDERCUTTING, THE SUBGRADE IN THE AREAS OF THE PROPOSED ROADWAY WILL BE TESTED WITH A STATIC OR DYNAMIC CONE PENETROMETER IN ACCORDANCE WITH THE IDOT SUBGRADE STABILITY MANUAL TO DETERMINE REMEDIAL TREATMENT.

WHERE PAVEMENTS AND SIDEWALKS ARE CONSTRUCTED, TESTING OF SUBGRADES AND EMBANKMENTS WILL BE REQUIRED. TESTING REQUIREMENTS WILL BE PER THE APPLICABLE SECTIONS OF THE STANDARD SPECIFICATIONS AND THE SUBGRADE STABILITY MANUAL. IF PROOF ROLLS ARE REQUIRED BY THE ENGINEER, THE COST SHALL BE CONSIDERED INCLUDED IN THE COST OF EXCAVATION.

BASED ON THE GEOTECHNICAL REPORT, 1,146 CY OF AGGREGATE SUBGRADE IMPROVEMENT (CU YD) HAS BEEN PROVIDED FOR USE AT THE LOCATIONS INDICATED FOR SOILS THAT TEND TO BE UNSTABLE AND/OR UNSUITABLE WHEN WET. THE ACTUAL NEED FOR REMOVAL AND REPLACEMENT WITH AGGREGATE SUBGRADE IMPROVEMENT (CU YD) WILL BE DETERMINED IN THE FIELD AT THE TIME OF CONSTRUCTION BY THE GEOTECHNICAL ENGINEER. ALL POTENTIALLY UNSTABLE SOILS SHOULD BE TESTED WITH A STATIC CONE AND/OR DYNAMIC CONE PENETROMETER AND TREATED IN ACCORDANCE WITH ARTICLE 301.04 (04/01/2016) OF THE STANDARD SPECIFICATIONS FOR ROAD AND BRIDGE CONSTRUCTION AND THE CURRENT IDOT SUBGRADE STABILITY MANUAL. IF UNSTABLE AND/OR UNSUITABLE SOILS ARE NOT ENCOUNTERED THE QUANTITY SHALL BE DEDUCTED AND NO ADDITIONAL COMPENSATION WILL BE DUE TO THE CONTRACTOR.

THE SUBGRADE STABILITY SHALL BE VERIFIED BY PROOF ROLLING WITH A FULLY LOADED TANDEM-AXLE TRUCK. ANY AGGREGATE SUBGRADE IMPROVEMENT CONTAMINATED AND/OR DAMAGED BY THE CONTRACTOR'S VEHICLES AND/OR EQUIPMENT IS TO BE REMOVED AND REPLACED AS DIRECTED BY THE ENGINEER AT THE CONTRACTOR'S EXPENSE.

EARTH AND TOPSOIL EXCAVATION SHALL BE PAID FOR ONLY ONCE, REGARDLESS OF STAGING OR SEQUENCING OF CONTRACTORS OPERATIONS THAT REQUIRE TEMPORARY STOCKPILING OF MATERIALS FOR LATER USE FOR REDISTRIBUTION AND RESPREADING IN SHOULDERS AND CONSTRUCTING OF EMBANKMENTS.

TRIAIXIAL GEOGRID REINFORCEMENT

GEOGRID WILL BE PLACED IN CONJUNCTION WITH GEOTECHNICAL FABRIC FOR GROUND STABILIZATION IN THE 18" UNDERCUT AREA FROM STA. 120+57 TO STA 123+31. THE GEOGRID SHALL BE PLACED BELOW THE GEOTECHNICAL FABRIC.

ALL OTHER UNDERCUT AREAS WILL HAVE GEOTECHNICAL FABRIC FOR GROUND STABILIZATION ONLY.

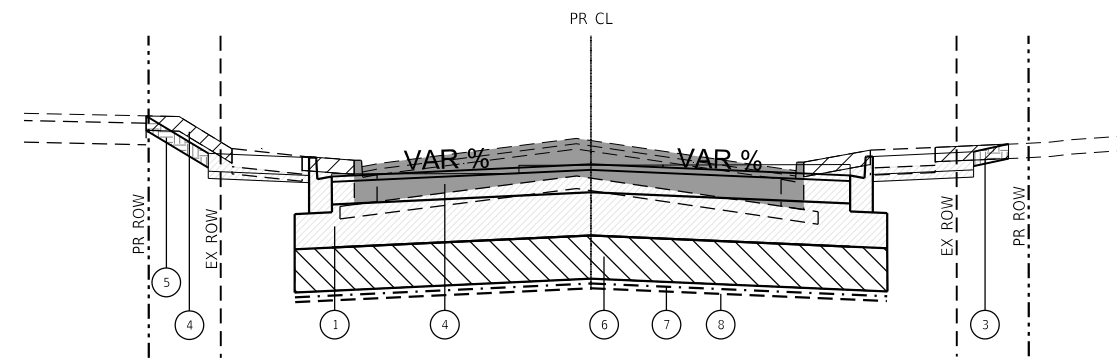
EXISTING INFORMATION

RECOMMENDATIONS DOCUMENTED BY CHICAGO TESTING LABORATORY IN THE "ROADWAY GEOTECHNICAL REPORT" DATED NOVEMBER 3, 2017 AND AS-BUILT PLANS DATED MARCH 6, 2020 PREPARED BY CRAWFORD, MURPHY & TILLY FOR SECTION 16-00086-00-FP WERE USED IN PREPARATION OF THE ROADWAY PLANS AND RELATED QUANTITY CALCULATIONS.

INFORMATION ON WILSON STREET PAVEMENT STRUCTURE THICKNESS WAS TAKEN FROM AS-BUILT PLANS DATED JUNE 12, 2009 AND PAVEMENT CORES TAKEN IN DECEMBER 2021 BY THE CITY OF BATAVIA.

NON-SPECIAL WASTE MATERIALS

A PSI WAS COMPLETED FOR THIS PROJECT BY HUFF & HUFF, DATED JULY 27, 2022 AND THERE WERE AREAS TESTED THAT WILL BE INELIGIBLE FOR CCDD DISPOSAL. THESE SOILS ARE GENERAL LOCATED FROM STA 94+40 TO 97+50 AND STA. 99+50 TO STA. 100+75 ON WILSON STREET AND STA. 123+10 TO 125+10 ON PRAIRIE STREET. EXCAVATION OF THESE SOILS WILL BE PAID FOR AS "EARTH EXCAVATION" AND DISPOSAL OF THESE SOILS WILL BE PAID FOR AS "NON-SPECIAL WASTE DISPOSAL". AN ESTIMATED 723 CY HAVE BEEN INCLUDED IN THE PLANS FOR THESE ITEMS.



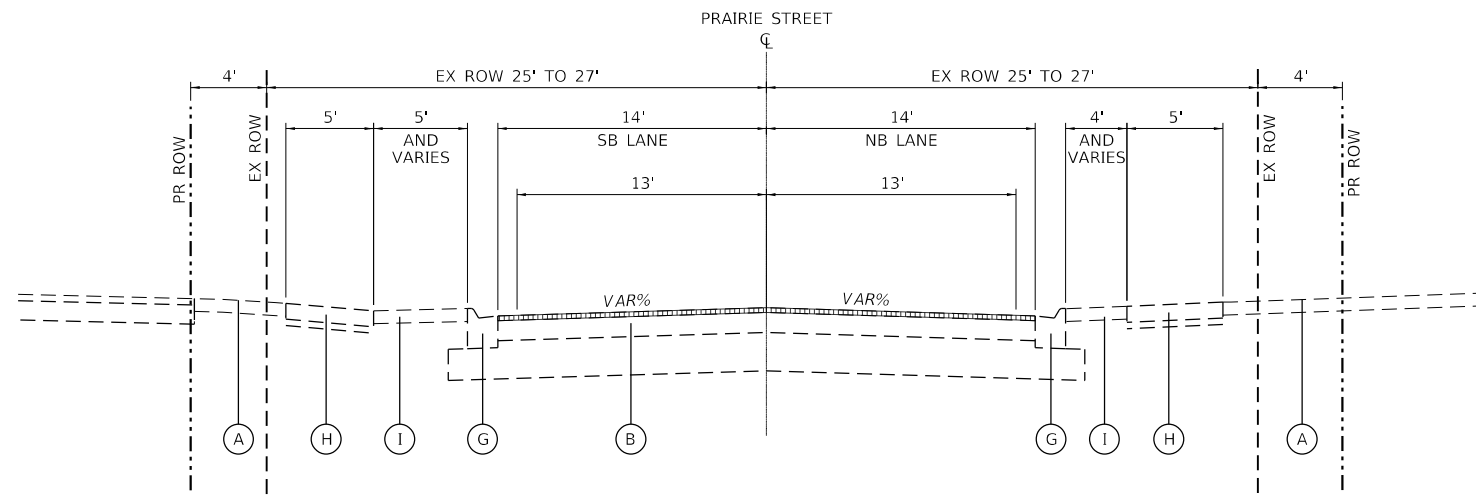
EARTHWORK TYPICAL SECTION

PROPOSED LEGEND

- ① EXCAVATION
- ② EMBANKMENT - (FROM EXCAVATION)
- ③ TOPSOIL STRIPPING (REMOVAL AND DISPOSAL OF UNSUITABLE MATERIAL)
- ④ PAVEMENT REMOVAL
- ⑤ TOPSOIL PLACEMENT (TOPSOIL FURNISH AND PLACE, 4")
- ⑥ UNSUITABLE EXCAVATION (REMOVAL AND DISPOSAL OF UNSUITABLE MATERIAL)
- ⑦ GEOTECHNICAL FABRIC FOR GROUND STABILIZATION
- ⑧ TRIAXIAL GEOGRID REINFORCEMENT, TYPE I

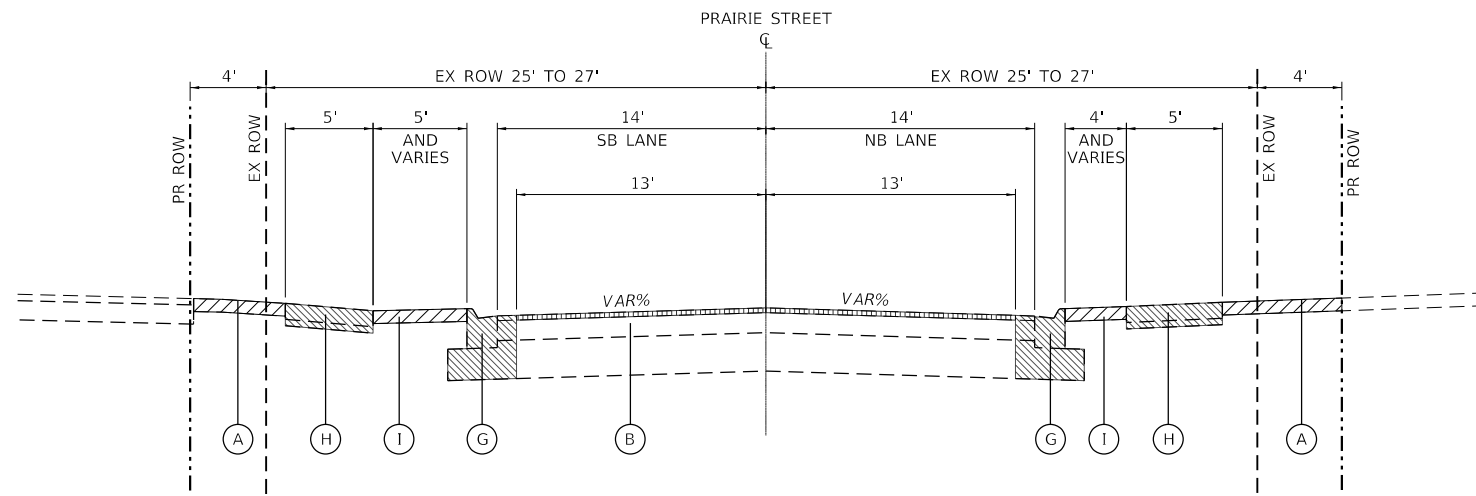
FILE NAME = 200002-Sch0ty Earthwork-01.dgn	USER NAME = sbpottorff	DESIGNED - SBP	REVISED -
Default		DRAWN - BMS	REVISED -
	PLOT SCALE = 40.0000 ' / in.	CHECKED - JLV	REVISED -
	PLOT DATE = 5/4/2023	DATE - 5/4/2023	REVISED -

F.A.U. RTE.	SECTION	COUNTY	TOTAL SHEETS	SHEET NO.
2511	16-00086-01-FP	KANE	169	19
CONTRACT NO. 61J35				
		ILLINOIS	FED. AID PROJECT	



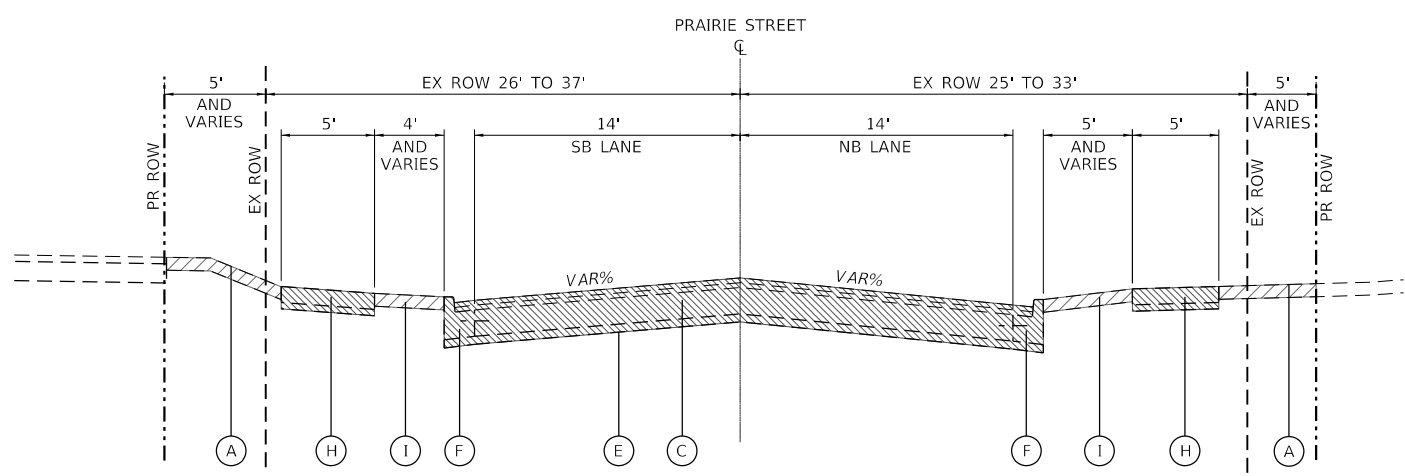
EXISTING TYPICAL SECTION NO. 1

PRAIRIE STREET
 STA 118+73.97 TO STA 119+95.85
 STA 126+62.56 TO STA 126+67.06



EXISTING TYPICAL SECTION NO. 2

PRAIRIE STREET
 STA 119+95.85 TO STA 120+65.00



EXISTING TYPICAL SECTION NO. 3

PRAIRIE STREET
 STA 120+65.00 TO STA 123+49.00
 STA 123+49.00 TO STA 123+62.32 (RAILROAD OMISSION)
 STA 123+62.32 TO STA 124+43.39
 (INTERSECTION OMISSION - SEE WILSON STREET)
 STA 124+43.39 TO STA 124+72.75

EXISTING LEGEND

- (A) EX GROUND
- (B) EX PAVEMENT - PRAIRIE STREET (SEE NOTE 1)
 1 1/2" - HMA PAVEMENT
 6 1/4" - HMA BASE COURSE
 12" - AGGEGATE SUBGRADE IMPROVEMENT
- (C) EX PAVEMENT - PRAIRIE STREET (SEE NOTE 1)
 2 3/4" - 3" - HMA PAVEMENT
 8" - PC CONCRETE BASE
- (D) EX PAVEMENT - WILSON STREET (SEE NOTE 2)
 3 3/4" - 7 1/2" HMA PAVEMENT
 8" - PC CONCRETE BASE
- (E) EX AGGREGATE BASE COURSE (2 1/2" NOMINAL THICKNESS)
- (F) EX PC CONCRETE CURB & GUTTER TYPE B6.12
- (G) EX PC CONCRETE CURB & GUTTER TYPE M3.12
- (H) EX PCC SIDEWALK 5" / AGGREGATE BASE
- (I) EX TOPSOIL - 8" (Per SGR)

REMOVAL LEGEND

- REMOVALS:
 PAVEMENTS
 CURB AND GUTTER
 AGGREGATE BASE
 SIDEWALKS
- TOPSOIL STRIPPING
 (REMOVAL AND DISPOSAL OF UNSUITABLE MATERIAL)
- HMA SURFACE REMOVAL - 1 1/2"

EXISTING PAVEMENT NOTES

1. INFORMATION ON PRAIRIE STREET PAVEMENT STRUCTURE THICKNESS WAS TAKEN FROM INFORMATION DOCUMENTED BY CHICAGO TESTING LABORATORY IN THE "ROADWAY GEOTECHNICAL REPORT" DATED NOVEMBER 3, 2017 AND AS-BUILT PLANS DATED MARCH 6, 2020 PREPARED BY CRAWFORD, MURPHY & TILLY FOR SECTION 16-00086-00-FP.
2. INFORMATION ON WILSON STREET PAVEMENT STRUCUTRE THICKNESS WAS TAKEN FROM AS-BUILT PLANS DATED JUNE 12, 2009 AND PAVEMENT CORES TAKEN IN DECEMBER 2021 BY THE CITY OF BATAVIA.
3. IT SHALL BE THE RESPONSIBILITY OF THE CONTRACTOR TO VERIFY THE THICKNESS OF PAVEMENTS TO BE REMOVED AND THE EXTENT TO WHICH THEY MAY BE REINFORCED (IF APPLICABLE).

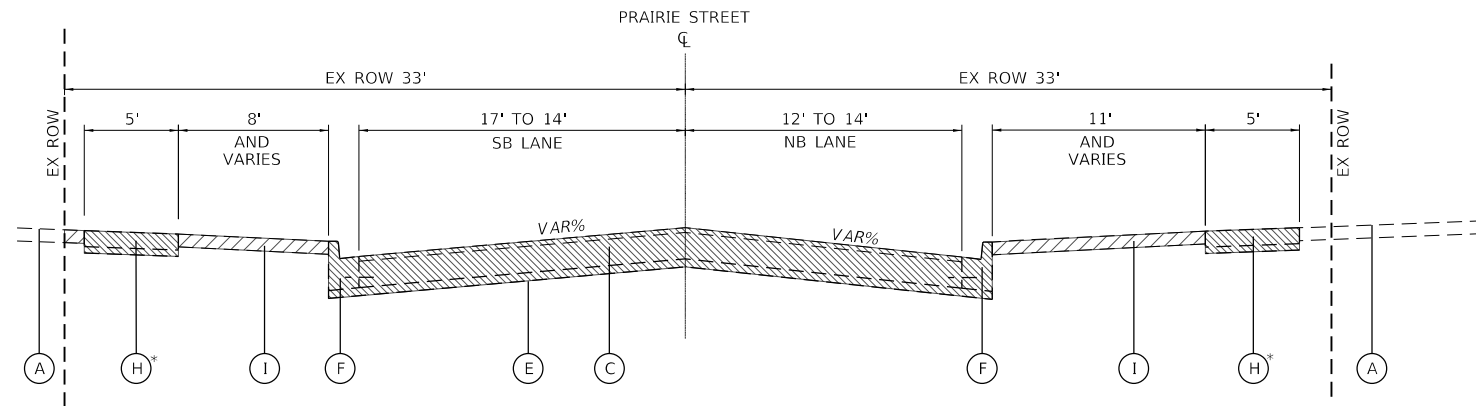
TRANSYSTEMS
 1475 EAST WOODFIELD ROAD, SUITE 600
 SCHAUMBURG, ILLINOIS 60173
 (847) 605-9600

FILE NAME = 200002-sht-Typical.01.dgn	USER NAME = sbpottorff	DESIGNED - SBP	REVISED -
Default		DRAWN - BMS	REVISED -
	PLOT SCALE = 10.0000' / in.	CHECKED - JLK	REVISED -
	PLOT DATE = 2/15/2023	DATE - 2/15/2023	REVISED -

**STATE OF ILLINOIS
 DEPARTMENT OF TRANSPORTATION**

PRAIRIE STREET AT WILSON STREET INTERSECTION IMPROVEMENTS TYPICAL SECTIONS	
SCALE: NONE	SHEET 1 OF 4 SHEETS
STA.	TO STA.

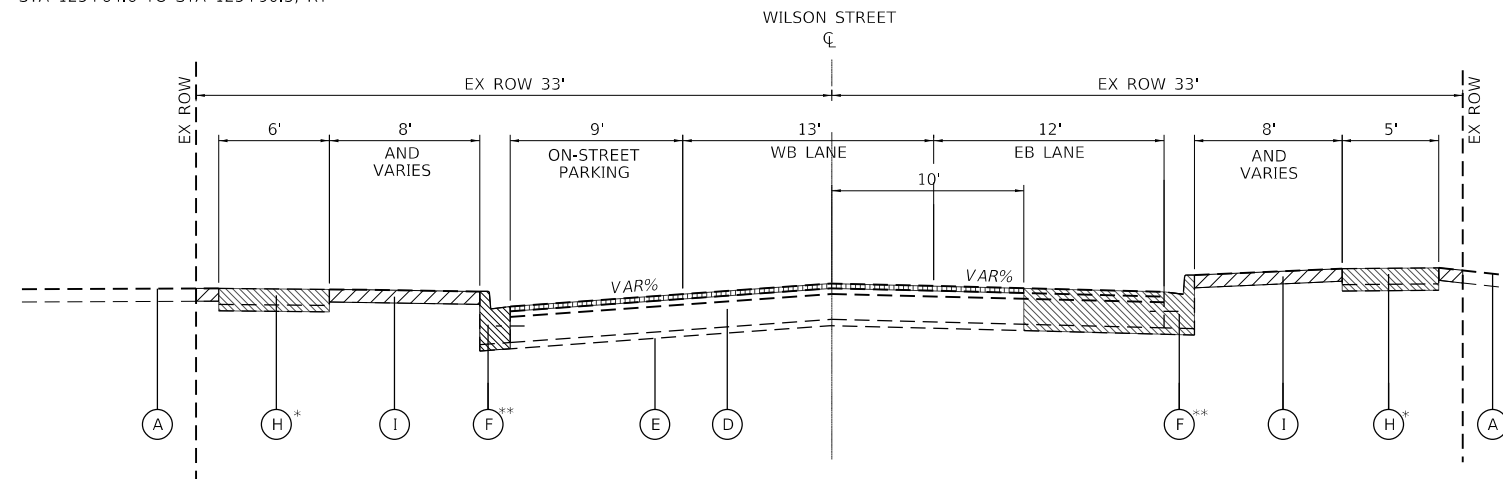
F.A.U. RTE.	SECTION	COUNTY	TOTAL SHEETS	SHEET NO.
2511	16-00086-01-FP	KANE	169	20
CONTRACT NO. 61J35				
ILLINOIS FED. AID PROJECT				



EXISTING TYPICAL SECTION NO. 4

***SIDEWALK REMOVAL**
 STA 124+66.5 TO STA 125+28.8, LT
 STA 124+72.8 TO STA 125+40.8, RT
 STA 125+64.6 TO STA 125+90.3, RT

PRAIRIE STREET
 STA 124+64.17 TO STA 126+67.06

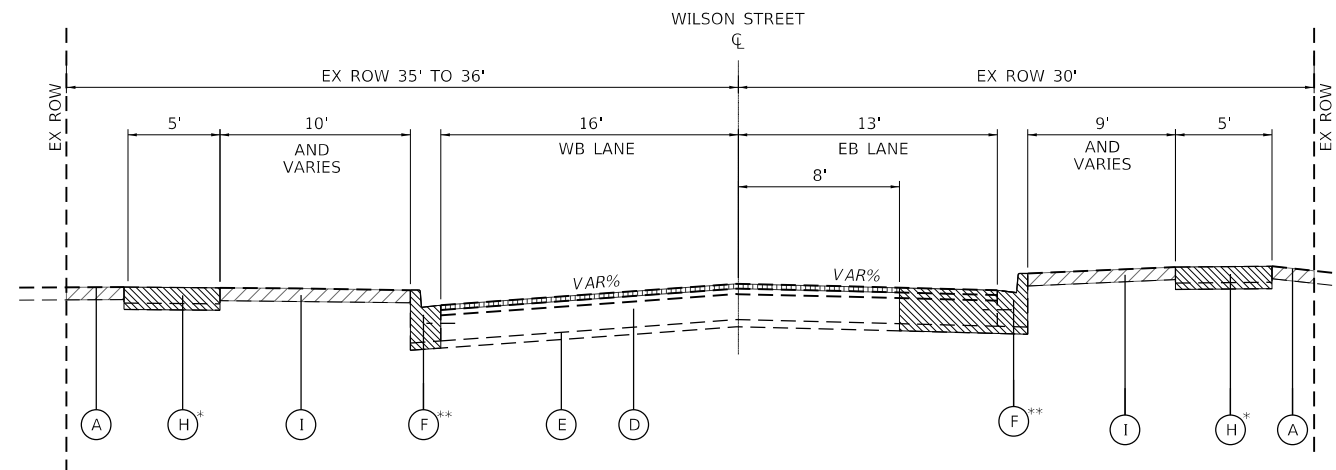


EXISTING TYPICAL SECTION NO. 4

***SIDEWALK REMOVAL**
 STA 93+60.7 TO STA 93+80.7, LT
 STA 93+89.8 TO STA 94+16.8, LT
 STA 94+70.7 TO STA 95+19.6, LT
 STA 94+70.7 TO STA 95+19.6, RT

WILSON STREET
 STA 92+11.61 TO STA 95+19.59

****CURB AND GUTTER REMOVAL**
 STA 94+45.8 TO STA 95+19.6, LT
 STA 92+42.5 TO STA 95+19.6, RT



EXISTING TYPICAL SECTION NO. 5

***SIDEWALK REMOVAL**
 STA 95+57.2 TO STA 98+32.5, LT
 STA 98+69.6 TO STA 99+07.6, LT
 STA 100+01.0 TO STA 100+69.8, LT
 STA 95+49.8 TO STA 96+84.8, RT

WILSON STREET
 STA 95+19.59 TO STA 97+08.06, LT
 STA 95+19.59 TO STA 96+41.74, RT
 (RAILROAD OMISSION)
 STA 97+37.63 TO STA 100+75.00, LT
 STA 96+71.13 TO STA 100+75.00, RT

****CURB AND GUTTER REMOVAL**
 STA 95+54.5 TO STA 97+08.1, LT
 STA 97+41.1 TO STA 97+70.7, LT
 STA 98+64.3 TO STA 99+08.7, LT
 STA 100+01.1 TO STA 100+75.0, LT
 STA 97+47.9 TO STA 100+14.3, RT

EXISTING LEGEND

- (A) EX GROUND
- (B) EX PAVEMENT - PRAIRIE STREET (SEE NOTE 1)
 1 1/2" - HMA PAVEMENT
 6 1/4" - HMA BASE COURSE
 12" - AGGEGATE SUBGRADE IMPROVEMENT
- (C) EX PAVEMENT - PRAIRIE STREET (SEE NOTE 1)
 2 3/4" - 3" - HMA PAVEMENT
 8" - PC CONCRETE BASE
- (D) EX PAVEMENT - WILSON STREET (SEE NOTE 2)
 3 1/4" - 7 3/4" (5 1/2" AVG) HMA PAVEMENT
 8" - PC CONCRETE BASE
- (E) EX AGGREGATE BASE COURSE (2 1/2" NOMINAL THICKNESS)
- (F) EX PC CONCRETE CURB & GUTTER TYPE B6.12
- (G) EX PC CONCRETE CURB & GUTTER TYPE M3.12
- (H) EX PCC SIDEWALK 5" / AGGREGATE BASE
- (I) EX TOPSOIL - 8" (Per SGR)

REMOVAL LEGEND

- REMOVALS:
 PAVEMENTS
 CURB AND GUTTER
 AGGREGATE BASE
 SIDEWALKS
- TOPSOIL STRIPPING
 (REMOVAL AND DISPOSAL OF UNSUITABLE MATERIAL)
- HMA SURFACE REMOVAL - 1 1/2"

EXISTING PAVEMENT NOTES

1. INFORMATION ON PRAIRIE STREET PAVEMENT STRUCTURE THICKNESS WAS TAKEN FROM INFORMATION DOCUMENTED BY CHICAGO TESTING LABORATORY IN THE "ROADWAY GEOTECHNICAL REPORT" DATED NOVEMBER 3, 2017 AND AS-BUILT PLANS DATED MARCH 6, 2020 PREPARED BY CRAWFORD, MURPHY & TILLY FOR SECTION 16-00086-00-FP.
2. INFORMATION ON WILSON STREET PAVEMENT STRUCTURE THICKNESS WAS TAKEN FROM AS-BUILT PLANS DATED JUNE 12, 2009 AND PAVEMENT CORES TAKEN IN DECEMBER 2021 BY THE CITY OF BATAVIA.
3. IT SHALL BE THE RESPONSIBILITY OF THE CONTRACTOR TO VERIFY THE THICKNESS OF PAVEMENTS TO BE REMOVED AND THE EXTENT TO WHICH THEY MAY BE REINFORCED (IF APPLICABLE).

TRANSYSTEMS
 1475 EAST WOODFIELD ROAD, SUITE 600
 SCHAUMBURG, ILLINOIS 60173
 (847) 605-9600

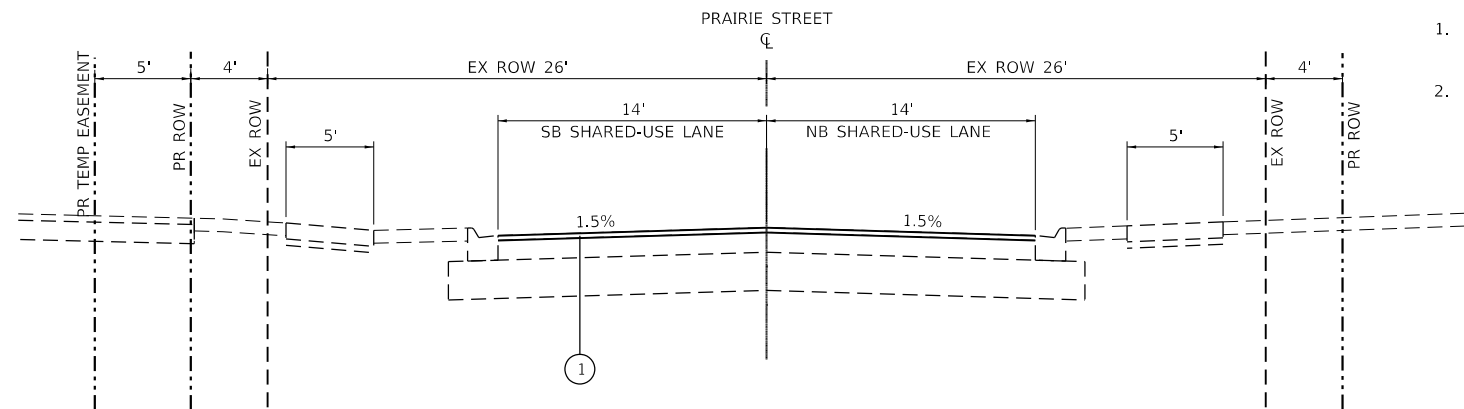
FILE NAME = 200002-sht-Typical.01.dgn	USER NAME = sbpottorff	DESIGNED - SBP	REVISED -
Default	PLOT SCALE = 10.0000' / in.	DRAWN - BMS	REVISED -
	PLOT DATE = 2/15/2023	CHECKED - JLJ	REVISED -
		DATE - 2/15/2023	REVISED -

**STATE OF ILLINOIS
 DEPARTMENT OF TRANSPORTATION**

**PRAIRIE STREET AT WILSON STREET INTERSECTION IMPROVEMENTS
 TYPICAL SECTIONS**

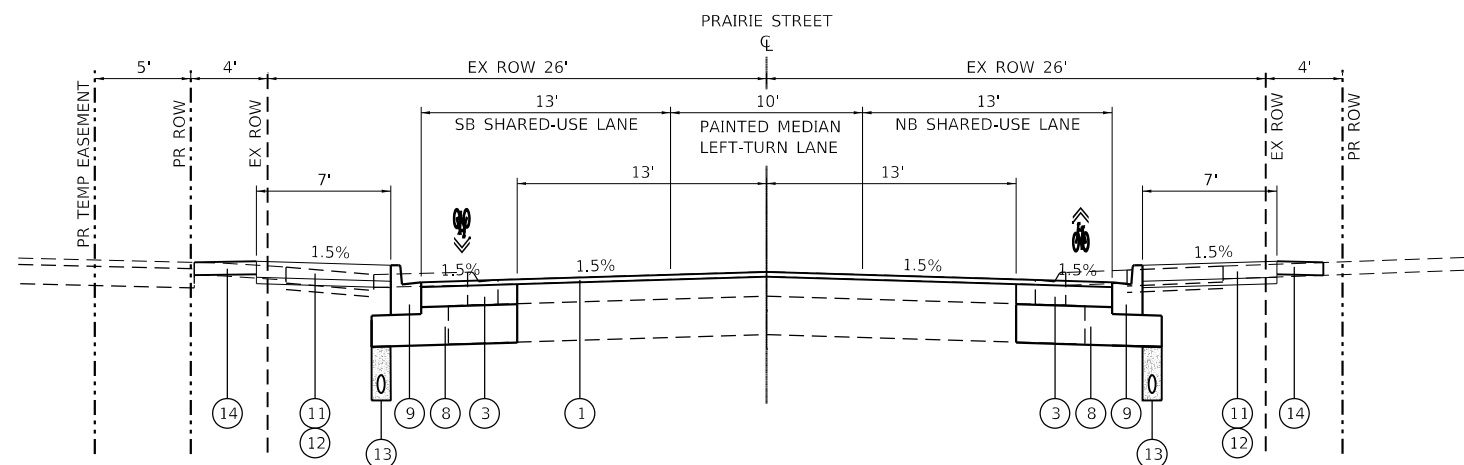
SCALE: NONE SHEET 2 OF 4 SHEETS STA. TO STA.

F.A.U. RTE.	SECTION	COUNTY	TOTAL SHEETS	SHEET NO.
2511	16-00086-01-FP	KANE	169	21
CONTRACT NO. 61J35				
ILLINOIS FED. AID PROJECT				



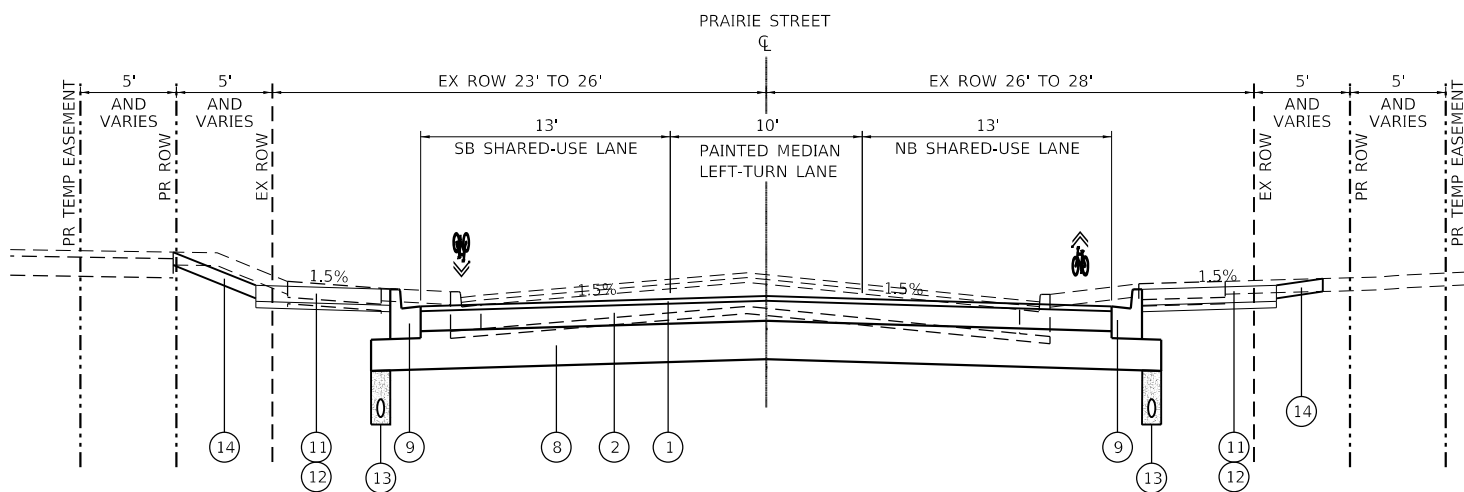
PROPOSED TYPICAL SECTION NO. 1

PRAIRIE STREET
 STA 118+73.97 TO STA 119+95.85, LT
 STA 118+73.97 TO STA 118+97.05, RT



PROPOSED TYPICAL SECTION NO. 2

PRAIRIE STREET
 STA 119+95.85 TO STA 120+65.00, LT
 STA 119+97.05 TO STA 120+65.00, RT



PROPOSED TYPICAL SECTION NO. 3

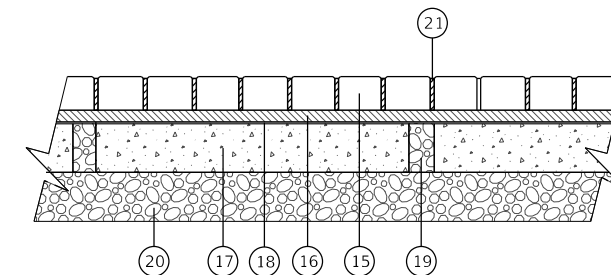
PRAIRIE STREET
 STA 120+65.00 TO STA 123+31.64, LT
 STA 120+65.00 TO STA 123+63.14, RT
 (RAILROAD OMISSION)
 STA 123+59.80 TO STA 124+27.83, LT
 STA 123+79.05 TO STA 124+34.57, RT

LONGITUDINAL JOINT SEALANT IS REQUIRED AT THE FOLLOWING LOCATIONS:

- FOR FULL-DEPTH HMA PAVEMENTS, THE LONGITUDINAL JOINT SEALANT SHALL BE PLACED UNDER THE SURFACE LIFT AT ALL PAVING LANES.
- ON MILLED SURFACES THE LONGITUDINAL JOINT SEALER SHALL BE PLACED OVER THE MILLED SURFACE.

PROPOSED LEGEND

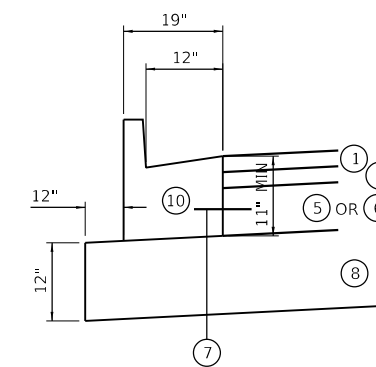
- ① 1 1/2" HMA SURFACE COURSE, MIX "D", IL-9.5, N70
- ② HMA BASE COURSE, 6 1/4"
- ③ HMA BASE COURSE WIDENING, 6 1/4"
- ④ HMA BINDER COURSE, IL-19.0, N70 (VAR 2 1/4" TO 6"), 2 1/4" MIN.
- ⑤ PCC BASE COURSE (VAR DEPTH)
- ⑥ PCC BASE COURSE WIDENING (VAR DEPTH)
- ⑦ TIE BARS, #6
- ⑧ AGGREGATE SUBGRADE IMPROVEMENT, 12"
- ⑨ COMBINATION CONCRETE CURB & GUTTER, TYPE B6.12
- ⑩ COMBINATION CONCRETE CURB & GUTTER, TYPE B6.12 (SPECIAL)
- ⑪ PORTLAND CEMENT SIDEWALK (SPECIAL)
 5" - RESIDENTIAL WALKWAYS
 6" - THRU RESIDENTIAL DRIVEWAYS
 8" - THRU COMMERCIAL DRIVEWAYS
- ⑫ AGGREGATE BASE COURSE, TYPE B (NOT MEASURED FOR PAYMENT)
 2" - UNDER RESIDENTIAL WALKWAYS
 6" - UNDER HMA DRIVEWAYS
 4" - UNDER PCC RESIDENTIAL DRIVEWAYS
 4" - UNDER PCC COMMERCIAL DRIVEWAYS
- ⑬ PIPE UNDERDRAIN, TYPE 2, 4"
- ⑭ 4" TOPSOIL PLACEMENT



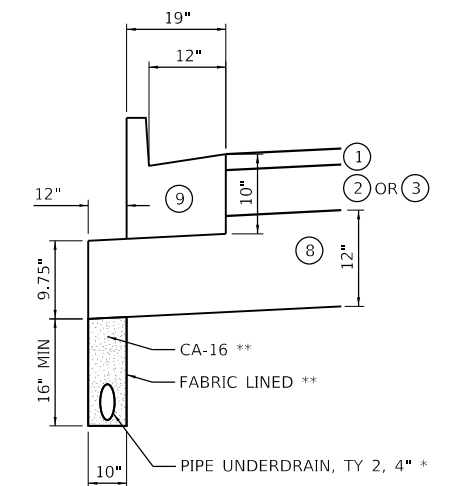
PEDESTRIAN WALKWAY - BRICK PAVERS

PRAIRIE STREET AND WILSON STREET INTERSECTION
 * ITEMS 15 THRU 21 ARE INCLUDED IN THE COST OF BRICK PAVERS.

- ⑮ BRICK PAVER (ASTM C-902)
- ⑯ SAND CUSHION, 1"
- ⑰ PC CONCRETE BASE COURSE, 4"
- ⑱ FILTER FABRIC
- ⑲ 2" DRAIN HOLES
- ⑳ SUBBASE GRANULAR MATERIAL TYPE C, 4"
- ㉑ JOINTING SAND



**CCC&G, TYPE B-6.12 (SPECIAL)
 ADJACENT TO PCC BASE COURSE**



**CCC&G, TYPE B-6.12 W/UNDERDRAIN
 ADJACENT TO HMA PAVEMENT**

- * PERFORATED CORRUGATED PE PIPE W/SMOOTH INTERIOR
- ** INCLUDED IN THE COST OF "PIPE UNDERDRAIN, TYPE 2, 4."

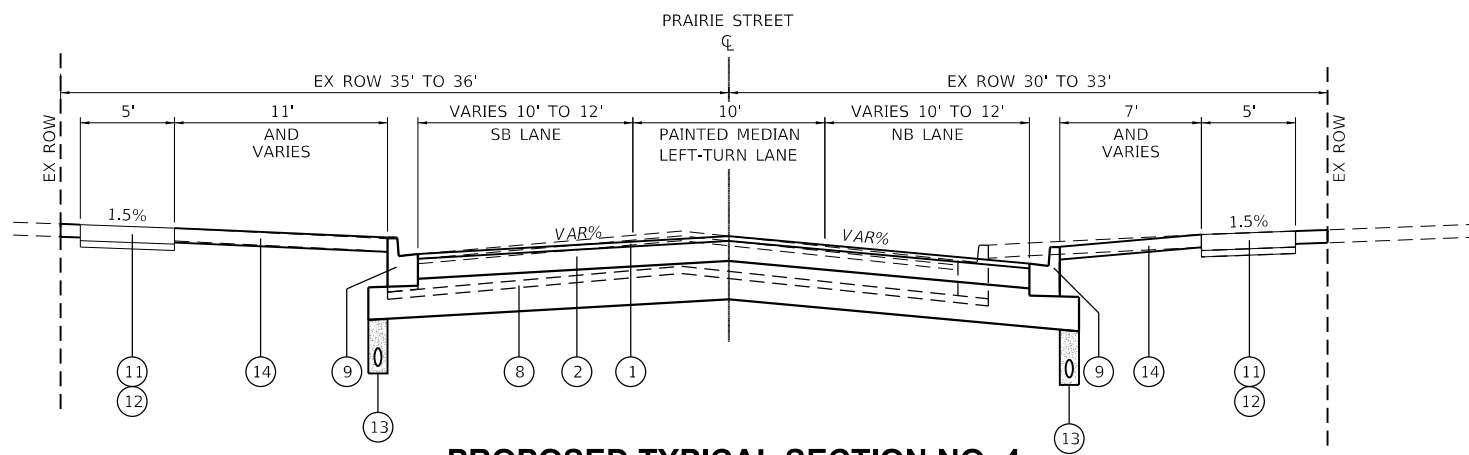
FILE NAME = 200002-sht-Typical.01.dgn	USER NAME = sbpottorff	DESIGNED - SBP	REVISED -
Default		DRAWN - BM5	REVISED -
	PLOT SCALE = 10.0000' / in.	CHECKED - JLJ	REVISED -
	PLOT DATE = 2/15/2023	DATE - 2/15/2023	REVISED -

**STATE OF ILLINOIS
 DEPARTMENT OF TRANSPORTATION**

**PRAIRIE STREET AT WILSON STREET INTERSECTION IMPROVEMENTS
 TYPICAL SECTIONS**

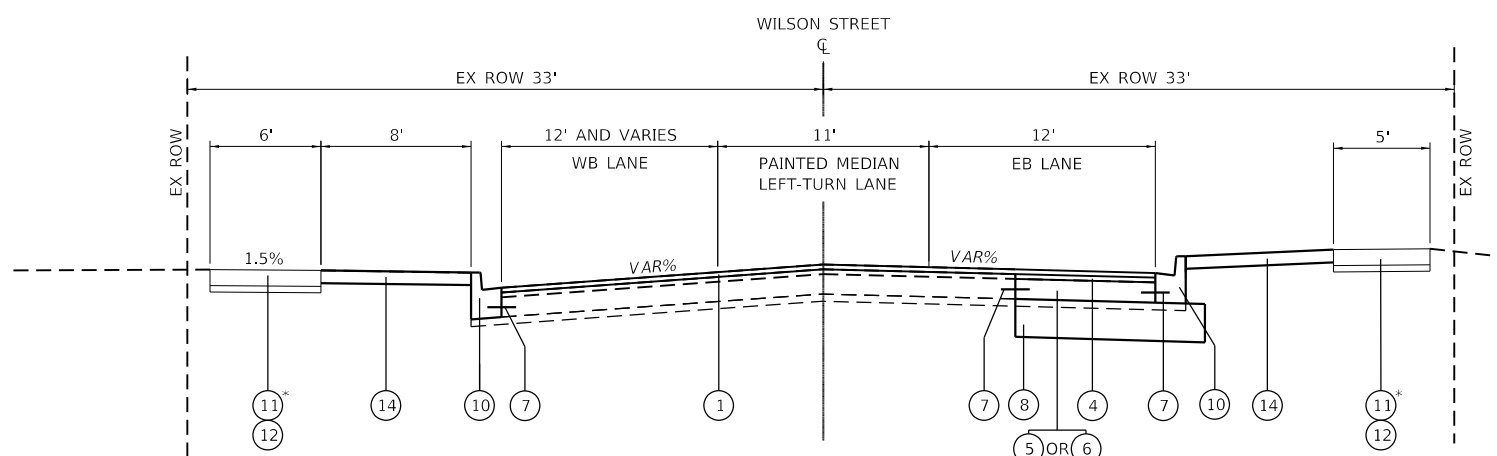
SCALE: NONE SHEET 3 OF 4 SHEETS STA. TO STA.

F.A.U. RTE.	SECTION	COUNTY	TOTAL SHEETS	SHEET NO.
2511	16-00086-01-FP	KANE	169	22
CONTRACT NO. 61J35				
ILLINOIS FED. AID PROJECT				



PROPOSED TYPICAL SECTION NO. 4

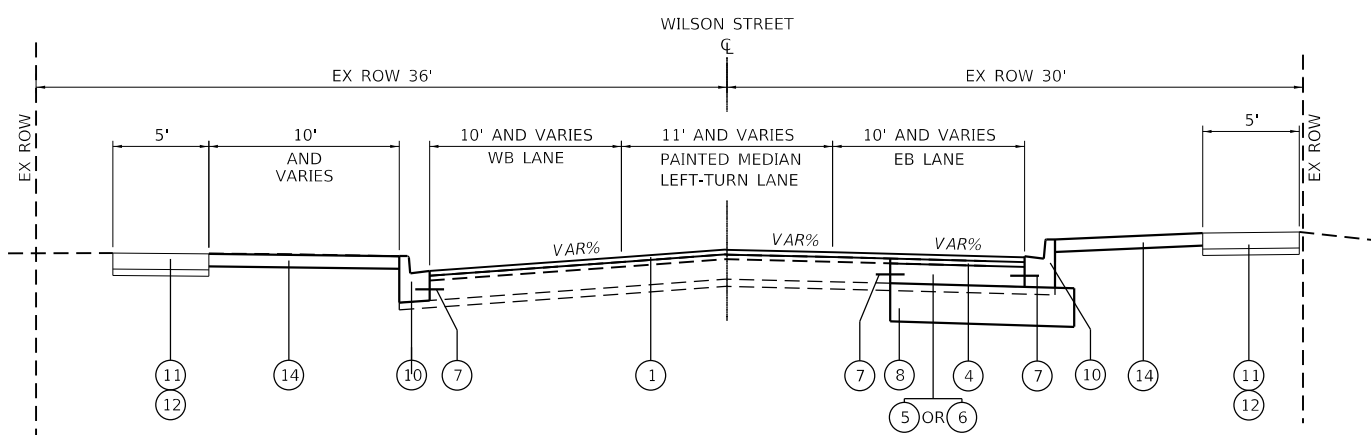
PRAIRIE STREET
 STA 124+68.96 TO STA 126+67.06



PROPOSED TYPICAL SECTION NO. 5

WILSON STREET
 STA 92+11.61 TO STA 95+19.59
 (INTERSECTION OMISSION)
 STA 95+19.59 TO STA 95+39.14

***PCC SIDEWALK, SPECIAL**
 STA 93+60.7 TO STA 93+80.7, LT
 STA 93+89.8 TO STA 94+16.8, LT
 STA 94+70.7 TO STA 94+75.7, LT
 STA 94+70.7 TO STA 95+19.6, RT



PROPOSED TYPICAL SECTION NO. 6

WILSON STREET
 STA 95+39.14 TO STA 97+08.06, LT
 STA 95+39.14 TO STA 96+41.74, RT
 (RAILROAD OMISSION)
 STA 97+37.63 TO STA 100+75.00
 STA 96+71.13 TO STA 100+75.00

***PCC SIDEWALK, SPECIAL**
 STA 95+93.0 TO STA 96+81.3, LT
 STA 97+06.1 TO STA 97+75.6, LT
 STA 97+81.4 TO STA 98+32.5, LT
 STA 98+69.6 TO STA 97+07.6, LT
 STA 100+01.0 TO STA 100+69.8, LT
 STA 95+88.4 TO STA 96+08.8, RT
 STA 96.15.5 TO STA 96+84.8, RT

PROPOSED LEGEND

- 1 1 1/2" HMA SURFACE COURSE, MIX "D", IL-9.5, N70
- 2 HMA BASE COURSE, 6 1/4"
- 3 HMA BASE COURSE WIDENING, 6 1/4"
- 4 HMA BINDER COURSE, IL-19.0, N70 (VAR 2 1/4" TO 6"), 2 1/4" MIN.
- 5 PCC BASE COURSE (VAR DEPTH)
- 6 PCC BASE COURSE WIDENING (VAR DEPTH)
- 7 TIE BARS, #6
- 8 AGGREGATE SUBGRADE IMPROVEMENT, 12"
- 9 COMBINATION CONCRETE CURB & GUTTER, TYPE B6.12
- 10 COMBINATION CONCRETE CURB & GUTTER, TYPE B6.12 (SPECIAL)
- 11 PORTLAND CEMENT SIDEWALK (SPECIAL)
 5" - RESIDENTIAL WALKWAYS
 6" - THRU RESIDENTIAL DRIVEWAYS
 8" - THRU COMMERCIAL DRIVEWAYS
- 12 AGGREGATE BASE COURSE, TYPE B (NOT MEASURED FOR PAYMENT)
 2" - UNDER RESIDENTIAL WALKWAYS
 6" - UNDER HMA DRIVEWAYS
 4" - UNDER PCC RESIDENTIAL DRIVEWAYS
 4" - UNDER PCC COMMERCIAL DRIVEWAYS
- 13 PIPE UNDERDRAIN, TYPE 2, 4"
- 14 4" TOPSOIL PLACEMENT

HOT-MIX ASPHALT MIXTURE REQUIREMENTS

ITEM	AIR VOIDS @ Ndes	QMP
PRAIRIE STREET RECONSTRUCTION		
HOT-MIX ASPHALT SURFACE COURSE, MIX "D", IL-9.5, N70, 1 1/2"	4% @ 70 GYR.	LR 1030-2
HOT-MIX ASPHALT BASE COURSE (HMA BINDER IL 19.0), 6 1/4"	4% @ 70 GYR.	LR 1030-2
PRAIRIE STREET WIDENING		
HOT-MIX ASPHALT SURFACE COURSE, MIX "D", IL-9.5, N70, 1 1/2"	4% @ 70 GYR.	LR 1030-2
HOT-MIX ASPHALT BASE COURSE WIDENING (HMA BINDER IL 19.0) 6 1/4"	4% @ 70 GYR.	LR 1030-2
PRAIRIE STREET & WILSON STREET RESURFACING - 1 1/2"		
HOT-MIX ASPHALT SURFACE COURSE, MIX "D", IL-9.5, N70	4% @ 70 GYR.	LR 1030-2
HMA DRIVEWAY PAVEMENT - 3" (PE)		
HOT-MIX ASPHALT SURFACE COURSE, MIX "D", IL-9.5, N50 (IN 2 LIFTS)	4% @ 50 GYR.	LR 1030-2
HMA DRIVEWAY PAVEMENT - 8" (CE)		
HOT-MIX ASPHALT SURFACE COURSE, MIX "D", IL-9.5, N50	4% @ 50 GYR.	LR 1030-2
HOT-MIX ASPHALT BINDER COURSE, IL-19.0, N50	4% @ 50 GYR.	LR 1030-2
TEMPORARY PAVEMENT (VARIABLE DEPTH)		
HOT-MIX ASPHALT SURFACE COURSE, IL-9.5, N70, (1 1/2" - 3 3/4")	4% @ 70 GYR.	LR 1030-2
HMA PATCHING		
CLASS D PATCHES (HMA BINDER IL-19.0mm)	4% @ 70 GYR.	LR 1030-2
HMA REPLACEMENT OVER PATCHES		
HOT-MIX ASPHALT BINDER, IL-19.0, N70, (3 3/4" - 7 1/2")	4% @ 70 GYR.	LR 1030-2
HMA BINDER COURSE OVER PCC BASE COURSE & PCC BASE COURSE WIDENING		
HOT-MIX ASPHALT BINDER, IL-19.0, N70, (3 3/4" - 7 1/2")	4% @ 70 GYR.	LR 1030-2

QMP DESIGNATION: QUALITY CONTROL / QUALITY ASSURANCE (QC/QA) PER LR-1030-2.

THE UNIT WEIGHT USED TO CALCULATE ALL HOT-MIX ASPHALT SURFACE MIXTURE QUANTITIES IS 112 LB/SQ YD/IN.

THE "AC TYPE" FOR POLYMERIZED HMA MIXES SHALL BE "SBS/SBR PG 76-22" AND FOR NON-POLYMERIZED HMA THE "AC TYPE" SHALL BE "PG 64-22" UNLESS MODIFIED BY RECLAIMED MATERIAL SPECIFICATIONS.

LONGITUDINAL JOINT SEALANT IS REQUIRED AT THE FOLLOWING LOCATIONS:

- FOR FULL-DEPTH HMA PAVEMENTS, THE LONGITUDINAL JOINT SEALANT SHALL BE PLACED UNDER THE SURFACE LIFT AT ALL PAVING LANES.
- ON MILLED SURFACES THE LONGITUDINAL JOINT SEALER SHALL BE PLACED OVER THE MILLED SURFACE.

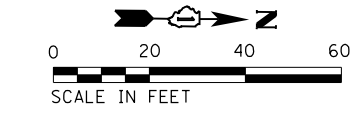
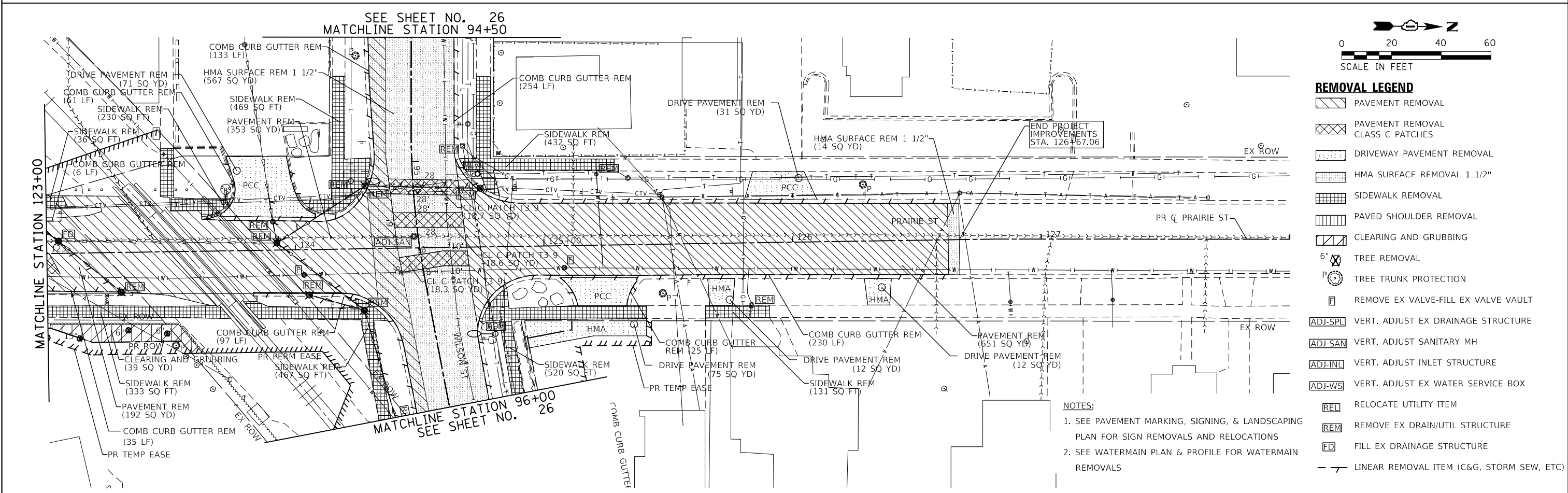
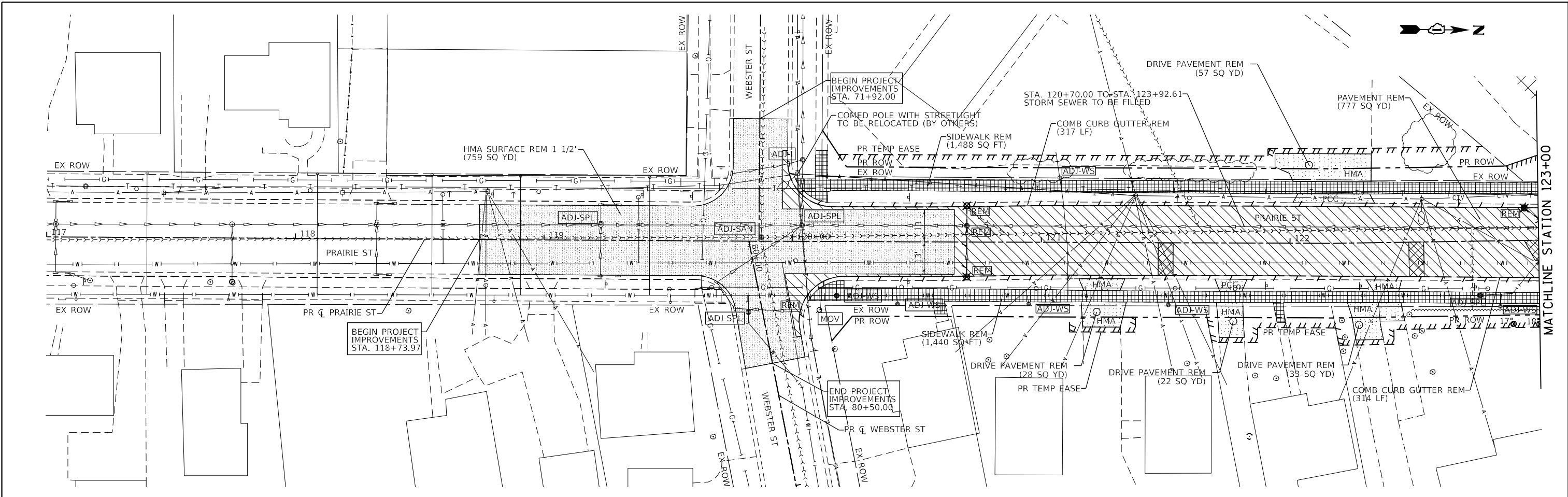
FILE NAME = 200002-sht-Typical.01.dgn	USER NAME = sbpottorff	DESIGNED - SBP	REVISED -
Default	PLOT SCALE = 10.0000' / in.	DRAWN - BMS	REVISED -
	PLOT DATE = 2/15/2023	CHECKED - JLV	REVISED -
		DATE - 2/15/2023	REVISED -

**STATE OF ILLINOIS
 DEPARTMENT OF TRANSPORTATION**

**PRAIRIE STREET AT WILSON STREET INTERSECTION IMPROVEMENTS
 TYPICAL SECTIONS**

SCALE: NONE SHEET 4 OF 4 SHEETS STA. TO STA.

F.A.U. RTE.	SECTION	COUNTY	TOTAL SHEETS	SHEET NO.
2511	16-00086-01-FP	KANE	169	23
CONTRACT NO. 61J35				
ILLINOIS FED. AID PROJECT				



- REMOVAL LEGEND**
- PAVEMENT REMOVAL
 - PAVEMENT REMOVAL CLASS C PATCHES
 - DRIVEWAY PAVEMENT REMOVAL
 - HMA SURFACE REMOVAL 1 1/2"
 - SIDEWALK REMOVAL
 - PAVED SHOULDER REMOVAL
 - CLEARING AND GRUBBING
 - 6" TREE REMOVAL
 - TREE TRUNK PROTECTION
 - REMOVE EX VALVE-FILL EX VALVE VAULT
 - ADJ-SPL VERT. ADJUST EX DRAINAGE STRUCTURE
 - ADJ-SAN VERT. ADJUST SANITARY MH
 - ADJ-INL VERT. ADJUST INLET STRUCTURE
 - ADJ-WS VERT. ADJUST EX WATER SERVICE BOX
 - REL RELOCATE UTILITY ITEM
 - REM REMOVE EX DRAIN/UTIL STRUCTURE
 - FD FILL EX DRAINAGE STRUCTURE
 - LINEAR REMOVAL ITEM (C&G, STORM SEW, ETC)

- NOTES:**
1. SEE PAVEMENT MARKING, SIGNING, & LANDSCAPING PLAN FOR SIGN REMOVALS AND RELOCATIONS
 2. SEE WATERMAIN PLAN & PROFILE FOR WATERMAIN REMOVALS

TRANSYSTEMS
 1475 EAST WOODFIELD ROAD, SUITE 600
 SCHAMBERG, ILLINOIS 60173
 (847) 605-9600

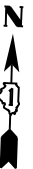
FILE NAME = sht-rem-01.dgn	USER NAME = sbpottorff	DESIGNED -	REVISED -
Default		DRAWN -	REVISED -
		CHECKED -	REVISED -
		DATE - 2/15/2023	REVISED -

**STATE OF ILLINOIS
 DEPARTMENT OF TRANSPORTATION**

**PRAIRIE STREET AT WILSON STREET INTERSECTION IMPROVEMENTS
 REMOVAL PLAN**

SCALE: 1" = 20' SHEET 1 OF 2 SHEETS STA. 117+00 TO STA. 128+00

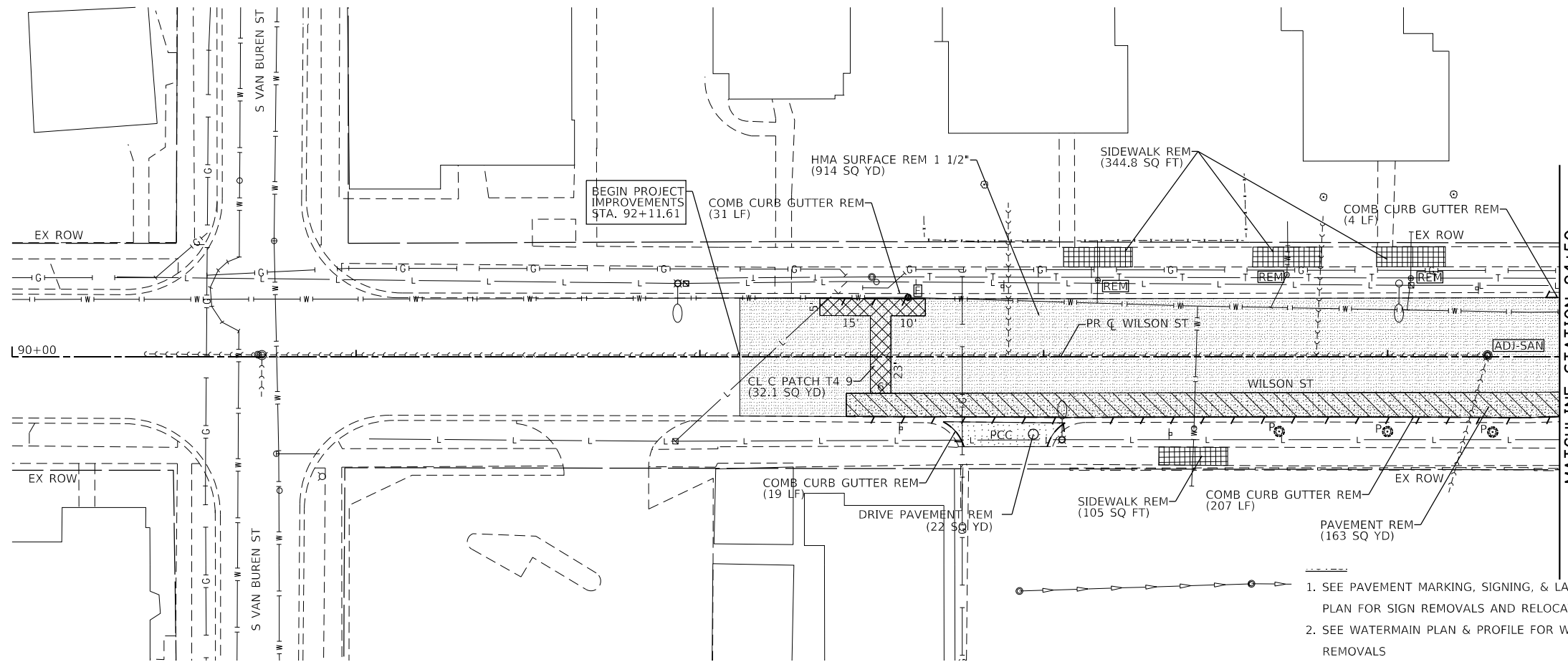
F.A.U. RTE. 2511	SECTION 16-00086-01-FP	COUNTY KANE	TOTAL SHEETS 169	SHEET NO. 25
CONTRACT NO. 61J35				
ILLINOIS FED. AID PROJECT				



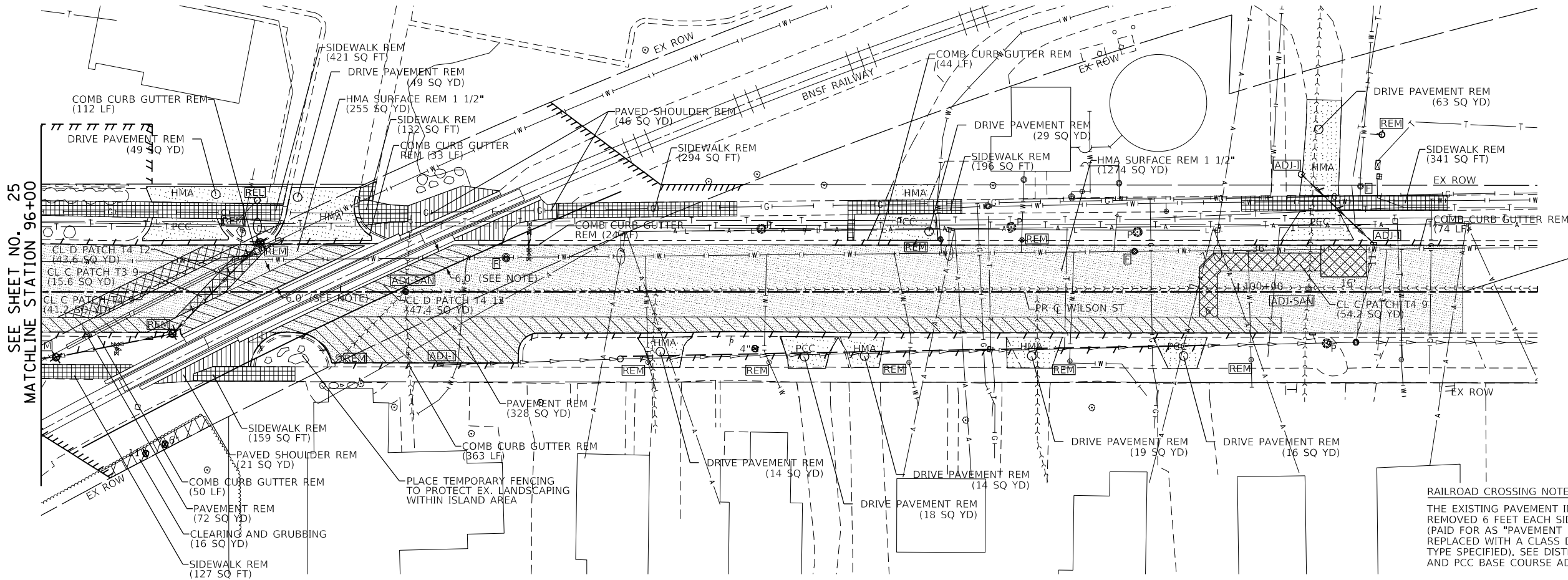
REMOVAL LEGEND

- PAVEMENT REMOVAL
- PAVEMENT REMOVAL CLASS C PATCHES
- DRIVEWAY PAVEMENT REMOVAL
- HMA SURFACE REMOVAL 1 1/2"
- SIDEWALK REMOVAL
- PAVED SHOULDER REMOVAL
- CLEARING AND GRUBBING
-
-
-
-
-
-
-
-
-
-
-

1. SEE PAVEMENT MARKING, SIGNING, & LANDSCAPING PLAN FOR SIGN REMOVALS AND RELOCATIONS
2. SEE WATERMAIN PLAN & PROFILE FOR WATERMAIN REMOVALS



MATCHLINE STATION 94+50
SEE SHEET NO. 25



SEE SHEET NO. 25
MATCHLINE STATION 96+00

END PROJECT IMPROVEMENTS STA. 100+75.00

RAILROAD CROSSING NOTES:
 THE EXISTING PAVEMENT INCLUDING THE PCC BASE COURSE SHALL BE REMOVED 6 FEET EACH SIDE OF THE PROPOSED RAILROAD CROSSING (PAID FOR AS "PAVEMENT REMOVAL"). THE PAVEMENT AREA SHALL BE REPLACED WITH A CLASS D PATCH (PAID AS "CLASS D PATCH" OF THE TYPE SPECIFIED). SEE DISTRICT ONE DETAIL BD56 (PCC PAVEMENT AND PCC BASE COURSE ADJACENT TO RAILROAD GRADE CROSSING).

TRANSYSTEMS
 1475 EAST WOODFIELD ROAD, SUITE 600
 SCHAMUNBURG, ILLINOIS 60173
 (847) 605-9600

FILE NAME =	USER NAME =	DESIGNED -	REVISED -
sht-rem-02.dgn	sbpottorff	DRAWN -	REVISED -
Default		CHECKED -	REVISED -
		DATE -	REVISED -
		2/15/2023	

**STATE OF ILLINOIS
 DEPARTMENT OF TRANSPORTATION**

**PRAIRIE STREET AT WILSON STREET INTERSECTION IMPROVEMENTS
 REMOVAL PLAN**

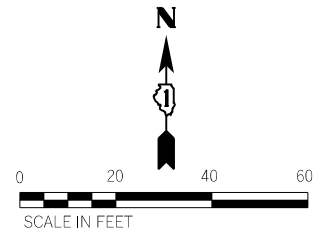
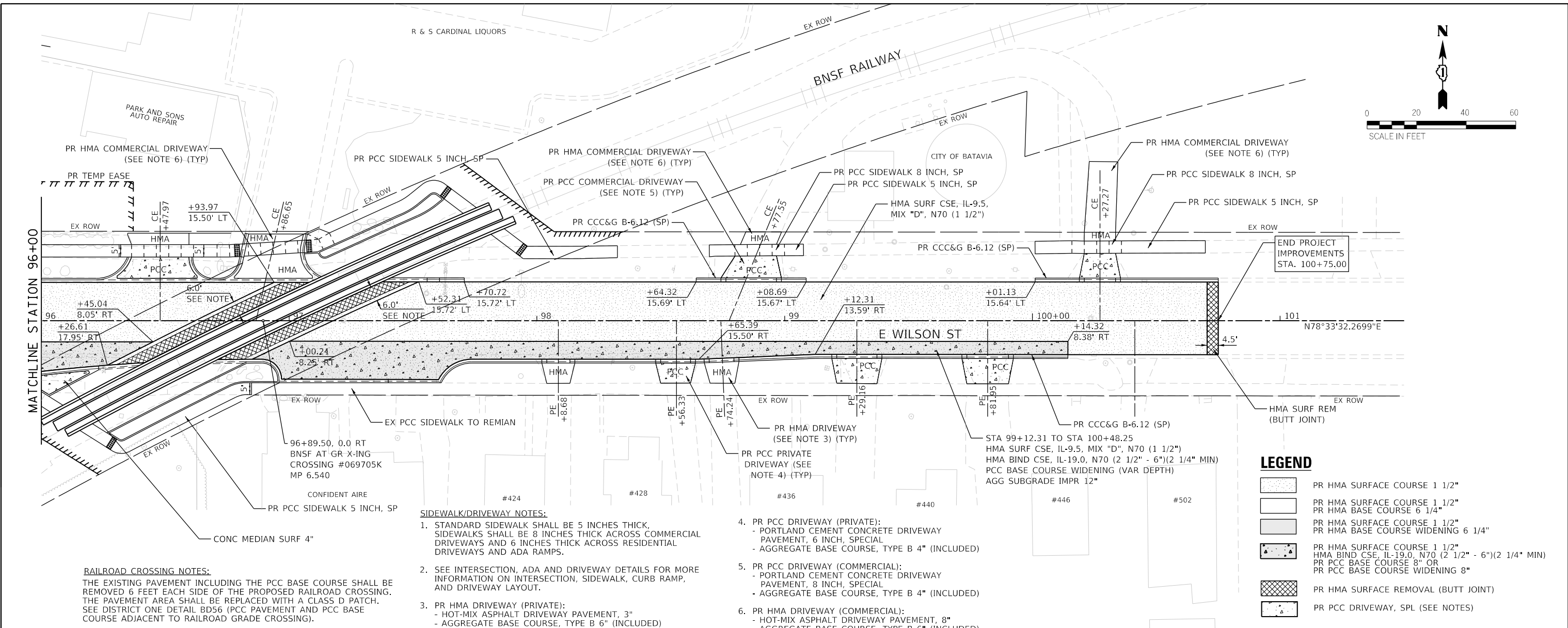
SCALE: 1" = 20' SHEET 2 OF 2 SHEETS STA. 90+00 TO STA. 111+00

F.A.U. RTE.	SECTION	COUNTY	TOTAL SHEETS	SHEET NO.
2511	16-00086-01-FP	KANE	169	26
CONTRACT NO. 61J35				
ILLINOIS FED. AID PROJECT				

DATE	
BY	
SURVEYED	
PLOTTED	
ALIGNED	
CHECKED	
FILE NAME	
NO.	
PLAN	
NOTE BOOK	

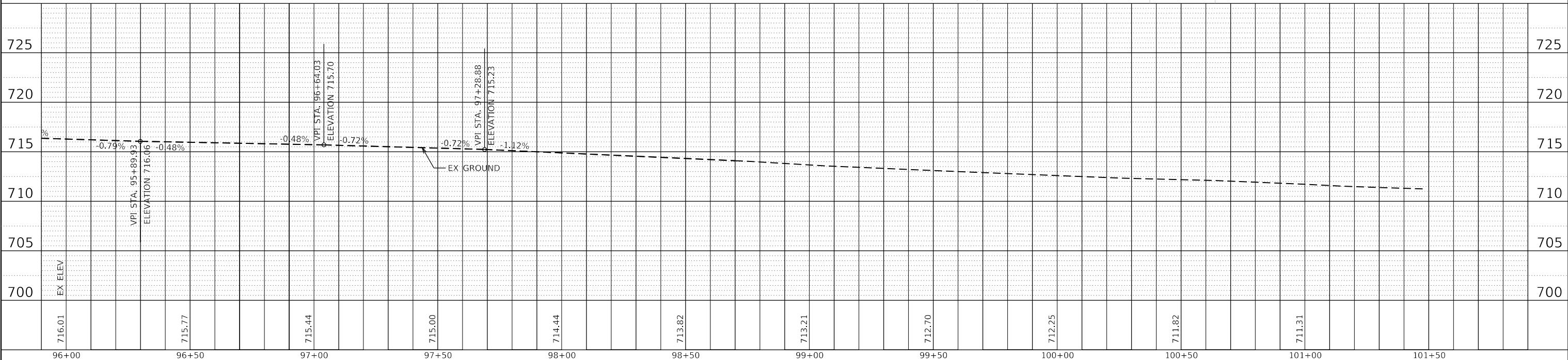
DATE	
BY	
SURVEYED	
PLOTTED	
GRADES CHECKED	
STRUCTURE	
NOT AT THIS OFFICE	
NO.	
PROFILE	
NOTE BOOK	

TRANSYSTEMS
 1475 EAST WOODFIELD ROAD, SUITE 600
 SCHAMUNBURG, ILLINOIS 60173
 (847) 605-9600



LEGEND

[Pattern]	PR HMA SURFACE COURSE 1 1/2"
[Pattern]	PR HMA SURFACE COURSE 1 1/2" PR HMA BASE COURSE 6 1/4"
[Pattern]	PR HMA SURFACE COURSE 1 1/2" PR HMA BASE COURSE WIDENING 6 1/4"
[Pattern]	PR HMA SURFACE COURSE 1 1/2" HMA BIND CSE, IL-19.0, N70 (2 1/2" - 6")(2 1/4" MIN) PR PCC BASE COURSE 8" OR PR PCC BASE COURSE WIDENING 8"
[Pattern]	PR HMA SURFACE REMOVAL (BUTT JOINT)
[Pattern]	PR PCC DRIVEWAY, SPL (SEE NOTES)



FILE NAME = sht-plnr-04.dgn	USER NAME = sbpottorff	DESIGNED - SBP	REVISED -	STATE OF ILLINOIS DEPARTMENT OF TRANSPORTATION	PRAIRIE STREET AT WILSON STREET INTERSECTION IMPROVEMENTS PLAN AND PROFILE	F.A.U. RTE. = 2511	SECTION = 16-00086-01-FP	COUNTY = KANE	TOTAL SHEETS = 169	SHEET NO. = 30		
Default	PLOT SCALE =	CHECKED - JLV	REVISED -			SCALE: 1" = 20'	SHEET 4 OF 4 SHEETS	STA. 96+00	TO STA. 101+50	CONTRACT NO. 61J35		
	PLOT DATE = 2/15/2023	DATE = 2/15/2023	REVISED -			ILLINOIS FED. AID PROJECT						

GENERAL NOTES

1. THE ENGINEER SHALL BE NOTIFIED IN WRITING AT LEAST 7 CALENDAR DAYS PRIOR TO THE DAY THE DETOUR IS TO BE IN EFFECT. THE CONTRACTOR SHALL CONTACT THE APPROPRIATE LOCAL AGENCIES AND INTERESTED PARTIES
2. ALL SIGNING SHALL BE IN ACCORDANCE WITH THE APPLICABLE PROVISIONS OF THE STANDARD SPECIFICATIONS. THE DETAILS IN THE PLANS, THE LATEST EDITION OF THE STATE OF ILLINOIS "MANUAL ON UNIFORM TRAFFIC CONTROL DEVICES." AND AS DIRECTED BY THE ENGINEER.
3. THE SIZES OF ALL SIGNS NOT SPECIFIED IN THESE PLANS SHALL BE AS REQUIRED BY THE FHWA "MANUAL ON UNIFORM TRAFFIC CONTROL DEVICES" AND ILLINOIS SUPPLEMENT.
4. THE CONTRACTOR SHALL PROVIDE THE ENGINEER WITH THE NAMES AND PHONE NUMBERS OF HIS REPRESENTATIVES ON THE CONSTRUCTION SITE, AND HIS/HER REPRESENTATIVE RESPONSIBLE FOR THE DETOUR SIGNING 7 CALENDAR DAYS PRIOR TO THE START OF WORK.
5. THE CONTRACTOR SHALL BE RESPONSIBLE FOR THE FIELD LOCATION OF ALL DETOUR AND CONSTRUCTION SIGNING. THE CONTRACTOR MAY REQUEST THE ENGINEER TO FIELD VERIFY THE POSITIONS OF ANY SIGNS.
6. ACTUAL LOCATIONS FOR SIGNING SHOWN ON THE STAGING PLANS MAY BE ADJUSTED TO FIT FIELD CONDITIONS.
7. ALL EXISTING SIGNING THAT IS NOT APPLICABLE WHILE THE STAGING PLANS ARE IN EFFECT SHALL BE COMPLETELY COVERED BY THE CONTRACTOR AS DIRECTED BY THE ENGINEER.
8. ALL STAGING PLAN SIGNING SHALL BE POST MOUNTED.
9. ALL STAGING SIGNING EXCEPT REGULATORY SIGNS SHALL HAVE BACK LEGENDS ON FLUORESCENT ORANGE SHEETING AND STANDARD BLACK BORDERS. THE FLUORESCENT ORANGE REFLECTIVE SHEETING SHALL MEET THE REQUIREMENTS OF ARTICLE 1106.01 OF THE STANDARD SPECIFICATIONS. ALL DETOUR SIGNING SHALL BE NEW OR IN LIKE- NEW CONDITION. THE ENGINEER SHALL BE THE SOLE JUDGE OF THE CONDITION OF THE SIGNS.
10. THE ROAD NAME SIGN SHALL BE A BLACK LEGEND ON ORANGE REFLECTIVE SHEETING. THE SIGN BLANK SHALL BE VARIABLE WITH DESIGN SERIES B LETTERS. THE CAPITAL LETTERS SHALL BE 6 INCHES.
11. AT A MINIMUM, ALL AMBER FLASHING LIGHTS THAT ARE REQUIRED FOR THE STAGING SIGNING SHALL MEET THE REQUIREMENTS FOR THE TYPE A-LOW INTENSIFY FLASHING LIGHTS IN ARTICLE 1106.02 OF THE STANDARD SPECIFICATIONS. ALL LIGHTS SHALL OPERATE DURING HOURS OF DARKNESS.
12. THE CONTRACTOR SHALL BE RESPONSIBLE FOR ENSURING THAT ALL BARRICADES, SIGNS, LIGHTS, AND OTHER DEVICES INSTALLED BY HIM ARE IN PLACE AND OPERATING 24 HOURS EACH DAY, INCLUDING SUNDAYS AND HOLIDAYS.
13. TYPE III BARRICADES SHALL BE USED AT POINTS OF CLOSURE TO THRU TRAFFIC ONLY AND SHALL NOT EXCEED 8 FEET IN WIDTH EACH FOR A SINGLE APPROACH LINE. ALL BARRICADES AT THESE LOCATIONS SHALL HAVE REFLECTORIZED STRIPING ON THE BACK SIDES OF THE BARRICADES.
14. CONSTRUCTION EQUIPMENT SHALL NOT BE PARKED IMMEDIATELY BEHIND THE TYPE III BARRICADES DURING NON-WORKING HOURS. ARTICLE 701.11 OF THE STANDARD SPECIFICATIONS SHALL APPLY.
15. DURING NON-WORKING HOURS THE CONTRACTOR SHALL PROVIDE A MEANS TO RESTRAIN THE TYPE III BARRICADES FROM MOVEMENT. THE CHOSEN METHOD SHALL BE APPROVED BY THE ENGINEER.
16. THE CONTRACTOR SHALL BE RESPONSIBLE FOR MAINTAINING THE VISIBILITY OF ALL CONSTRUCTION SIGNS, INCLUDING BRUSHING BACK VEGETATION IF DEEMED NECESSARY BY THE ENGINEER.
17. THE ENGINEER SHALL BE NOTIFIED AT LEAST 24 HOURS BEFORE THE ROAD IS TO BE REOPENED TO TRAFFIC. THE CONTRACTOR WILL CONTACT THE APPROPRIATE LOCAL AGENCIES AND INTERESTED PARTIES.
18. THE COST OF THE CONSTRUCTION SIGNING, INCLUDING DETOUR SIGNING (IF APPLICABLE) SHALL BE INCLUDED IN THE SINGLE UNIT PRICE PER EACH FOR "TRAFFIC CONTROL AND PROTECTION, (SPECIAL).

CONSTRUCTION SEQUENCE

THIS CONSTRUCTION SEQUENCE WAS DEVELOPED TO MINIMIZE DISRUPTION TO LOCAL TRAFFIC AND ACCESS TO PROPERTY OWNERS' DRIVEWAYS. THIS CONSTRUCTION SEQUENCE SHALL BE FOLLOWED UNLESS ALTERNATIVE SEQUENCE IS APPROVED BY THE ENGINEER.

PRE STAGE

1. SETUP ADVANCED MESSAGE BOARD TO WARN THE MOTORING PUBLIC OF THE PENDING CONSTRUCTION AND CHANGES TO TRAFFIC CONDITIONS. SEE SPECIAL PROVISIONS FOR THE DURATION.

STAGE 1, YEAR 1

1. SETUP STAGE 1, YEAR 1 TRAFFIC CONTROL PLAN. SETUP NORTHBOUND DETOUR FOR PRAIRIE STREET. INSTALL THE PROPOSED WATERMAIN, SERVICES AND APPURTENANCES. CONTRACTOR SHALL ENSURE ACCESS IS MAINTAINED TO ALL DRIVEWAYS AT ALL TIMES DURING THIS STAGE

WATERMAIN WORK

1. SEE WATERMAIN SEQUENCE OF CONSTRUCTION SHEET FOR DETAILED CONSTRUCTION OPERATION FOR THE WATERMAIN.
2. CONSTRUCT PROPOSED WATERMAIN IN ITS ENTIRETY.
3. PERFORM NON-PRESSURE CONNECTION ON EXISTING MAIN AT THE EAST EXTENT OF WATER MAIN
4. CONSTRUCTION. THIS WILL BE THE POINT SOURCE FOR FILLING THE NEW WATERMAIN.
5. COMPLETE PRESSURE TESTING, BIOLOGICAL TESTING, AND DISINFECTION OF ALL INSTALLED NEW MAINS.
6. COMPLETE PROPOSED SERVICE CONNECTIONS. SERVICE CONNECTIONS ON THE OPPOSITE SIDE OF THE STREET SHALL BE DIRECTIONALLY DRILLED UNDER THE STREET.
7. ONCE ALL SERVICE CONNECTIONS HAVE BEEN MADE, THE EXISTING WATER MAIN, VALVES AND SERVICES SHALL BE ABANDONED.

ROADWAY WORK

1. IN AREAS OF WATERMAIN CONSTRUCTION, CONSTRUCT THE CURB & GUTTER, BASE COURSE, HMA AND PCC PAVEMENTS, PATCHES, HMA BINDER OR HMA REPLACEMENT OVER PATCHES, AND RESTORATION.
2. WHEN PCC BASE OR BASE COURSE WIDENING IS CONSTRUCTED HMA BINDER SHALL BE PLACED OVER THE PCC PAVEMENT TO MATCH EXISTING SURFACE ELEVATION.
3. WHEN CLASS C PATCHES ARE REQUIRED FOR CROSS TRENCH CROSSINGS HMA BINDER SHALL BE PLACED AS HMA REPLACEMENT OVER PATCHES.
4. IN AREAS WHERE THE PERMANENT PAVEMENT CANNOT BE COMPLETED CONSTRUCT CLASS D PATCHES.

RAILROAD IMPROVEMENTS

1. CONTRACTOR SHALL COORDINATE WITH THE RAILROAD TO INSTALL PROPOSED RAILROAD CROSSINGS, SIGNALS AND GATES

WINTER SHUTDOWN

1. COMPLETE RESTORATION OF ALL DISTURBED AREAS.
2. RESTORE ALL PAVEMENT MARKINGS TO ORIGINAL LANE CONFIGURATION (USE THERMOPLASTIC).
3. REMOVE DETOUR AND STAGE 1, YEAR 1 TRAFFIC CONTROL.
4. COVER OR REMOVED ADVANCED CONSTRUCTION WORK SIGNS.
5. REMOVE TEMPORARY EROSION CONTROL ITEMS.
6. CLEAN PAVEMENT AND WORK SITE.
7. OPEN ALL LANES OF TRAFFIC TO ORIGNAL TRAFFIC PATTERNS.

STAGE 1, YEAR 2

1. SETUP STAGE 1, YEAR 2 TRAFFIC CONTROL PLAN.
2. SETUP SOUTHBOUND DETOUR FOR PRAIRIE STREET.
3. CONTRACTOR SHALL ENSURE ACCESS IS MAINTAINED TO ALL DRIVEWAYS AT ALL TIMES DURING THIS STAGE

STORM SEWER WORK

1. INSTALL PROPOSED STORM SEWER, LATERAL AND DRAINAGE STRUCTURES. IF TRENCHING IS REQUIRED BEYOND THE LIMITS OF STAGING IN ORDER TO MAKE THE STORM SEWER CONNECTION TRAFFIC SHALL BE CHANNELIZED TO THE APPROPRIATE SIDE OF THE ROAD DURING THIS WORK. IF TRAFFIC SHIFT IS NOT POSSIBLE CONTRACTOR SHALL COORDINATE WITH THE ENGINEER FOR A DAYTIME CLOSURE. OPEN TRENCHES MAY BE PLATED UNTIL PATCHES CAN BE INSTALLED.

ROADWAY WORK

1. CONSTRUCT CURB & GUTTER, AGGREGATE BASE COURSE, HMA AND PCC PAVEMENTS. ONLY CONSTRUCT BINDER ON PRAIRIE STREET FROM WEBSTER STREET TO SOUTH SIDE OF WILSON STREET AND NORTH SIDE OF WILSON STREET TO END OF PROJECT LIMITS.
2. WHEN PCC BASE OR PCC BASE COURSE WIDENING IS CONSTRUCTED HMA BINDER SHALL BE PLACED OVER THE PCC PAVEMENT TO MATCH EXISTING SURFACE ELEVATION.
3. WHEN CLASS C PATCHES ARE REQUIRED FOR CROSS TRENCH CROSSINGS HMA BINDER SHALL BE PLACED AS HMA REPLACEMENT OVER PATCHES.
4. IN AREAS WHERE THE PERMANENT PAVEMENT CANNOT BE COMPLETED CONSTRUCT CLASS D PATCHES.
5. CONSTRUCT ADA IN THE SW, NW AND NE CORNERS OF WILSON STREET AND PRAIRIE STREET.

TRAFFIC SIGNALS

1. CONSTRUCT TRAFFIC SIGNALS IN THE SW, NW AND NE CORNERS OF WILSON STREET AND PRAIRIE STREET.

DRIVEWAY ACCESS

ACCESS TO DRIVEWAYS SHALL BE PROVIDED AT THE END OF EACH WORK DAY EXCEPT WHEN CURB AND GUTTER IS INSTALLED. ACCESS TO DRIVEWAYS SHALL NOT BE RESTRICTED FOR MORE THAN TWO WEEKS IN TOTAL DURING CONSTRUCTION. WHEN DRIVEWAYS REQUIRE CLOSURE, CONTRACTOR WILL COORDINATE THE WORK WITH EACH AFFECTED RESIDENT. CONTRACTOR SHALL KEEP CLEAR AND PROVIDE ACCESS TO A LOCATION WITHIN THE WORK ZONE FOR AFFECTED RESIDENTS TO PARK DURING CLOSURE. A QUANTITY OF AGGREGATE FOR TEMPORARY ACCESS IS PROVIDED FOR EACH DRIVEWAY. RELOCATION OF THIS AGGREGATE SHALL NOT BE PAID SEPARATELY, BUT SHALL BE INCLUDED IN THE ORIGINAL INSTALLATION TONNAGE OF THE AGGREGATE.

TC-26 IDOT DISTRICT 1 STANDARD SIGN SHALL BE PROVIDED AT ALL LOCATIONS WHERE DRIVEWAYS PASS THROUGH WORK ZONES THROUGHOUT CONSTRUCTION. SIGNS TO BE PAID FOR AS "TEMPORARY INFORMATION SIGNING". RELOCATION OF THESE SIGNS BETWEEN STAGES SHALL NOT BE PAID FOR SEPARATELY BUT WILL BE INCLUDED IN THE ORIGINAL UNIT PRICE.

ACCESS TO BUSINESSES

ACCESS TO BUSINESSES MUST BE MAINTAINED AT ALL TIMES. AGGREGATE FOR TEMPORARY ACCESS WILL BE USED TO PROVIDE ACCESS TO THE BUSINESSES. WOODEN RAMPS FOR ACCESSIBILITY WILL ALSO BE REQUIRED FOR ADA COMPLIANCE. THE WOODEN RAMPS WILL NOT BE PAID FOR SEPARATELY BUT SHALL BE INCLUDED IN THE COST OF "TRAFFIC CONTROL AND PROTECTION, (SPECIAL)."

MATERIAL STORAGE

MATERIAL STORAGE WILL ONLY BE ALLOWED WITHIN THE WORK ZONE AREA. ADDITIONAL STORAGE BEYOND THE WORK ZONE WILL NOT BE PROVIDED. IT IS THE RESPONSIBILITY OF THE CONTRACTOR TO PLAN AND SCHEDULE ALL MATERIAL DELIVERIES ACCORDING TO THE CONSTRUCTION STAGING SEQUENCE.

STAGE 2, YEAR 2

1. SETUP STAGE 1, YEAR 2 TRAFFIC CONTROL PLAN.
2. SETUP NORTHBOUND DETOUR FOR PRAIRIE STREET.
3. CONTRACTOR SHALL ENSURE ACCESS IS MAINTAINED TO ALL DRIVEWAYS AT ALL TIMES DURING THIS STAGE

STORM SEWER WORK

1. COMPLETE FINAL ADJUSTMENT WITHIN THE WORK ZONE.

ROADWAY WORK

1. CONSTRUCT CURB & GUTTER, AGGREGATE BASE COURSE, HMA AND PCC PAVEMENTS. SIDEWALKS, AND DRIVEWAYS.
2. ONLY CONSTRUCT BINDER ON PRAIRIE STREET FROM WEBSTER STREET TO WILSON STREET.
3. CONSTRUCT ADA IN THE SE CORNER OF WILSON STREET AND PRAIRIE STREET.

TRAFFIC SIGNALS

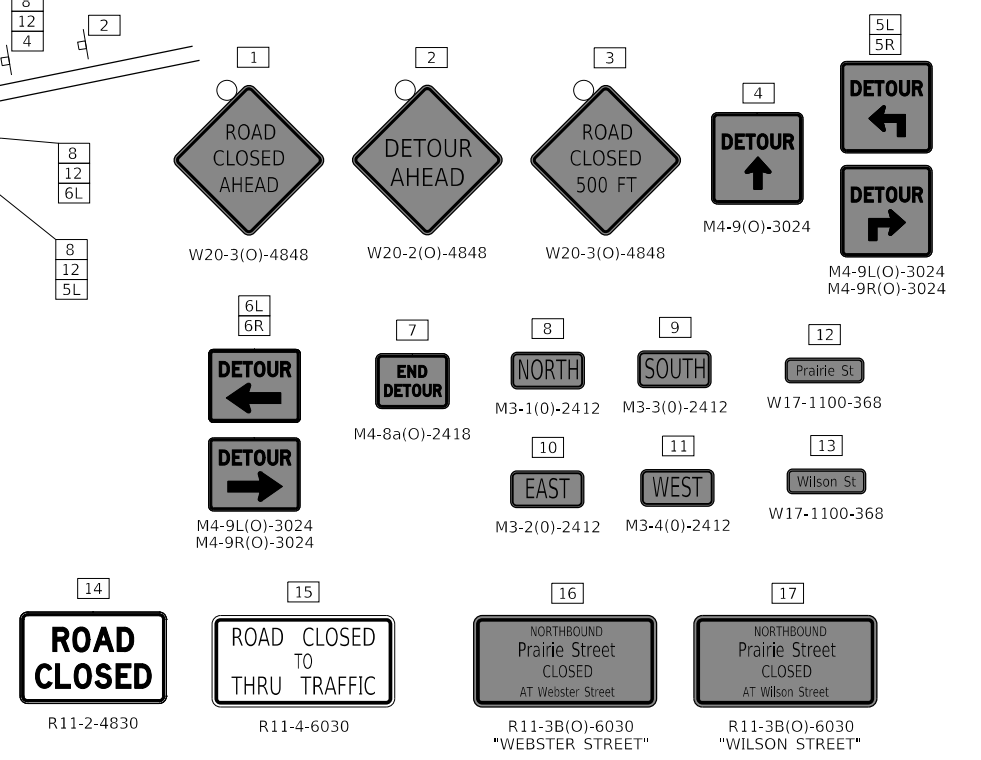
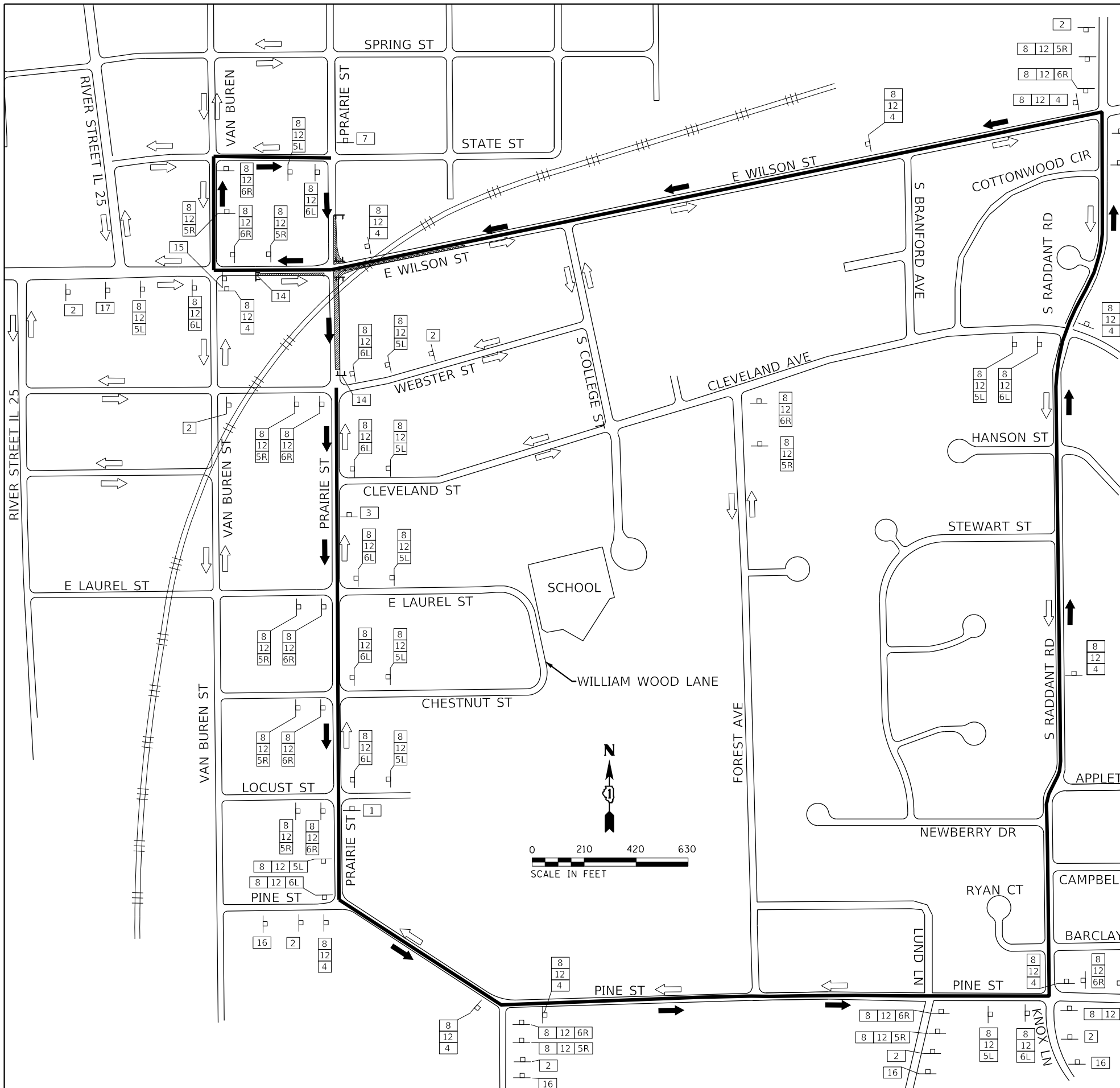
1. CONSTRUCT TRAFFIC SIGNALS IN THE SE CORNER OF WILSON STREET AND PRAIRIE STREET.

STAGE 3, YEAR 2*

1. MILL REMAINING EXISTING PAVEMENTS
2. REMOVE DETOURS AND MAJOR TRAFFIC CONTROL ON PRAIRIE STREET AND WILSON STREET
3. COMPLETE BITUMINOUS TACK COAT, UTILITY FRAME AND LID ADJUSTMENTS, AND HMA SURFACE COURSE
4. PLACE SHORT-TERM PAVEMENT MARKINGS
5. COMPLETE TRAFFIC SIGNAL TURN-ON AND TIMING.
6. COMPLETE PERMANENT PAVEMENT MARKINGS AND SIGNING UTILIZING TRAFFIC CONTROL STANDARD 701311
7. COMPLETE PUNCH LIST AND SITE CLEANUP

*STAGE 3, YEAR 2 ITEMS SHALL BE CONSTRUCTED THROUGH THE USE OF HIGHWAYS STANDARDS.

FILE NAME = sht-Staging_gennotes.dgn Default	USER NAME = sbpottorff	DESIGNED - SBP	REVISED -	STATE OF ILLINOIS DEPARTMENT OF TRANSPORTATION	PRAIRIE STREET AT WILSON STREET INTERSECTION IMPROVEMENTS MAINTENANCE OF TRAFFIC – GENERAL NOTES	F.A.U. RTE.	SECTION	COUNTY	TOTAL SHEETS	SHEET NO.
		DRAWN - BMS	REVISED -			2511	16-00086-01-FP	KANE	169	31
	PLOT SCALE = 2,0000 ' / in.	CHECKED - JLV	REVISED -			CONTRACT NO. 61J35				
	PLOT DATE = 2/15/2023	DATE - 2/15/2023	REVISED -			SCALE: NONE	SHEET 1 OF 1 SHEETS	STA. TO STA.	ILLINOIS	FED. AID PROJECT



NOTE: "(O)" INDICATED BLACK LETTERS ON ORANGE BACKGROUND.

ADVANCE DETOUR SEQUENCE

LEGEND

- SIGN POST LOCATION
- TYPE III BARRICADE (SEE NOTE)
- DIRECTION OF DETOURED TRAFFIC FLOW
- DIRECTION OF TRAFFIC FLOW
- CONSTRUCTION WORK ZONE
- SIGN ARRAY SEQUENCE
- DETOUR ROUTE

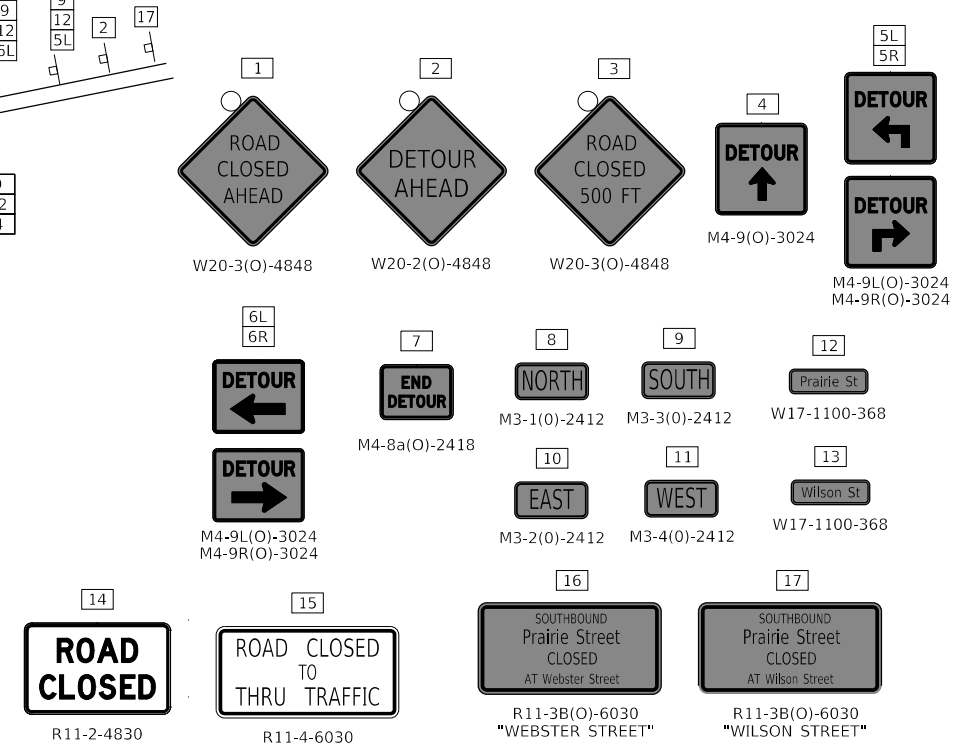
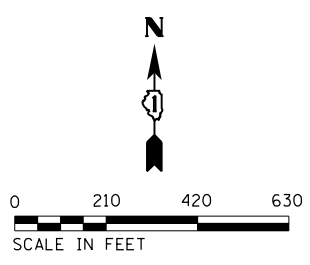
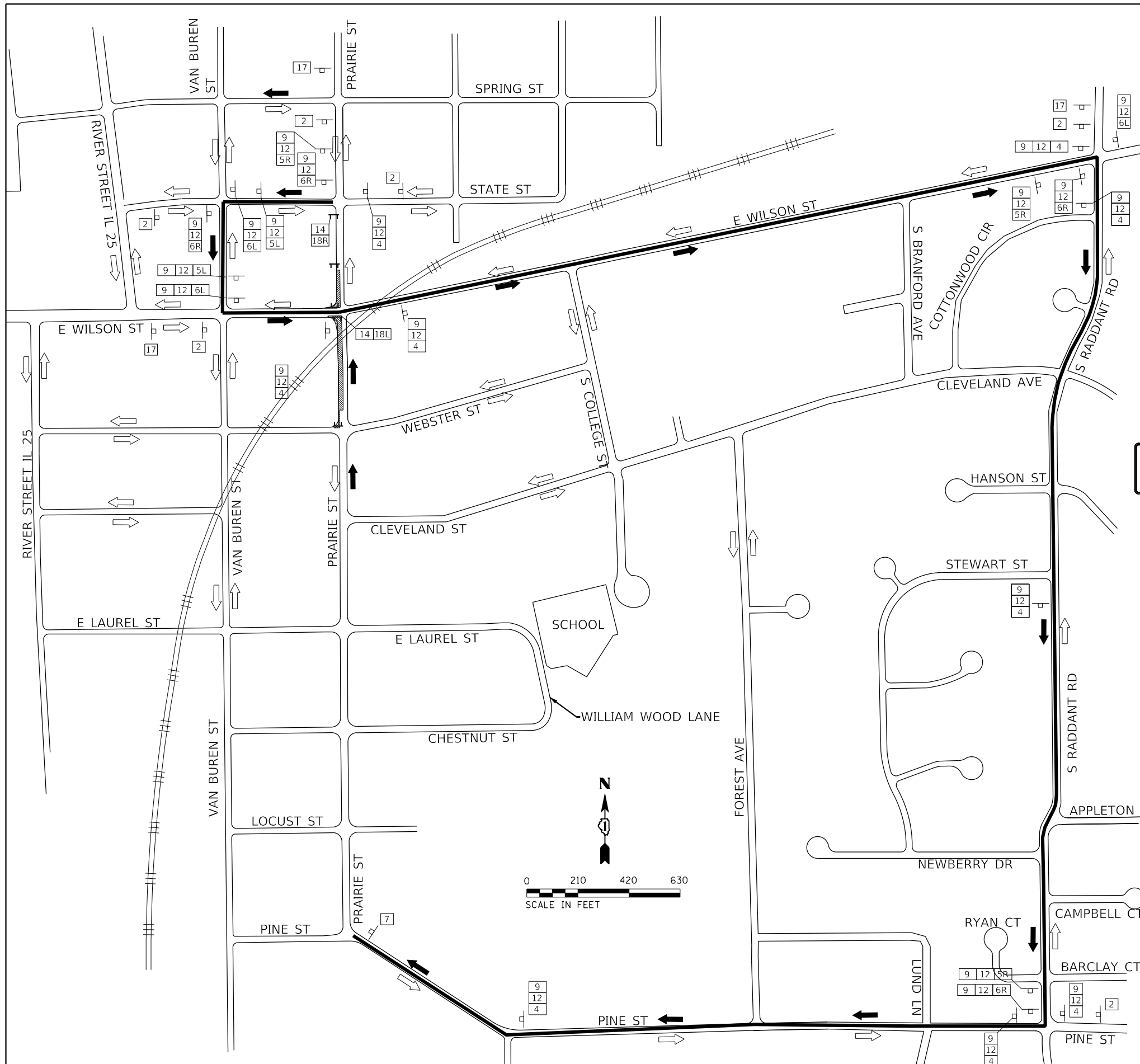
TYPE III BARRICADES

TYPE III BARRICADES SHALL HAVE TWO AMBER FLASHING LIGHTS AND STD. REFLECTORIZED SHEETING ON BOTH SIDES

CHANGEABLE MESSAGE SIGNS

THE PROJECT WILL REQUIRE THAT ELECTRONIC CHANGEABLE MESSAGE SIGNS BE PLACED ON THE NORTH AND SOUTH ENDS OF THE PROJECT TO WARN THE PUBLIC OF THE PENDING ROAD CONSTRUCTION AND ROAD CLOSURES. THE MESSAGE BOARDS WILL NEED TO BE PLACED AND SET OUT FOR SEVEN (7) DAYS IN ADVANCE OF THE ANTICIPATED FIRST DAY OF CONSTRUCTION. THE CONTRACTOR WILL COORDINATE WITH THE ENGINEER ON THE EXACT PLACEMENT OF THE MESSAGE BOARDS AND THE MESSAGE THAT IS TO BE DISPLAYED.

FILE NAME = sht-MOT Detour RR Xing.dgn	USER NAME = sbpottorff	DESIGNED - SBP	REVISED -	STATE OF ILLINOIS DEPARTMENT OF TRANSPORTATION	PRAIRIE STREET AT WILSON STREET INTERSECTION IMPROVEMENTS PRAIRIE STEET ONE-WAY CLOSURE - NORTHBOUND DETOUR	F.A.U. RTE. = 2511	SECTION = 16-00086-01-FP	COUNTY = KANE	TOTAL SHEETS = 169	SHEET NO. = 32		
Detour Plans	PLOT SCALE = 420,0000' / in.	CHECKED - JLV	REVISED -			SCALE: 1" = 210'	SHEET 1 OF 2	SHEETS STA.	TO STA.	CONTRACT NO. 61J35		
	PLOT DATE = 2/15/2023	DATE - 2/15/2023	REVISED -			ILLINOIS			FED. AID PROJECT			



ADVANCE DETOUR SEQUENCE
 NOTE: "(O)" INDICATED BLACK LETTERS ON ORANGE BACKGROUND.

LEGEND

- SIGN POST LOCATION
- TYPE III BARRICADE (SEE NOTE)
- DIRECTION OF DETOURED TRAFFIC FLOW
- DIRECTION OF TRAFFIC FLOW
- CONSTRUCTION WORK ZONE
- SIGN ARRAY SEQUENCE
- DETOUR ROUTE

TYPE III BARRICADES

TYPE III BARRICADES SHALL HAVE TWO AMBER FLASHING LIGHTS AND STD. REFLECTORIZED SHEETING ON BOTH SIDES

CHANGEABLE MESSAGE SIGNS

THE PROJECT WILL REQUIRE THAT ELECTRONIC CHANGEABLE MESSAGE SIGNS BE PLACED ON THE NORTH AND SOUTH ENDS OF THE PROJECT TO WARN THE PUBLIC OF THE PENDING ROAD CONSTRUCTION AND ROAD CLOSURES. THE MESSAGE BOARDS WILL NEED TO BE PLACED AND SET OUT FOR SEVEN (7) DAYS IN ADVANCE OF THE ANTICIPATED FIRST DAY OF CONSTRUCTION. THE CONTRACTOR WILL COORDINATE WITH THE ENGINEER ON THE EXACT PLACEMENT OF THE MESSAGE BOARDS AND THE MESSAGE THAT IS TO BE DISPLAYED.

FILE NAME = sht-MOT Detour RR Xing.dgn	USER NAME = sbpottorff	DESIGNED - SBP	REVISED -	STATE OF ILLINOIS DEPARTMENT OF TRANSPORTATION	PRAIRIE STREET AT WILSON STREET IMPROVEMENTS PRAIRIE STREET ONE-WAY CLOSURE - SOUTHBOUND DETOUR	F.A.U. RTE. = 2511	SECTION = 16-00086-01-FP	COUNTY = KANE	TOTAL SHEETS = 169	SHEET NO. = 33		
Detour Plans	PLOT SCALE = 420,0000' / in.	CHECKED - JLV	REVISED -			SCALE: 1" = 210'	SHEET 2 OF 2 SHEETS	STA. TO STA.	ILLINOIS FED. AID PROJECT			
	PLOT DATE = 2/15/2023	DATE = 2/15/2023	REVISED -			CONTRACT NO. 61J35						

STAGE 1, YEAR 1 MAJOR WORK OPERATIONS – PRAIRIE STREET

SET UP TEMPORARY STAGE 1, YEAR 1 TRAFFIC CONTROL ON PRAIRIE STREET, WHICH INCLUDES SIGNAGE, DRUMS/BARRICADES AND TEMPORARY PAVEMENT MARKINGS FROM STA. 119+86.00 TO STA. 124+43.00 AND STA. 124+67.00 TO STA. 126+58.00. MAINTAIN 1-WAY TRAFFIC SOUTHBOUND ON PRAIRIE STREET FOR ENTIRE PROJECT LIMITS.

CLOSE NORTH BOUND LANE OF PRAIRIE STREET. SETUP STAGE 1 NORTHBOUND DETOUR FOR NORTHBOUND PRAIRIE STREET.

INSTALL TEMPORARY EROSION CONTROL MEASURES.

UTILIZING IDOT STANDARD 701501 SAW CUT AND REMOVE PAVEMENT TO CONSTRUCT WATER MAIN CROSSINGS.

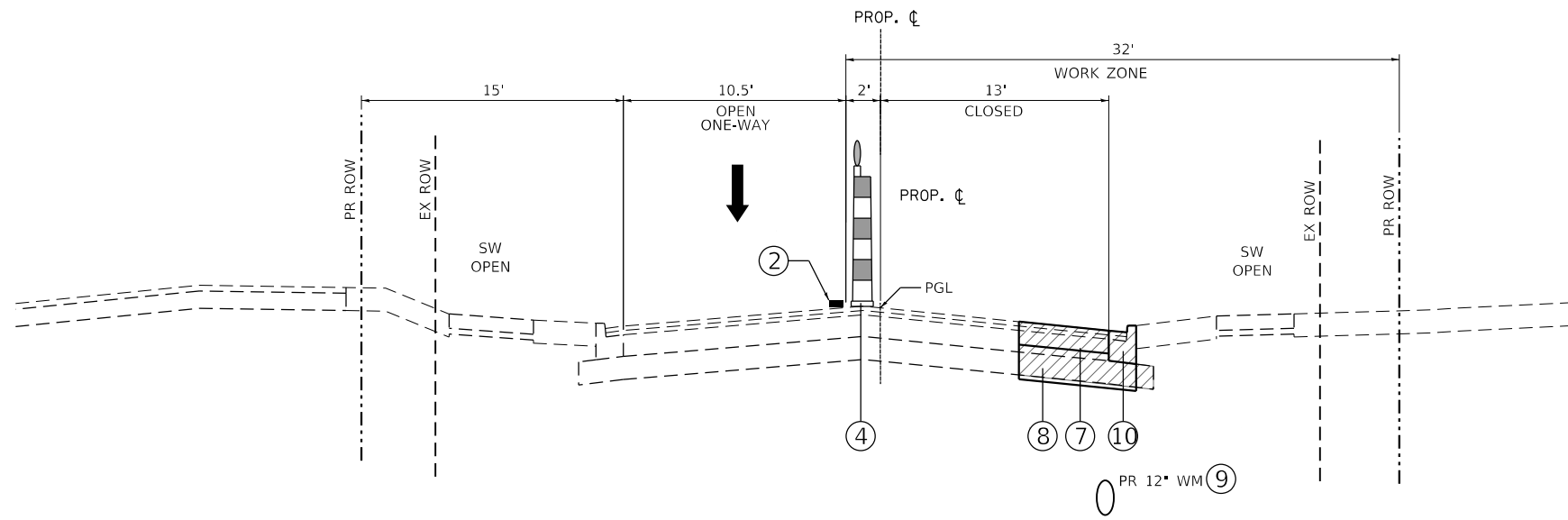
CONSTRUCT JACKING PITS AND WATERMAIN CASING PIPE UNDER THE BSNF RAILROAD FROM STA. 123+15.86 TO STA. 124+23.56.

SAW CUT AND REMOVE EXISTING PAVEMENT AND CURB AND GUTTER AS NECESSARY FROM STA. 122+84.79 TO STA. 124+11.44, 0.0' RT 23.58' RT.

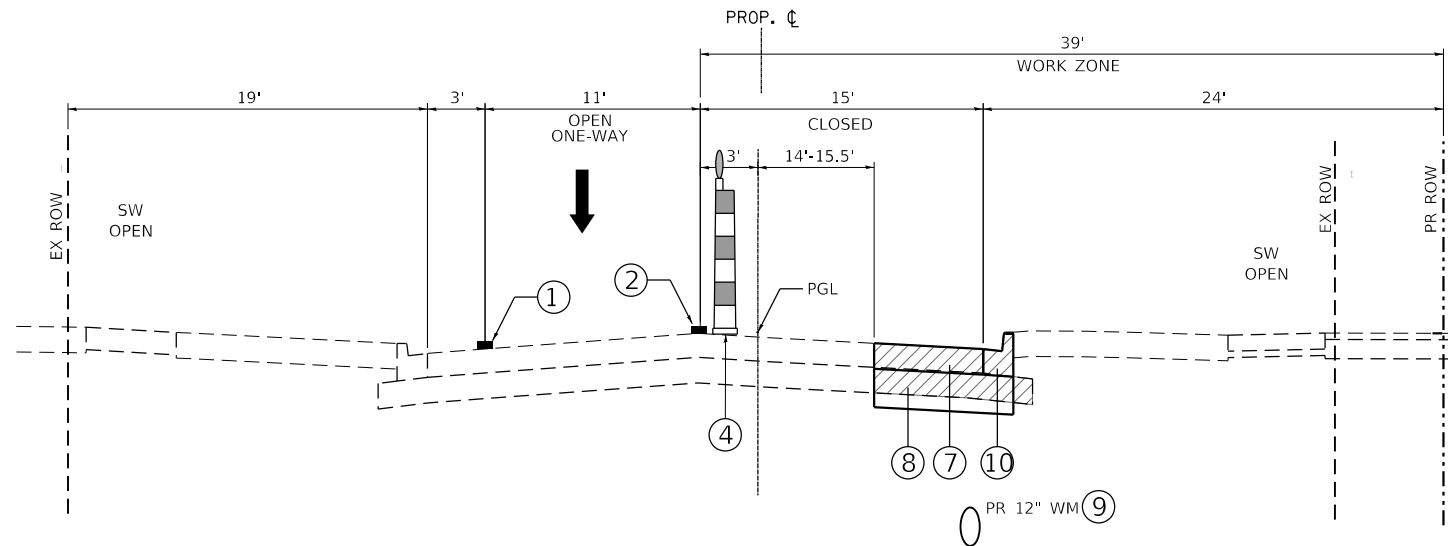
CONSTRUCT PROPOSED, WATERMAIN AND APPURTENANCES, WATER SERVICES, TEST AND DISINFECT.

CONSTRUCT, AGGREGATE SUBGRADE IMPROVEMENT, CURB AND GUTTERS, SIDEWALKS AND CLASS D PATCHES, TOPSOIL AND AND TEMPORARY OR PERMANENT RESTORATION FROM STA. 123+15.86 TO STA. 124+36.28, 0.0' RT - 23.58' RT AND PERMANENT FULL DEPTH HMA PAVEMENT FROM STA. 124+67.00 TO STA. 126+57.00, 0.0' RT - 14.5' RT.

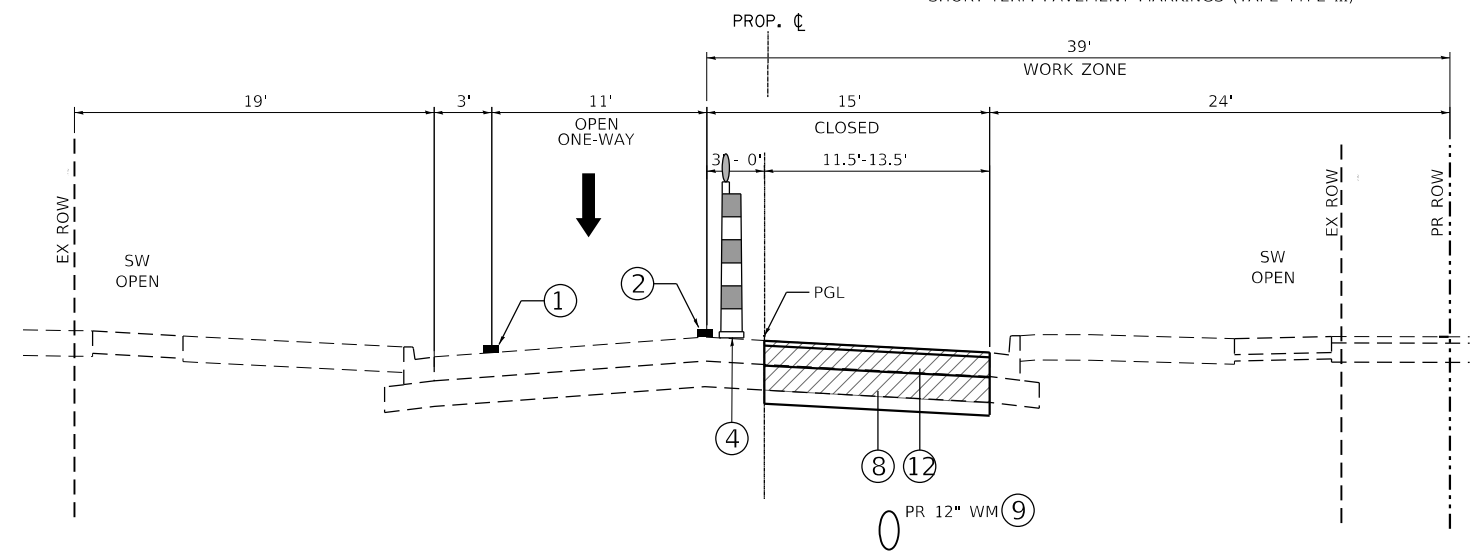
WATERMAIN CROSSINGS WILSON STREET FROM STA. 124+36.28 TO STA. 124+68.55, 1' RT TO 8' RT. CONSTRUCT TRENCH BACKFILL (2' EACH SIDE OF ALL EXISTING AND PROPOSED PAVEMENT STRUCTURES), AGGREGATE BASE ABOVE TRENCH AND CLASS C PATCHES WITH HMA BINDER REPLACEMENT OVER PATCH AT THIS LOCATION. TEMPORARY PLATES MAY BE USED FOR SHORT TIME PERIODS WITH APPROVAL OF THE ENGINEER.



PROPOSED TYPICAL SECTION – STAGE 1, YEAR 1
122+90.00 TO STA. 123+60.00, PRAIRIE STREET



PROPOSED TYPICAL SECTION – STAGE 1, YEAR 1
STA. 123+76.00 TO STA. 124+42.00, PRAIRIE
STA. 124+42.00 TO STA. 124+67.00, INTERSECTION OMISSION



PROPOSED TYPICAL SECTION – STAGE 1, YEAR 1
124+67.00 TO STA. 126+57.00, PRAIRIE STREET

LEGEND

- ① TEMPORARY PAVEMENT MARKING LINE - 4" WHITE
- ② TEMPORARY PAVEMENT MARKING LINE - 4" YELLOW
- ③ TEMPORARY PAVEMENT MARKING LINE - 2-4" YELLOW
- ④ DRUM W/STEADY BURN LIGHT
- ⑤ DETECTABLE PEDESTRIAN BARRICADE W/CLOSED SIGN
- ⑥ HMA BINDER COURSE (NO SURFACE)
PCC BASE COURSE OR PCC BASE COURSE WIDENING
- ⑦ CLASS D PATCHES, 8"
- ⑧ AGGREGATE BASE COURSE, 12"
- ⑨ PR WATER MAIN, 12"
- ⑩ COMBINATION CONCRETE CURB AND GUTTER, TYPE B6-12
- ⑪ TEMPORARY CONCRETE BARRIER WALL
- ⑫ HMA SURFACE COURSE, 1 1/2"
HMA BINDER COURSE, 6 1/4"

NOTE: TAPE TYPE III (ON FINAL SURFACES)
PAINT (ON HMA BINDER OR SURFACES TO BE REMOVED)
SHORT-TERM PAVEMENT MARKINGS (TAPE TYPE III)

LEGEND

- DIRECTION OF TRAFFIC FLOW
- DRUM W/STEADY BURN LIGHT
- DETECTABLE PEDESTRIAN BARRICADE W/SIDEWALK CLOSED SIGN
- TEMPORARY CONCRETE BARRIER W/ TYPE C REFLECTORS PER SRD 704001 AND 782006.
- TEMPORARY PAVEMENT MARKING
- REMOVAL AREA

FILE NAME = sht-MOT_Typ_Stage1 Season 1.dgn	USER NAME = sbpottorff	DESIGNED - SBP	REVISED -
Default	PLOT SCALE = 10.0000' / in.	DRAWN - BMS	REVISED -
	PLOT DATE = 2/15/2023	CHECKED - JLJ	REVISED -
		DATE - 2/15/2023	REVISED -

F.A.U. RTE.	SECTION	COUNTY	TOTAL SHEETS	SHEET NO.
2511	16-00086-01-FP	KANE	169	34
CONTRACT NO. 61J35				
ILLINOIS FED. AID PROJECT				

STAGE 1, YEAR 1 MAJOR WORK OPERATIONS – WILSON STREET

SET UP TEMPORARY STAGE 1, YEAR 1 TRAFFIC CONTROL ON WILSON STREET, WHICH INCLUDES SIGNAGE, DRUMS/BARRICADES AND TEMPORARY PAVEMENT MARKINGS FROM STA. 91+00.00 TO STA. 94+93.33 AND STA. 95+30.99 TO STA. 101+95.00. MAINTAIN 2-WAY TRAFFIC ON WILSON STREET FOR ENTIRE PROJECT LIMITS.

CLOSE NORTH BOUND LANE OF PRAIRIE STREET. SETUP STAGE 1 NORTHBOUND DETOUR FOR NORTHBOUND PRAIRIE STREET.

INSTALL TEMPORARY EROSION CONTROL MEASURES.

CONSTRUCT JACKING PITS AND WATERMAIN CASING PIPE UNDER THE BSNF RAILROAD FROM STA. 95+80.71 TO STA. 97+70.58.

UTILIZING IDOT STANDARD 701501 SAW CUT AND REMOVE PAVEMENT TO CONSTRUCT WATER MAIN CROSSINGS.

SAW CUT AND REMOVE EXISTING PAVEMENT AND CURB AND GUTTER AS NECESSARY FROM STA. 92+42.55 TO STA. 95+01.42, 5.0' RT TO 19.28' RT.

CONSTRUCT PROPOSED, WATERMAIN AND APPURTENANCES, WATER SERVICES, TEST AND DISINFECT.

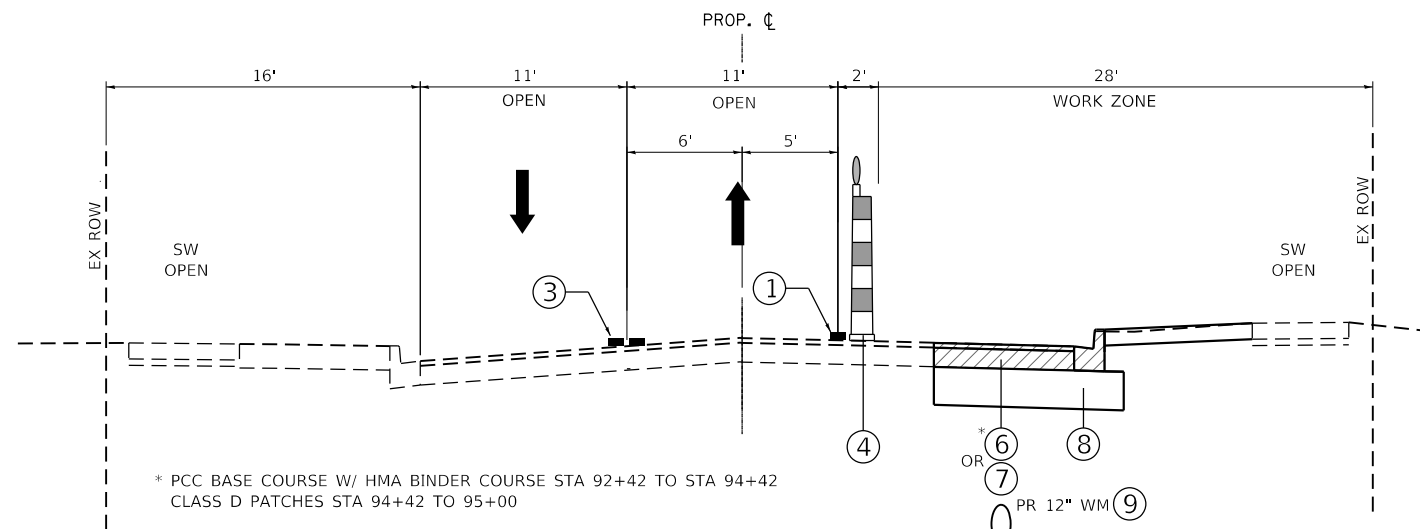
CONSTRUCT STORM SEWER (WATER MAIN QUALITY) STA. 97+93.84 TO STA. 95+01.42, 21' RT.

CONSTRUCUT PVC/GRS CONDUITS AND HANDHOLES STA. 96+03.12, 50' RT. TO STA. 98+32.50, 25' LT.

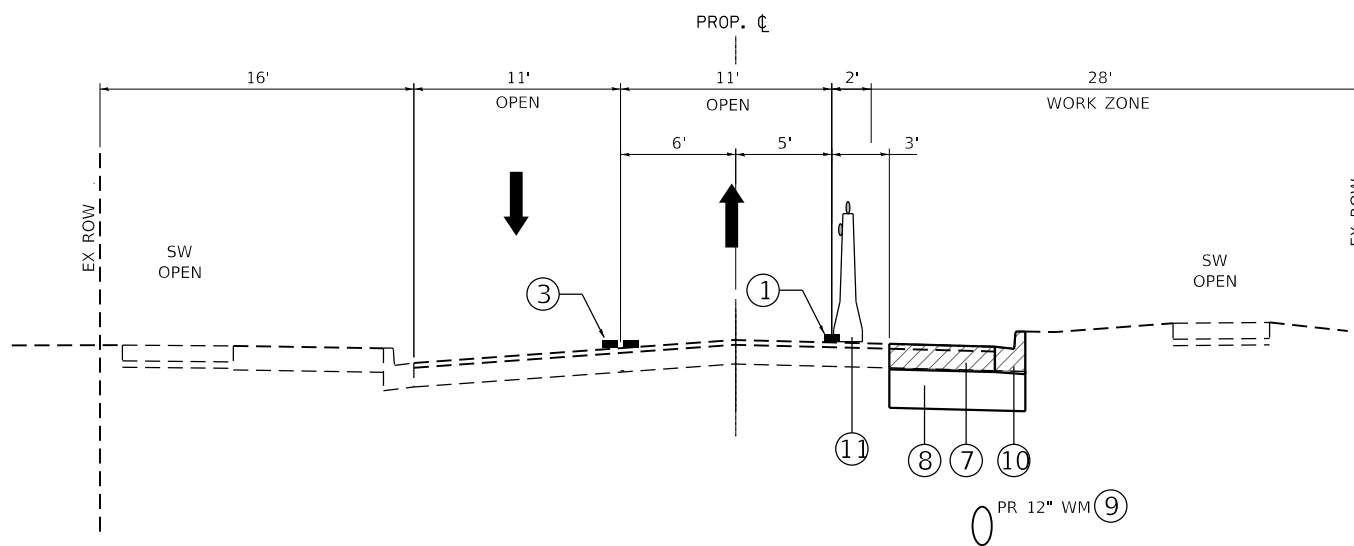
CONSTRUCT, AGGREGATE SUBGRADE IMPROVEMENT, CURB AND GUTTERS, SIDEWALKS, PPC BASE COURSE AND BINDER COURSE (NO SURFACE COURSE), TOPSOIL AND TEMPORARY OR PERMANENT RESTORATION FROM STA. 92+42.55 TO STA. 95+01.42, .0' RT TO 19.28' RT. AND FROM STA. 97+36.58 TO STA. 100+14.32, 8' RT TO 19.28' RT.

CONSTRUCT, AGGREGATE SUBGRADE IMPROVEMENT, CURB AND GUTTERS, SIDEWALKS, CLASS D PATCHES, TOPSOIL AND TEMPORARY OR PERMANENT RESTORATION FROM STA. 95+01.42, TO STA. 97+36.58, 8' RT TO 19.28' RT.

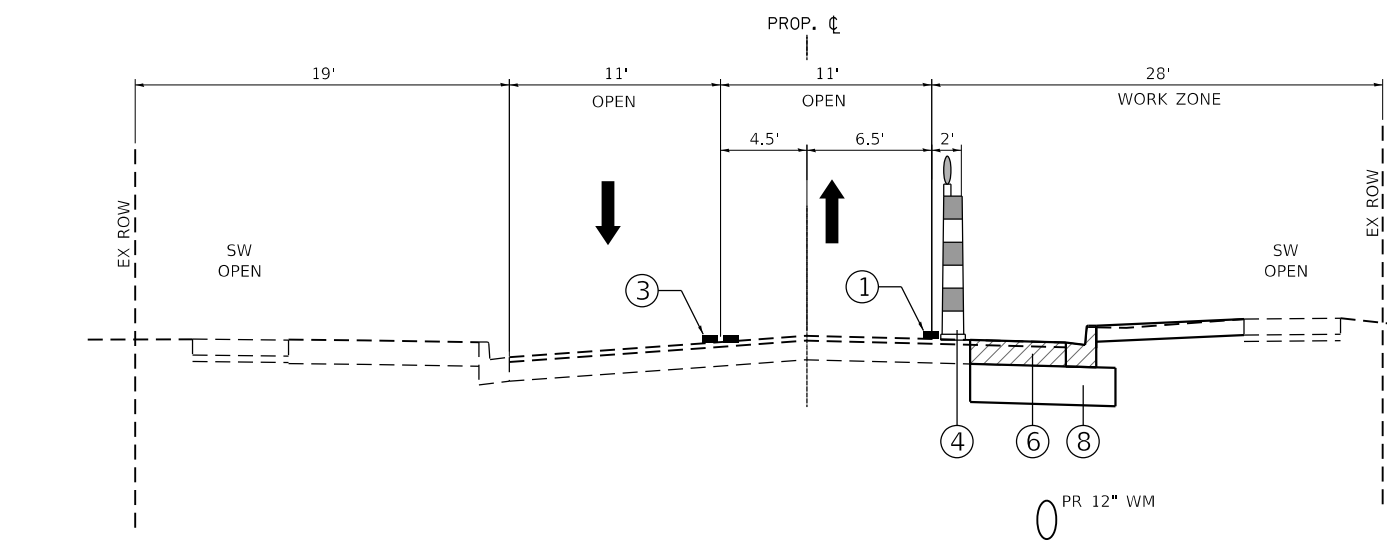
UTILIZING IDOT STANDARD 701501 SAW CUT AND REMOVE PAVEMENT TO CONSTRUCT WATERMAIN CROSSINGS ON PRAIRIE STREET FROM STA. 95+01.42 TO STA. 95+33.29, 14' RT. CONSTRUCT TRENCH BACKFILL (2' EACH SIDE OF ALL EXISTING AND PROPOSED PAVEMENT STRUCTURES), AGGREGATE BASE ABOVE TRENCH, CLASS C PATCHES WITH HMA REPLACEMENT OVER PATCHES AT THIS LOCATION. TEMPORARY PLATES MAY BE USED FOR SHORT TIME PERIODS WITH APPROVAL OF THE ENGINEER.



PROPOSED TYPICAL SECTION – STAGE 1, YEAR 1
 STA. 92+42.00 TO STA. 95+00+00, WILSON STREET



PROPOSED TYPICAL SECTION – STAGE 1, YEAR 1
 STA. 95+00.00 TO STA. 95+49.00, INTERSECTION
 STA. 95+49.00 TO STA. 96+74+00, WILSON STREET



PROPOSED TYPICAL SECTION – STAGE 1, YEAR 1
 STA. 96+04.00 TO STA. 100+75.00, WILSON STREET

LEGEND

- DIRECTION OF TRAFFIC FLOW
- DRUM W/STEADY BURN LIGHT
- DETECTABLE PEDESTRIAN BARRICADE W/SIDEWALK CLOSED SIGN
- TEMPORARY CONCRETE BARRIER W/ TYPE C REFLECTORS PER SRD 704001 AND 782006.
- TEMPORARY PAVEMENT MARKING
- REMOVAL AREA

LEGEND

- ① TEMPORARY PAVEMENT MARKING LINE - 4" WHITE
- ② TEMPORARY PAVEMENT MARKING LINE - 4" YELLOW
- ③ TEMPORARY PAVEMENT MARKING LINE - 2-4" YELLOW
- ④ DRUM W/STEADY BURN LIGHT
- ⑤ DETECTABLE PEDESTRIAN BARRICADE W/CLOSED SIGN
- ⑥ HMA BINDER COURSE (NO SURFACE) PCC BASE COURSE OR PCC BASE COURSE WIDENING
- ⑦ CLASS D PATCHES, 8"
- ⑧ AGGREGATE BASE COURSE, 12"
- ⑨ PR WATER MAIN, 12"
- ⑩ COMBINATION CONCRETE CURB AND GUTTER, TYPE B6-12
- ⑪ TEMPORARY CONCRETE BARRIER WALL
- ⑫ HMA SURFACE COURSE, 1 1/2" HMA BINDER COURSE, 6 1/4"

NOTE: TAPE TYPE III (ON FINAL SURFACES)
 PAINT (ON HMA BINDER OR SURFACES TO BE REMOVED)
 SHORT-TERM PAVEMENT MARKINGS (TAPE TYPE III)

HMA BINDER COURSE – STAGE 1

IN AREAS WHERE THE PERMANENT PCC BASE COURSE AND PCC BASE COURSE WIDENING ARE CONSTRUCTED HMA BINDER COURSE (NO SURFACE FOR WINTER SHUTDOWN) SHALL BE PLACED OVER THE PCC BASE COURSE AREAS. HMA BINDER SHALL BE PAID FOR AS HMA BINDER COURSE, IL-19.0, N70.

IN AREAS WHERE CLASS C PATCHES ARE CONSTRUCTED OVER TRENCHES THE CONTRACTOR SHALL PLACE HMA BINDER COURSE WHICH SHALL BE PAID FOR AS "HMA REPLACEMENT OVER PATCHES".

THE HMA BINDER COURSE SHALL BE PLACED TO MATCH THE EXISTING AND/OR PROPOSED SURFACE ELEVATIONS.

REMOVAL OF THE BINDER SURFACE COURSE FOR PLACEMENT OF THE FINAL WEARING SURFACE IN YEAR 2 SHALL BE PAID AS HMA SURFACE REMOVAL OF THE THICKNESS SPECIFIED.

FILE NAME = sht-MOT_Typ_Stage1 Season 1.dgn	USER NAME = sbpottorff	DESIGNED - SBP	REVISED -
Default	PLOT SCALE = 10.0000' / in.	DRAWN - BMS	REVISED -
	PLOT DATE = 2/15/2023	CHECKED - JLV	REVISED -
		DATE - 2/15/2023	REVISED -

**STATE OF ILLINOIS
 DEPARTMENT OF TRANSPORTATION**

**PRAIRIE STREET AT WILSON STREET INTERSECTION IMPROVEMENTS
 MAINTENANCE OF TRAFFIC – TYPICAL SECTIONS**

SCALE: NONE SHEET 2 OF 6 SHEETS STA. TO STA.

F.A.U. RTE.	SECTION	COUNTY	TOTAL SHEETS	SHEET NO.
2511	16-00086-01-FP	KANE	169	35
CONTRACT NO. 61J35				
ILLINOIS FED. AID PROJECT				

STAGE 1, YEAR 2 MAJOR WORK OPERATIONS – PRAIRIE STREET

SET UP TEMPORARY STAGE 1, YEAR 2 TRAFFIC CONTROL ON PRAIRIE STREET, WHICH INCLUDES SIGNAGE, DRUMS/BARRICADES AND TEMPORARY PAVEMENT MARKINGS FROM STA. 119+86.00 TO STA. 124+43.00 AND STA. 124+67.00 TO STA. 126+58.00. MAINTAIN 1-WAY TRAFFIC NORTHBOUND ON PRAIRIE STREET FOR ENTIRE PROJECT LIMITS.

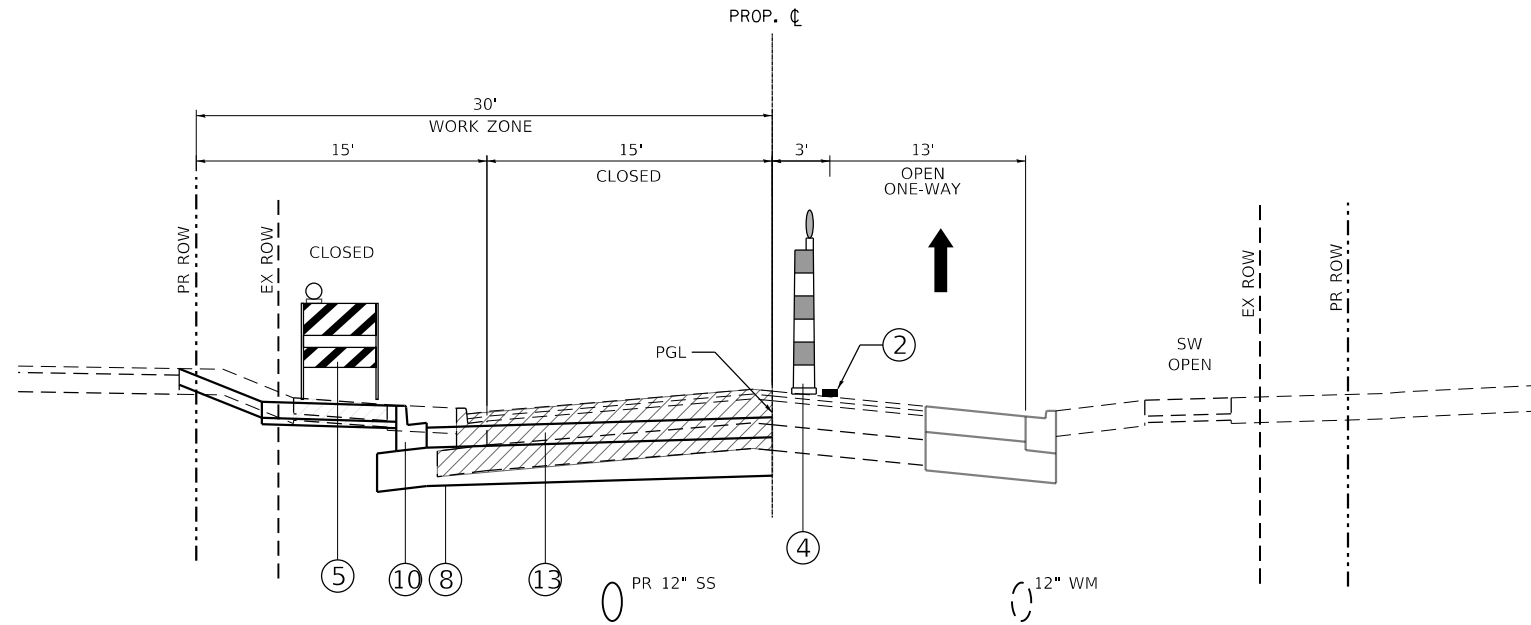
CLOSE SOUTHBOUND LANE OF PRAIRIE STREET. SETUP STAGE 1 SOUTHBOUND DETOUR FOR SOUTHBOUND PRAIRIE STREET.

INSTALL TEMPORARY EROSION CONTROL MEASURES.

SAW CUT AND REMOVE EXISTING PAVEMENT AND EXISTING SIDEWALK FROM STA. 119+83.00 TO STA. 124+43.00, 0.0' LT 23.58' LT. CONSTRUCT HMA BINDER COURSE AND BASE COURSE WIDENING (NO SURFACE), STORM SEWER, AGGREGATE SUBGRADE IMPROVEMENT, CURB AND GUTTERS, UTILITY ADJUSTMENT, DRIVEWAYS, PCC SIDEWALK, TOPSOIL AND TEMPORARY OR PERMANENT RESTORATION.

SAW CUT AND REMOVE EXISTING PAVEMENT AND EXISTING SIDEWALK FROM STA. 124+67.00 TO STA. 126+57.00, 0.0' LT 23.58' LT. CONSTRUCT HMA BINDER COURSE (NO SURFACE), STORM SEWER, AGGREGATE SUBGRADE IMPROVEMENT, CURB AND GUTTERS, UTILITY ADJUSTMENT, DRIVEWAYS, PCC SIDEWALK, TOPSOIL AND TEMPORARY OR PERMANENT RESTORATION.

STORM SEWER CROSSINGS WILSON STREET FROM STA. 124+37.90 TO STA. 124+64.17, 8' LT TO 14' LT. CONSTRUCT TRENCH BACKFILL (2' EACH SIDE OF ALL EXISTING AND PROPOSED PAVEMENT STRUCTURES), AGGREGATE BASE ABOVE TRENCH AND CLASS C PATCHES WITH HMA BINDER REPLACEMENT OVER PATCH AT THIS LOCATION. TEMPORARY PLATES MAY BE USED FOR SHORT TIME PERIODS WITH APPROVAL OF THE ENGINEER.



PROPOSED TYPICAL SECTION – STAGE 1, YEAR 2

119+86.00 TO STA. 124+43.00, PRAIRIE STREET

LEGEND

- ① TEMPORARY PAVEMENT MARKING LINE - 4" WHITE
- ② TEMPORARY PAVEMENT MARKING LINE - 4" YELLOW
- ③ TEMPORARY PAVEMENT MARKING LINE - 2-4" YELLOW
- ④ DRUM W/STEADY BURN LIGHT
- ⑤ DETECTABLE PEDESTRIAN BARRICADE W/CLOSED SIGN
- ⑥ HMA BINDER COURSE (NO SURFACE)
PCC BASE COURSE OR PCC BASE COURSE WIDENING
- ⑦ CLASS D PATCHES, 8"
- ⑧ AGGREGATE BASE COURSE, 12"
- ⑨ PR WATER MAIN, 12"
- ⑩ COMBINATION CONCRETE CURB AND GUTTER, TYPE B6-12
- ⑪ TEMPORARY CONCRETE BARRIER WALL
- ⑫ HMA SURFACE COURSE, 1 1/2"
HMA BINDER COURSE, 6 1/4"
- ⑬ HMA BINDER COURSE, 6 1/4" (NO SURFACE)

NOTE: TAPE TYPE III (ON FINAL SURFACES)
PAINT (ON HMA BINDER OR SURFACES TO BE REMOVED)
SHORT-TERM PAVEMENT MARKINGS (TAPE TYPE III)

HMA BINDER COURSE – STAGE 1

IN AREAS WHERE THE PERMANENT PCC BASE COURSE AND PCC BASE COURSE WIDENING ARE CONSTRUCTED HMA BINDER COURSE (NO SURFACE FOR WINTER SHUTDOWN) SHALL BE PLACED OVER THE PCC BASE COURSE AREAS. HMA BINDER SHALL BE PAID FOR AS HMA BINDER COURSE, IL-19, N70.

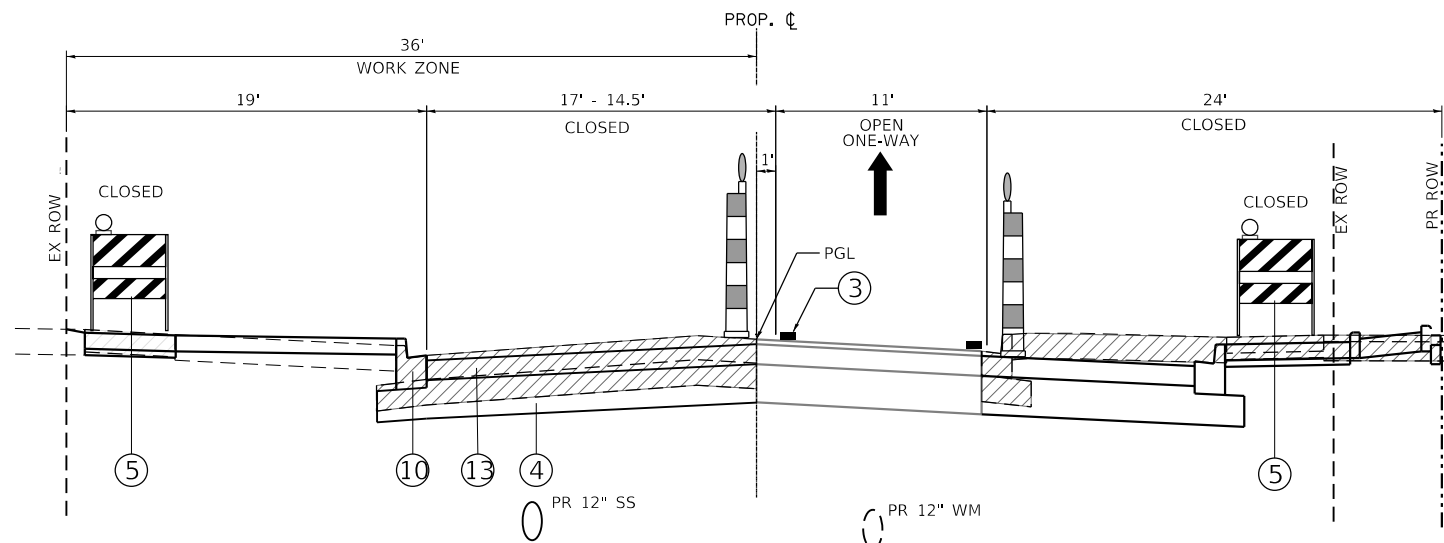
IN AREAS WHERE CLASS C PATCHES ARE CONSTRUCTED OVER TRENCHES THE CONTRACTOR SHALL PLACE HMA BINDER COURSE WHICH SHALL BE PAID FOR AS "HMA REPLACEMENT OVER PATCHES".

THE HMA BINDER COURSE SHALL BE PLACED TO MATCH THE EXISTING AND/OR PROPOSED SURFACE ELEVATIONS.

REMOVAL OF THE BINDER SURFACE COURSE FOR PLACEMENT OF THE FINAL WEARING SURFACE IN STAGE 3, SEASON 2 SHALL BE PAID AS HMA SURFACE REMOVAL OF THE THICKNESS SPECIFIED.

LEGEND

- DIRECTION OF TRAFFIC FLOW
- DRUM W/STEADY BURN LIGHT
- DETECTABLE PEDESTRIAN BARRICADE W/SIDEWALK CLOSED SIGN
- TEMPORARY PAVEMENT MARKING
- REMOVAL AREA



PROPOSED TYPICAL SECTION – STAGE 1, YEAR 2

STA. 124+67.00 TO STA. 126+57.00, PRAIRIE STREET

FILE NAME = sht-MOT_Typ_Stage1 Season2.dgn	USER NAME = sbpottorff	DESIGNED - SBP	REVISED -
Default		DRAWN - BM5	REVISED -
	PLOT SCALE = 10.0000' / in.	CHECKED - JLJ	REVISED -
	PLOT DATE = 2/15/2023	DATE - 2/15/2023	REVISED -

F.A.U. RTE.	SECTION	COUNTY	TOTAL SHEETS	SHEET NO.
2511	16-00086-01-FP	KANE	169	36
CONTRACT NO. 61J35				
ILLINOIS FED. AID PROJECT				

STAGE 1, YEAR 2 MAJOR WORK OPERATIONS – WILSON STREET

SET UP TEMPORARY STAGE 1, YEAR 2 TRAFFIC CONTROL ON WILSON STREET, WHICH INCLUDES SIGNAGE, DRUMS/BARRICADES AND TEMPORARY PAVEMENT MARKINGS FROM STA. 91+00.00 TO STA. 94+93.33 AND STA. 95+30.99 TO STA. 101+95.00. MAINTAIN 2-WAY TRAFFIC ON WILSON STREET FOR ENTIRE PROJECT LIMITS.

INSTALL TEMPORARY EROSION CONTROL MEASURES.

SAW CUT AND REMOVE EXISTING PAVEMENT FROM STA. 94+41.17 TO STA. 95+32.52, 10.0' RT TO 17.50' RT. AND STA. 95+39.00 TO STA. 97+08.06, 15.0' LT TO 35.50' LT. CONSTRUCT PROPOSED AGGREGATE SUBGRADE IMPROVEMENT, CURB AND GUTTERS, UTILITY ADJUSTMENT, DRIVEWAYS, PCC BASE COURSE, HMA BINDER COURSE, TOPSOIL AND TEMPORARY OR PERMANENT RESTORATION.

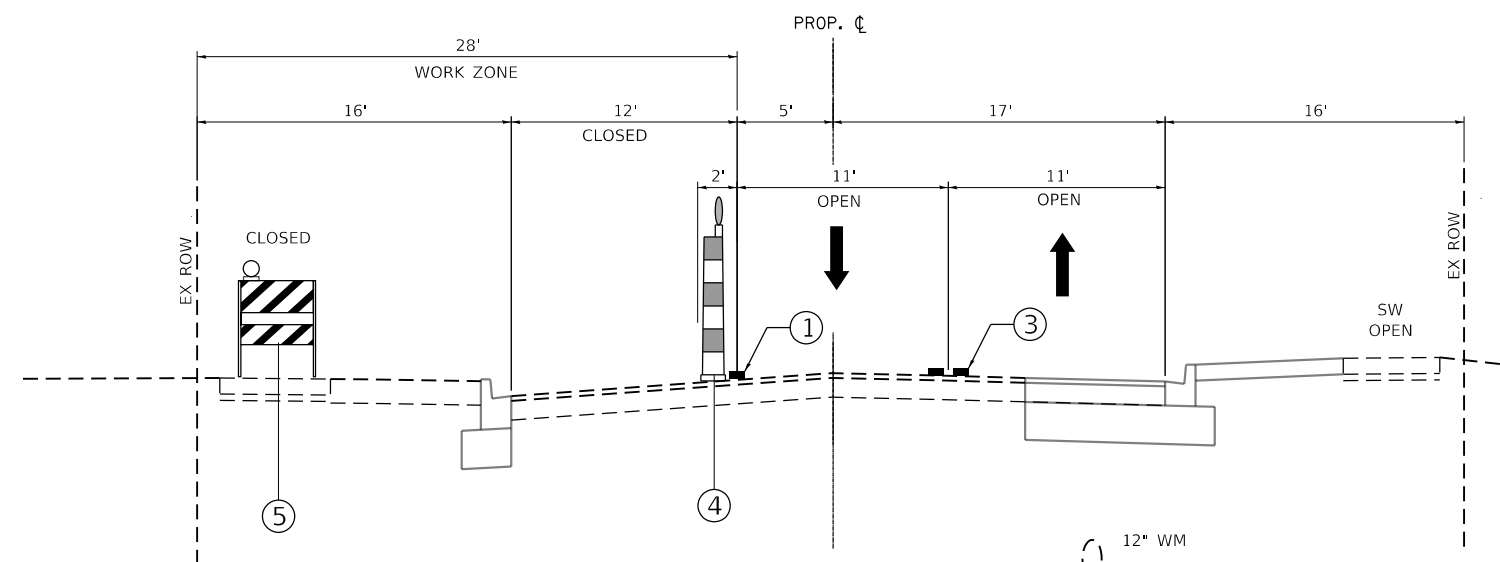
CONSTRUCT ADA RAMP, SIDEWALKS AND TRAFFIC SIGNAL AND STREET LIGHTING AT THE NORTHWEST AND NORTHEAST CORNERS OF THE INTERSECTION OF WILSON STREET AND PRAIRIE STREET.

LEGEND

- ① TEMPORARY PAVEMENT MARKING LINE - 4" WHITE
 - ② TEMPORARY PAVEMENT MARKING LINE - 4" YELLOW
 - ③ TEMPORARY PAVEMENT MARKING LINE - 2-4" YELLOW
 - ④ DRUM W/STEADY BURN LIGHT
 - ⑤ DETECTABLE PEDESTRIAN BARRICADE W/CLOSED SIGN
 - ⑥ HMA BINDER COURSE (NO SURFACE)
PCC BASE COURSE OR PCC BASE COURSE WIDENING
 - ⑦ CLASS D PATCHES, 8"
 - ⑧ AGGREGATE BASE COURSE, 12"
 - ⑨ PR WATER MAIN, 12"
 - ⑩ COMBINATION CONCRETE CURB AND GUTTER, TYPE B6-12
 - ⑪ TEMPORARY CONCRETE BARRIER WALL
 - ⑫ HMA SURFACE COURSE, 1 1/2"
HMA BINDER COURSE, 6 1/4"
 - ⑬ HMA BINDER COURSE, 6 1/4" (NO SURFACE)
- NOTE: TAPE TYPE III (ON FINAL SURFACES)
PAINT (ON HMA BINDER OR SURFACES TO BE REMOVED)
SHORT-TERM PAVEMENT MARKINGS (TAPE TYPE III)

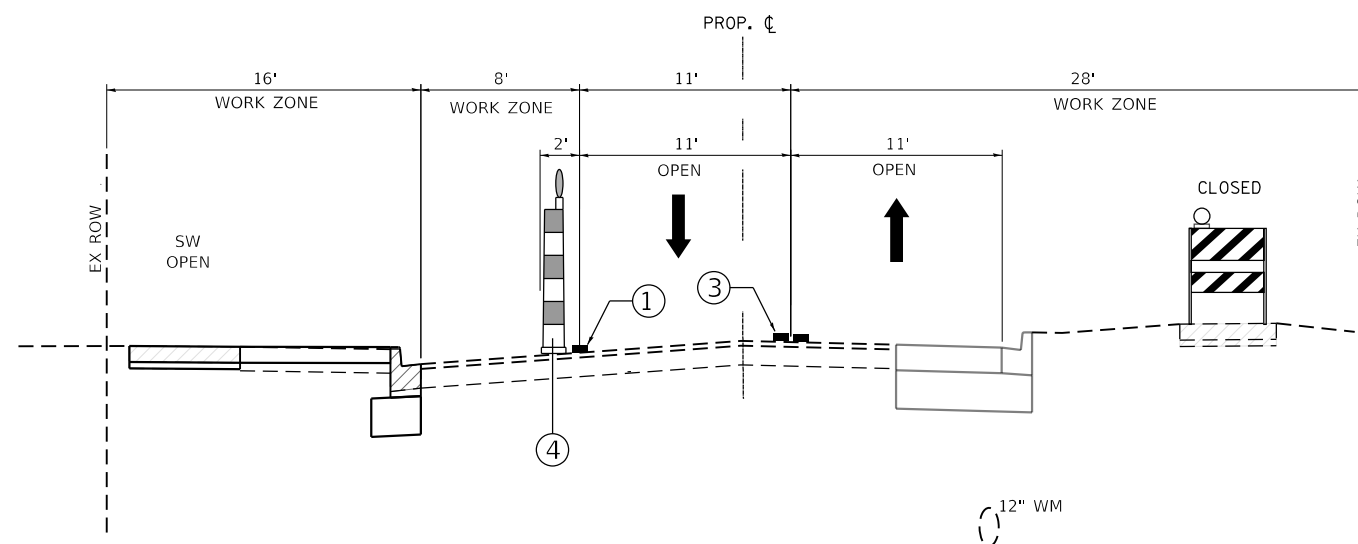
LEGEND

- DIRECTION OF TRAFFIC FLOW
- DRUM W/STEADY BURN LIGHT
- PEDESTRIAN BARRICADE W/SIDEWALK CLOSED SIGN
- TEMPORARY PAVEMENT MARKING
- REMOVAL AREA



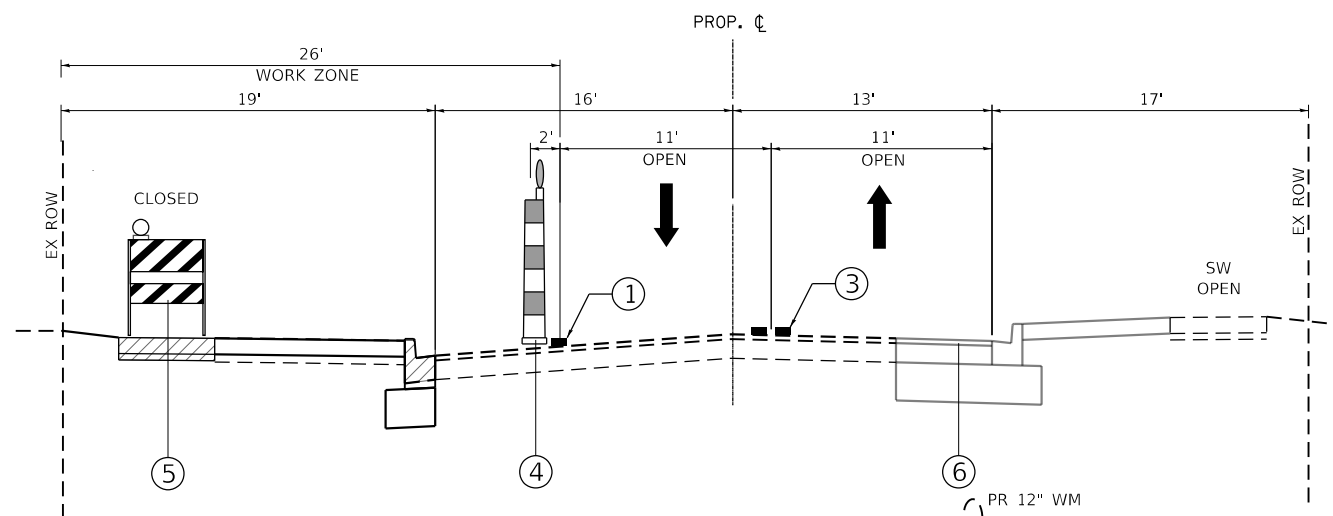
PROPOSED TYPICAL SECTION – STAGE 1, YEAR 2

STA. 92+37.00 TO STA. 94+93+00, WILSON STREET



PROPOSED TYPICAL SECTION – STAGE 1, YEAR 2

STA. 95+00.00 TO STA. 95+49.00, INTERSECTION OMISSION
STA. 95+49.00 TO STA. 96+74+00, WILSON STREET



PROPOSED TYPICAL SECTION – STAGE 1, YEAR 2

STA. 95+39.00 TO STA. 97+08.06, WILSON STREET

FILE NAME = sht-MOT_Typ_Stage1 Season2.dgn	USER NAME = sbpottorff	DESIGNED - SBP	REVISED -
Default		DRAWN - BM5	REVISED -
	PLOT SCALE = 10.0000' / in.	CHECKED - JLJ	REVISED -
	PLOT DATE = 2/15/2023	DATE - 2/15/2023	REVISED -

STATE OF ILLINOIS
DEPARTMENT OF TRANSPORTATION

PRAIRIE STREET AT WILSON STREET INTERSECTION IMPROVEMENTS
MAINTENANCE OF TRAFFIC – TYPICAL SECTIONS

SCALE: NONE SHEET 4 OF 6 SHEETS STA. TO STA.

F.A.U. RTE.	SECTION	COUNTY	TOTAL SHEETS	SHEET NO.
2511	16-00086-01-FP	KANE	169	37
CONTRACT NO. 61J35				
ILLINOIS FED. AID PROJECT				

STAGE 2, STAGE 2 MAJOR WORK OPERATIONS – PRAIRIE STREET

SET UP TEMPORARY STAGE 2, YEAR 2 TRAFFIC CONTROL ON PRAIRIE STREET, WHICH INCLUDES SIGNAGE, DRUMS/BARRICADES AND TEMPORARY PAVEMENT MARKINGS FROM STA. 119+86.00 TO STA. 124+43.00 AND STA. 124+67.00 TO STA. 126+58.00. MAINTAIN 1-WAY TRAFFIC NORTHBOUND ON PRAIRIE STREET FOR ENTIRE PROJECT LIMITS.

CLOSE NORTHBOUND LANE OF PRAIRIE STREET. SETUP STAGE NORTHBOUND DETOUR FOR NORTHBOUND PRAIRIE STREET.

INSTALL TEMPORARY EROSION CONTROL MEASURES.

SAW CUT AND REMOVE EXISTING PAVEMENT AND EXISTING SIDEWALK FROM STA. 120+05.48 TO STA. 124+51.63, 0.0' RT 23.58' RT. CONSTRUCT PROPOSED STORM SEWER, CLASS D PATCHES, AGGREGATE SUBGRADE IMPROVEMENT, CURB AND GUTTERS, TRAFFIC SIGNALS, UTILITY ADJUSTMENT, DRIVEWAYS, PCC SIDEWALK, TOPSOIL AND TEMPORARY OR PERMANENT RESTORATION.

CONSTRUCT ADA RAMP AND SIDEWALKS AT THE SOUTHEAST CORNER OF THE INTERSECTION OF WEBSTER STREET AND PRAIRIE STREET AND THE SOUTHEAST CORNER OF WILSON STREET AND PRAIRIE STREET.

STAGE 3, YEAR 2 MAJOR WORK OPERATIONS – PRAIRIE STREET

MILL REMAINING EXISTING SURFACES.

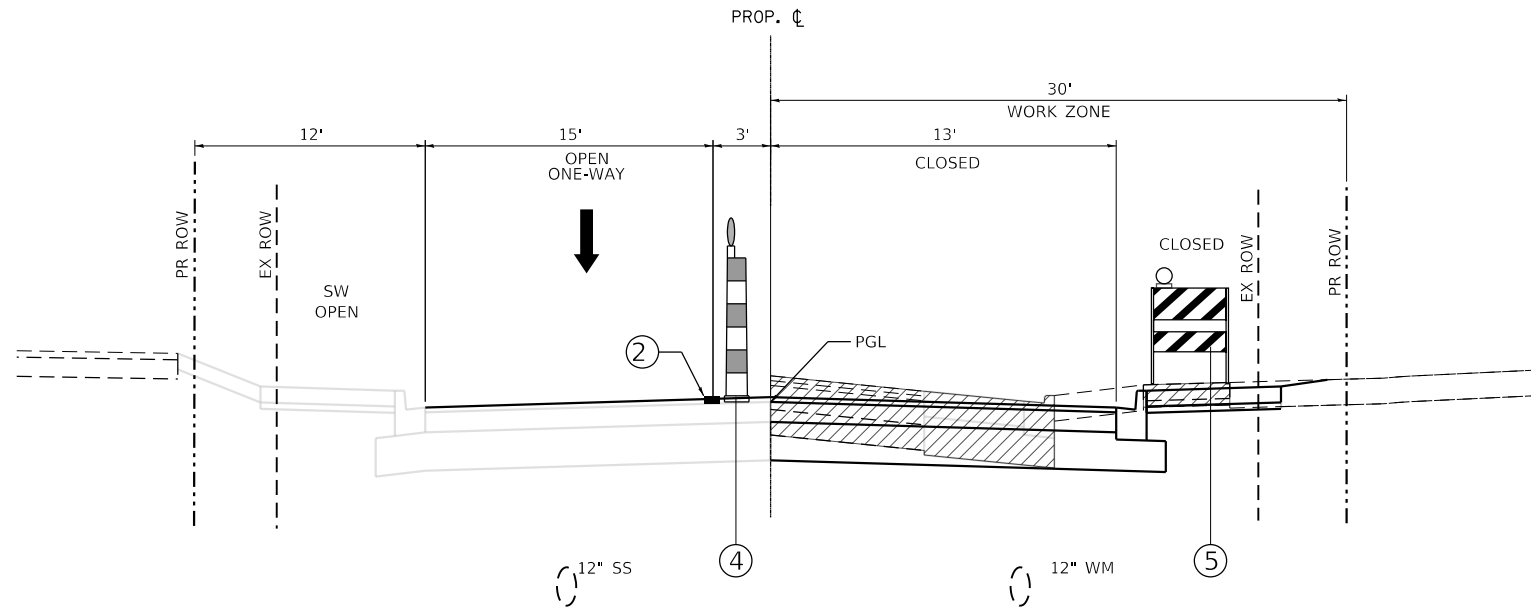
REMOVE DETOURS AND MAJOR TRAFFIC CONTROL ON PRAIRIE STREET. OPEN PRAIRIE STREET TO TWO-WAY TRAFFIC.

COMPLETE BITUMINOUS UTILITY FRAME AND LID ADJUSTMENTS, BITUMINOUS TACK COAT, AND HMA SURFACE COURSE UTILIZING FLAG MAN AND TRAFFIC CONTROL STANDARD 701501.

PLACE SHORT-TERM PAVEMENT MARKINGS.

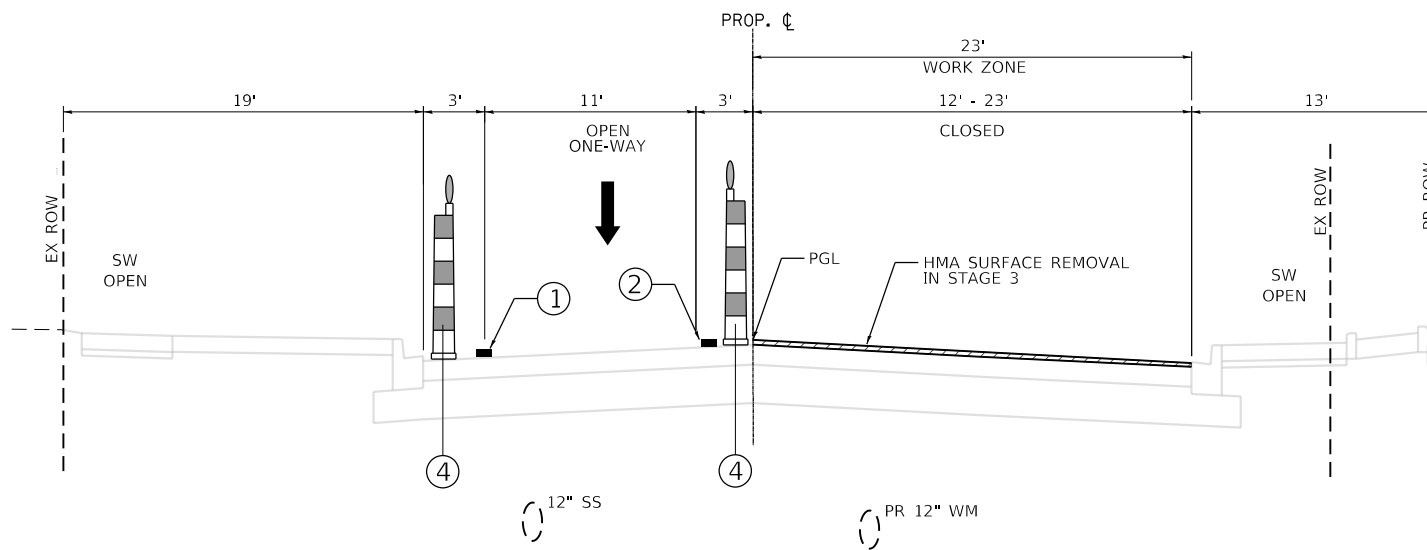
COMPLETE TRAFFIC SIGNAL TURN ON AND FINAL TIMING.

COMPLETE PERMANENT PAVEMENT MARKING AND SIGNING UTILIZING TRAFFIC CONTROL STANDARD 701311.



PROPOSED TYPICAL SECTION – STAGE 2, YEAR 2

119+86.00 TO STA. 124+43.00, PRAIRIE STREET



PROPOSED TYPICAL SECTION – STAGE 2, YEAR 2

STA. 124+67.00 TO STA. 126+58.00, PRAIRIE STREET

LEGEND

- ① TEMPORARY PAVEMENT MARKING LINE - 4" WHITE
- ② TEMPORARY PAVEMENT MARKING LINE - 4" YELLOW
- ③ TEMPORARY PAVEMENT MARKING LINE - 2-4" YELLOW
- ④ DRUM W/STEADY BURN LIGHT
- ⑤ DETECTABLE PEDESTRIAN BARRICADE W/CLOSED SIGN
- ⑥ HMA BINDER COURSE (NO SURFACE)
PCC BASE COURSE OR PCC BASE COURSE WIDENING
- ⑦ CLASS D PATCHES, 8"
- ⑧ AGGREGATE BASE COURSE, 12"
- ⑨ PR WATER MAIN, 12"
- ⑩ COMBINATION CONCRETE CURB AND GUTTER, TYPE B6-12
- ⑪ TEMPORARY CONCRETE BARRIER WALL
- ⑫ HMA SURFACE COURSE, 1 1/2"
HMA BINDER COURSE, 6 1/4"
- ⑬ HMA BINDER COURSE, 6 1/4" (NO SURFACE)

LEGEND

- ➔ DIRECTION OF TRAFFIC FLOW
- ④ DRUM W/STEADY BURN LIGHT
- ⑤ PEDESTRIAN BARRICADE W/SIDEWALK CLOSED SIGN
- TEMPORARY PAVEMENT MARKING
- ▨ REMOVAL AREA

NOTE: TAPE TYPE III (ON FINAL SURFACES)
PAINT (ON HMA BINDER OR SURFACES TO BE REMOVED)
SHORT-TERM PAVEMENT MARKINGS (TAPE TYPE III)

FILE NAME = sht-MOT_Typ.Stage2_season 2.dgn	USER NAME = sbpottorff	DESIGNED - SBP	REVISED -
Default		DRAWN - BMS	REVISED -
	PLOT SCALE = 10.0000' / in.	CHECKED - JLW	REVISED -
	PLOT DATE = 2/15/2023	DATE - 2/15/2023	REVISED -

F.A.U. RTE.	SECTION	COUNTY	TOTAL SHEETS	SHEET NO.
2511	16-00086-01-FP	KANE	169	38
CONTRACT NO. 61J35				
ILLINOIS FED. AID PROJECT				

STAGE 2, YEAR 2 MAJOR WORK OPERATIONS – WILSON STREET

SET UP TEMPORARY STAGE 2, YEAR 2 TRAFFIC CONTROL ON WILSON STREET, WHICH INCLUDES SIGNAGE, DRUMS/BARRICADES AND TEMPORARY PAVEMENT MARKINGS FROM STA. 91+00.00 TO STA. 94+93.33 AND STA. 95+30.99 TO STA. 101+95.00. MAINTAIN 2-WAY TRAFFIC ON WILSON STREET FOR ENTIRE PROJECT LIMITS.

INSTALL TEMPORARY EROSION CONTROL MEASURES.

SAW CUT AND REMOVE EXISTING PAVEMENT FROM STA. 92+42.55 TO STA. 95+01.42, 5.0' RT TO 19.28' RT. CONSTRUCT PROPOSED AGGREGATE SUBGRADE IMPROVEMENT, CURB AND GUTTERS, UTILITY ADJUSTMENT, DRIVEWAYS, PCC BASE COURSE, HMA BINDER COURSE, TOPSOIL AND TEMPORARY OR PERMANENT RESTORATION.

CONSTRUCT ADA RAMP, SIDEWALKS AND TRAFFIC SIGNAL AND STREET LIGHTING AT THE SOUTHEAST CORNER OF THE INTERSECTION OF WILSON STREET AND PRAIRIE STREET.

STAGE 3, YEAR 2 MAJOR WORK OPERATIONS – WILSON STREET

MILL REMAINING EXISTING SURFACES.

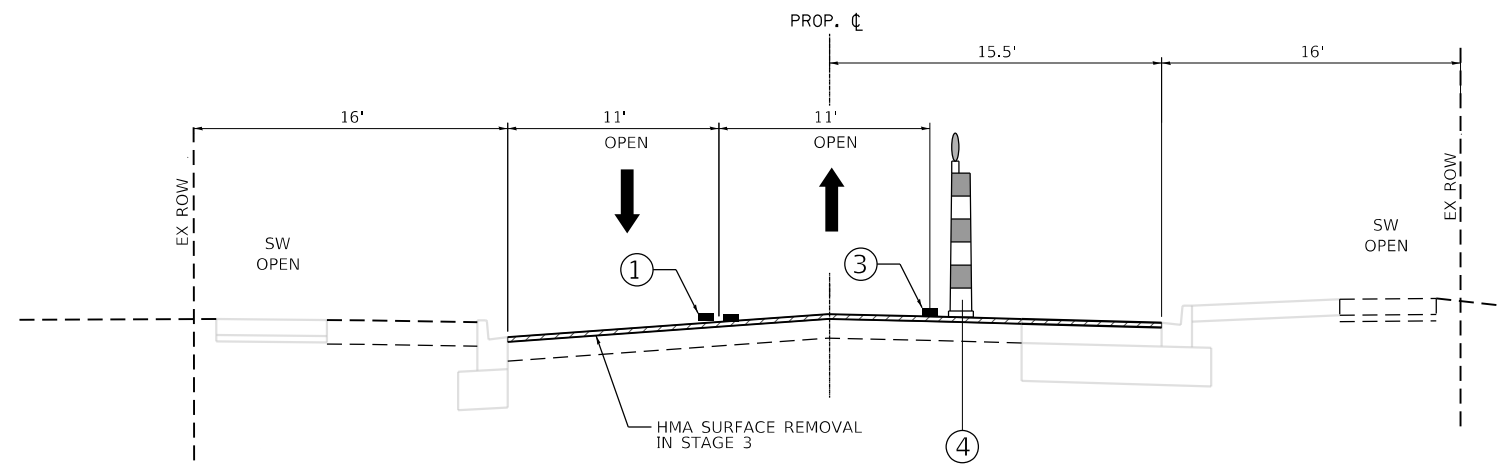
REMOVE DETOURS AND MAJOR TRAFFIC CONTROL ON PRAIRIE STREET. MAINTAIN WILSON STREET AS TWO-WAY TRAFFIC.

COMPLETE UTILITY FRAME AND LID ADJUSTMENTS, BITUMINOUS TACK COAT, AND HMA SURFACE COURSE UTILIZING FLAGMAN AND TRAFFIC CONTROL STANDARD 701501.

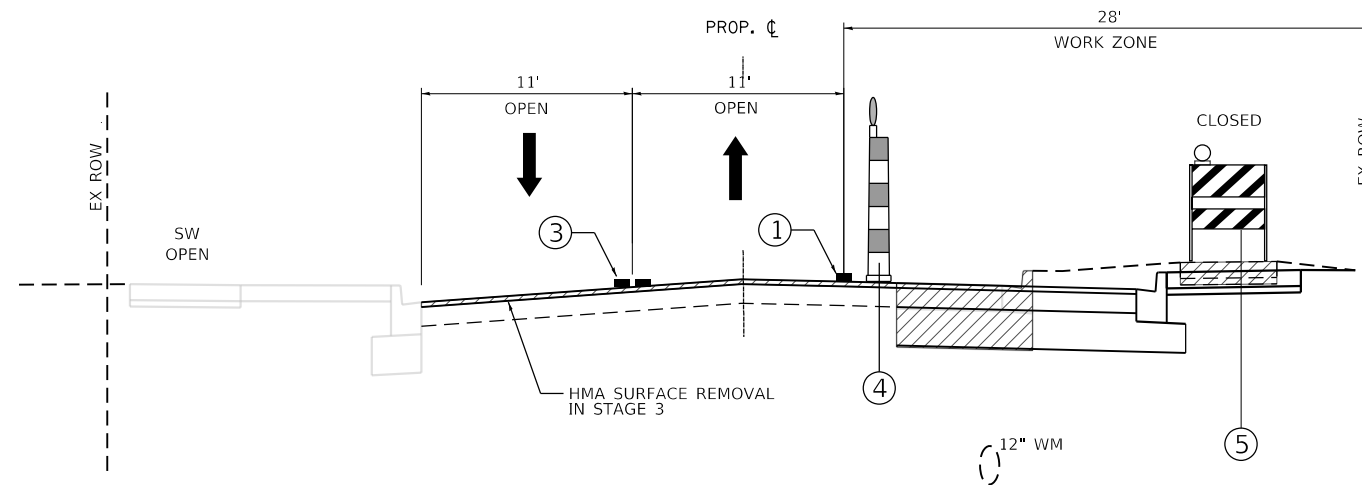
PLACE SHORT-TERM PAVEMENT MARKINGS.

COMPLETE TRAFFIC SIGNAL TURN-ON AND FINAL TIMING.

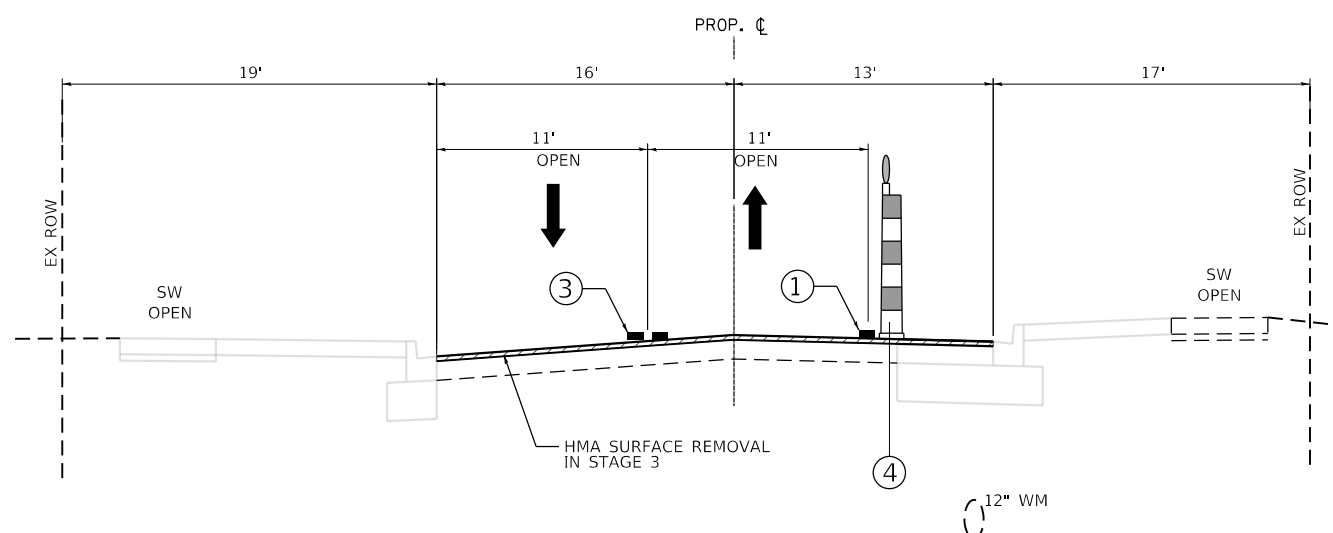
COMPLETE PERMANENT PAVEMENT MARKING AND SIGNING UTILIZING TRAFFIC CONTROL STANDARD 701311.



PROPOSED TYPICAL SECTION – STAGE 2, YEAR 2
STA. 92+37.00 TO STA. 94+93+00, WILSON STREET



PROPOSED TYPICAL SECTION – STAGE 2, YEAR 2
STA. 95+00.00 TO STA. 95+49.00, INTERSECTION OMISSION
STA. 95+49.00 TO STA. 96+74+00, WILSON STREET



PROPOSED TYPICAL SECTION – STAGE 2, YEAR 2
STA. 95+49.00 TO STA. 100+75.00, WILSON STREET

LEGEND

- ① TEMPORARY PAVEMENT MARKING LINE - 4" WHITE
- ② TEMPORARY PAVEMENT MARKING LINE - 4" YELLOW
- ③ TEMPORARY PAVEMENT MARKING LINE - 2-4" YELLOW
- ④ DRUM W/STEADY BURN LIGHT
- ⑤ DETECTABLE PEDESTRIAN BARRICADE W/CLOSED SIGN
- ⑥ HMA BINDER COURSE (NO SURFACE)
PCC BASE COURSE OR PCC BASE COURSE WIDENING
- ⑦ CLASS D PATCHES, 8"
- ⑧ AGGREGATE BASE COURSE, 12"
- ⑨ PR WATER MAIN, 12"
- ⑩ COMBINATION CONCRETE CURB AND GUTTER, TYPE B6-12
- ⑪ TEMPORARY CONCRETE BARRIER WALL
- ⑫ HMA SURFACE COURSE, 1 1/2"
HMA BINDER COURSE, 6 1/4"
- ⑬ HMA BINDER COURSE, 6 1/4" (NO SURFACE)

NOTE: TAPE TYPE III (ON FINAL SURFACES)
PAINT (ON HMA BINDER OR SURFACES TO BE REMOVED)
SHORT-TERM PAVEMENT MARKINGS (TAPE TYPE III)

LEGEND

- ➔ DIRECTION OF TRAFFIC FLOW
- ⦿ DRUM W/STEADY BURN LIGHT
- ▧ PEDESTRIAN BARRICADE W/SIDEWALK CLOSED SIGN
- TEMPORARY PAVEMENT MARKING
- ▨ REMOVAL AREA

TRANSYSTEMS
 1475 EAST WOODFIELD ROAD, SUITE 600
 SCHAUMBURG, ILLINOIS 60173
 (847) 605-9600

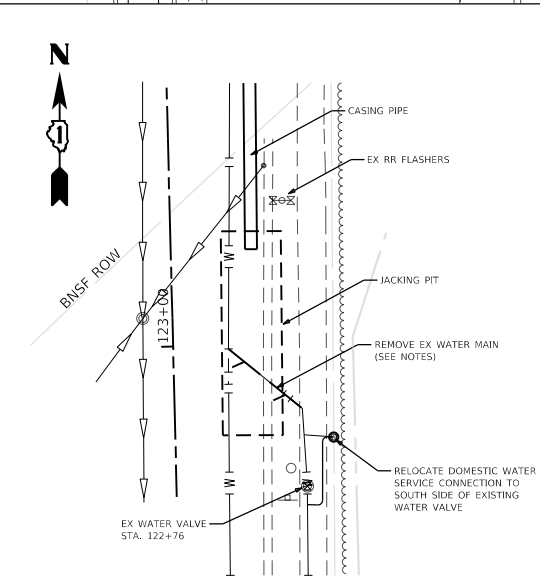
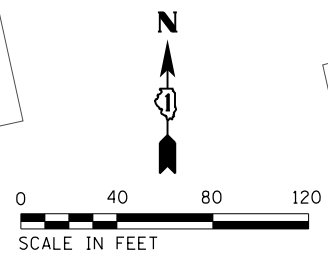
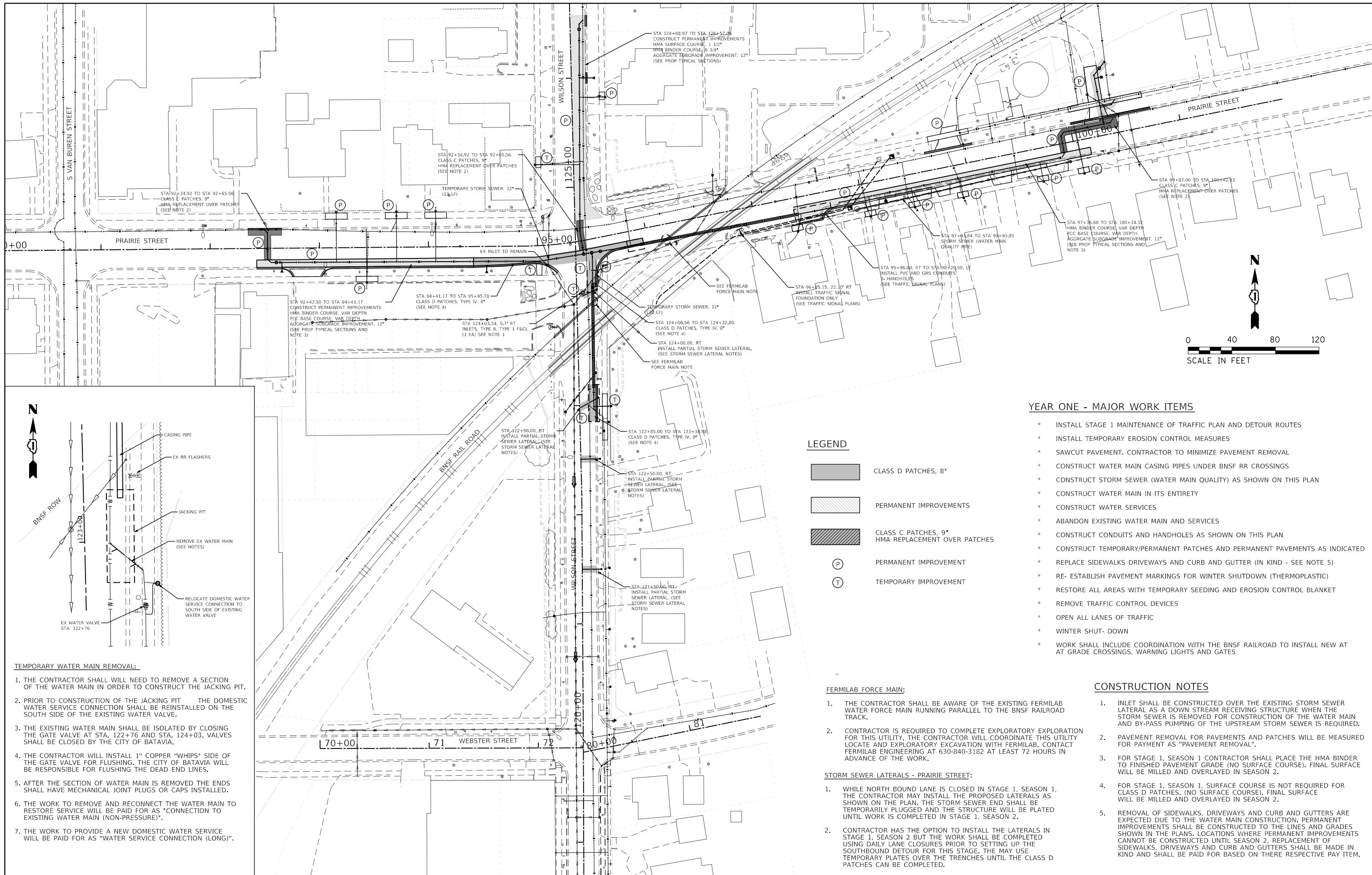
FILE NAME = sht-MOT_Typ.Stage2_season 2.dgn	USER NAME = sbpottorff	DESIGNED - SBP	REVISED -
Default		DRAWN - BMS	REVISED -
	PLOT SCALE = 10.0000' / in.	CHECKED - JLV	REVISED -
	PLOT DATE = 2/15/2023	DATE - 2/15/2023	REVISED -

**STATE OF ILLINOIS
DEPARTMENT OF TRANSPORTATION**

**PRAIRIE STREET AT WILSON STREET INTERSECTION IMPROVEMENTS
MAINTENANCE OF TRAFFIC – TYPICAL SECTIONS**

SCALE: NONE SHEET 6 OF 6 SHEETS STA. TO STA.

F.A.U. RTE.	SECTION	COUNTY	TOTAL SHEETS	SHEET NO.
2511	16-00086-01-FP	KANE	169	39
CONTRACT NO. 61J35				
ILLINOIS FED. AID PROJECT				



- TEMPORARY WATER MAIN REMOVAL:**
1. THE CONTRACTOR SHALL WILL NEED TO REMOVE A SECTION OF THE WATER MAIN IN ORDER TO CONSTRUCT THE JACKING PIT.
 2. PRIOR TO CONSTRUCTION OF THE JACKING PIT THE DOMESTIC WATER SERVICE CONNECTION SHALL BE REINSTALLED ON THE SOUTH SIDE OF THE EXISTING WATER VALVE.
 3. THE EXISTING WATER MAIN SHALL BE ISOLATED BY CLOSING THE GATE VALVE AT STA. 122+76 AND STA. 124+03. VALVES SHALL BE CLOSED BY THE CITY OF BATAVIA.
 4. THE CONTRACTOR WILL INSTALL 1" COPPER "WHIPS" SIDE OF THE GATE VALVE FOR FLUSHING. THE CITY OF BATAVIA WILL BE RESPONSIBLE FOR FLUSHING THE DEAD END LINES.
 5. AFTER THE SECTION OF WATER MAIN IS REMOVED THE ENDS SHALL HAVE MECHANICAL JOINT PLUGS OR CAPS INSTALLED.
 6. THE WORK TO REMOVE AND RECONNECT THE WATER MAIN TO RESTORE SERVICE WILL BE PAID FOR AS "CONNECTION TO EXISTING WATER MAIN (NON-PRESSURE)".
 7. THE WORK TO PROVIDE A NEW DOMESTIC WATER SERVICE WILL BE PAID FOR AS "WATER SERVICE CONNECTION (LONG)".

- LEGEND**
- CLASS D PATCHES, 8"
 - PERMANENT IMPROVEMENTS
 - CLASS C PATCHES, 9" HMA REPLACEMENT OVER PATCHES
 - PERMANENT IMPROVEMENT
 - TEMPORARY IMPROVEMENT

- YEAR ONE - MAJOR WORK ITEMS**
- * INSTALL STAGE 1 MAINTENANCE OF TRAFFIC PLAN AND DETOUR ROUTES
 - * INSTALL TEMPORARY EROSION CONTROL MEASURES
 - * SAWCUT PAVEMENT. CONTRACTOR TO MINIMIZE PAVEMENT REMOVAL
 - * CONSTRUCT WATER MAIN CASING PIPES UNDER BNSF RR CROSSINGS
 - * CONSTRUCT STORM SEWER (WATER MAIN QUALITY) AS SHOWN ON THIS PLAN
 - * CONSTRUCT WATER MAIN IN ITS ENTIRETY
 - * CONSTRUCT WATER SERVICES
 - * ABANDON EXISTING WATER MAIN AND SERVICES
 - * CONSTRUCT CONDUITS AND HANDHOLES AS SHOWN ON THIS PLAN
 - * CONSTRUCT TEMPORARY/PERMANENT PATCHES AND PERMANENT PAVEMENTS AS INDICATED
 - * REPLACE SIDEWALKS DRIVEWAYS AND CURB AND GUTTER (IN KIND - SEE NOTE 5)
 - * RE- ESTABLISH PAVEMENT MARKINGS FOR WINTER SHUTDOWN (THERMOPLASTIC)
 - * RESTORE ALL AREAS WITH TEMPORARY SEEDING AND EROSION CONTROL BLANKET
 - * REMOVE TRAFFIC CONTROL DEVICES
 - * OPEN ALL LANES OF TRAFFIC
 - * WINTER SHUT- DOWN
 - * WORK SHALL INCLUDE COORDINATION WITH THE BNSF RAILROAD TO INSTALL NEW AT GRADE CROSSINGS, WARNING LIGHTS AND GATES

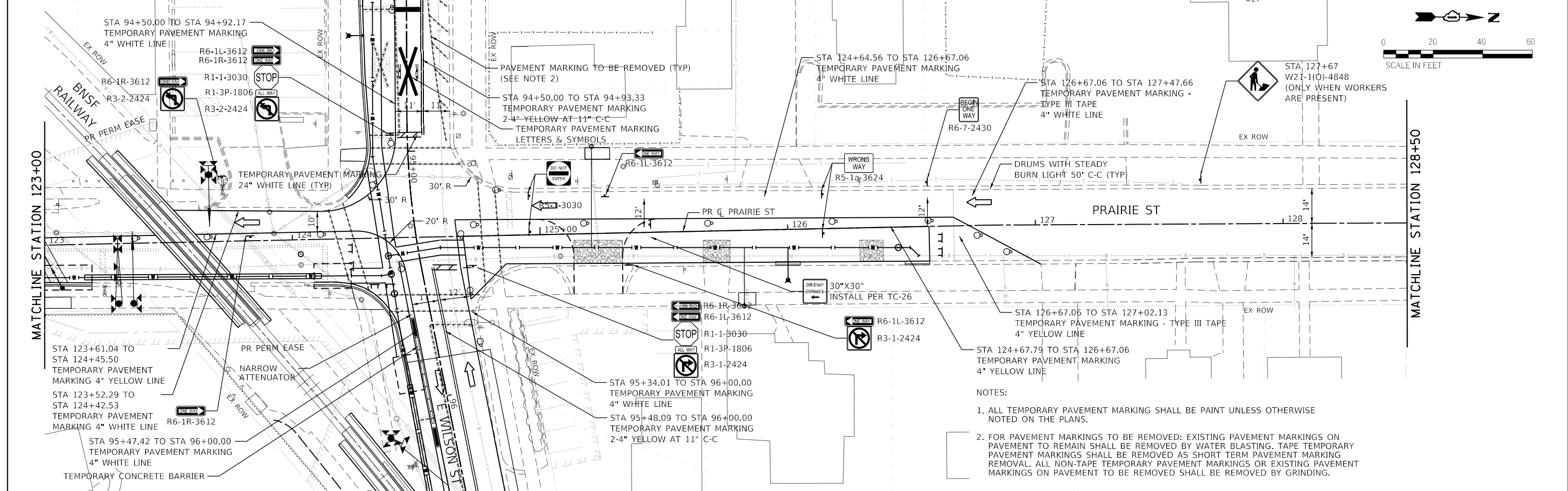
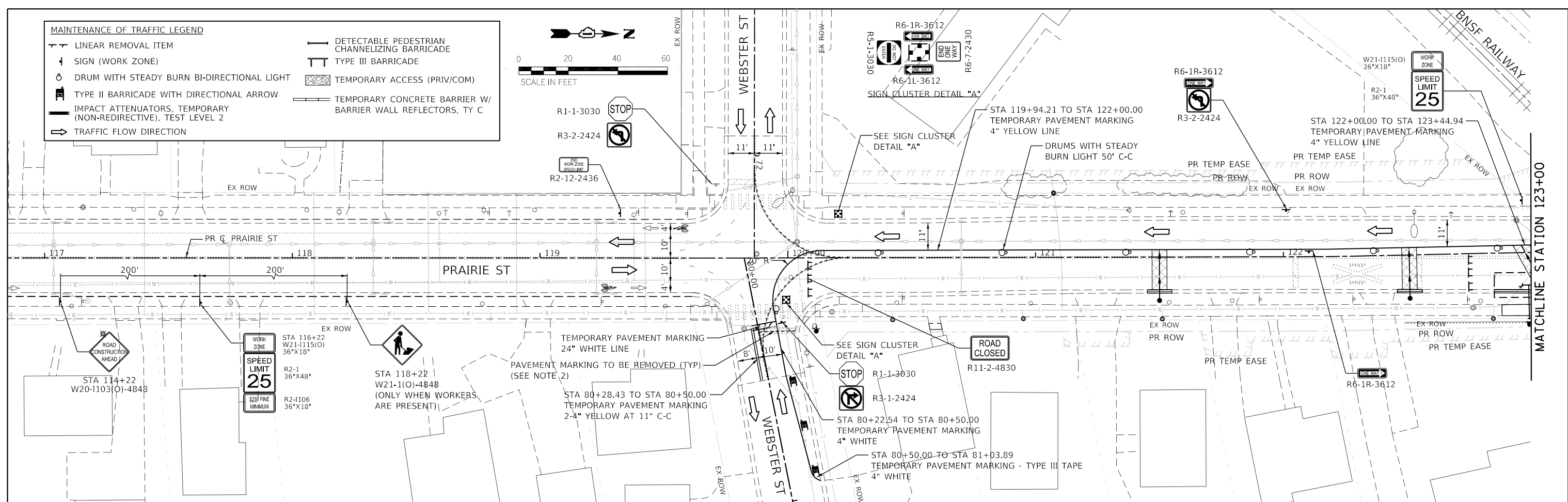
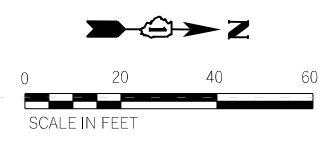
- FERMLAB FORCE MAIN:**
1. THE CONTRACTOR SHALL BE AWARE OF THE EXISTING FERMLAB WATER FORCE MAIN RUNNING PARALLEL TO THE BNSF RAILROAD TRACK.
 2. CONTRACTOR IS REQUIRED TO COMPLETE EXPLORATORY EXCAVATION FOR THIS UTILITY. THE CONTRACTOR WILL COORDINATE THIS UTILITY LOCATE AND EXPLORATORY EXCAVATION WITH FERMLAB. CONTACT FERMLAB ENGINEERING AT 630-840-3182 AT LEAST 72 HOURS IN ADVANCE OF THE WORK.

- STORM SEWER LATERALS - PRAIRIE STREET:**
1. WHILE NORTH BOUND LANE IS CLOSED IN STAGE 1, SEASON 1, THE CONTRACTOR MAY INSTALL THE PROPOSED LATERALS AS SHOWN ON THE PLAN. THE STORM SEWER END SHALL BE TEMPORARILY PLUGGED AND THE STRUCTURE WILL BE PLATED UNTIL WORK IS COMPLETED IN STAGE 1, SEASON 2.
 2. CONTRACTOR HAS THE OPTION TO INSTALL THE LATERALS IN STAGE 1, SEASON 2 BUT THE WORK SHALL BE COMPLETED USING DAILY LANE CLOSURES PRIOR TO SETTING UP THE SOUTHBOUND DETOUR FOR THIS STAGE. THE MAY USE TEMPORARY PLATES OVER THE TRENCHES UNTIL THE CLASS D PATCHES CAN BE COMPLETED.

- CONSTRUCTION NOTES**
1. INLET SHALL BE CONSTRUCTED OVER THE EXISTING STORM SEWER LATERAL AS A DOWN STREAM RECEIVING STRUCTURE WHEN THE STORM SEWER IS REMOVED FOR CONSTRUCTION OF THE WATER MAIN AND BY-PASS PUMPING OF THE UPSTREAM STORM SEWER IS REQUIRED.
 2. PAVEMENT REMOVAL FOR PAVEMENTS AND PATCHES WILL BE MEASURED FOR PAYMENT AS "PAVEMENT REMOVAL".
 3. FOR STAGE 1, SEASON 1 CONTRACTOR SHALL PLACE THE HMA BINDER TO FINISHED PAVEMENT GRADE (NO SURFACE COURSE). FINAL SURFACE WILL BE MILLED AND OVERLAYED IN SEASON 2.
 4. FOR STAGE 1, SEASON 1, SURFACE COURSE IS NOT REQUIRED FOR CLASS D PATCHES. (NO SURFACE COURSE). FINAL SURFACE WILL BE MILLED AND OVERLAYED IN SEASON 2.
 5. REMOVAL OF SIDEWALKS, DRIVEWAYS AND CURB AND GUTTERS ARE EXPECTED DUE TO THE WATER MAIN CONSTRUCTION. PERMANENT IMPROVEMENTS SHALL BE CONSTRUCTED TO THE LINES AND GRADES SHOWN IN THE PLANS. LOCATIONS WHERE PERMANENT IMPROVEMENTS CANNOT BE CONSTRUCTED UNTIL SEASON 2. REPLACEMENT OF SIDEWALKS, DRIVEWAYS AND CURB AND GUTTERS SHALL BE MADE IN KIND AND SHALL BE PAID FOR BASED ON THERE RESPECTIVE PAY ITEM.

FILE NAME = Season_One Work.dgn	USER NAME = sbpottorff	DESIGNED - SBP	REVISED -	STATE OF ILLINOIS DEPARTMENT OF TRANSPORTATION	PRAIRIE STREET AT WILSON STREET INTERSECTION IMPROVEMENTS YEAR-ONE CONSTRUCTION WORK	SCALE: 1" = 40'	SHEET 1 OF 1 SHEETS	STA. TO STA.	F.A.U. RTE. SECTION COUNTY TOTAL SHEETS SHEET NO.
Default	PLOT SCALE = 80.0000' / in.	CHECKED - JLV	REVISED -			2511 16-00086-01-FP KANE 169 40			
	PLOT DATE = 2/15/2023	DATE - 2/15/2023	REVISED -			CONTRACT NO. 61J35		ILLINOIS FED. AID PROJECT	

MAINTENANCE OF TRAFFIC LEGEND	
— T —	LINEAR REMOVAL ITEM
+	SIGN (WORK ZONE)
⊙	DRUM WITH STEADY BURN BI-DIRECTIONAL LIGHT
↔	TYPE II BARRICADE WITH DIRECTIONAL ARROW
—	IMPACT ATTENUATORS, TEMPORARY (NON-REDIRECTIVE), TEST LEVEL 2
→	TRAFFIC FLOW DIRECTION
—	DETECTABLE PEDESTRIAN CHANNELIZING BARRICADE
—	TYPE III BARRICADE
—	TEMPORARY ACCESS (PRIV/COM)
—	TEMPORARY CONCRETE BARRIER W/ BARRIER WALL REFLECTORS, TY C



- NOTES:
1. ALL TEMPORARY PAVEMENT MARKING SHALL BE PAINT UNLESS OTHERWISE NOTED ON THE PLANS.
 2. FOR PAVEMENT MARKINGS TO BE REMOVED: EXISTING PAVEMENT MARKINGS ON PAVEMENT TO REMAIN SHALL BE REMOVED BY WATER BLASTING. TAPE TEMPORARY PAVEMENT MARKINGS SHALL BE REMOVED AS SHORT TERM PAVEMENT MARKING REMOVAL. ALL NON-TAPE TEMPORARY PAVEMENT MARKINGS OR EXISTING PAVEMENT MARKINGS ON PAVEMENT TO BE REMOVED SHALL BE REMOVED BY GRINDING.

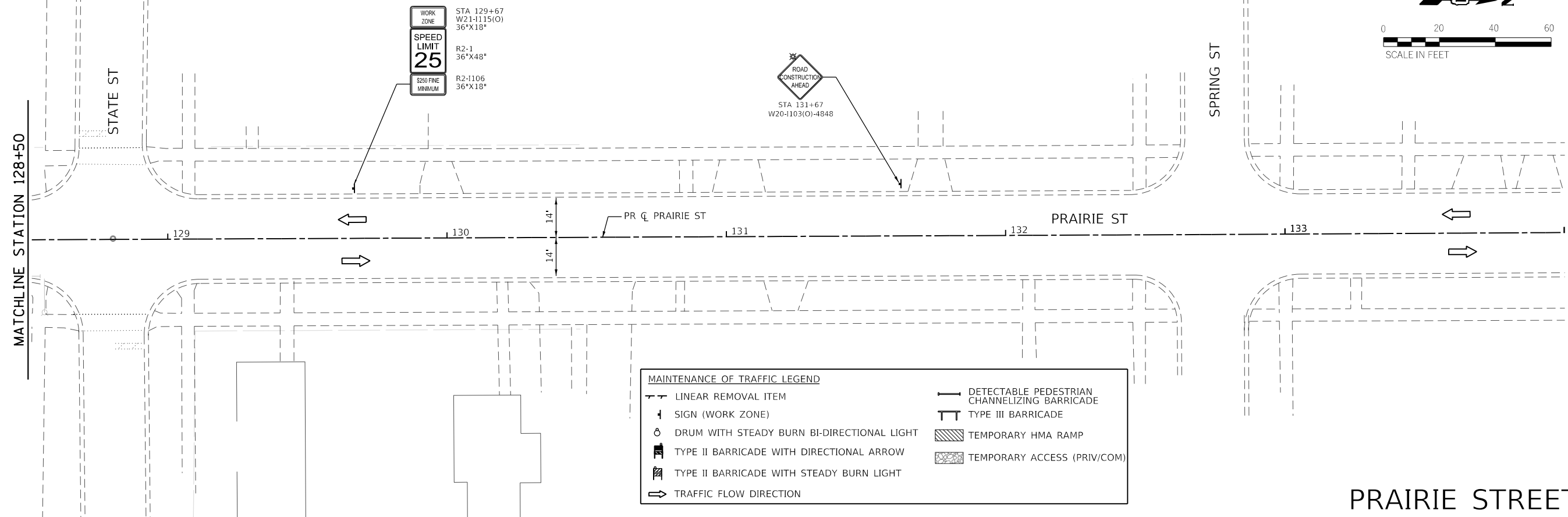
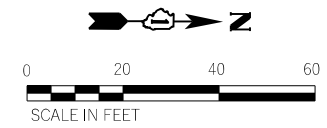
FILE NAME = sht-Staging-Stage1 Seal-01.dgn	USER NAME = sbpottorff	DESIGNED - SBP	REVISED -
Default	PLOT SCALE = 40.0000' / in.	DRAWN - BMS	REVISED -
	PLOT DATE = 2/15/2023	CHECKED - JLV	REVISED -
		DATE - 2/15/2023	REVISED -

**STATE OF ILLINOIS
 DEPARTMENT OF TRANSPORTATION**

**PRAIRIE STREET AT WILSON STREET INTERSECTION IMPROVEMENTS
 MAINTENANCE OF TRAFFIC - STAGE 1, YEAR 1**

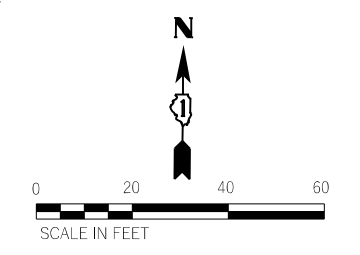
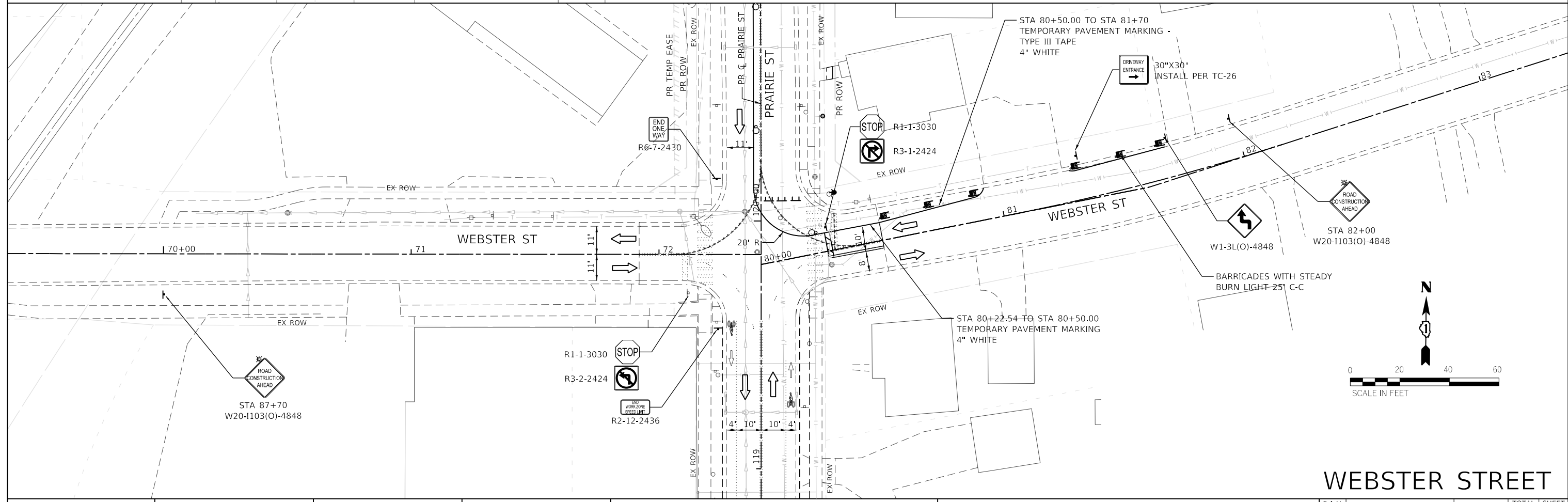
SCALE: 1"=20' SHEET 1 OF 12 SHEETS STA. 117+00 TO STA. 128+50

F.A.U. RTE.	SECTION	COUNTY	TOTAL SHEETS	SHEET NO.
2511	16-00086-01-FP	KANE	169	41
CONTRACT NO. 61J35				
ILLINOIS FED. AID PROJECT				



MAINTENANCE OF TRAFFIC LEGEND	
	LINEAR REMOVAL ITEM
	SIGN (WORK ZONE)
	DRUM WITH STEADY BURN BI-DIRECTIONAL LIGHT
	TYPE II BARRICADE WITH DIRECTIONAL ARROW
	TYPE II BARRICADE WITH STEADY BURN LIGHT
	TRAFFIC FLOW DIRECTION
	DETECTABLE PEDESTRIAN CHANNELIZING BARRICADE
	TYPE III BARRICADE
	TEMPORARY HMA RAMP
	TEMPORARY ACCESS (PRIV/COM)

PRAIRIE STREET



WEBSTER STREET

TRANSYSTEMS
 1475 EAST WOODFIELD ROAD, SUITE 600
 SCHAMUNBURG, ILLINOIS 60173
 (847) 605-9600

FILE NAME = sht-Staging-Stage1 Seal-02.dgn
 Default

USER NAME = sbpottorff	DESIGNED - SBP	REVISED -
PLOT SCALE = 40.0000' / in.	DRAWN - BMS	REVISED -
PLOT DATE = 2/15/2023	CHECKED - JLJ	REVISED -
	DATE - 2/15/2023	REVISED -

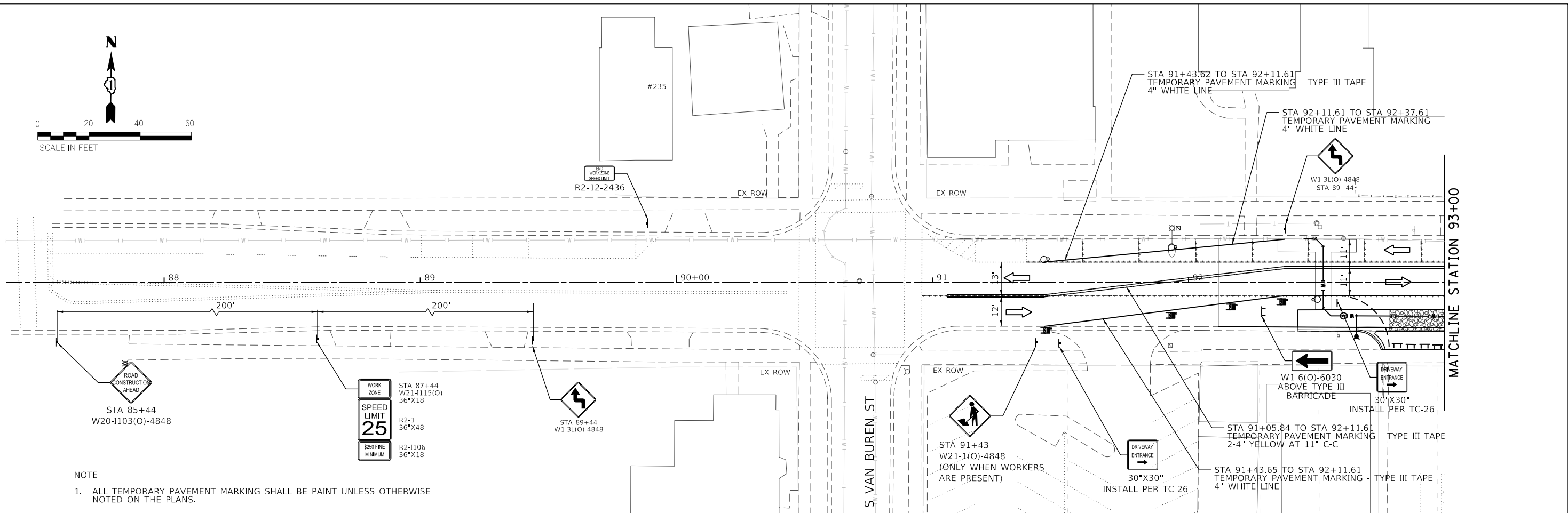
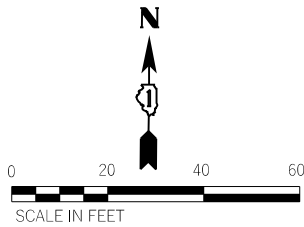
DESIGNED - SBP	REVISED -
DRAWN - BMS	REVISED -
CHECKED - JLJ	REVISED -
DATE - 2/15/2023	REVISED -

**STATE OF ILLINOIS
DEPARTMENT OF TRANSPORTATION**

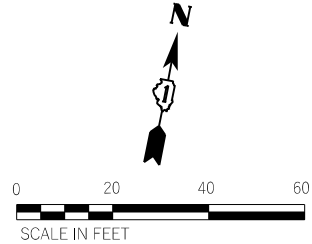
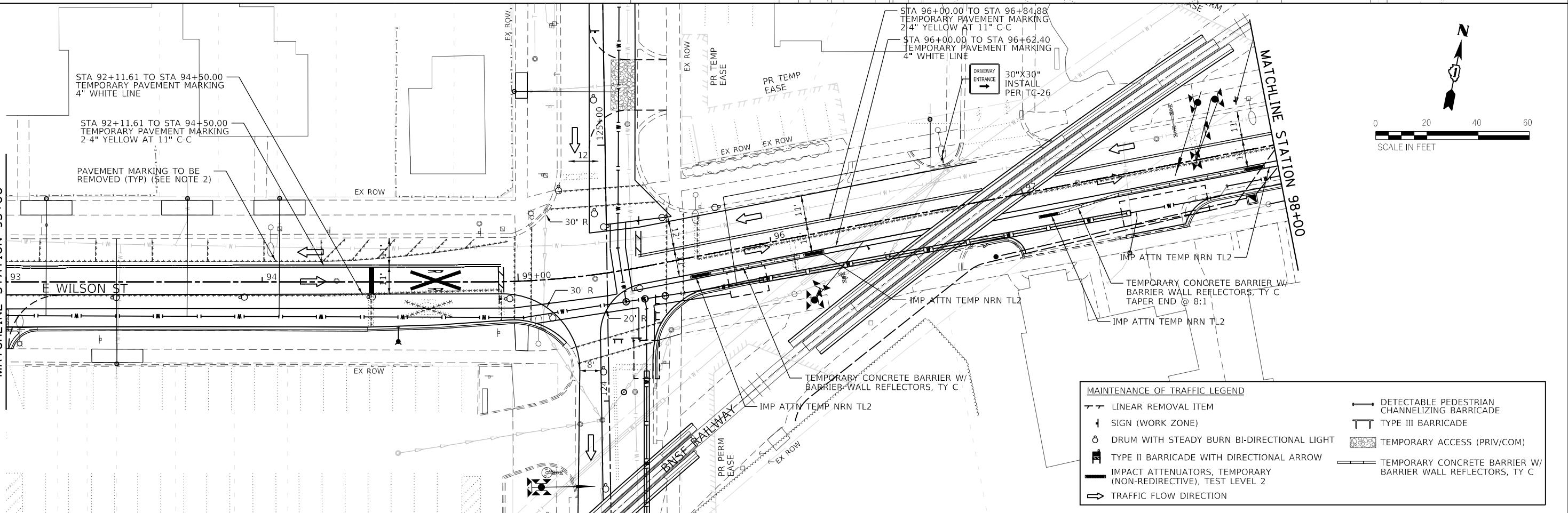
**PRAIRIE STREET AT WILSON STREET INTERSECTION IMPROVEMENTS
MAINTENANCE OF TRAFFIC - STAGE 1, YEAR 1**

SCALE: 1"=20' SHEET 2 OF 12 SHEETS STA. N/A TO STA. N/A

F.A.U. RTE.	SECTION	COUNTY	TOTAL SHEETS	SHEET NO.
2511	16-00086-01-FP	KANE	169	42
CONTRACT NO. 61J35				
		ILLINOIS	FED. AID PROJECT	



NOTE
 1. ALL TEMPORARY PAVEMENT MARKING SHALL BE PAINT UNLESS OTHERWISE NOTED ON THE PLANS.



MAINTENANCE OF TRAFFIC LEGEND	
	LINEAR REMOVAL ITEM
	SIGN (WORK ZONE)
	DRUM WITH STEADY BURN BI-DIRECTIONAL LIGHT
	TYPE II BARRICADE WITH DIRECTIONAL ARROW
	IMPACT ATTENUATORS, TEMPORARY (NON-REDIRECTIVE), TEST LEVEL 2
	TRAFFIC FLOW DIRECTION
	DETECTABLE PEDESTRIAN CHANNELIZING BARRICADE
	TYPE III BARRICADE
	TEMPORARY ACCESS (PRIV/COM)
	TEMPORARY CONCRETE BARRIER W/ BARRIER WALL REFLECTORS, TY C

TRANSYSTEMS
 1475 EAST WOODFIELD ROAD, SUITE 600
 SCHAMUNBURG, ILLINOIS 60173
 (847) 605-9600

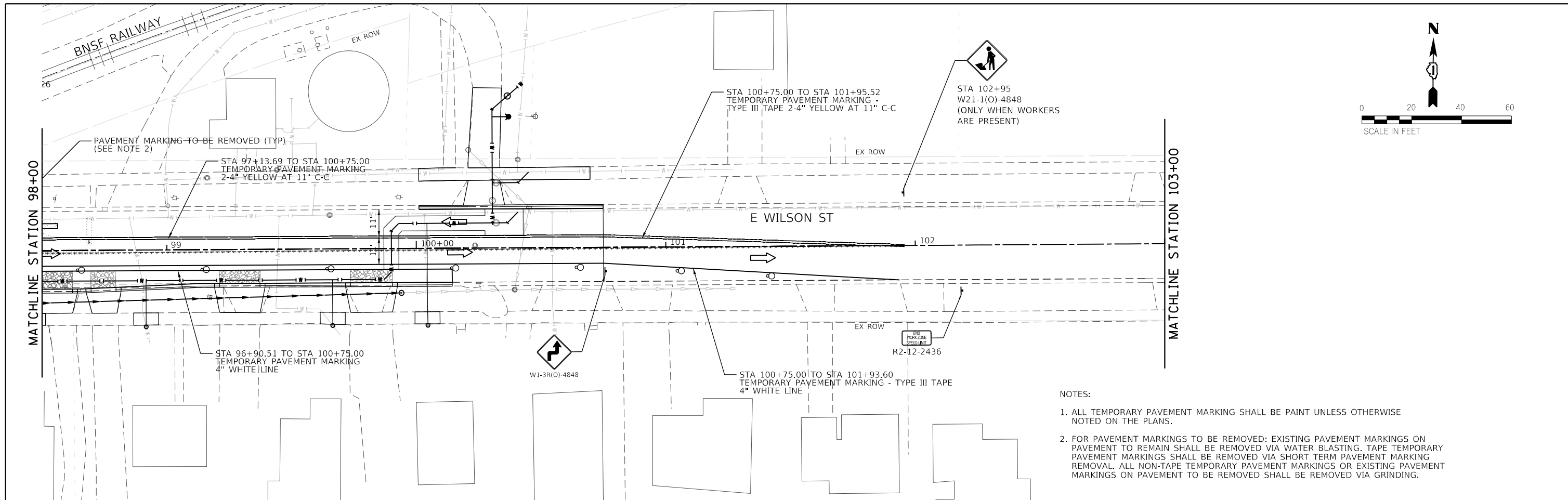
FILE NAME = sht-Staging-Stage1 Seal-03.dgn	USER NAME = sbpottorff	DESIGNED - SBP	REVISED -
PLOT SCALE = 40.0000' / in.	CHECKED - JLW	DRAWN - BMS	REVISED -
PLOT DATE = 2/15/2023	DATE - 2/15/2023		REVISED -

STATE OF ILLINOIS
DEPARTMENT OF TRANSPORTATION

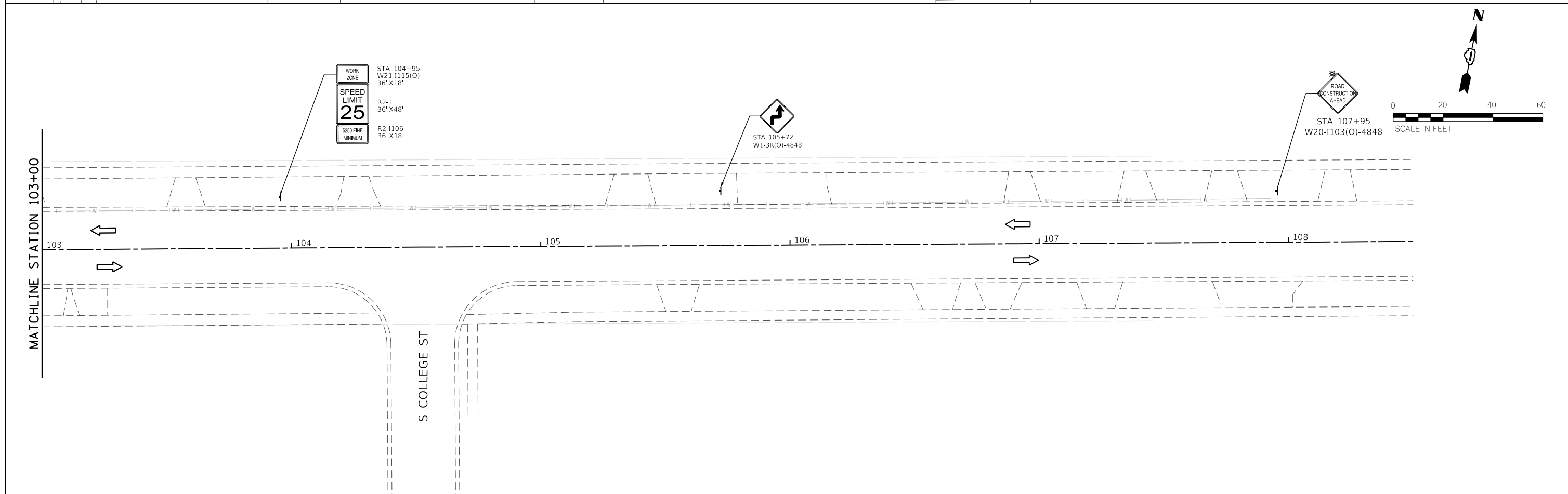
PRAIRIE STREET AT WILSON STREET INTERSECTION IMPROVEMENTS
MAINTENANCE OF TRAFFIC - STAGE 1, YEAR 1

SCALE: 1"=20' SHEET 3 OF 12 SHEETS STA. 87+50 TO STA. 98+00

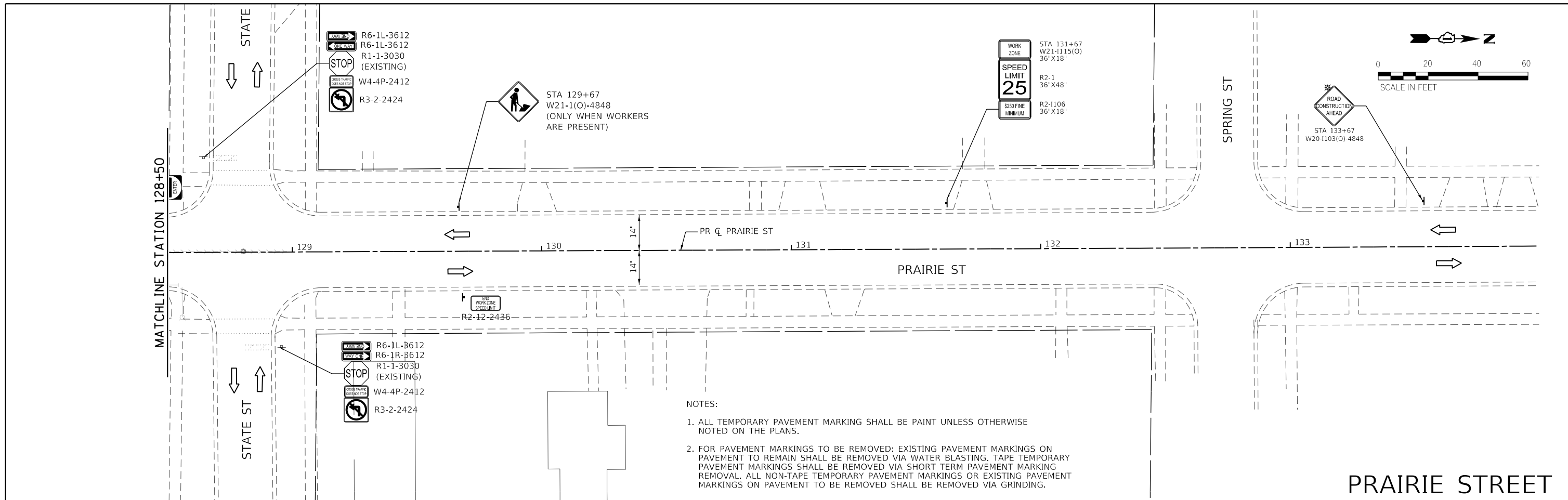
F.A.U. RTE. 2511	SECTION 16-00086-01-FP	COUNTY KANE	TOTAL SHEETS 169	SHEET NO. 43
				CONTRACT NO. 61J35
ILLINOIS FED. AID PROJECT				



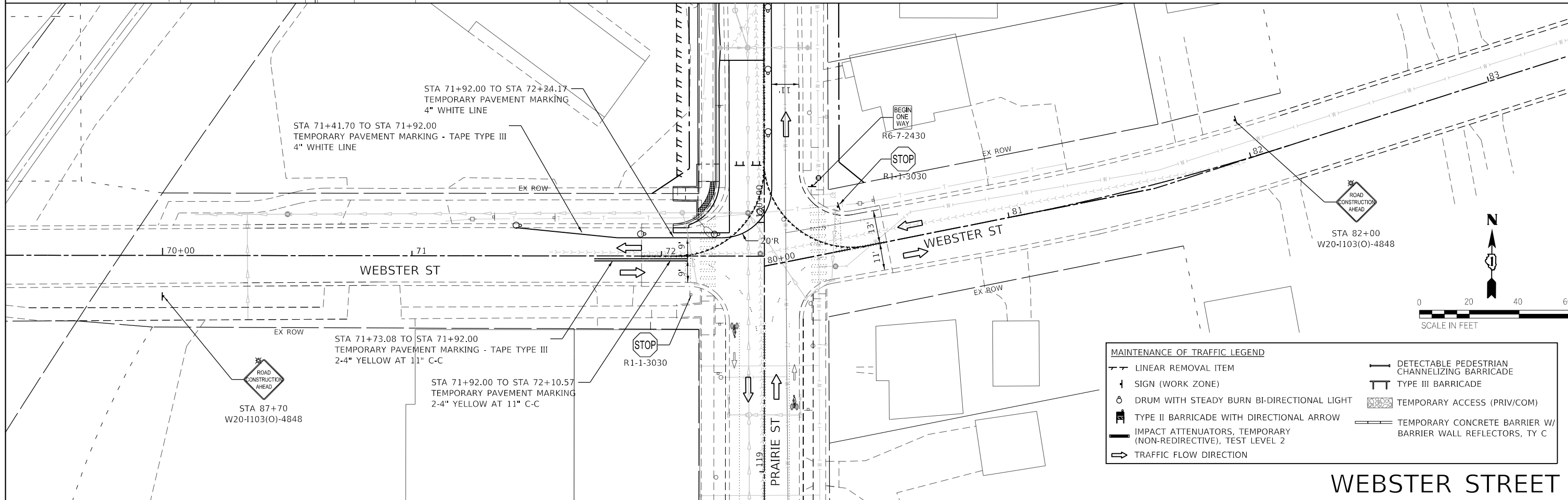
- NOTES:
1. ALL TEMPORARY PAVEMENT MARKING SHALL BE PAINT UNLESS OTHERWISE NOTED ON THE PLANS.
 2. FOR PAVEMENT MARKINGS TO BE REMOVED: EXISTING PAVEMENT MARKINGS ON PAVEMENT TO REMAIN SHALL BE REMOVED VIA WATER BLASTING. TAPE TEMPORARY PAVEMENT MARKINGS SHALL BE REMOVED VIA SHORT TERM PAVEMENT MARKING REMOVAL. ALL NON-TAPE TEMPORARY PAVEMENT MARKINGS OR EXISTING PAVEMENT MARKINGS ON PAVEMENT TO BE REMOVED SHALL BE REMOVED VIA GRINDING.



FILE NAME = sht-Staging-Stage1 Seal-04.dgn	USER NAME = sbpottorff	DESIGNED - SBP	REVISED -	STATE OF ILLINOIS DEPARTMENT OF TRANSPORTATION	PRAIRIE STREET AT WILSON STREET INTERSECTION IMPROVEMENTS MAINTENANCE OF TRAFFIC - STAGE 1, YEAR 1	F.A.U. RTE. = 2511	SECTION = 16-00086-01-FP	COUNTY = KANE	TOTAL SHEETS = 169	SHEET NO. = 44		
Default	PLOT SCALE = 40.0000' / in.	CHECKED - JLV	REVISED -			SCALE: 1"=20'	SHEET 4 OF 12 SHEETS	STA. 98+00	TO STA. 108+50	CONTRACT NO. 61J35		
	PLOT DATE = 2/15/2023	DATE = 2/15/2023	REVISED -			ILLINOIS FED. AID PROJECT						



NOTES:
 1. ALL TEMPORARY PAVEMENT MARKING SHALL BE PAINT UNLESS OTHERWISE NOTED ON THE PLANS.
 2. FOR PAVEMENT MARKINGS TO BE REMOVED: EXISTING PAVEMENT MARKINGS ON PAVEMENT TO REMAIN SHALL BE REMOVED VIA WATER BLASTING. TAPE TEMPORARY PAVEMENT MARKINGS SHALL BE REMOVED VIA SHORT TERM PAVEMENT MARKING REMOVAL. ALL NON-TAPE TEMPORARY PAVEMENT MARKINGS OR EXISTING PAVEMENT MARKINGS ON PAVEMENT TO BE REMOVED SHALL BE REMOVED VIA GRINDING.



MAINTENANCE OF TRAFFIC LEGEND	
	LINEAR REMOVAL ITEM
	SIGN (WORK ZONE)
	DRUM WITH STEADY BURN BI-DIRECTIONAL LIGHT
	TYPE II BARRICADE WITH DIRECTIONAL ARROW
	IMPACT ATTENUATORS, TEMPORARY (NON-REDIRECTIVE), TEST LEVEL 2
	TRAFFIC FLOW DIRECTION
	DETECTABLE PEDESTRIAN CHANNELIZING BARRICADE
	TYPE III BARRICADE
	TEMPORARY ACCESS (PRIV/COM)
	TEMPORARY CONCRETE BARRIER W/ BARRIER WALL REFLECTORS, TY C

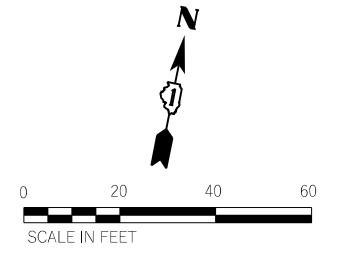
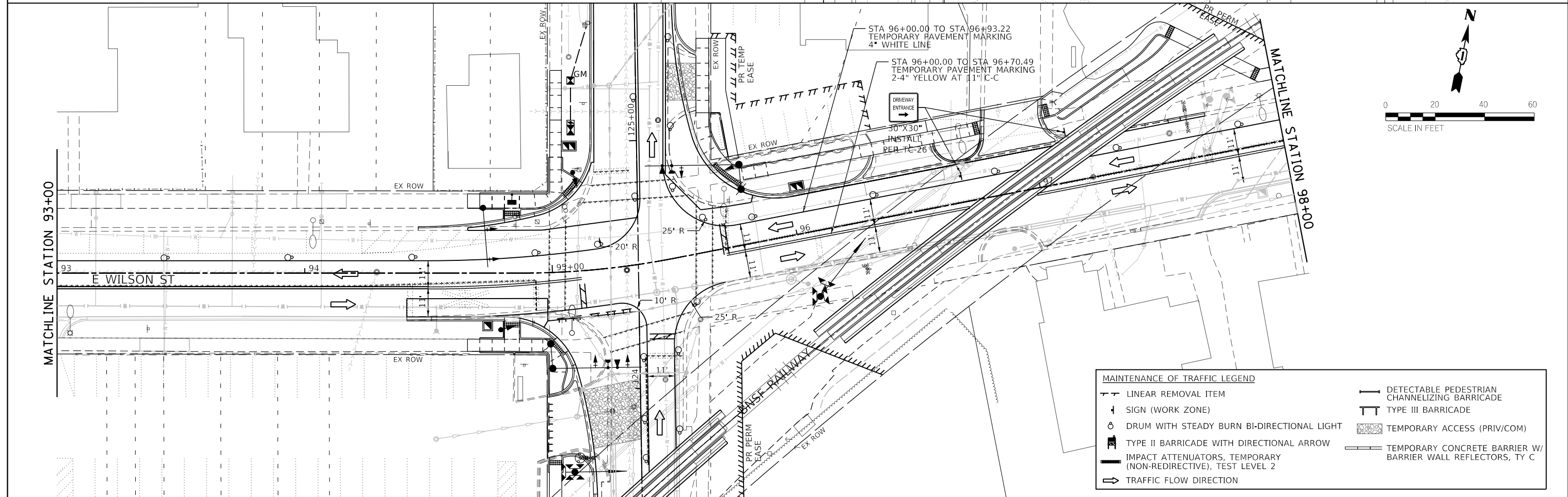
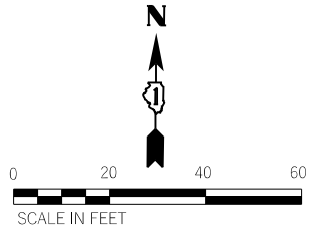
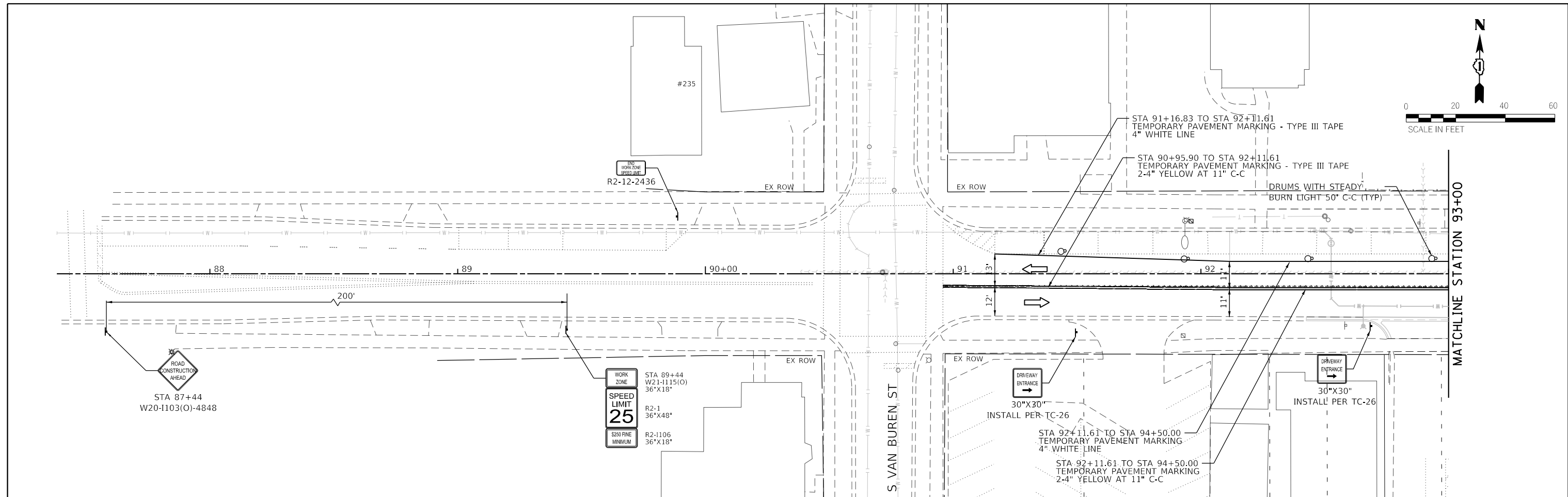
FILE NAME = sht-Staging-Stage1 Sea2-02.dgn	USER NAME = sbpottorff	DESIGNED - SBP	REVISED -
Default		DRAWN - BMS	REVISED -
		CHECKED - JLV	REVISED -
		DATE - 2/15/2023	REVISED -

**STATE OF ILLINOIS
 DEPARTMENT OF TRANSPORTATION**

**PRAIRIE STREET AT WILSON STREET INTERSECTION IMPROVEMENTS
 MAINTENANCE OF TRAFFIC - STAGE 1, YEAR 2**

SCALE: 1"=20' SHEET 6 OF 12 SHEETS STA. N/A TO STA. N/A

F.A.U. RTE. 2511	SECTION 16-00086-01-FP	COUNTY KANE	TOTAL SHEETS 169	SHEET NO. 46
CONTRACT NO. 61J35				
ILLINOIS FED. AID PROJECT				



MAINTENANCE OF TRAFFIC LEGEND	
	LINEAR REMOVAL ITEM
	SIGN (WORK ZONE)
	DRUM WITH STEADY BURN BI-DIRECTIONAL LIGHT
	TYPE II BARRICADE WITH DIRECTIONAL ARROW
	IMPACT ATTENUATORS, TEMPORARY (NON-REDIRECTIVE), TEST LEVEL 2
	TRAFFIC FLOW DIRECTION
	DETECTABLE PEDESTRIAN CHANNELIZING BARRICADE
	TYPE III BARRICADE
	TEMPORARY ACCESS (PRIV/COM)
	TEMPORARY CONCRETE BARRIER W/ BARRIER WALL REFLECTORS, TY C

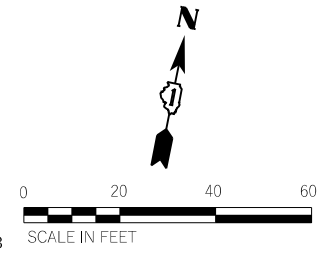
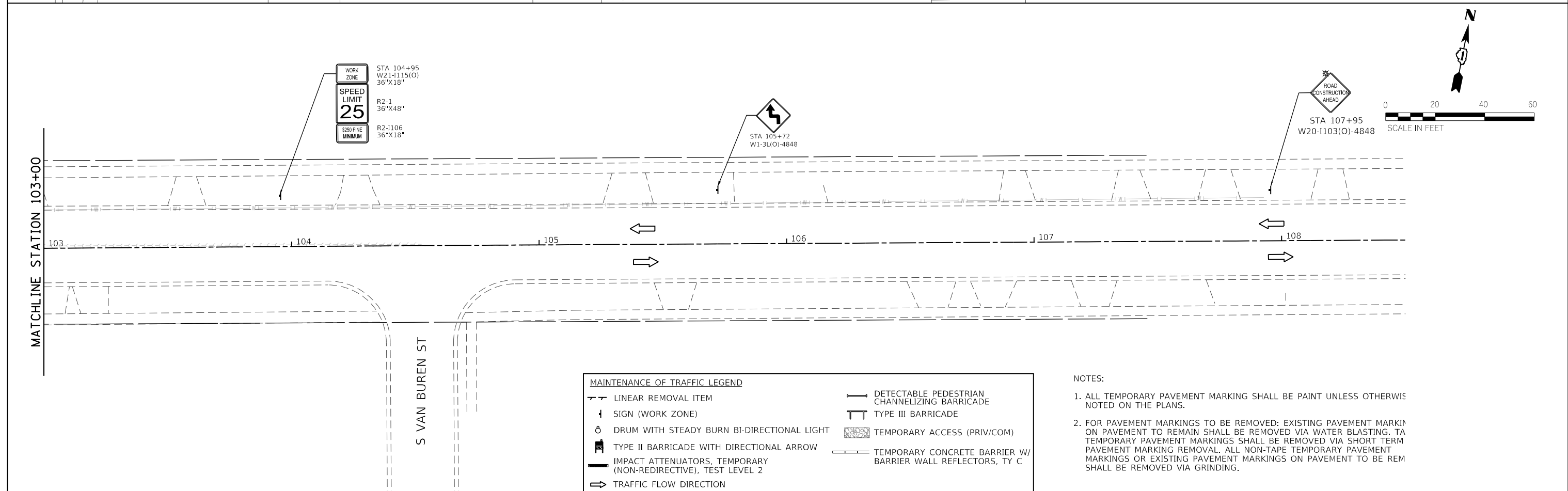
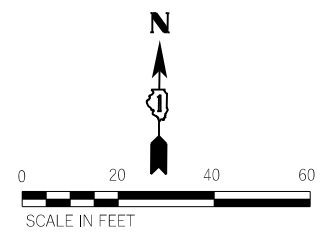
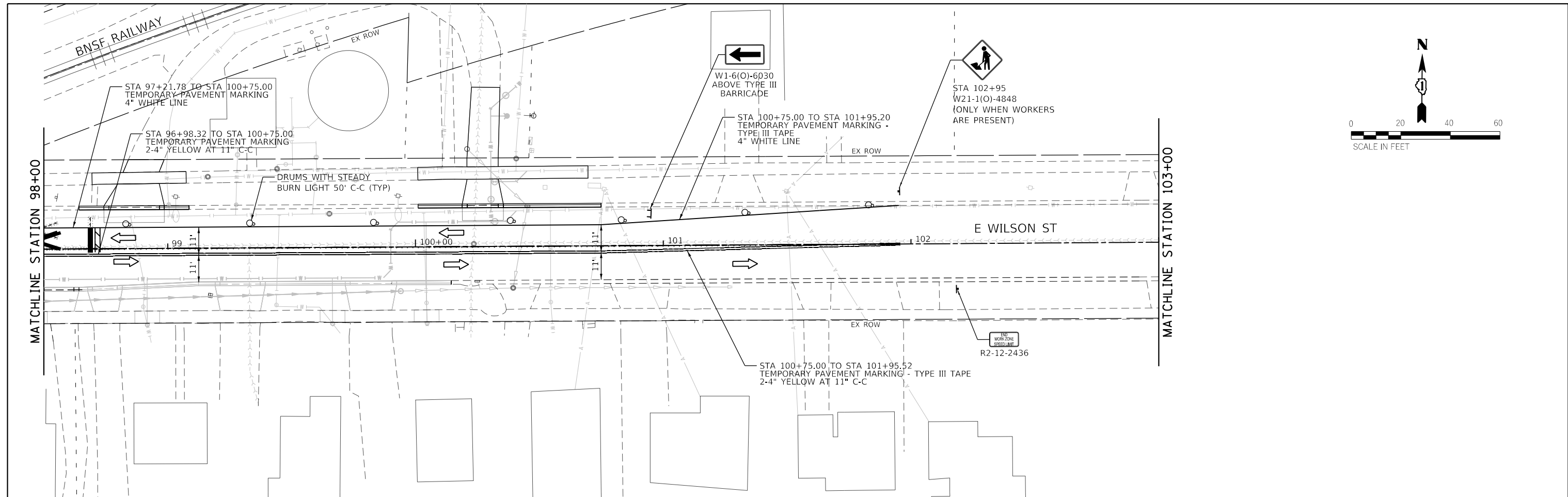
FILE NAME = sht-Staging-Stage1 Sea2-03.dgn	USER NAME = sbpottorff	DESIGNED - SBP	REVISED -
Default	PLOT SCALE = 40.0000' / in.	DRAWN - BMS	REVISED -
	PLOT DATE = 2/15/2023	CHECKED - JLV	REVISED -
		DATE - 2/15/2023	REVISED -

**STATE OF ILLINOIS
 DEPARTMENT OF TRANSPORTATION**

**PRAIRIE STREET AT WILSON STREET INTERSECTION IMPROVEMENTS
 MAINTENANCE OF TRAFFIC - STAGE 1, YEAR 2**

SCALE: 1"=20' SHEET 7 OF 12 SHEETS STA. 87+50 TO STA. 98+00

F.A.U. RTE.	SECTION	COUNTY	TOTAL SHEETS	SHEET NO.
2511	16-00086-01-FP	KANE	169	47
CONTRACT NO. 61J35				
ILLINOIS FED. AID PROJECT				

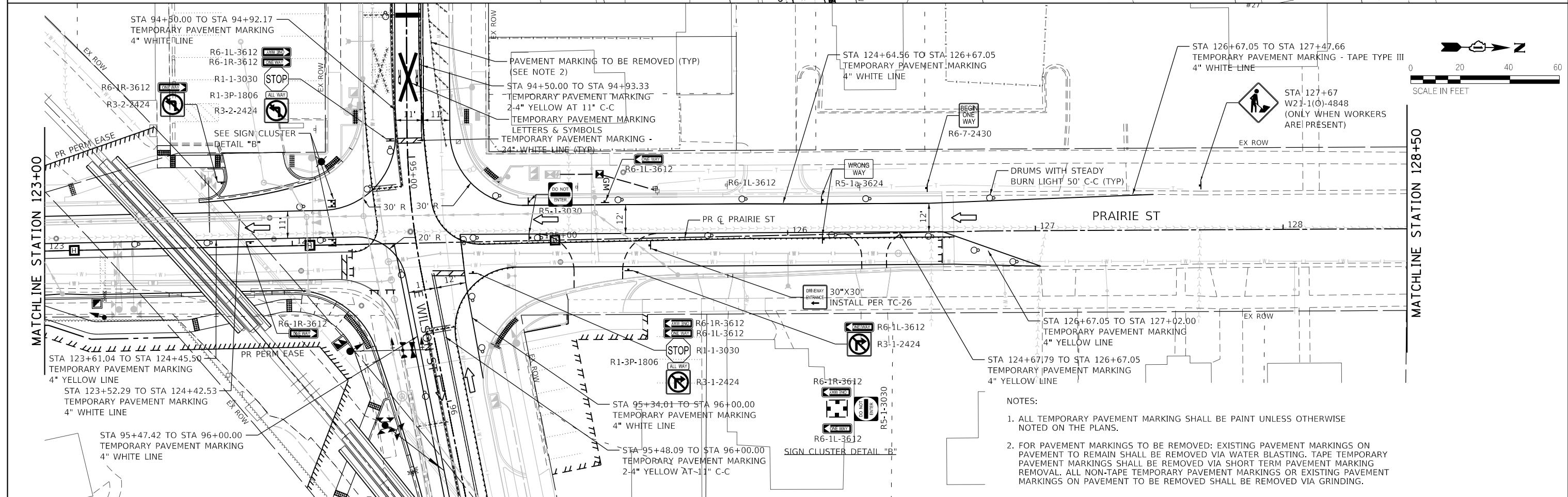
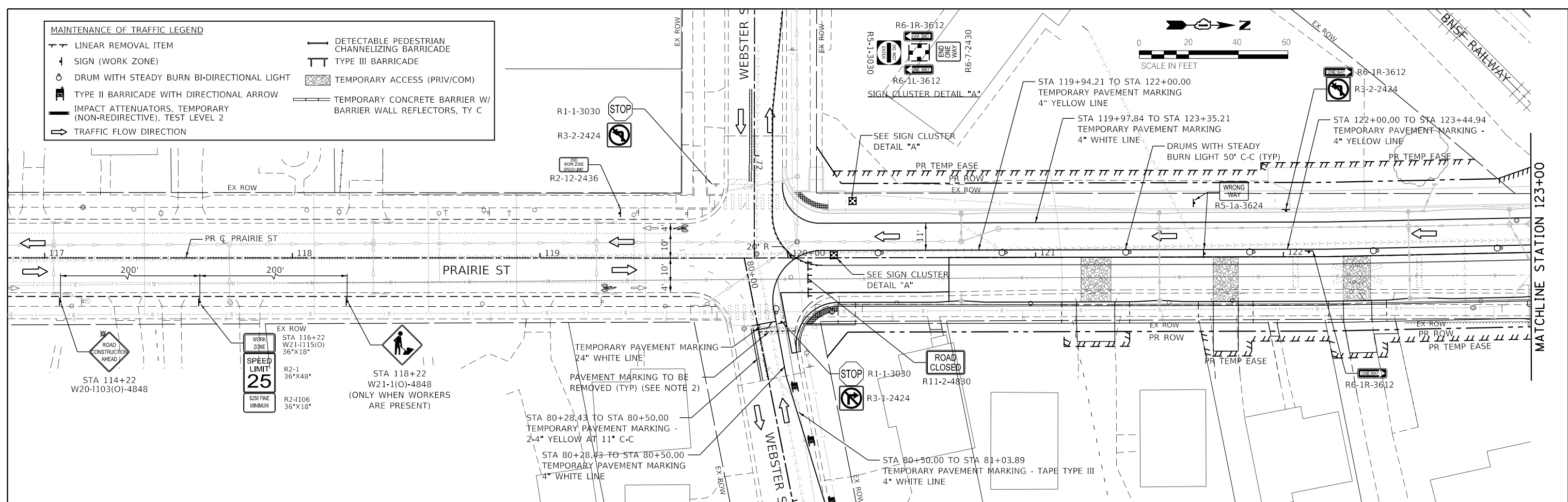


MAINTENANCE OF TRAFFIC LEGEND	
	LINEAR REMOVAL ITEM
	SIGN (WORK ZONE)
	DRUM WITH STEADY BURN BI-DIRECTIONAL LIGHT
	TYPE II BARRICADE WITH DIRECTIONAL ARROW
	IMPACT ATTENUATORS, TEMPORARY (NON-REDIRECTIVE), TEST LEVEL 2
	TRAFFIC FLOW DIRECTION
	DETECTABLE PEDESTRIAN CHANNELIZING BARRICADE
	TYPE III BARRICADE
	TEMPORARY ACCESS (PRIV/COM)
	TEMPORARY CONCRETE BARRIER W/ BARRIER WALL REFLECTORS, TY C

- NOTES:
1. ALL TEMPORARY PAVEMENT MARKING SHALL BE PAINT UNLESS OTHERWISE NOTED ON THE PLANS.
 2. FOR PAVEMENT MARKINGS TO BE REMOVED: EXISTING PAVEMENT MARKING ON PAVEMENT TO REMAIN SHALL BE REMOVED VIA WATER BLASTING. TA TEMPORARY PAVEMENT MARKINGS SHALL BE REMOVED VIA SHORT TERM PAVEMENT MARKING REMOVAL. ALL NON-TAPE TEMPORARY PAVEMENT MARKINGS OR EXISTING PAVEMENT MARKINGS ON PAVEMENT TO BE REMOVED SHALL BE REMOVED VIA GRINDING.

FILE NAME = sht-Staging-Stage1_Sea2-04.dgn	USER NAME = sbpottorff	DESIGNED - SBP	REVISED -	STATE OF ILLINOIS DEPARTMENT OF TRANSPORTATION	PRAIRIE STREET AT WILSON STREET INTERSECTION IMPROVEMENTS MAINTENANCE OF TRAFFIC - STAGE 1, YEAR 2	F.A.U. RTE. = 2511	SECTION = 16-00086-01-FP	COUNTY = KANE	TOTAL SHEETS = 169	SHEET NO. = 48
PLOT SCALE = 40.0000' / in.	CHECKED - JLV	REVISED -	SCALE: 1"=20'			SHEET 8 OF 12 SHEETS	STA. 98+00 TO STA. 108+50	CONTRACT NO. 61J35		ILLINOIS FED. AID PROJECT
PLOT DATE = 2/15/2023	DATE = 2/15/2023	REVISED -								

MAINTENANCE OF TRAFFIC LEGEND	
— T —	LINEAR REMOVAL ITEM
+	SIGN (WORK ZONE)
○	DRUM WITH STEADY BURN BI-DIRECTIONAL LIGHT
↔	TYPE II BARRICADE WITH DIRECTIONAL ARROW
—	IMPACT ATTENUATORS, TEMPORARY (NON-REDIRECTIVE), TEST LEVEL 2
→	TRAFFIC FLOW DIRECTION
—	DETECTABLE PEDESTRIAN CHANNELIZING BARRICADE
—	TYPE III BARRICADE
—	TEMPORARY ACCESS (PRIV/COM)
—	TEMPORARY CONCRETE BARRIER W/ BARRIER WALL REFLECTORS, TY C



- NOTES:
- ALL TEMPORARY PAVEMENT MARKING SHALL BE PAINT UNLESS OTHERWISE NOTED ON THE PLANS.
 - FOR PAVEMENT MARKINGS TO BE REMOVED: EXISTING PAVEMENT MARKINGS ON PAVEMENT TO REMAIN SHALL BE REMOVED VIA WATER BLASTING. TAPE TEMPORARY PAVEMENT MARKINGS SHALL BE REMOVED VIA SHORT TERM PAVEMENT MARKING REMOVAL. ALL NON-TAPE TEMPORARY PAVEMENT MARKINGS OR EXISTING PAVEMENT MARKINGS ON PAVEMENT TO BE REMOVED SHALL BE REMOVED VIA GRINDING.

TRANSYSTEMS
 1475 EAST WOODFIELD ROAD, SUITE 600
 SCHAMUNBURG, ILLINOIS 60173
 (847) 605-9600

FILE NAME = sht-Staging-Stage2_Sea2-01.dgn	USER NAME = sbpottorff	DESIGNED - SBP	REVISED -
Default		DRAWN - BM5	REVISED -
		CHECKED - JLV	REVISED -
		DATE - 2/15/2023	REVISED -

**STATE OF ILLINOIS
 DEPARTMENT OF TRANSPORTATION**

**PRAIRIE STREET AT WILSON STREET INTERSECTION IMPROVEMENTS
 MAINTENANCE OF TRAFFIC - STAGE 2, YEAR 2**

SCALE: 1"=20'

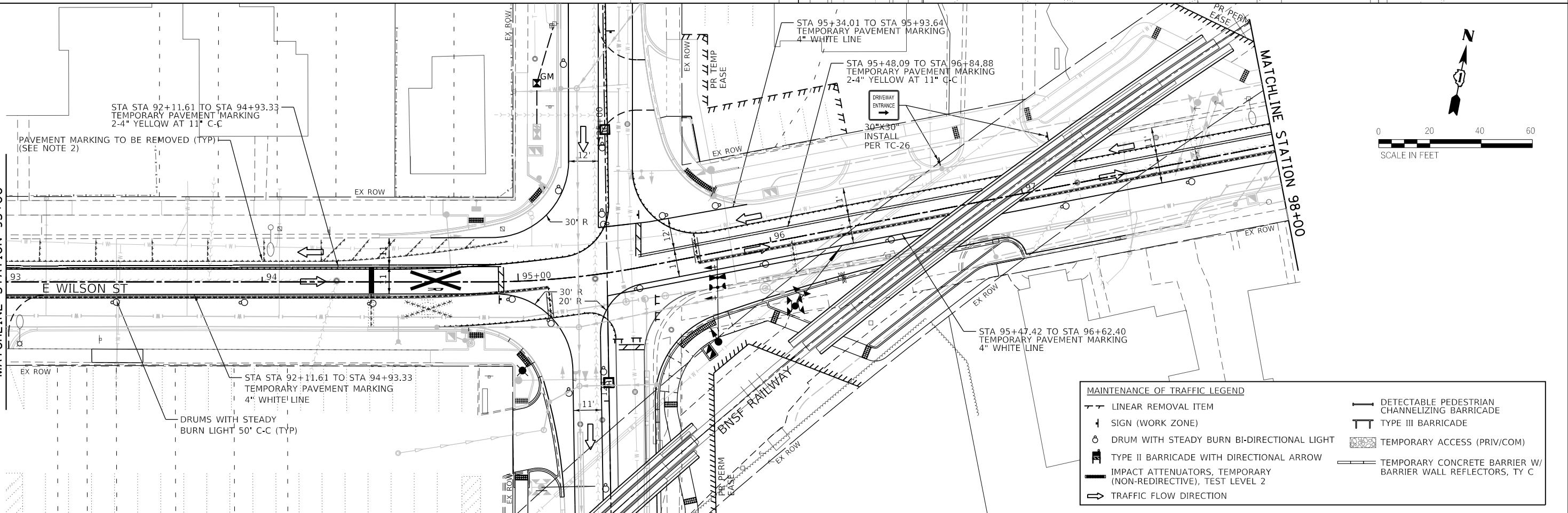
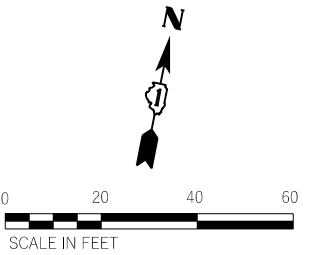
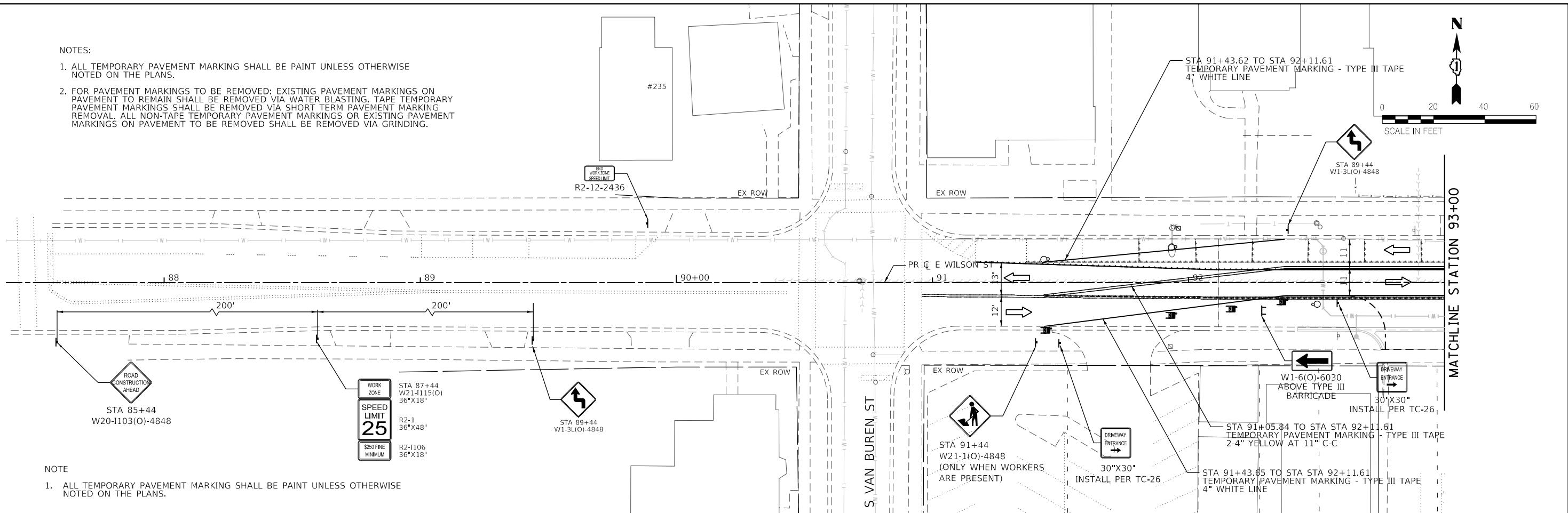
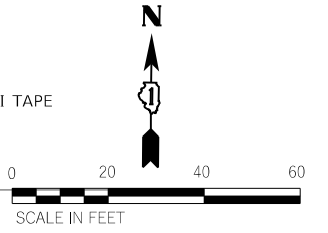
F.A.U. R.T.E. = 2511	SECTION = 16-00086-01-FP	COUNTY = KANE	TOTAL SHEETS = 169	SHEET NO. = 49
CONTRACT NO. 61J35				
ILLINOIS		FED. AID PROJECT		

NOTES:

1. ALL TEMPORARY PAVEMENT MARKING SHALL BE PAINT UNLESS OTHERWISE NOTED ON THE PLANS.
2. FOR PAVEMENT MARKINGS TO BE REMOVED: EXISTING PAVEMENT MARKINGS ON PAVEMENT TO REMAIN SHALL BE REMOVED VIA WATER BLASTING. TAPE TEMPORARY PAVEMENT MARKINGS SHALL BE REMOVED VIA SHORT TERM PAVEMENT MARKING REMOVAL. ALL NON-TAPE TEMPORARY PAVEMENT MARKINGS OR EXISTING PAVEMENT MARKINGS ON PAVEMENT TO BE REMOVED SHALL BE REMOVED VIA GRINDING.

NOTE

1. ALL TEMPORARY PAVEMENT MARKING SHALL BE PAINT UNLESS OTHERWISE NOTED ON THE PLANS.



MAINTENANCE OF TRAFFIC LEGEND	
	LINEAR REMOVAL ITEM
	SIGN (WORK ZONE)
	DRUM WITH STEADY BURN BI-DIRECTIONAL LIGHT
	TYPE II BARRICADE WITH DIRECTIONAL ARROW
	IMPACT ATTENUATORS, TEMPORARY (NON-REDIRECTIVE), TEST LEVEL 2
	TRAFFIC FLOW DIRECTION
	DETECTABLE PEDESTRIAN CHANNELIZING BARRICADE
	TYPE III BARRICADE
	TEMPORARY ACCESS (PRIV/COM)
	TEMPORARY CONCRETE BARRIER W/ BARRIER WALL REFLECTORS, TY C

TRANSYSTEMS
 1475 EAST WOODFIELD ROAD, SUITE 600
 SCHAMUNBURG, ILLINOIS 60173
 (847) 605-9600

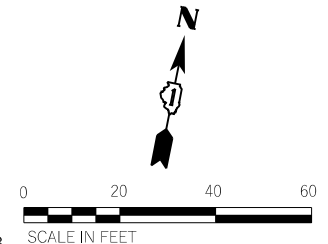
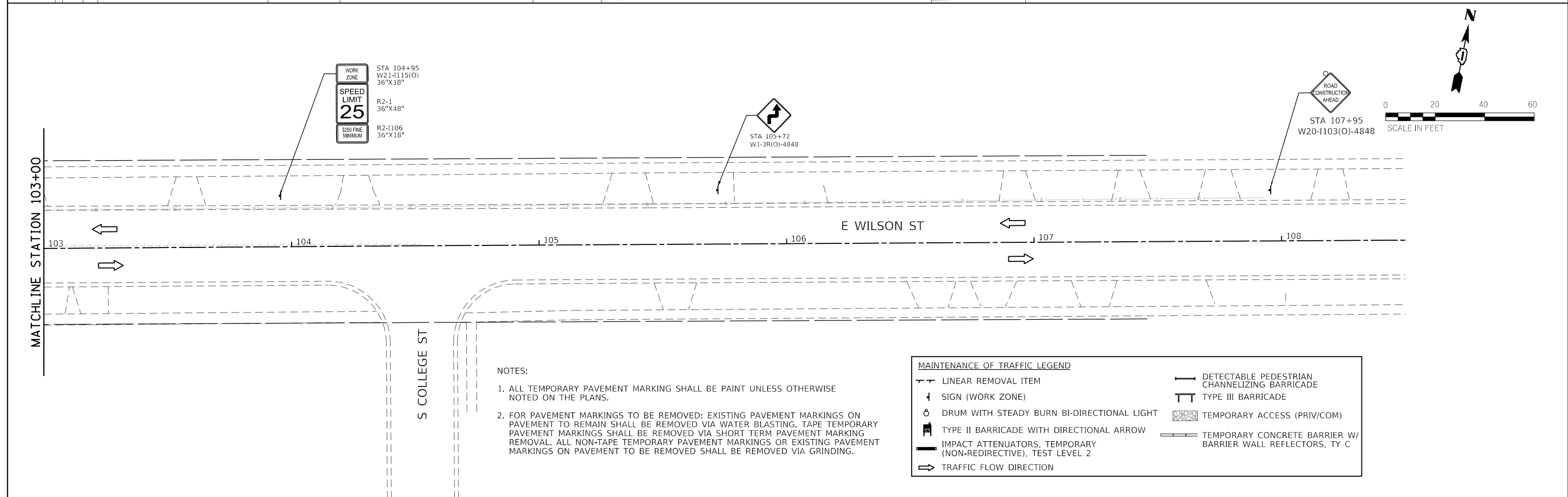
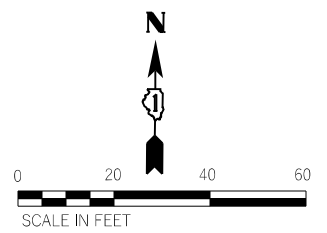
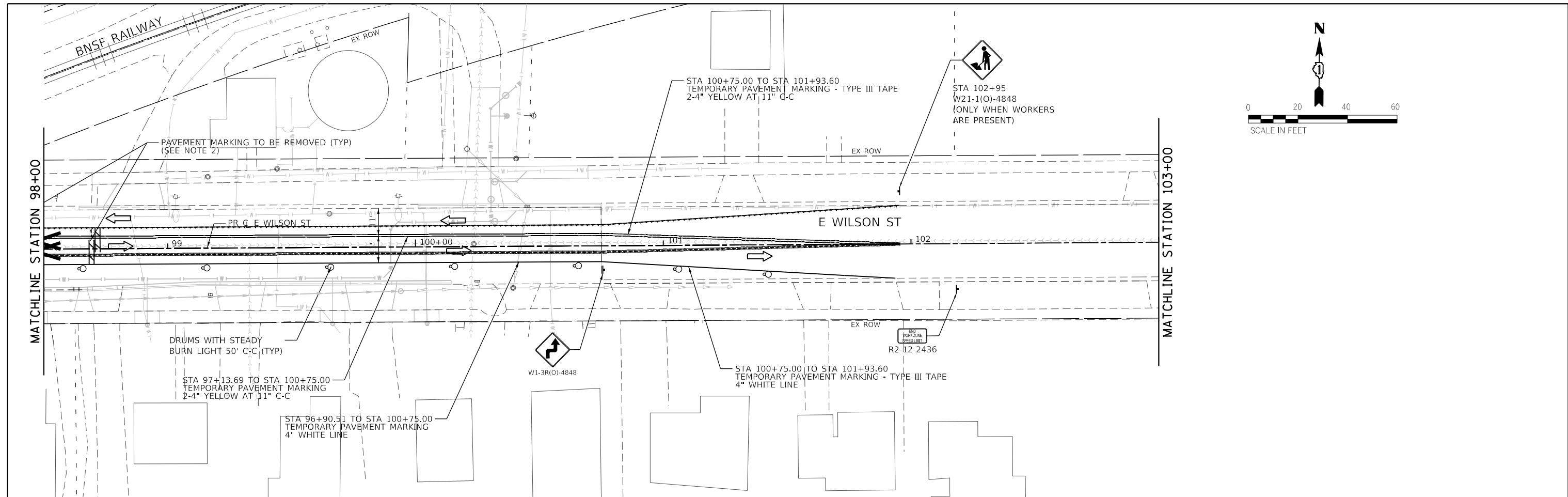
FILE NAME = sht-Staging-Stage2_Sea2-03.dgn	USER NAME = sbpottorff	DESIGNED - SBP	REVISED -
Default		DRAWN - BMS	REVISED -
	PLOT SCALE = 40.0000' / in.	CHECKED - JLV	REVISED -
	PLOT DATE = 2/15/2023	DATE - 2/15/2023	REVISED -

**STATE OF ILLINOIS
 DEPARTMENT OF TRANSPORTATION**

**PRAIRIE STREET AT WILSON STREET INTERSECTION IMPROVEMENTS
 MAINTENANCE OF TRAFFIC - STAGE 2, YEAR 2**

SCALE: 1"=20' SHEET 11 OF 12 SHEETS STA. 87+50 TO STA. 98+00

F.A.U. RTE. 2511	SECTION 16-00086-01-FP	COUNTY KANE	TOTAL SHEETS 169	SHEET NO. 51
CONTRACT NO. 61J35				
ILLINOIS		FED. AID PROJECT		



- NOTES:**
1. ALL TEMPORARY PAVEMENT MARKING SHALL BE PAINT UNLESS OTHERWISE NOTED ON THE PLANS.
 2. FOR PAVEMENT MARKINGS TO BE REMOVED: EXISTING PAVEMENT MARKINGS ON PAVEMENT TO REMAIN SHALL BE REMOVED VIA WATER BLASTING. TAPE TEMPORARY PAVEMENT MARKINGS SHALL BE REMOVED VIA SHORT TERM PAVEMENT MARKING REMOVAL. ALL NON-TAPE TEMPORARY PAVEMENT MARKINGS OR EXISTING PAVEMENT MARKINGS ON PAVEMENT TO BE REMOVED SHALL BE REMOVED VIA GRINDING.

MAINTENANCE OF TRAFFIC LEGEND	
	LINEAR REMOVAL ITEM
	SIGN (WORK ZONE)
	DRUM WITH STEADY BURN BI-DIRECTIONAL LIGHT
	TYPE II BARRICADE WITH DIRECTIONAL ARROW
	IMPACT ATTENUATORS, TEMPORARY (NON-REDIRECTIVE), TEST LEVEL 2
	TRAFFIC FLOW DIRECTION
	DETECTABLE PEDESTRIAN CHANNELIZING BARRICADE
	TYPE III BARRICADE
	TEMPORARY ACCESS (PRIV/COM)
	TEMPORARY CONCRETE BARRIER W/ BARRIER WALL REFLECTORS, TY C

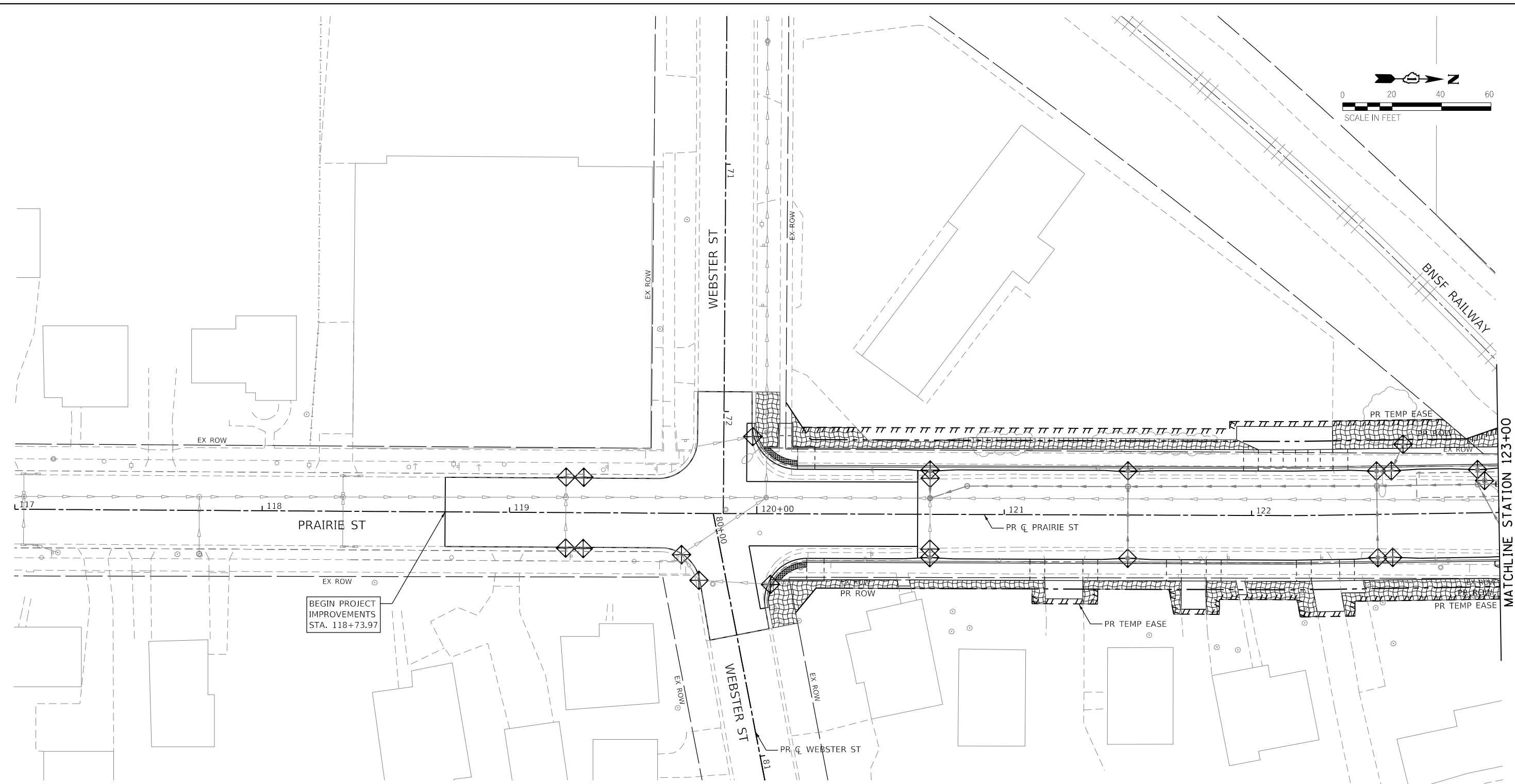
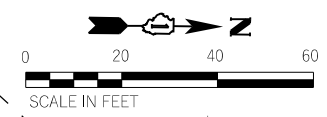
FILE NAME = sht-Staging-Stage2_Sea2-04.dgn	USER NAME = sbpottorff	DESIGNED - SBP	REVISED -
Default		DRAWN - BMS	REVISED -
	PLOT SCALE = 40.0000' / in.	CHECKED - JLV	REVISED -
	PLOT DATE = 2/15/2023	DATE - 2/15/2023	REVISED -

**STATE OF ILLINOIS
 DEPARTMENT OF TRANSPORTATION**

**PRAIRIE STREET AT WILSON STREET INTERSECTION IMPROVEMENTS
 MAINTENANCE OF TRAFFIC - STAGE 2, YEAR 2**

SCALE: 1"=20' SHEET 12 OF 12 SHEETS STA. 98+00 TO STA. 108+50

F.A.U. RTE. 2511	SECTION 16-00086-01-FP	COUNTY KANE	TOTAL SHEETS 169	SHEET NO. 52
CONTRACT NO. 61J35				
ILLINOIS FED. AID PROJECT				



BEGIN PROJECT IMPROVEMENTS STA. 118+73.97

EROSION CONTROL LEGEND

-  TEMPORARY EROSION CONTROL BLANKET (28001100)
-  TEMPORARY EROSION CONTROL SEEDING (28000250)
-  INLET FILTERS (28000510)

TRANSYSTEMS
 1475 EAST WOODFIELD ROAD, SUITE 600
 SCHAUMBURG, ILLINOIS 60173
 (847) 605-9600

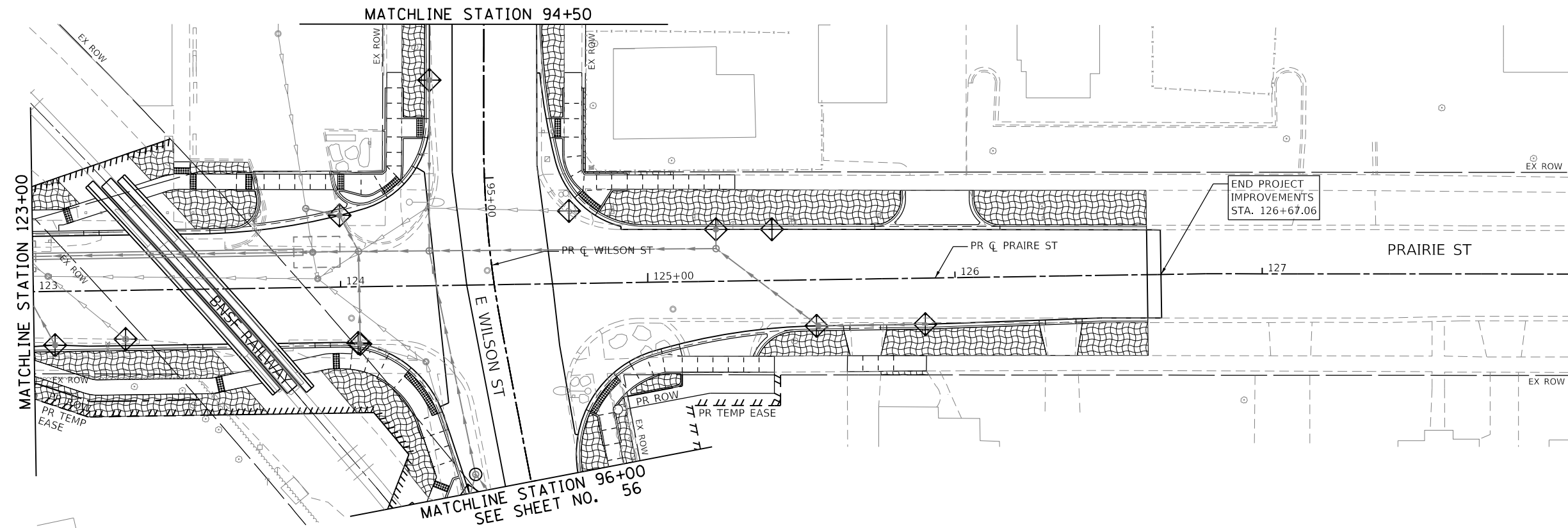
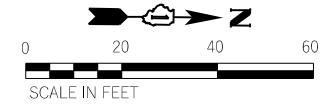
FILE NAME = sht-Eros-01.dgn	USER NAME = sbpottorff	DESIGNED - SBP	REVISED -
Default	PLOT SCALE = 40.0000' / in.	DRAWN - BMS	REVISED -
	PLOT DATE = 2/15/2023	CHECKED - JLV	REVISED -
		DATE - 2/15/2023	REVISED -

**STATE OF ILLINOIS
DEPARTMENT OF TRANSPORTATION**

PRAIRIE STREET AT WILSON STREET INTERSECTION IMPROVEMENTS EROSION CONTROL PLANS			
SCALE: 1" = 20'	SHEET 1 OF 7 SHEETS	STA. 117+00	TO STA. 123+00

F.A.U. RTE.	SECTION	COUNTY	TOTAL SHEETS	SHEET NO.
2511	16-00086-01-FP	KANE	169	53
CONTRACT NO. 61J35				
ILLINOIS FED. AID PROJECT				

MATCHLINE STATION 123+00



EROSION CONTROL LEGEND

- TEMPORARY EROSION CONTROL BLANKET (28001100)
- TEMPORARY EROSION CONTROL SEEDING (28000250)
- INLET FILTERS (28000510)

TRANSYSTEMS
 1475 EAST WOODFIELD ROAD, SUITE 600
 SCHAUMBURG, ILLINOIS 60173
 (847) 605-9600

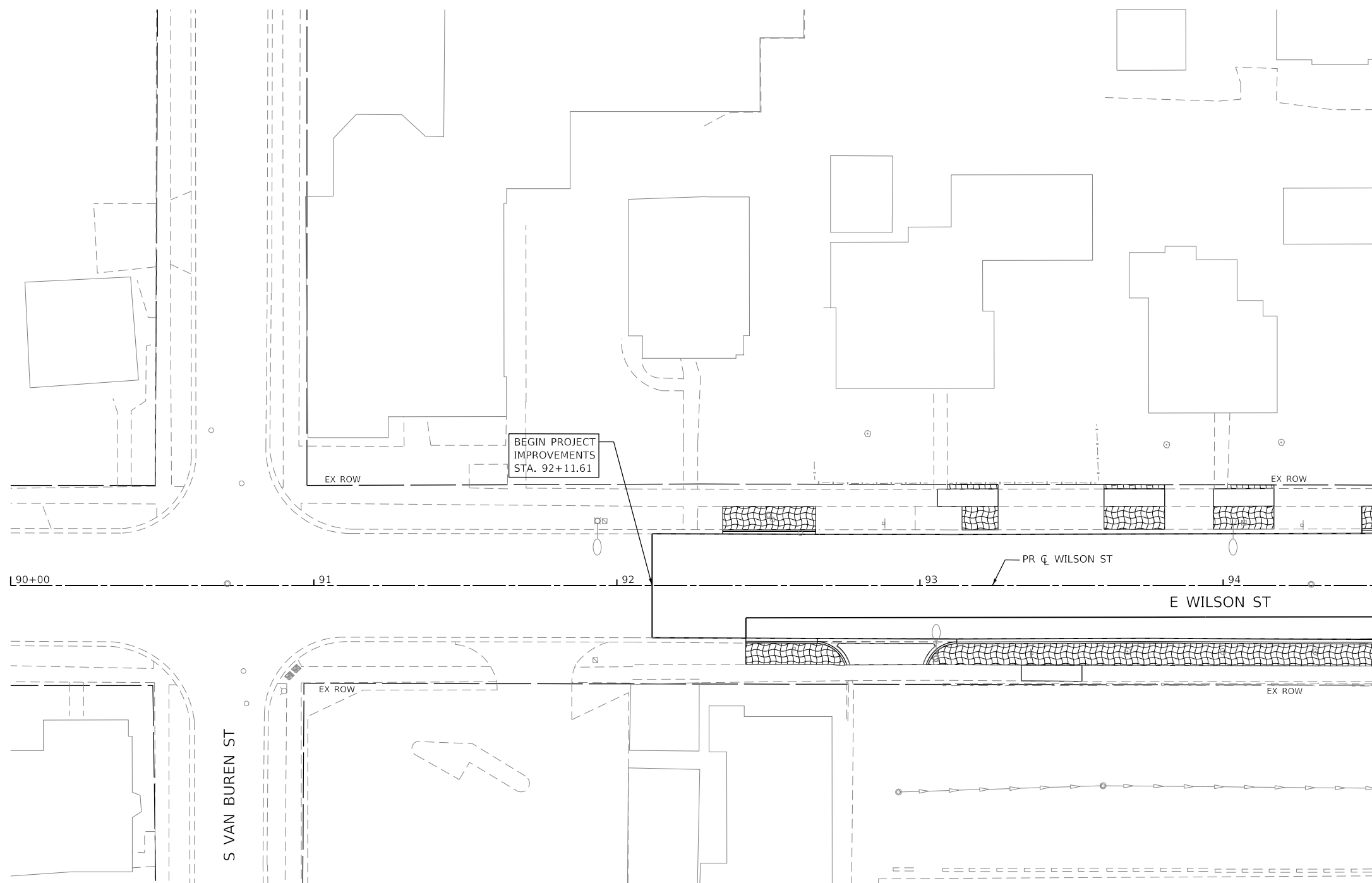
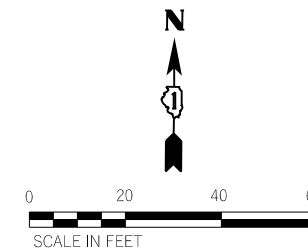
FILE NAME = sht-Eros-02.dgn	USER NAME = sbpottorff	DESIGNED - SBP	REVISED -
Default		DRAWN - BM5	REVISED -
	PLOT SCALE = 40.0000' / in.	CHECKED - JLV	REVISED -
	PLOT DATE = 2/15/2023	DATE - 2/15/2023	REVISED -

STATE OF ILLINOIS
DEPARTMENT OF TRANSPORTATION

PRAIRIE STREET AT WILSON STREET INTERSECTION IMPROVEMENTS
EROSION CONTROL PLANS

SCALE: 1" = 20' SHEET 2 OF 7 SHEETS STA. 123+00 TO STA. 128+00

F.A.U. RTE.	SECTION	COUNTY	TOTAL SHEETS	SHEET NO.
2511	16-00086-01-FP	KANE	169	54
CONTRACT NO. 61J35				
ILLINOIS FED. AID PROJECT				



EROSION CONTROL LEGEND

- TEMPORARY EROSION CONTROL BLANKET (28001100)
- TEMPORARY EROSION CONTROL SEEDING (28000250)
- INLET FILTERS (28000510)

TRANSYSTEMS
 1475 EAST WOODFIELD ROAD, SUITE 600
 SCHAUMBURG, ILLINOIS 60173
 (847) 605-9600

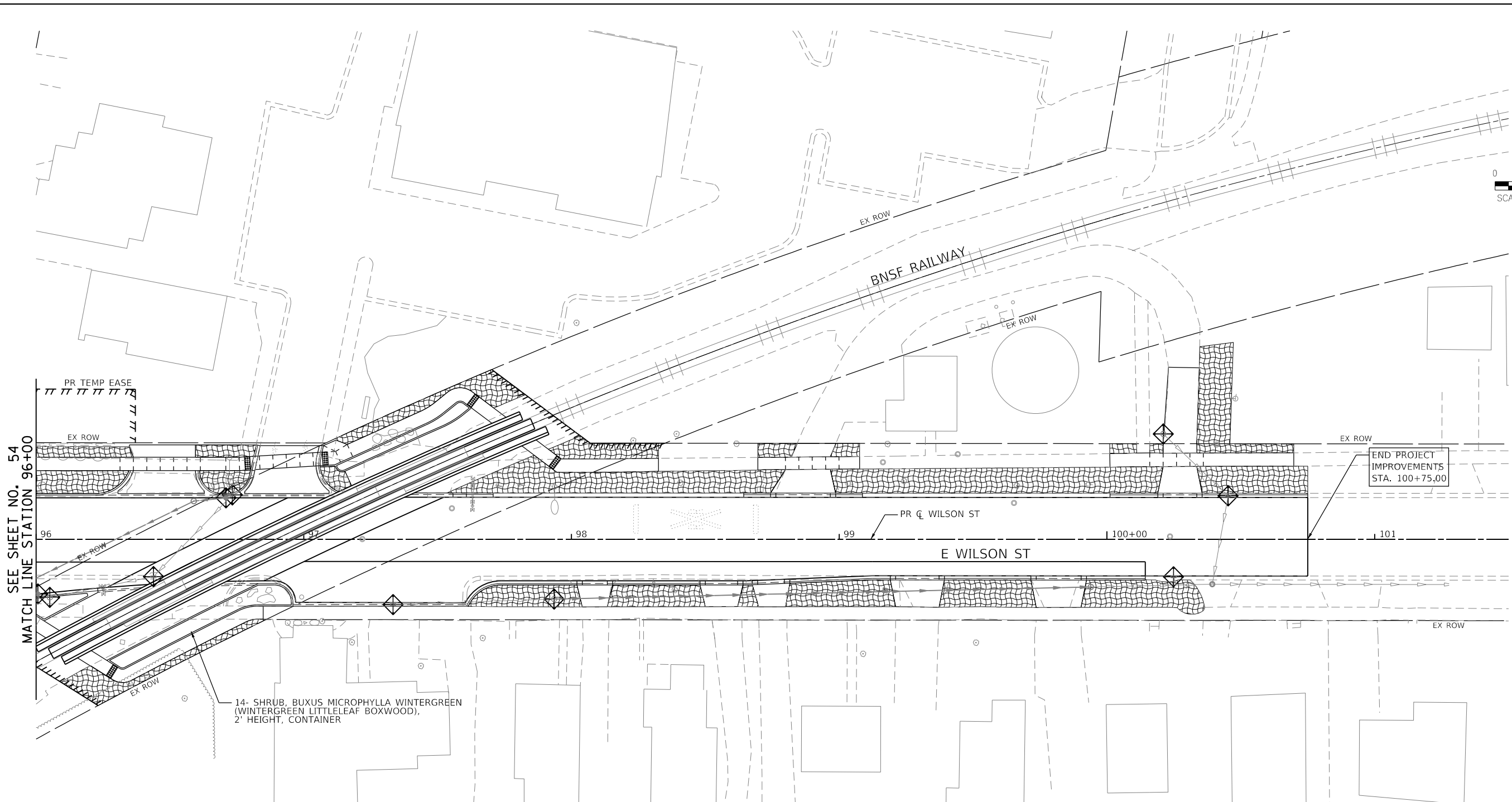
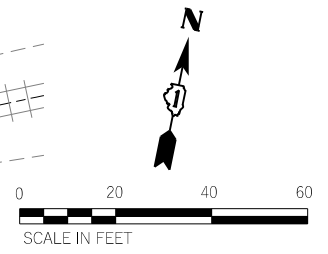
FILE NAME = sht-Eros-03.dgn	USER NAME = sbpottorff	DESIGNED - SBP	REVISED -
Default		DRAWN - BMS	REVISED -
	PLOT SCALE = 40.0000' / in.	CHECKED - JLV	REVISED -
	PLOT DATE = 2/15/2023	DATE - 2/15/2023	REVISED -

**STATE OF ILLINOIS
DEPARTMENT OF TRANSPORTATION**

**PRAIRIE STREET AT WILSON STREET INTERSECTION IMPROVEMENTS
EROSION CONTROL PLANS**

SCALE: 1" = 20' SHEET 3 OF 7 SHEETS STA. 90+00 TO STA. 94+50

F.A.U. RTE.	SECTION	COUNTY	TOTAL SHEETS	SHEET NO.
2511	16-00086-01-FP	KANE	169	55
CONTRACT NO. 61J35				
ILLINOIS FED. AID PROJECT				






SEE SHEET NO. 54
MATCH LINE STATION 96+00

END PROJECT
IMPROVEMENTS
STA. 100+75.00

14- SHRUB, BUXUS MICROPHYLLA WINTERGREEN
(WINTERGREEN LITTLELEAF BOXWOOD),
2' HEIGHT, CONTAINER

EROSION CONTROL LEGEND

-  TEMPORARY EROSION CONTROL BLANKET (28001100)
-  TEMPORARY EROSION CONTROL SEEDING (28000250)
-  INLET FILTERS (28000510)

TRANSYSTEMS
1475 EAST WOODFIELD ROAD, SUITE 600
SCHAUMBURG, ILLINOIS 60173
(847) 605-9600

FILE NAME = sht-Eros-04.dgn	USER NAME = sbpottorff	DESIGNED - SBP	REVISED -
Default	PLOT SCALE = 40.0000' / in.	DRAWN - BMS	REVISED -
	PLOT DATE = 2/15/2023	CHECKED - JLV	REVISED -
		DATE - 2/15/2023	REVISED -

**STATE OF ILLINOIS
DEPARTMENT OF TRANSPORTATION**

**PRAIRIE STREET AT WILSON STREET INTERSECTION IMPROVEMENTS
EROSION CONTROL PLANS**

SCALE: 1" = 20' SHEET 4 OF 7 SHEETS STA. 96+00 TO STA. 101+50

F.A.U. RTE.	SECTION	COUNTY	TOTAL SHEETS	SHEET NO.
2511	16-00086-01-FP	KANE	169	56
CONTRACT NO. 61J35				
ILLINOIS FED. AID PROJECT				

EROSION CONTROL INSPECTION

ALL EROSION CONTROL MEASURES MUST BE INSPECTED WEEKLY AND AFTER EACH ½" RAIN EVENT.

WINTER SHUT DOWN

A WINTER SHUT DOWN IS NOT ANTICIPATED FOR THIS PROJECT. BUT IN THE EVENT THAT UNAVOIDABLE CIRCUMSTANCES REQUIRE A WINTER SHUT DOWN, THE CONDITION OF THE CONSTRUCTION SITE FOR WINTER SHUTDOWN SHALL BE ADDRESSED EARLY IN THE FALL GROWING SEASON SO THAT SLOPES AND OTHER BARE EARTH AREAS MAY BE STABILIZED WITH TEMPORARY AND/OR PERMANENT VEGETATIVE COVER FOR PROPER EROSION AND SEDIMENT CONTROL. ALL OPEN AREAS THAT ARE TO REMAIN IDLE THROUGHOUT THE WINTER SHALL RECEIVE TEMPORARY EROSION CONTROL MEASURES INCLUDING TEMPORARY SEEDING, MULCHING AND/OR EROSION CONTROL BLANKET PRIOR TO THE END OF THE FALL GROWING SEASON. THE AREAS TO BE WORKED BEYOND THE END OF THE GROWING SEASON MUST INCORPORATE SOIL STABILIZATION MEASURES THAT DO NOT RELY ON VEGETATIVE COVER SUCH AS EROSION CONTROL BLANKET AND HEAVY MULCHING.

TEMPORARY DITCH CHECKS

TEMPORARY DITCH CHECKS WILL BE REQUIRED AT THOSE LOCATIONS WHERE THE CONTRACTORS OPERATIONS REQUIRE TEMPORARY OR PERMANENT DITCHES. THE LOCATION OF TEMPORARY DITCH CHECKS ARE SHOWN ON THE PLANS. THE EXACT LOCATION MAY REQUIRE FIELD ADJUSTMENT AND WILL BE COORDINATED IN THE FIELD WITH THE ENGINEER. THE QUANTITIES INCLUDE A PLAN ALLOWANCE OF TEMPORARY DITCH CHECKS FOR MAINTENANCE PURPOSES. TEMPORARY DITCH CHECKS SHALL BE CONSTRUCTED AS SPECIFIED IN SECTION 280 OF THE STANDARD SPECIFICATIONS FOR ROAD AND BRIDGE CONSTRUCTION, LATEST EDITION.

PERIMETER EROSION BARRIER

A NOMINAL QUANTITY OF 200 FT OF PERIMETER EROSION BARRIER IS INCLUDED TO BE USED AT THE DISCRETION OF THE ENGINEER. THE PERIMETER EROSION BARRIER SHALL BE CONSTRUCTED AS DETAILED ON THE PLANS AND AS SPECIFIED IN SECTION 280 OF THE STANDARD SPECIFICATIONS FOR ROAD AND BRIDGE CONSTRUCTION, LATEST EDITION.

STOCKPILE LOCATIONS AND PROTECTING STOCK PILE AREAS

STOCKPILES SHOULD NOT BE PLACED IN OR NEAR CRITICAL AREAS, OR AREAS THAT HAVE HIGH POTENTIAL FOR CONTRIBUTING SEDIMENTS TO STORMWATER FACILITIES.

CONTRACTOR MAY OPT TO STOCKPILE MATERIAL. STAGING OF THE PROJECT IS AT THE DISCRETION OF THE CONTRACTOR AND COORDINATION OF STOCK PILES WILL BE WITH KANE COUNTY DIVISION OF TRANSPORTATION (KDOT) AND KANE-DUPAGE SOIL AND WATER CONSERVATION DISTRICT (KDSWCD). STOCKPILES OF SOIL AND OTHER CONSTRUCTION MATERIALS TO REMAIN IN PLACE MORE THAN THREE (3) DAYS SHALL BE FURNISHED WITH EROSION AND SEDIMENT CONTROL MEASURES (I.E. PERIMETER SILT FENCE). STOCKPILES, NOT BEING ACTIVELY WORKED AND TO REMAIN IN PLACE FOR 14 DAYS OR MORE SHALL RECEIVE TEMPORARY SEEDING.

STABILIZED CONSTRUCTION AREA

TEMPORARY STABILIZATION OF THE CONSTRUCTION AREA SHOULD TAKE PLACE AT THE END OF EACH WORK DAY.

PERMANENT STABILIZATION OF THE CONSTRUCTION AREA SHALL BE COMPLETED WITHIN 7 DAYS OF FINAL GRADING.

WORK IN FLOWING WATER

NO WORK SHALL BE PERFORMED IN FLOWING WATER. WORK IN AND NEAR THE CRITICAL AREAS SHOULD BE ISOLATED FROM CONCENTRATED FLOWS OR STREAM FLOW. ONCE WORK IN THIS AREA BEGINS, PRIORITY SHALL BE GIVEN TO THE COMPLETION OF THE WORK AND FINAL STABILIZATION OF ALL DISTURBED AREAS. SEE ADDITIONAL IN-STREAM NOTES.

DEWATERING

WHEN DEWATERING THE CONSTRUCTION AREA IS NECESSARY, ALL WATERS SHALL BE FILTERED BY USING FILTER BAGS OR AN ALTERNATIVE MEASURE APPROVED BY THE KANE-DUPAGE SOIL & WATER CONSERVATION DISTRICT. ALL FILTER BAGS MUST HAVE SECONDARY CONTAINMENT DEVICES, AND SHOULD BE PLACED ON LEVEL GROUND. WATER MUST HAVE SEDIMENT REMOVED BEFORE BEING ALLOWED TO RETURN TO THE ORIGINAL CREEK. THE DISCHARGE SHALL BE DESIGNED SO THAT RETURNING WATERS DO NOT CAUSE EROSION. THE CONTRACTOR WILL COORDINATE THE METHOD, DESIGN AND LOCATION OF THE DEWATERING PLAN AND FILTER BAG(S) WITH KANE-DUPAGE SOIL & WATER CONSERVATION DISTRICT AT THE PRE-CONSTRUCTION MEETING.

DEWATERING AND FILTERING BAG SYSTEMS REQUIRED FOR ALL CONSTRUCTION OPERATIONS WILL NOT BE MEASURED SEPARATELY FOR PAYMENT BUT SHALL BE INCLUDED IN THE COST OF THE RELATED WORK ITEM REQUIRING DEWATERING. DEWATERING WILL INCLUDE MEANS, METHODS AND ALL MATERIALS TO DEWATER AND TO PROVIDE FILTRATION OF WATERS BEFORE RE-ENTERING THE CREEK.

KEEPING PAVEMENTS CLEAN

THE CONTRACTOR WILL KEEP ALL PERMANENT PAVEMENT SURFACES CLEAN OF DIRT OR CONSTRUCTION DEBRIS. THE PAVEMENT SHALL BE CLEANED AT THE END OF EACH DAYS OPERATION OR MORE FREQUENTLY AS REQUIRED BY THE ENGINEER IF THE DEBRIS IS DEEMED TO BE A HAZARD TO THE MOTORING PUBLIC.

TREE ROOT PRUNING

A NOMINAL QUANTITY OF 5 EACH OF TREE ROOT PRUNING IS INCLUDED TO BE USED AT THE DISCRETION OF THE ENGINEER.

STABILIZATION TYPE	JAN.	FEB.	MAR.	APR.	MAY	JUNE	JULY	AUG.	SEPT.	OCT.	NOV.	DEC.
PERMANENT SODDING				A			•	•	A			
DORMANT SEEDING	B										B	
TEMPORARY SEEDING				C								
EROSION CONTROL				D								

- A. SOD, SALT TOLERANT
- B. INCREASE SEEDING RATES BY 25% WHEN DORMANT SEEDING (NOT ANTICIPATED)
- C. TEMPORARY SEEDING (PERENNIAL RYE GRASS, SPRING OATS)
- D. TEMPORARY EROSION CONTROL BLANKET

* IRRIGATION MAY BE NEEDED DURING JUNE AND JULY (INCLUDED IN SEEDING)

NOTE: SODDING TO BE COMPLETED PER REQUIREMENTS OF SECTION 250 OF THE IDOT STANDARD SPECIFICATIONS FOR ROAD AND BRIDGES AND THE SPECIAL PROVISIONS.

STABILIZED CONSTRUCTION ENTRANCE

A STABILIZED CONSTRUCTION ENTRANCE IS NOT ANTICIPATED FOR THIS PROJECT. HOWEVER, IF IT IS DETERMINED BY THE ENGINEER OR THE KANE-DUPAGE SOIL AND WATER CONSERVATION DISTRICT THAT THE CONTRACTOR OPERATIONS REQUIRE A STABILIZED ENTRANCE, QUANTITY HAS BEEN INCLUDED IN THE PROJECT TO COMPLETE THIS WORK. THERE WILL BE NO ADJUSTMENT TO THE CONTRACT IF THE ENTRANCE IS NOT CONSTRUCTED. IF REQUIRED, THE CONTRACTOR WILL SUBMIT THE LOCATION AND DETAILS TO KDSWCD FOR APPROVAL.

CONCRETE WASHOUT

A CONCRETE WASHOUT IS NEEDED FOR THIS PROJECT. IT SHOULD BE DRAWN ON THESE PLANS BY THE CONTRACTOR AT THE TIME OF INSTALLATION. WASHOUTS ARE TO BE CONSTRUCTED AND MAINTAINED IN A MANNER CONSISTENT WITH THE DETAILS ON THE PLANS AND THE LATEST EDITION OF THE ILLINOIS URBAN MANUAL.

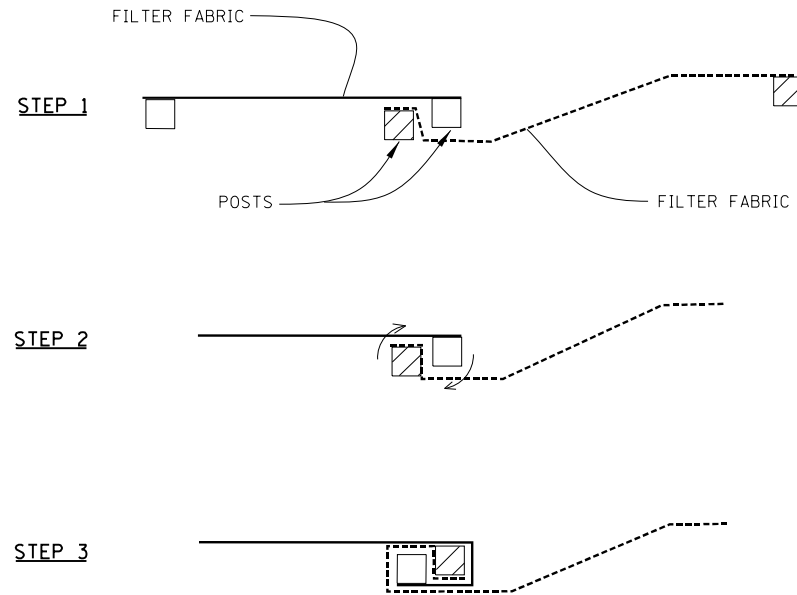
GENERAL NOTES

- A) UNLESS OTHERWISE INDICATED, ALL VEGETATIVE AND STRUCTURAL EROSION AND SEDIMENT CONTROL PRACTICES WILL BE CONSTRUCTED ACCORDING TO MINIMUM STANDARDS AND SPECIFICATIONS IN THE ILLINOIS URBAN MANUAL, LATEST EDITION.
- B) THE KANE-DUPAGE SOIL AND WATER CONSERVATION DISTRICT (KDSWCD) MUST BE NOTIFIED ONE WEEK PRIOR TO THE PRE-CONSTRUCTION CONFERENCE, ONE WEEK PRIOR TO THE COMMENCEMENT OF LAND DISTURBING ACTIVITIES, AND ONE WEEK PRIOR TO THE FINAL INSPECTION.
- C) A COPY OF THE APPROVED EROSION AND SEDIMENT CONTROL PLAN SHALL BE MAINTAINED ON THE SITE AT ALL TIMES.
- D) PRIOR TO COMMENCING LAND-DISTURBING ACTIVITIES IN AREAS OTHER THAN INDICATED ON THESE PLANS (INCLUDING BUT NOT LIMITED TO, ADDITIONAL PHASES OF DEVELOPMENT AND OFF-SITE BORROW OR WASTE AREAS) A SUPPLEMENTARY EROSION CONTROL PLAN SHALL BE SUBMITTED TO THE OWNER FOR REVIEW BY THE KDSWCD.
- E) THE CONTRACTOR IS RESPONSIBLE FOR INSTALLATION OF ANY ADDITIONAL EROSION CONTROL MEASURES NECESSARY TO PREVENT EROSION AND SEDIMENTATION AS DETERMINED BY THE KDSWCD.
- F) IT IS THE RESPONSIBILITY OF THE OWNER AND/OR GENERAL CONTRACTOR TO INFORM ANY SUB-CONTRACTOR(S) WHO MAY PERFORM WORK ON THIS PROJECT, OF THE REQUIREMENTS IN IMPLEMENTING AND MAINTAINING THESE EROSION CONTROL PLANS AND THE NATIONAL POLLUTANT DISCHARGE ELIMINATION SYSTEM (NPDES) PERMIT REQUIREMENTS SET FORTH BY THE ILLINOIS EPA.
- G) THE CONTRACTOR IS RESPONSIBLE FOR INDICATING THE CURRENT LOCATION OF THE CONCRETE WASHOUT AND ANY MODIFICATIONS TO THE LOCATIONS OR DETAILS OF EROSION AND SEDIMENT CONTROLS ON THESE PLANS.
- H) ALL DROP INLETS ON AND ADJACENT TO THE SITE MUST HAVE SEDIMENT TRAPPING OR CONTAINMENT DEVICE INSTALLED DURING CONSTRUCTION ACTIVITIES. FILTER FABRIC ON ITS OWN IS NOT AN APPROVED METHOD. PREFABRICATED DROP INLET PROTECTION SHOULD BE AS RESTRICTIVE AS THE ILLINOIS URBAN MANUAL STANDARD 861 FOR INLET PROTECTION.

PRE-CONSTRUCTION MEETING

- A) KANE-DUPAGE SOIL AND WATER CONSERVATION DISTRICT SHALL BE PROVIDED AN INVITATION TO THE PRE-CONSTRUCTION MEETING PRIOR TO EARTH DISTURBANCE.

FILE NAME = sht-Eros_notes-05.dgn Default	USER NAME = sbpottorff	DESIGNED - SBP	REVISED -	STATE OF ILLINOIS DEPARTMENT OF TRANSPORTATION	PRAIRIE STREET AT WILSON STREET INTERSECTION IMPROVEMENTS EROSION AND SEDIMENT CONTROL NOTES	F.A.U. RTE.	SECTION	COUNTY	TOTAL SHEETS	SHEET NO.
		DRAWN - BMS	REVISED -			2511	16-00086-01-FP	KANE	169	57
	PLOT SCALE = 20.0000' / in.	CHECKED - JLW	REVISED -			CONTRACT NO. 61J35				
	PLOT DATE = 2/15/2023	DATE - 2/15/2023	REVISED -			ILLINOIS FED. AID PROJECT				
					SCALE: NONE	SHEET 5 OF 7 SHEETS	STA. TO STA.			



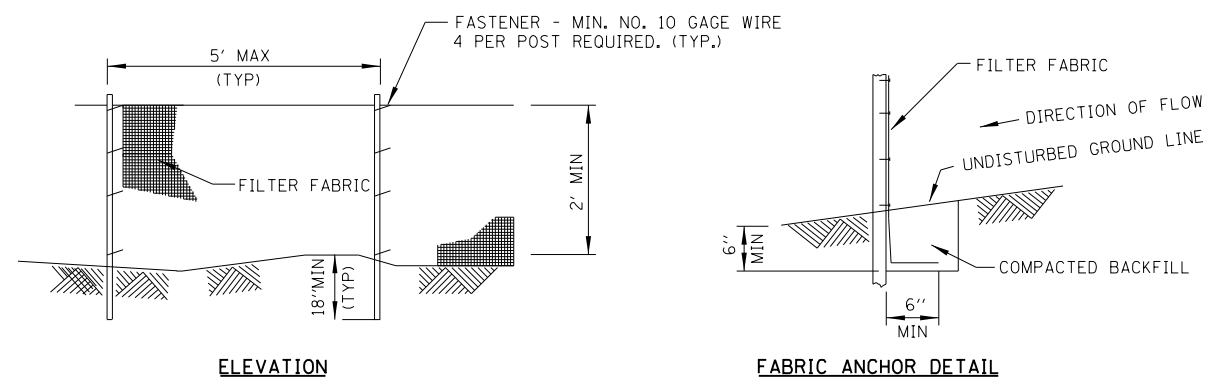
ATTACHING TWO SILT FENCES

PERIMETER EROSION BARRIER NOTES:

1. PLACE THE END POST OF THE SECOND FENCE INSIDE THE END POST OF THE FIRST FENCE.
2. ROTATE BOTH POSTS AT LEAST 180 DEGREES IN A CLOCKWISE DIRECTION TO CREATE A TIGHT SEAL WITH THE FABRIC MATERIAL.
3. CUT THE FABRIC NEAR THE BOTTOM OF THE STAKES TO ACCOMMODATE THE 6" FLAP.
4. DRIVE BOTH POSTS A MINIMUM OF 18 INCHES INTO THE GROUND AND BURY THE FLAP.
5. COMPACT BACKFILL (PARTICULARLY AT SPLICES) COMPLETELY TO PREVENT STORMWATER PIPING.

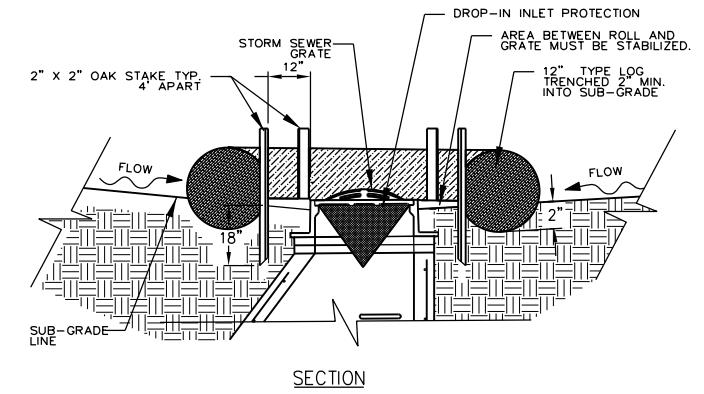
**PERIMETER EROSION BARRIER
(SILT FENCE) – SPLICING TWO FENCES**

STD. IUM-620B
(SILT FENCE - SPLICING TWO FENCES)



**PERIMETER EROSION BARRIER
(SILT FENCE)**

STD. IUM-620A
(SILT FENCE PLAN)

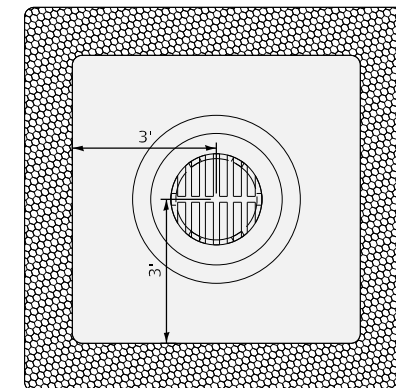


STORM DRAIN INLET PROTECTION

STD. IUM-562
(INLET PROTECTION - LOG TYPE)

NOTES:

1. 2" X 2" NOMINAL HARDWOOD STAKES, 4 FOOT MINIMUM LENGTH, DRIVEN INTO GROUND APPROXIMATELY 18 INCHES, TAKES DRIVEN A MINIMUM WIDTH OF 12 INCHES AWAY FROM THE DROP INLET.
2. AREA INSIDE THE LOG, FROM EDGE OF FABRIC TO STRUCTURE, MUST BE STABILIZED WITH EROSION CONTROL BLANKET.
3. THE MAXIMUM DISTANCE BETWEEN THE STAKES SHOULD BE 4 FEET.
4. A MAINTENANCE SCHEDULE MUST MAINTAIN A SEDIMENT ACCUMULATION OF LESS THAN 50% OF THE HEIGHT OF THE LOG.



NOTE:
STRAW BALES AND SILT FILTER FENCE SHALL NOT BE USED.

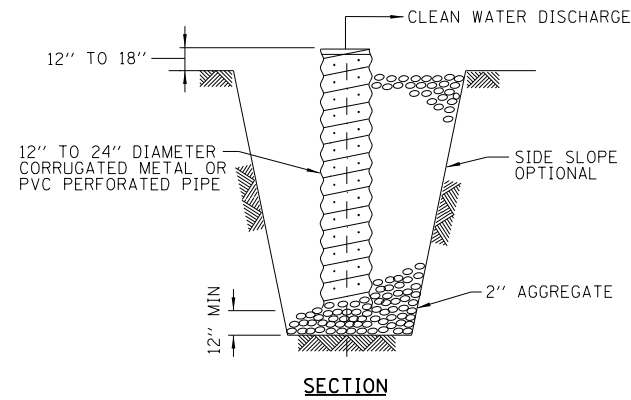
THIS WORK WILL BE PAID FOR AT THE CONTRACT UNIT PRICE PER FOOT FOR TEMPORARY DITCH CHECKS.

PERIMETER EROSION BARRIER NOTES:

1. TEMPORARY SEDIMENT FENCE SHALL BE INSTALLED PRIOR TO ANY GRADING WORK IN THE AREA TO BE PROTECTED. THEY SHALL BE MAINTAINED THROUGHOUT THE CONSTRUCTION PERIOD AND REMOVED IN CONJUNCTION WITH THE FINAL GRADING AND SITE STABILIZATION.
2. FILTER FABRIC SHALL MEET THE REQUIREMENTS OF MATERIAL SPECIFICATION 592 GEOTEXTILE TABLE 1 OR 2, CLASS WITH EQUIVALENT OPENING SIZE OF AT LEAST 30 FOR NONWOVEN AND 40 FOR WOVEN.
3. FENCE POSTS SHALL BE EITHER STANDARD STEEL POST OR WOOD POST WITH A MINIMUM CROSS-SECTIONAL AREA OF 3.0 SQ. IN.

FILE NAME = sht-Eros_details-06.dgn	USER NAME = sbpottorff	DESIGNED - SBP	REVISED -
Default	PLOT SCALE = 20.0000 ' / in.	DRAWN - BMS	REVISED -
	PLOT DATE = 2/15/2023	CHECKED - JLJ	REVISED -
		DATE - 2/15/2023	REVISED -

F.A.U. RTE.	SECTION	COUNTY	TOTAL SHEETS	SHEET NO.
2511	16-00086-01-FP	KANE	169	58
CONTRACT NO. 61J35				
ILLINOIS FED. AID PROJECT				



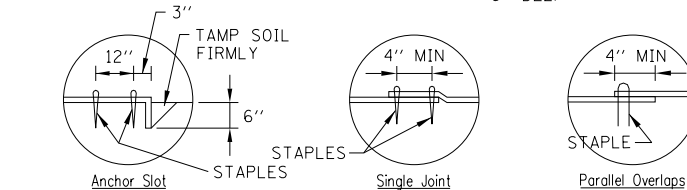
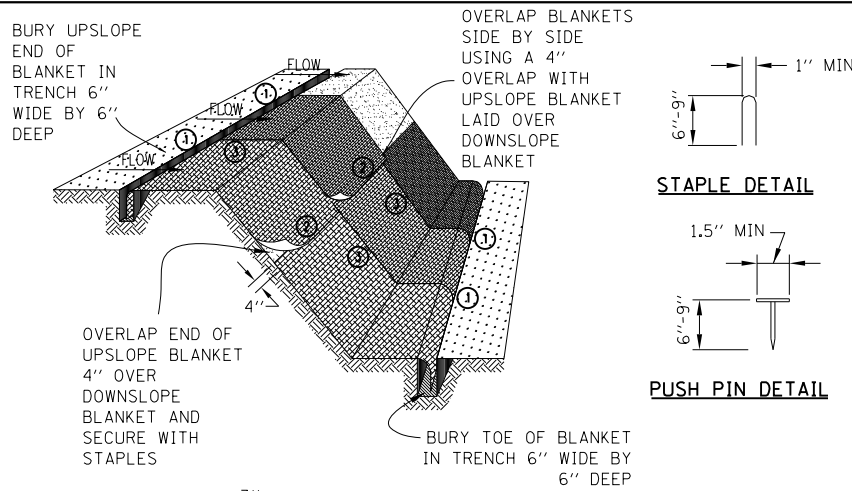
SUMP PIT NOTES:

1. PIT DIMENSIONS ARE OPTIONAL.
2. THE STANDPIPE WILL BE CONSTRUCTED BY PERFORATING A 12"-24" DIAMETER CORRUGATED METAL OR PVC PIPE.
3. A BASE OF 2" AGGREGATE WILL BE PLACED IN THE PIT TO A MINIMUM DEPTH OF 12". AFTER INSTALLING THE STANDPIPE, THE PIT SURROUNDING THE STANDPIPE WILL THEN BE BACKFILLED WITH 2" AGGREGATE.
4. THE STANDPIPE WILL EXTEND 12" TO 18" ABOVE THE LIP OF THE PIT.
5. IF DISCHARGE WILL BE PUMPED DIRECTLY TO A STORM DRAINAGE SYSTEM, THE STANDPIPE WILL BE WRAPPED WITH FILTER FABRIC BEFORE INSTALLATION.
6. IF DESIRED, 1/4"-1/2" HARDWARE CLOTH MAY BE PLACED AROUND THE STANDPIPE PRIOR TO ATTACHING THE FILTER FABRIC. THIS WILL INCREASE THE RATE OF WATER SEEPAGE INTO THE PIPE.

SUMP PIT PLAN

STD. IL-650
(SUMP PIT PLAN)

THE SUMP PIT WILL NOT BE MEASURED SEPARATELY FOR PAYMENT BUT SHALL BE CONSIDERED PART OF THE DEWATERING OPERATIONS.



DETAIL 1

DETAIL 2

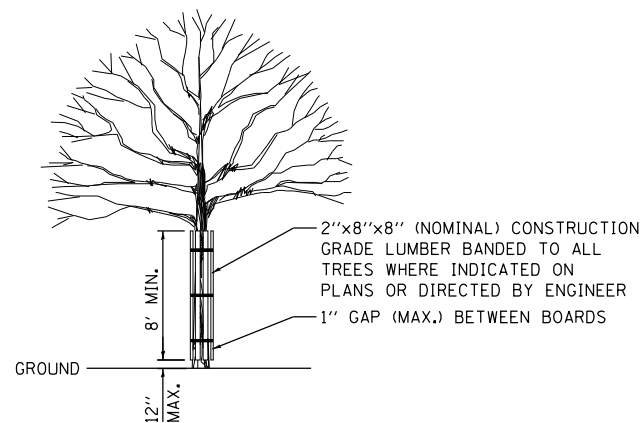
DETAIL 3

BLANKET NOTES:

1. STAPLES SHALL BE PLACED IN A DIAMOND PATTERN AT 2 PER S.Y. FOR STITCHED BLANKETS. NON-STICHED SHALL USE 4 STAPLES PER S.Y. OF MATERIAL. THIS EQUATES TO 200 STAPLES WITH STITCHED BLANKET AND 400 STAPLES WITH NON-STICHED BLANKET PER 100 S.Y. OF MATERIAL
2. STAPLE OR PUSH PIN LENGTHS SHALL BE SELECTED BASED ON SOIL TYPE AND CONDITIONS. (MINIMUM STAPLE LENGTH IS 6")
3. EROSION CONTROL MATERIAL SHALL BE PLACED IN CONTACT WITH THE SOIL OVER A PREPARED SEEDBED.
4. ALL ANCHOR SLOTS SHALL BE STAPLED AT APPROXIMATELY 12" INTERVALS.

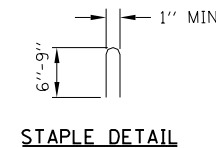
**EROSION CONTROL
BLANKET INSTALLATION DETAILS**

STD. IL-530A, IL-530B, IUM-531
(EROSION CONTROL BLANKET)

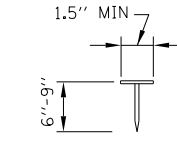


TREE TRUNK PROTECTION

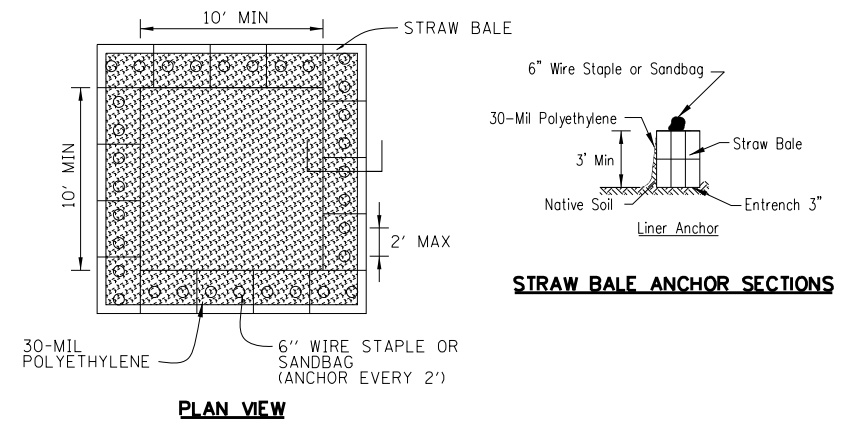
TREE TRUNK PROTECTION HAS BEEN PROVIDED FOR IN THE PLANS FOR TREES DEEMED NEEDING PROTECTION. THE LOCATIONS ARE SHOWN ON THE EROSION AND REMOVAL PLANS. AN ADDITIONAL NOMINAL QUANTITY HAS BEEN INCLUDED IN THE PLANS TO BE USED AT THE ENGINEER'S DISCRETION.



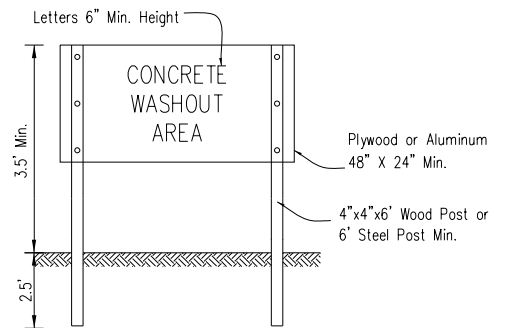
STAPLE DETAIL



PUSH PIN DETAIL



PLAN VIEW



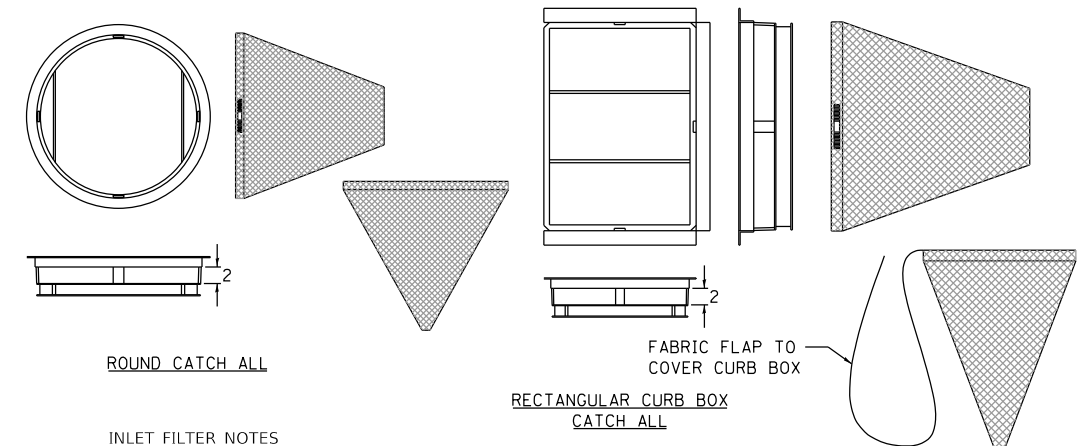
SIGN DETAIL

WASHOUT NOTES:

1. MAINTAINING TEMPORARY CONCRETE WASHOUT FACILITIES SHALL INCLUDE REMOVING AND DISPOSING OF HARDENED CONCRETE AND/OR SLURRY AND RETURNING THE FACILITIES TO A FUNCTIONAL CONDITION.
2. FACILITY SHALL BE CLEANED OR RECONSTRUCTED IN A NEW AREA ONCE WASHOUT BECOMES TWO-THIRDS FULL.
3. EACH STRAW BALE IS TO BE STAKED IN PLACE USING (2) 2"x2"x4' WOODEN STAKES.

**TEMPORARY CONCRETE
WASHOUT FACILITY – STRAW BALE**

STD. IUM-6545B
(TEMPORARY CONCRETE WASHOUT)



ROUND CATCH ALL

INLET FILTER NOTES

FRAME: TOP FLANGE FABRICATED FROM 1 1/4"x1 1/2"x1/2" ANGLE. BASE RIM FABRICATED FROM 1 1/2"x1/2"x1/2" CHANNEL. HANDELS AND SUSPENSION BRACKETS FABRICATED FROM 1 1/4"x1/4" FLAT STOCK. ALL STEEL CONFORMING TO ASTM-A36.

SEDIMENT BAG: BAG FABRICATED FROM 4 OZ./SQ.YD. NON-WOVEN POLYPROPYLENE GEOTEXTILE REINFORCED WITH POLYESTER MESH. BAG SECURED TO BASE RIM WITH A STAINLESS STEEL BAND AND LOCK.

INLET FILTER DETAIL

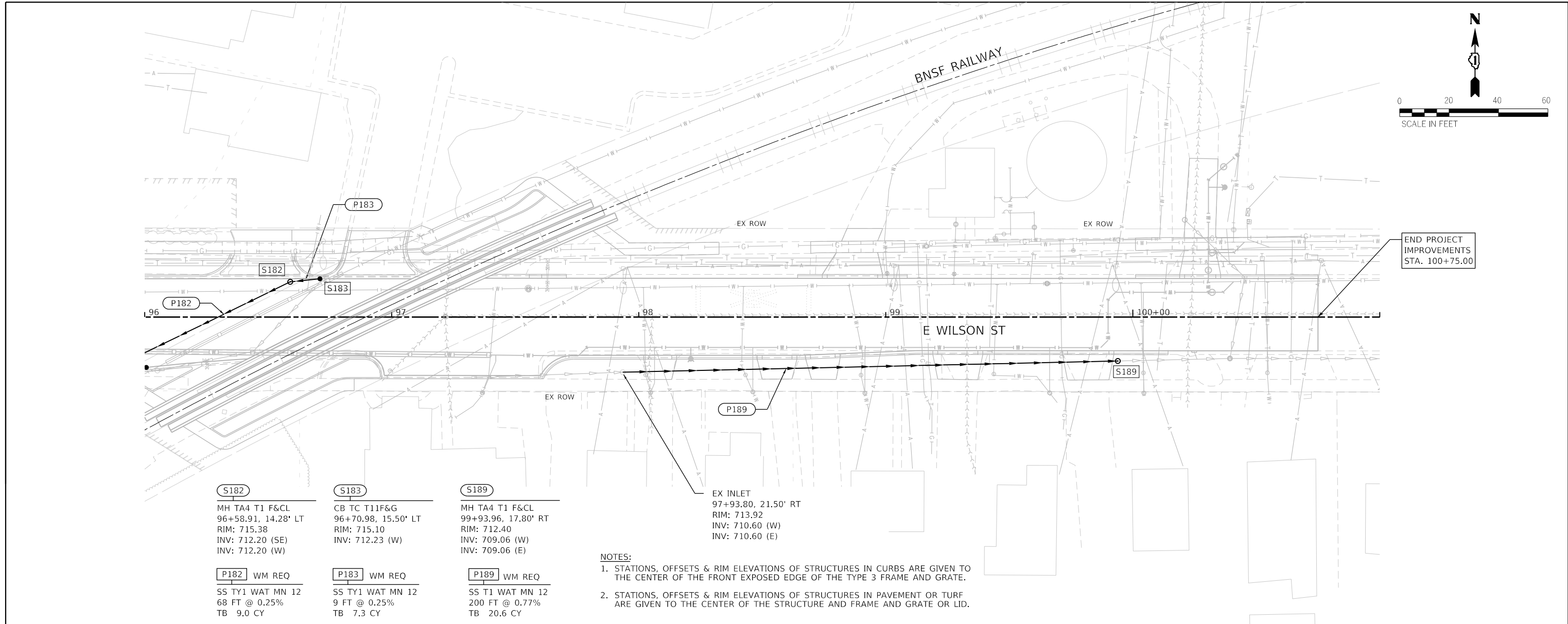
FILE NAME = sht-Eros_details-06.dgn	USER NAME = sbpottorff	DESIGNED - SBP	REVISED -
Default		DRAWN - BMS	REVISED -
	PLOT SCALE = 20.0000 ' / in.	CHECKED - JLV	REVISED -
	PLOT DATE = 2/15/2023	DATE - 2/15/2023	REVISED -

F.A.U. RTE. 2511	SECTION 16-00086-01-FP	COUNTY KANE	TOTAL SHEETS 169	SHEET NO. 59
CONTRACT NO. 61J35				
ILLINOIS FED. AID PROJECT				

PLAN	SURVEYED	BY	DATE
	PLOTTED		
	ALIGNED		
	CHECKED		
	FILE NAME		
	NO.		

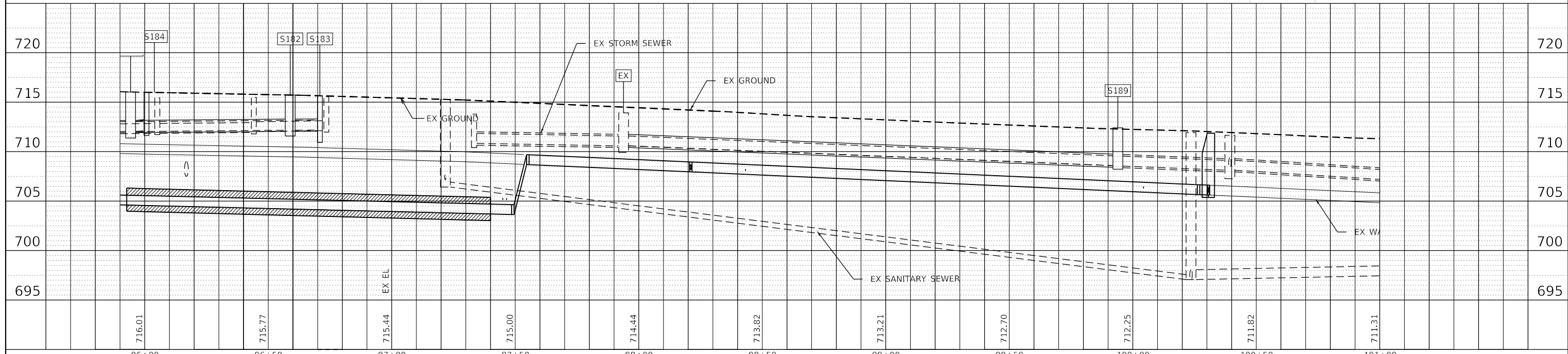
PROFILE	SURVEYED	BY	DATE
	PLOTTED		
	GRADES CHECKED		
	STRUCTURE		
	NOT AT THIS OFFICE		
	NO.		

TRANSYSTEMS
 1475 EAST WOODFIELD ROAD, SUITE 600
 SCHAMUNBURG, ILLINOIS 60173
 (847) 805-9600

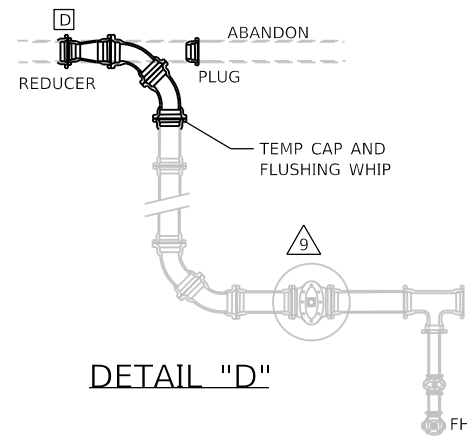


S182 MH TA4 T1 F&CL 96+58.91, 14.28' LT RIM: 715.38 INV: 712.20 (SE) INV: 712.20 (W)	S183 CB TC T11F&G 96+70.98, 15.50' LT RIM: 715.10 INV: 712.23 (W)	S189 MH TA4 T1 F&CL 99+93.96, 17.80' RT RIM: 712.40 INV: 709.06 (W) INV: 709.06 (E)
P182 WM REQ SS TY1 WAT MN 12 68 FT @ 0.25% TB 9.0 CY	P183 WM REQ SS TY1 WAT MN 12 9 FT @ 0.25% TB 7.3 CY	P189 WM REQ SS T1 WAT MN 12 200 FT @ 0.77% TB 20.6 CY

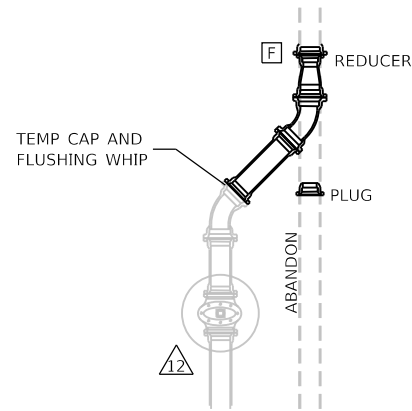
- NOTES:**
1. STATIONS, OFFSETS & RIM ELEVATIONS OF STRUCTURES IN CURBS ARE GIVEN TO THE CENTER OF THE FRONT EXPOSED EDGE OF THE TYPE 3 FRAME AND GRATE.
 2. STATIONS, OFFSETS & RIM ELEVATIONS OF STRUCTURES IN PAVEMENT OR TURF ARE GIVEN TO THE CENTER OF THE STRUCTURE AND FRAME AND GRATE OR LID.



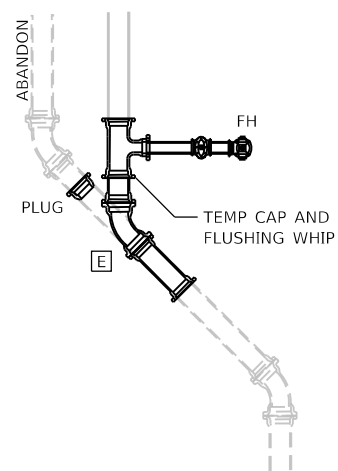
FILE NAME = sht-drainage-04.dgn	USER NAME = sbpottorff	DESIGNED - SBP	REVISED SBP	STATE OF ILLINOIS DEPARTMENT OF TRANSPORTATION	PRAIRIE STREET AT WILSON STREET INTERSECTION IMPROVEMENTS DRAINAGE AND UTILITY PLAN	F.A.U. RTE. = 2511	SECTION = 16-00086-01-FP	COUNTY = KANE	TOTAL SHEETS = 169	SHEET NO. = 63		
Default	PLOT SCALE =	CHECKED - JLV	REVISED JLV			SCALE: 1" = 20'	SHEET 4 OF 4 SHEETS	STA. 96+00	TO STA. 101+00	CONTRACT NO. 61J35		
	PLOT DATE = 2/15/2023	DATE - 2/15/2023	REVISED -			ILLINOIS FED. AID PROJECT						



DETAIL "D"



DETAIL "F"



DETAIL "E"

LEGEND

- EXISTING WATERMAIN
- NEWLY CONSTRUCTED PR WATERMAIN
- PERMANENT NON-PRESSURE CONNECTION

WATERMAIN WORK - PRESTAGE 1A

1. LOCATE EX 20" WM ON THE EAST SIDE OF THE WELL HOUSE STA 100+42.96, 66.19' LT [A] AND THE EX 12" WM STA 100+45.17, 30.37' LT. [B]
2. CONSTRUCT WM AND WM VALVES, 14, 13, AND 12
3. COMPLETE PRESSURE TESTING, BIOLOGICAL TESTING, AND DISINFECTION OF ALL INSTALLED NEW MAINS.
4. PERFORM PERMANENT NON-PRESSURE CONNECTIONS TO EXISTING MAIN AT LOCATIONS [A] AND [B] TO REESTABLISH SERVICE TO THE 20" AND 12" WM TO ACT AS THE WATER SOURCE FOR THE NEW WATER SYSTEM. KEEP WATER VALVE 12 CLOSED.

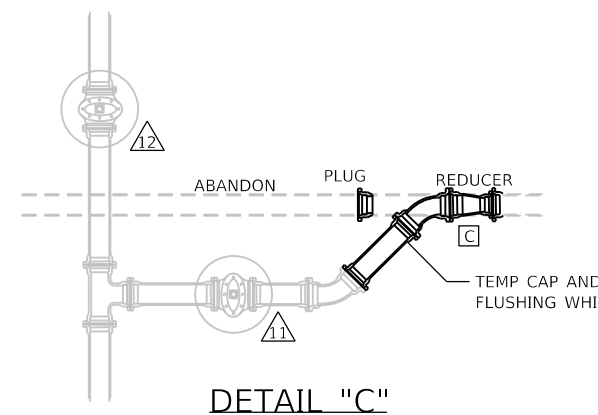
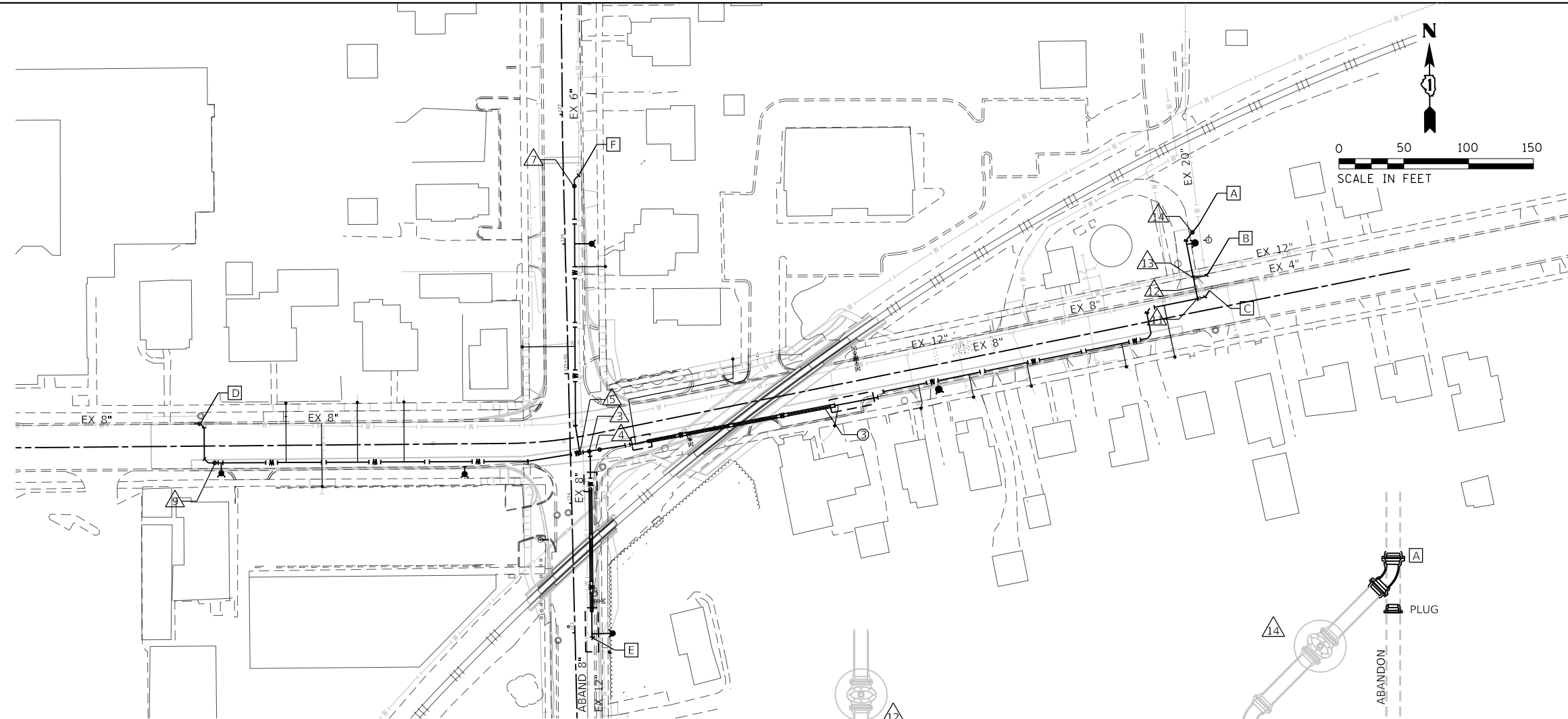
WATERMAIN WORK - STAGE 1

1. MAINTAIN EXISTING WATER SYSTEM.
2. CONSTRUCT PR 28" CASING PIPES UNDER THE RAILROAD CROSSINGS ON WILSON STREET AND PRAIRIE STREET.
3. CONSTRUCT PR 12" WM ALONG WILSON STREET FROM WM VALVE 12 TO STA 92+49.55, 17.25 LT AND ON PRAIRIE STREET FROM STA 122+89.14, 21.30' RT TO STA 126+52.77, 11.77' RT INCLUDING WM VALVES 3, 4, 5, 7, 9, AND 11.
4. OPEN WM VALVE 12 TO FILL NEWLY CONSTRUCTED WM. COMPLETE PRESSURE TESTING, BIOLOGICAL TESTING, AND DISINFECTION OF ALL INSTALLED NEW MAINS.
5. IN ORDER TO MAINTAIN RESIDENTIAL AND COMMERCIAL WATER SERVICES UNTIL THE NEW SERVICES CAN BE INSTALLED, MAKE TEMPORARY CONNECTIONS BETWEEN THE NEW WATERMAIN AND THE EXISTING WM SO THAT BOTH ARE ACTIVE AT THE SAME TIME.
6. CONSTRUCT 1-INCH FLUSHING WHIPS AT TEMPORARY CAPS AT STA 100+40.80, 14.31 LT [C], STA 92+49.55, 17.25 LT [D] ON WILSON AND STA 126+52.77, 11.77' RT [F] ON PRAIRIE STREET

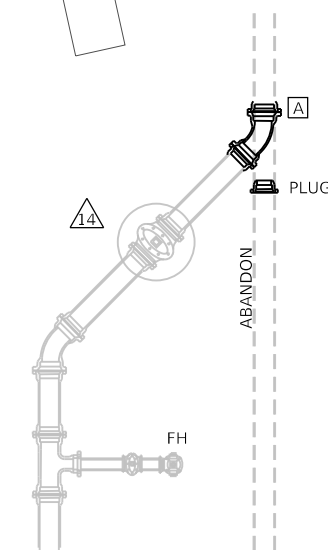
7. CONNECT NEW COMMERCIAL AND RESIDENTIAL WATER SERVICES.
8. CONSTRUCT PERMANENT NON-PRESSURE CONNECTIONS AT STA 100+40.80, 14.31 LT [C], STA 92+49.55, 17.25 LT [D] ON WILSON STREET AND STA 122+89.14, 21.30' RT [E] TO STA 126+52.77, 11.77' RT [F] ON PRAIRIE STREET.
9. PLUG AND ABANDON EXISTING WATERMAIN. REMOVE EXISTING ABANDONED WATER VALVES AND REMOVE CONE TOP AND FILL THE WATER VAULTS.

NOTES

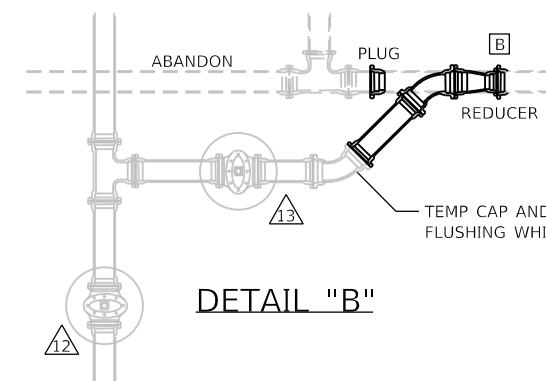
THE CONTRACTOR SHALL INSTALL A 1-INCH FLUSHING SERVICE (WHIP) AT ALL TEMPORARY CAPS UNTIL THE FINAL CONNECTIONS ARE MADE TO THE EXISTING WATERMAIN. EXACT LOCATION OF THE WHIP WILL BE APPROVED BY THE ENGINEER.



DETAIL "C"



DETAIL "A"



DETAIL "B"

FILE NAME = sht-WM Sequence-00.dgn	USER NAME = sbpottorff	DESIGNED - SBP	REVISED -
Default	PLOT SCALE = 100.0000' / in.	DRAWN - BMS	REVISED -
	PLOT DATE = 2/15/2023	CHECKED - JLV	REVISED -
		DATE - 2/15/2023	REVISED -

**STATE OF ILLINOIS
 DEPARTMENT OF TRANSPORTATION**

**PRAIRIE STREET AT WILSON STREET INTERSECTION IMPROVEMENTS
 WATERMAIN SEQUENCE OF CONSTRUCTION PLAN**

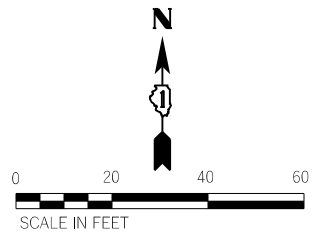
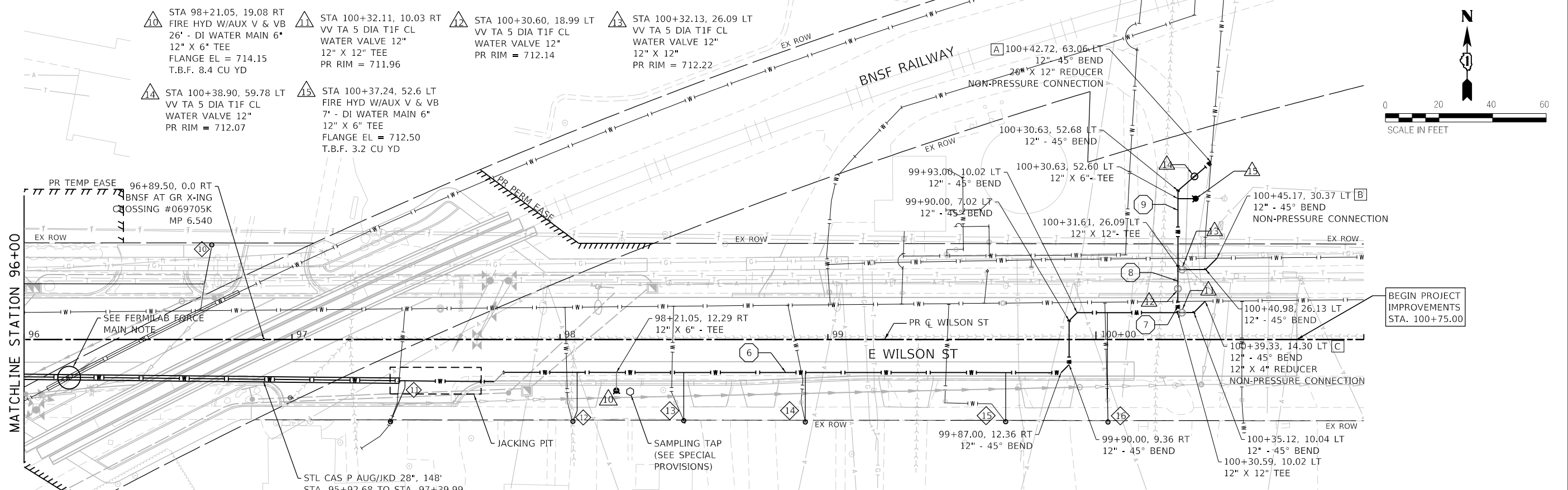
SCALE: 1" = 50' SHEET 1 OF 5 SHEETS STA. TO STA.

F.A.U. RTE. 2511	SECTION 16-00086-01-FP	COUNTY KANE	TOTAL SHEETS 169	SHEET NO. 64
CONTRACT NO. 61J35				
ILLINOIS FED. AID PROJECT				

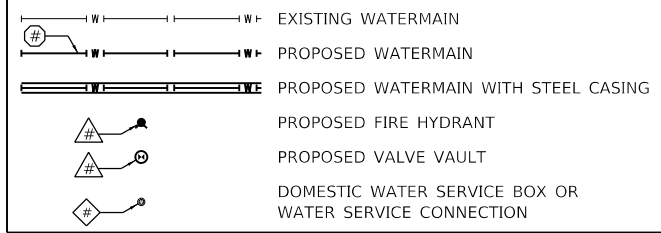
PLAN	SURVEYED	DATE
	PLOTTED	
	GRADES CHECKED	
	STRUCTURE NOTATIONS OK'D	
	NOTE BOOK NO.	
	BY	

PROFILE	SURVEYED	DATE
	PLOTTED	
	GRADES CHECKED	
	STRUCTURE NOTATIONS OK'D	
	NOTE BOOK NO.	
	BY	

TRANSYSTEMS
 1475 EAST WOODFIELD ROAD, SUITE 600
 SCHAMUNBURG, ILLINOIS 60173
 (847) 605-9600



LEGEND



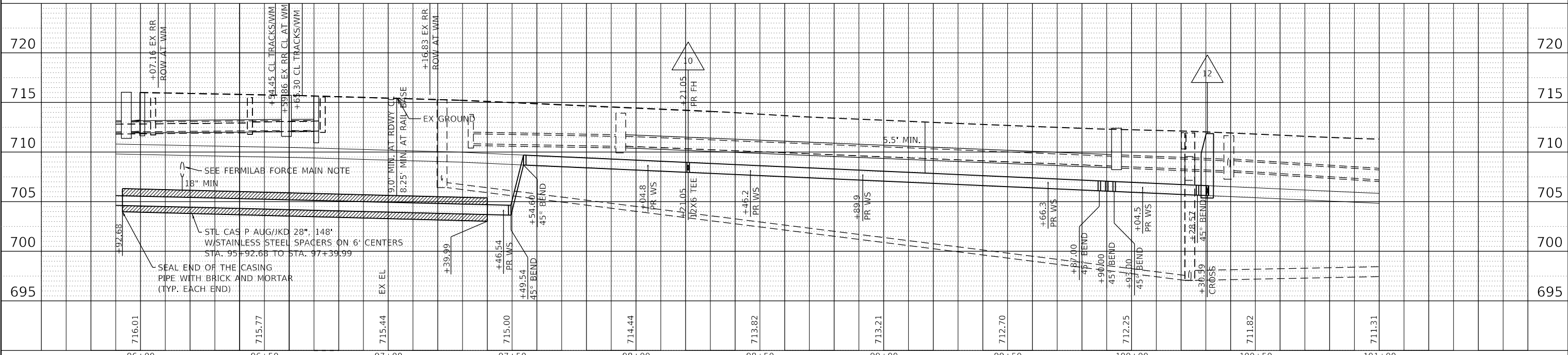
- 10 STA 96+70.05, 35.32 LT WATER SER CONN (LONG) LID EL = 715.70
- 13 STA 98+46.20, 30.30 RT WATER SER CONN (SHORT) LID EL = 713.71
- 16 STA 100+04.51, 30.80 RT WATER SER CONN (LONG) LID EL = 712.23
- 11 STA 97+36.74, 30.72 RT WATER SER CONN (SHORT) LID EL = 714.24
- 14 STA 98+89.98, 23.50 RT WATER SER CONN (SHORT) LID EL = 713.47
- 6 463" DI WATER MAIN 12" W/ POLYETHYLENE ENCASUREMENT T.B.F. = 251.5 CU YD
- 12 STA 98+04.83, 30.57 RT WATER SER CONN (SHORT) LID EL = 713.82
- 15 STA 99+66.34, 30.70 RT WATER SER CONN (SHORT) LID EL = 713.13
- 7 10' DI WATER MAIN 12" W/ POLYETHYLENE ENCASUREMENT T.B.F. = 6.4 CU YD
- 8 7' DI WATER MAIN 12" W/ POLYETHYLENE ENCASUREMENT T.B.F. = 4.5 CU YD
- 9 46" DI WATER MAIN 12" W/ POLYETHYLENE ENCASUREMENT T.B.F. = 38.8 CU YD

NOTES:

- ALL WATER SERVICES SHALL BE REPLACED WITHIN THE WATER MAIN IMPROVEMENT LIMITS AND WILL BE PAID FOR AS: WATER SERVICE CONNECTION (SHORT) OR WATER SERVICE CONNECTION (LONG)
- WATER MAIN SHALL BE BORED AND JACKED WITHIN RAILWAY ROW. PIT SHALL BE AT LEAST 30' FROM CENTERLINE OF TRACK.

FERMLAB FORCE MAIN:

- THE CONTRACT SHALL BE AWARE OF THE EXISTING FERMI LAB WATER FORCE MAIN RUNNING PARALLEL TO THE BNSF RAILROAD TRACK.
- CONTRACTOR IS REQUIRED TO COMPLETE EXPLORATORY EXPLORATION FOR THIS UTILITY. THE CONTRACTOR WILL COORDINATE THIS UTILITY LOCATE AND EXPLORATORY EXCAVATION WITH FERMLAB. CONTACT JOSH KENNEY AT 708-243-1061 AT LEAST 72 HOURS IN ADVANCE OF THE WORK.



FILE NAME = sht-watermain-04.dgn	USER NAME = sbpottorff	DESIGNED -	REVISED SBP	STATE OF ILLINOIS DEPARTMENT OF TRANSPORTATION	PRAIRIE STREET AT WILSON STREET INTERSECTION IMPROVEMENTS WATERMAIN PLAN	F.A.U. RTE. = 2511	SECTION = 16-00086-01-FP	COUNTY = KANE	TOTAL SHEETS = 169	SHEET NO. = 68		
Default	PLOT SCALE =	CHECKED -	REVISED BMS			SCALE: 1" = 20'	SHEET 5 OF 5 SHEETS	STA. 96+00	TO STA. 101+00	CONTRACT NO. 61J35		
	PLOT DATE = 2/15/2023	DATE -	REVISED JLJ			ILLINOIS FED. AID PROJECT						
			REVISED -									

PARCEL NO.	TOTAL HOLDING ACRES	PART TAKING ACRES	AREA IN EXISTING R.O.W. ACRES	REMAINDER AREA ACRES	EASEMENT AREA		PERMANENT INDEX NUMBER
					ACRES	SQUARE FEET	
0001	0.72	0.030		0.69			12-22-281-022
0001TE	0.72				0.036		12-22-281-022
0002PE	0.74				0.016		12-22-501-019

Point	North	East
3000	1887515.17	992905.16
3001	1887525.21	992920.10
3002	1887720.67	992918.89
3003	1887790.18	992917.14

NOTES:

- ALL DIMENSIONS ARE MEASURED UNLESS OTHERWISE SPECIFIED.
- BEARINGS AND DISTANCES SHOWN HEREON ARE THE ILLINOIS STATE PLANE COORDINATE SYSTEM, EAST ZONE, NORTH AMERICAN DATUM OF 1983 (1997 ADJUSTMENT) "GRID".
- ALL MEASURED AND CALCULATED DISTANCES ARE "GRID"/NOT "GROUND". TO OBTAIN GROUND DISTANCES, DIVIDE GRID DISTANCES BY THE COMBINED SCALE FACTOR OF 0.99997509.
- AREAS SHOWN ON THIS PLAT A "GROUND".

0 20 40 60

SCALE IN FEET

LEGEND

- SECTION CORNER
- QUARTER SECTION CORNER
- SECTION / QUARTER SECTION LINE
- PLATTED LOT LINES
- PROPERTY (DEED) LINE
- APPARENT PROPERTY LINE
- EXISTING CENTERLINE
- PROPOSED CENTERLINE
- EXISTING RIGHT OF WAY LINE
- PROPOSED RIGHT OF WAY LINE
- EXISTING EASEMENT
- PROPOSED EASEMENT
- EXISTING ACCESS CONTROL LINE
- PROPOSED ACCESS CONTROL LINE
- MEASURED DIMENSION
- COMPUTED DIMENSION
- RECORDED DIMENSION
- EXISTING BUILDING
- IRON PIPE OR ROD FOUND
- CUT CROSS FOUND OR SET
- *MAG* NAIL SET
- 5 / 8" REBAR SET
- STAKING OF PROPOSED RIGHT OF WAY. SET DIVISION OF HIGHWAYS SURVEY MARKER TO MONUMENT THE POSITION SHOWN. IDENTIFIED BY INSCRIPTION DATA AND SURVEYORS REGISTRATION NUMBER.
- STAKING OF PROPOSED RIGHT OF WAY IN CULTIVATED AREAS. BURIED 5/8 INCH METAL ROD 20 INCHES BELOW GROUND TO MARK FUTURE SURVEY MARKER POSITION IDENTIFIED BY COLORED PLASTIC CAP BEARING SURVEYORS REGISTRATION NUMBER.
- RIGHT OF WAY STAKING PROPOSED TO BE SET

STATE OF ILLINOIS)
COUNTY OF KANE)

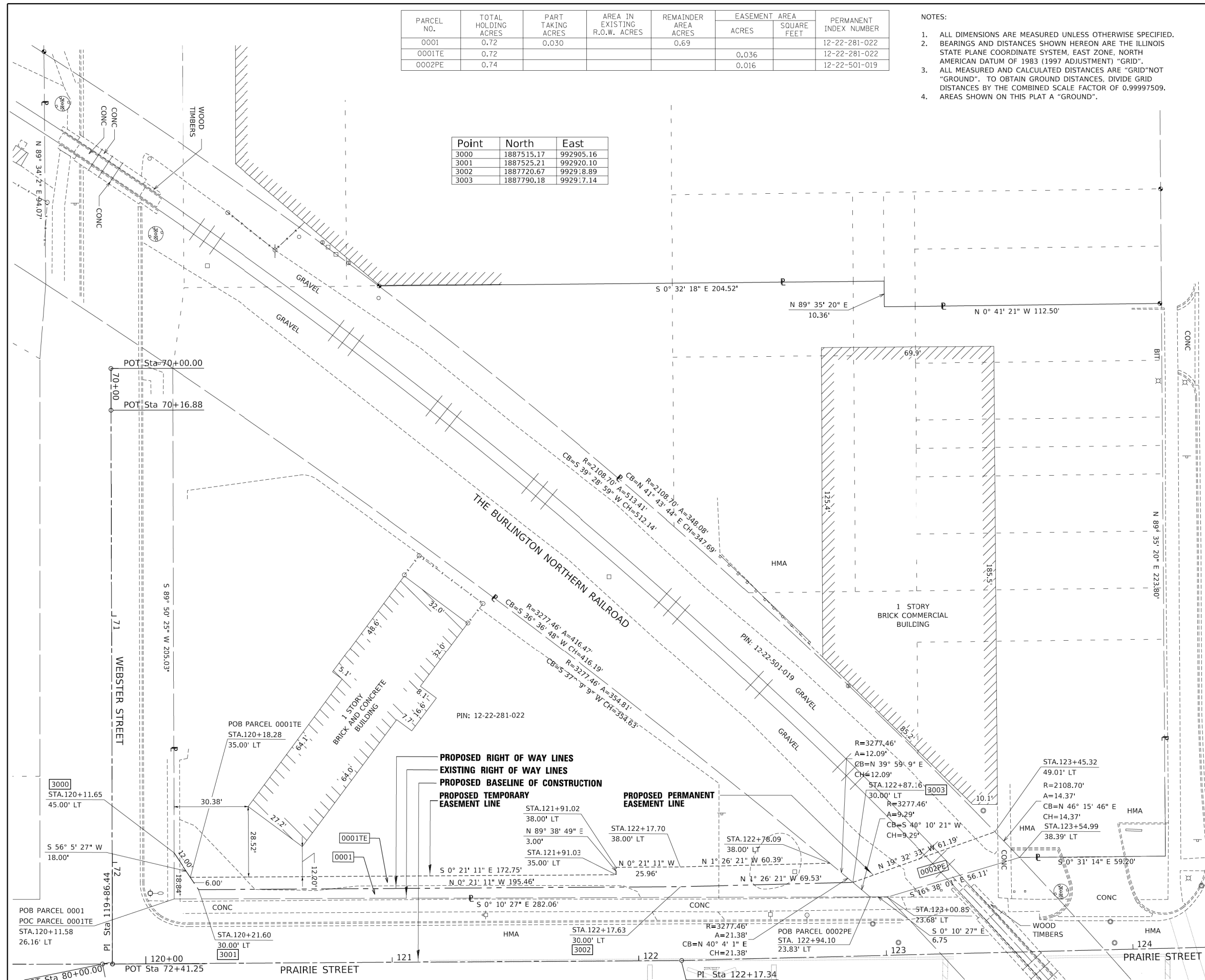
THIS IS TO CERTIFY THAT I, DANIEL WALTER, AN ILLINOIS PROFESSIONAL LAND SURVEYOR, (WE, COMPASS SURVEYING, LTD. AN ILLINOIS PROFESSIONAL DESIGN FIRM LAND SURVEYING CORPORATION, NUMBER 184-002778), HAVE SURVEYED THE PLAT OF HIGHWAYS SHOWN HEREON IN SECTION 9, TOWNSHIP 45 NORTH, RANGE 9 EAST OF THE THIRD PRINCIPAL MERIDIAN, LAKE COUNTY, THAT THE SURVEY IS TRUE AND COMPLETE AS SHOWN TO THE BEST OF MY KNOWLEDGE AND BELIEF, THAT THE PLAT CORRECTLY REPRESENTS SAID SURVEY, THAT ALL MONUMENTS FOUND AND ESTABLISHED ARE OF PERMANENT QUALITY AND OCCUPY THE POSITIONS SHOWN THEREON AND THAT THE MONUMENTS ARE SUFFICIENT TO ENABLE THE SURVEY TO BE RETRACED, MADE FOR THE DEPARTMENT OF TRANSPORTATION, STATE OF ILLINOIS.

DATED AT AURORA, ILLINOIS THIS 29TH DAY OF DECEMBER 2021 A.D.

ILLINOIS PROFESSIONAL LAND SURVEYOR NO. 3585
EXPIRES NOVEMBER 30, 2024
COMPASS SURVEYING, LTD
ILLINOIS PROFESSIONAL DESIGN FIRM LAND SURVEYING CORPORATION NUMBER 184-002778
LICENSE EXPIRATION DATE: APRIL 30, 2023

THIS PROFESSIONAL SERVICE CONFORMS TO THE CURRENT ILLINOIS MINIMUM STANDARDS FOR A BOUNDARY SURVEY.

COMPASS SURVEYING LTD
2631 Ginger Woods Parkway,
Suite 100 Aurora IL 60502
PHONE: (630)820-9100
FAX: (630)820-7030



TRANSYSTEMS
1475 EAST WOODFIELD ROAD, SUITE 600
SCHAUMBURG, ILLINOIS 60173
(847) 605-9600

FILE NAME = sht:plat-01.dgn	USER NAME = sbpottorff	DESIGNED - SBP	REVISED -
Default		DRAWN - BMS	REVISED -
		CHECKED - JLV	REVISED -
		DATE - 2/15/2023	REVISED -

STATE OF ILLINOIS
DEPARTMENT OF TRANSPORTATION

PRAIRIE STREET AT WILSON STREET INTERSECTION IMPROVEMENTS
PLAT OF HIGHWAYS

F.A.U. RTE.	SECTION	COUNTY	TOTAL SHEETS	SHEET NO.
2511	16-00086-01-FP	KANE	169	69
CONTRACT NO. 61J35				
ILLINOIS FED. AID PROJECT				

SCALE: 1" = 20' SHEET 1 OF 4 SHEETS STA. TO STA.

PARCEL NO.	TOTAL HOLDING ACRES	PART TAKING ACRES	AREA IN EXISTING R.O.W. ACRES	REMAINDER AREA ACRES	EASEMENT AREA		PERMANENT INDEX NUMBER
					ACRES	SQUARE FEET	
0007	0.48	0.017		0.46			12-23-155-001
0007TE	0.48				0.019		12-23-155-001
0008	0.17	238 SQ. FT.		0.17			12-23-155-002
0008TE	0.17				0.007	318	12-23-155-002
0009	0.26	0.011		0.25			12-23-155-003
0009TE	0.26				0.004	159	12-23-155-003
0010	0.15	274 SQ. FT.		0.14			12-23-155-005

Point	North	East
3058	1887858.15	992981.46
3076	1887721.67	992978.89
3077	1887670.70	992979.20
3085	1887568.82	992979.83
3086	1887528.05	992980.08
3087	1887519.88	992990.13
3090	1887822.74	992982.35
3091	1887805.46	992976.78

NOTES:

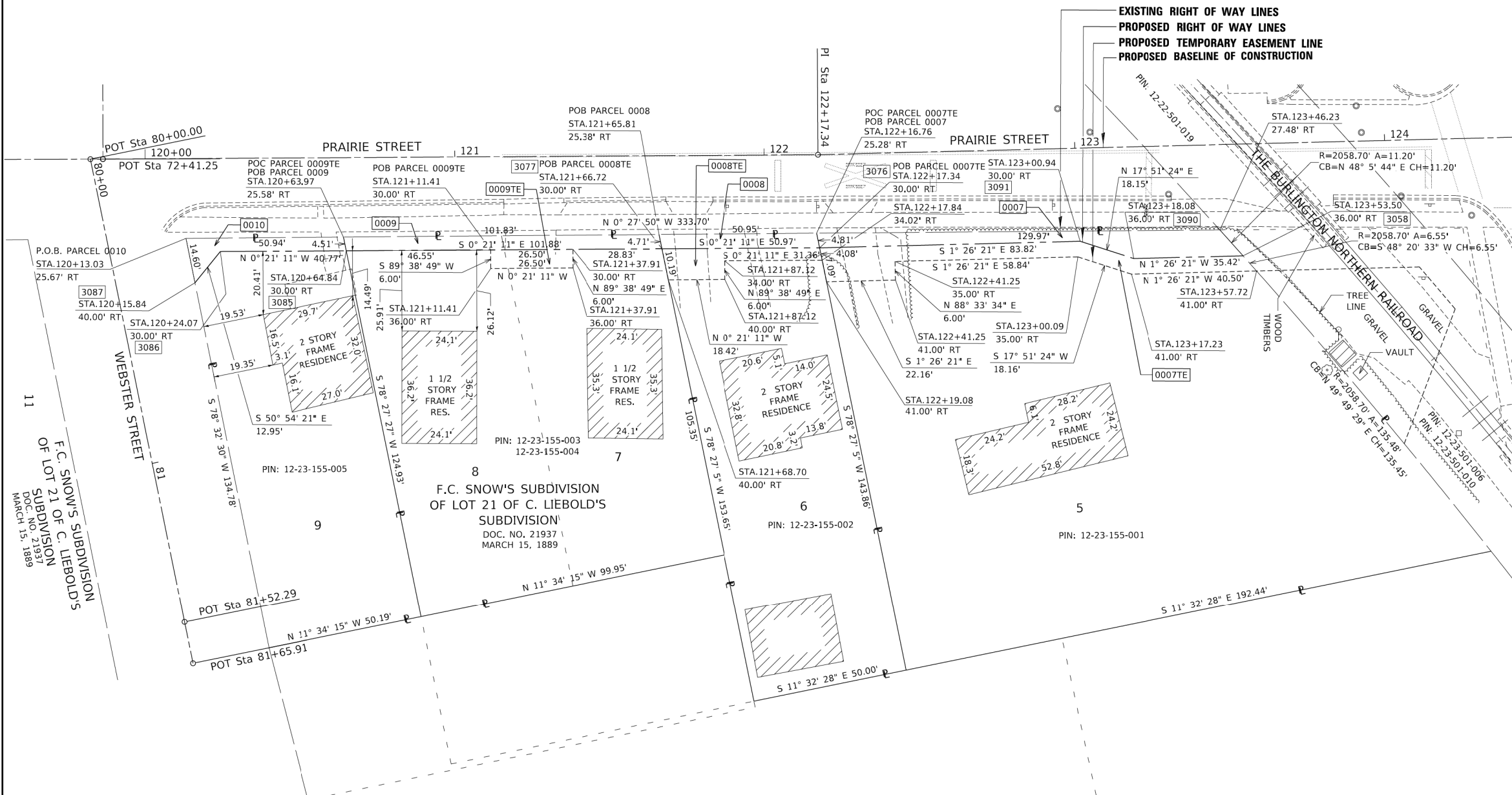
- ALL DIMENSIONS ARE MEASURED UNLESS OTHERWISE SPECIFIED.
- BEARINGS AND DISTANCES SHOWN HEREON ARE THE ILLINOIS STATE PLANE COORDINATE SYSTEM, EAST ZONE, NORTH AMERICAN DATUM OF 1983 (1997 ADJUSTMENT) "GRID".
- ALL MEASURED AND CALCULATED DISTANCES ARE "GRID"/NOT "GROUND". TO OBTAIN GROUND DISTANCES, DIVIDE GRID DISTANCES BY THE COMBINED SCALE FACTOR OF 0.99997509.
- AREAS SHOWN ON THIS PLAT A "GROUND".



SCALE IN FEET

LEGEND

- SECTION CORNER
- QUARTER SECTION CORNER
- SECTION / QUARTER SECTION LINE
- PLATTED LOT LINES
- PROPERTY (DEED) LINE
- APPARENT PROPERTY LINE
- EXISTING CENTERLINE
- PROPOSED CENTERLINE
- EXISTING RIGHT OF WAY LINE
- PROPOSED RIGHT OF WAY LINE
- EXISTING EASEMENT
- PROPOSED EASEMENT
- EXISTING ACCESS CONTROL LINE
- PROPOSED ACCESS CONTROL LINE
- MEASURED DIMENSION
- COMPUTED DIMENSION
- RECORDED DIMENSION
- EXISTING BUILDING
- IRON PIPE OR ROD FOUND
- CUT CROSS FOUND OR SET
- "MAG" NAIL SET
- 5 / 8" REBAR SET
- STAKING OF PROPOSED RIGHT OF WAY. SET DIVISION OF HIGHWAYS SURVEY MARKER TO MONUMENT THE POSITION SHOWN. IDENTIFIED BY INSCRIPTION DATA AND SURVEYORS REGISTRATION NUMBER.
- STAKING OF PROPOSED RIGHT OF WAY IN CULTIVATED AREAS. BURIED 5/8 INCH METAL ROD 20 INCHES BELOW GROUND TO MARK FUTURE SURVEY MARKER POSITION IDENTIFIED BY COLORED PLASTIC CAP BEARING SURVEYORS REGISTRATION NUMBER.
- RIGHT OF WAY STAKING PROPOSED TO BE SET



STATE OF ILLINOIS)
COUNTY OF KANE)SS

THIS IS TO CERTIFY THAT I, DANIEL WALTER, AN ILLINOIS PROFESSIONAL LAND SURVEYOR, (WE, COMPASS SURVEYING, LTD. AN ILLINOIS PROFESSIONAL DESIGN FIRM LAND SURVEYING CORPORATION, NUMBER 184-002778), HAVE SURVEYED THE PLAT OF HIGHWAYS SHOWN HEREON IN SECTION 9, TOWNSHIP 45 NORTH, RANGE 9 EAST OF THE THIRD PRINCIPAL MERIDIAN, LAKE COUNTY, THAT THE SURVEY IS TRUE AND COMPLETE AS SHOWN TO THE BEST OF MY KNOWLEDGE AND BELIEF, THAT THE PLAT CORRECTLY REPRESENTS SAID SURVEY, THAT ALL MONUMENTS FOUND AND ESTABLISHED ARE OF PERMANENT QUALITY AND OCCUPY THE POSITIONS SHOWN THEREON AND THAT THE MONUMENTS ARE SUFFICIENT TO RE-TRACE THE SURVEY TO BE RETRACED, MADE FOR THE DEPARTMENT OF TRANSPORTATION, STATE OF ILLINOIS.

DATED AT AURORA, ILLINOIS THIS 29TH DAY OF DECEMBER 2021 A.D.

ILLINOIS PROFESSIONAL LAND SURVEYOR NO. 3585
EXPIRES NOVEMBER 30, 2024
COMPASS SURVEYING, LTD
ILLINOIS PROFESSIONAL DESIGN FIRM LAND SURVEYING CORPORATION NUMBER 184-002778
LICENSE EXPIRATION DATE: APRIL 30, 2023

THIS PROFESSIONAL SERVICE CONFORMS TO THE CURRENT ILLINOIS MINIMUM STANDARDS FOR A BOUNDARY SURVEY.

TRANSYSTEMS
1475 EAST WOODFIELD ROAD, SUITE 600
SCHAUMBURG, ILLINOIS 60173
(847) 605-9600

FILE NAME = sht:plat-01.dgn	USER NAME = sbpottorff	DESIGNED - SBP	REVISED -
Default		DRAWN - BMS	REVISED -
		CHECKED - JLV	REVISED -
		DATE - 2/15/2023	REVISED -

STATE OF ILLINOIS
DEPARTMENT OF TRANSPORTATION

PRAIRIE STREET AT WILSON STREET INTERSECTION IMPROVEMENTS
PLAT OF HIGHWAYS

SCALE: 1" = 20' SHEET 2 OF 4 SHEETS STA. TO STA.

F.A.U. RTE.	SECTION	COUNTY	TOTAL SHEETS	SHEET NO.
2511	16-00086-01-FP	KANE	169	70
CONTRACT NO. 61J35				
ILLINOIS FED. AID PROJECT				

COMPASS SURVEYING LTD
2631 Ginger Woods Parkway,
Suite 100 Aurora IL 60502
PHONE: (630)820-9100
FAX: (630)820-7030

PARCEL NO.	TOTAL HOLDING ACRES	PART TAKING ACRES	AREA IN EXISTING R.O.W. ACRES	REMAINDER AREA ACRES	EASEMENT AREA		PERMANENT INDEX NUMBER
					ACRES	SQUARE FEET	
0005	0.15	99 SQ. FT.		0.15			12-23-151-010
0005TE	0.16				0.034		12-23-151-010

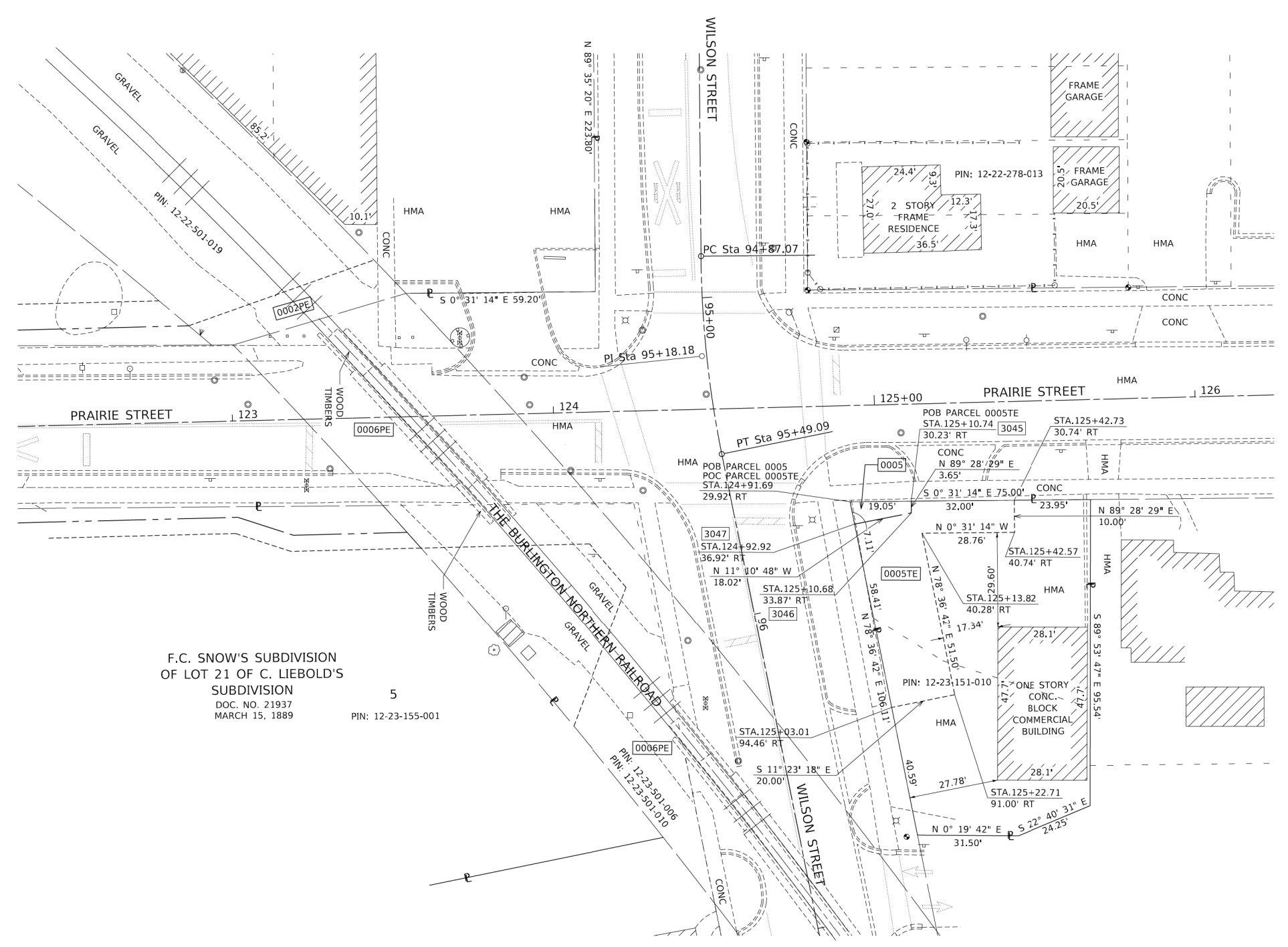
Point	North	East
3045	1888015.20	992971.74
3046	1888015.23	992975.38
3047	1887997.55	992978.88

- NOTES:
- ALL DIMENSIONS ARE MEASURED UNLESS OTHERWISE SPECIFIED.
 - BEARINGS AND DISTANCES SHOWN HEREON ARE THE ILLINOIS STATE PLANE COORDINATE SYSTEM, EAST ZONE, NORTH AMERICAN DATUM OF 1983 (1997 ADJUSTMENT) "GRID".
 - ALL MEASURED AND CALCULATED DISTANCES ARE "GRID" NOT "GROUND". TO OBTAIN GROUND DISTANCES, DIVIDE GRID DISTANCES BY THE COMBINED SCALE FACTOR OF 0.99997509.
 - AREAS SHOWN ON THIS PLAT A "GROUND".



LEGEND

-
- SECTION CORNER
QUARTER SECTION CORNER
- SECTION / QUARTER SECTION LINE
 - PLATTED LOT LINES
 - PROPERTY (DEED) LINE
 - APPL APPARENT PROPERTY LINE
 - EXISTING CENTERLINE
 - PROPOSED CENTERLINE
 - EXISTING RIGHT OF WAY LINE
 - PROPOSED RIGHT OF WAY LINE
 - EXISTING EASEMENT
 - PROPOSED EASEMENT
 - AC EXISTING ACCESS CONTROL LINE
 - AC PROPOSED ACCESS CONTROL LINE
 - MEASURED DIMENSION
 - 129.32' (COMP) COMPUTED DIMENSION
 - (129.32') RECORDED DIMENSION
 - EXISTING BUILDING
 - IRON PIPE OR ROD FOUND
 - *MAG* NAIL SET
 - CUT CROSS FOUND OR SET
 - 5 / 8" REBAR SET
 - STAKING OF PROPOSED RIGHT OF WAY. SET DIVISION OF HIGHWAYS SURVEY MARKER TO MONUMENT THE POSITION SHOWN. IDENTIFIED BY INSCRIPTION DATA AND SURVEYORS REGISTRATION NUMBER.
 - STAKING OF PROPOSED RIGHT OF WAY IN CULTIVATED AREAS. BURIED 5/8 INCH METAL ROD 20 INCHES BELOW GROUND TO MARK FUTURE SURVEY MARKER POSITION IDENTIFIED BY COLORED PLASTIC CAP BEARING SURVEYORS REGISTRATION NUMBER.
 - RIGHT OF WAY STAKING PROPOSED TO BE SET



F.C. SNOW'S SUBDIVISION
OF LOT 21 OF C. LIEBOLD'S
SUBDIVISION
DOC. NO. 21937
MARCH 15, 1889
5
PIN: 12-23-155-001

STATE OF ILLINOIS)
)SS
COUNTY OF KANE)

THIS IS TO CERTIFY THAT I, DANIEL WALTER, AN ILLINOIS PROFESSIONAL LAND SURVEYOR, (WE, COMPASS SURVEYING, LTD. AN ILLINOIS PROFESSIONAL DESIGN FIRM LAND SURVEYING CORPORATION, NUMBER 184-002778,) HAVE SURVEYED THE PLAT OF HIGHWAYS SHOWN HEREON IN SECTION 9, TOWNSHIP 45 NORTH, RANGE 9 EAST OF THE THIRD PRINCIPAL MERIDIAN, LAKE COUNTY, THAT THE SURVEY IS TRUE AND COMPLETE AS SHOWN TO THE BEST OF MY KNOWLEDGE AND BELIEF, THAT THE PLAT CORRECTLY REPRESENTS SAID SURVEY, THAT ALL MONUMENTS FOUND AND ESTABLISHED ARE OF PERMANENT QUALITY AND OCCUPY THE POSITIONS SHOWN THEREON AND THAT THE MONUMENTS ARE SUFFICIENT TO ENABLE THE SURVEY TO BE RETRACED, MADE FOR THE DEPARTMENT OF TRANSPORTATION, STATE OF ILLINOIS.

DATED AT AURORA, ILLINOIS THIS 29TH DAY OF DECEMBER 2021 A.D.

ILLINOIS PROFESSIONAL LAND SURVEYOR NO. 3585
EXPIRES NOVEMBER 30, 2024
COMPASS SURVEYING, LTD
ILLINOIS PROFESSIONAL DESIGN FIRM LAND SURVEYING
CORPORATION NUMBER 184-002778
LICENSE EXPIRATION DATE: APRIL 30, 2023

THIS PROFESSIONAL SERVICE CONFORMS TO THE CURRENT ILLINOIS MINIMUM STANDARDS FOR A BOUNDARY SURVEY.

TRANSYSTEMS
1475 EAST WOODFIELD ROAD, SUITE 600
SCHAUMBURG, ILLINOIS 60173
(847) 605-9600

COMPASS SURVEYING LTD
2631 Ginger Woods Parkway,
Suite 100 Aurora IL 60502
PHONE: (630)820-9100
FAX: (630)820-7030

FILE NAME = sht:plat-01.dgn	USER NAME = sbpottorff	DESIGNED - SBP	REVISED -
Default		DRAWN - BMS	REVISED -
	PLOT SCALE = 2,000' / in.	CHECKED - JLV	REVISED -
	PLOT DATE = 2/15/2023	DATE - 2/15/2023	REVISED -

STATE OF ILLINOIS
DEPARTMENT OF TRANSPORTATION

PRAIRIE STREET AT WILSON STREET INTERSECTION IMPROVEMENTS
PLAT OF HIGHWAYS

SCALE: 1" = 20' SHEET 3 OF 4 SHEETS STA. TO STA.

F.A.U. RTE.	SECTION	COUNTY	TOTAL SHEETS	SHEET NO.
2511	16-00086-01-FP	KANE	169	71
CONTRACT NO. 61J35				
ILLINOIS FED. AID PROJECT				

PARCEL NO.	TOTAL HOLDING ACRES	PART TAKING ACRES	AREA IN EXISTING R.O.W. ACRES	REMAINDER AREA ACRES	EASEMENT AREA		PERMANENT INDEX NUMBER
					ACRES	SQUARE FEET	
0006PE	0.65				0.362		12-23-501-006 12-23-501-010

NOTES:

- ALL DIMENSIONS ARE MEASURED UNLESS OTHERWISE SPECIFIED.
- BEARINGS AND DISTANCES SHOWN HEREON ARE THE ILLINOIS STATE PLANE COORDINATE SYSTEM, EAST ZONE, NORTH AMERICAN DATUM OF 1983 (1997 ADJUSTMENT) "GRID".
- ALL MEASURED AND CALCULATED DISTANCES ARE "GRID" NOT "GROUND". TO OBTAIN GROUND DISTANCES, DIVIDE GRID DISTANCES BY THE COMBINED SCALE FACTOR OF 0.99997509.
- AREAS SHOWN ON THIS PLAT A "GROUND".



LEGEND

- SECTION CORNER
- QUARTER SECTION CORNER
- SECTION / QUARTER SECTION LINE
- PLATTED LOT LINES
- PROPERTY (DEED) LINE
- APPARENT PROPERTY LINE
- EXISTING CENTERLINE
- PROPOSED CENTERLINE
- EXISTING RIGHT OF WAY LINE
- PROPOSED RIGHT OF WAY LINE
- EXISTING EASEMENT
- PROPOSED EASEMENT
- EXISTING ACCESS CONTROL LINE
- PROPOSED ACCESS CONTROL LINE
- MEASURED DIMENSION
- COMPUTED DIMENSION
- RECORDED DIMENSION
- EXISTING BUILDING

- IRON PIPE OR ROD FOUND
- 'MAG' NAIL SET
- CUT CROSS FOUND OR SET
- 5 / 8" REBAR SET
- STAKING OF PROPOSED RIGHT OF WAY, SET DIVISION OF HIGHWAYS SURVEY MARKER TO MONUMENT THE POSITION SHOWN, IDENTIFIED BY INSCRIPTION DATA AND SURVEYORS REGISTRATION NUMBER.
- STAKING OF PROPOSED RIGHT OF WAY IN CULTIVATED AREAS, BURIED 5/8 INCH METAL ROD 20 INCHES BELOW GROUND TO MARK FUTURE SURVEY MARKER POSITION IDENTIFIED BY COLORED PLASTIC CAP BEARING SURVEYORS REGISTRATION NUMBER.
- RIGHT OF WAY STAKING PROPOSED TO BE SET

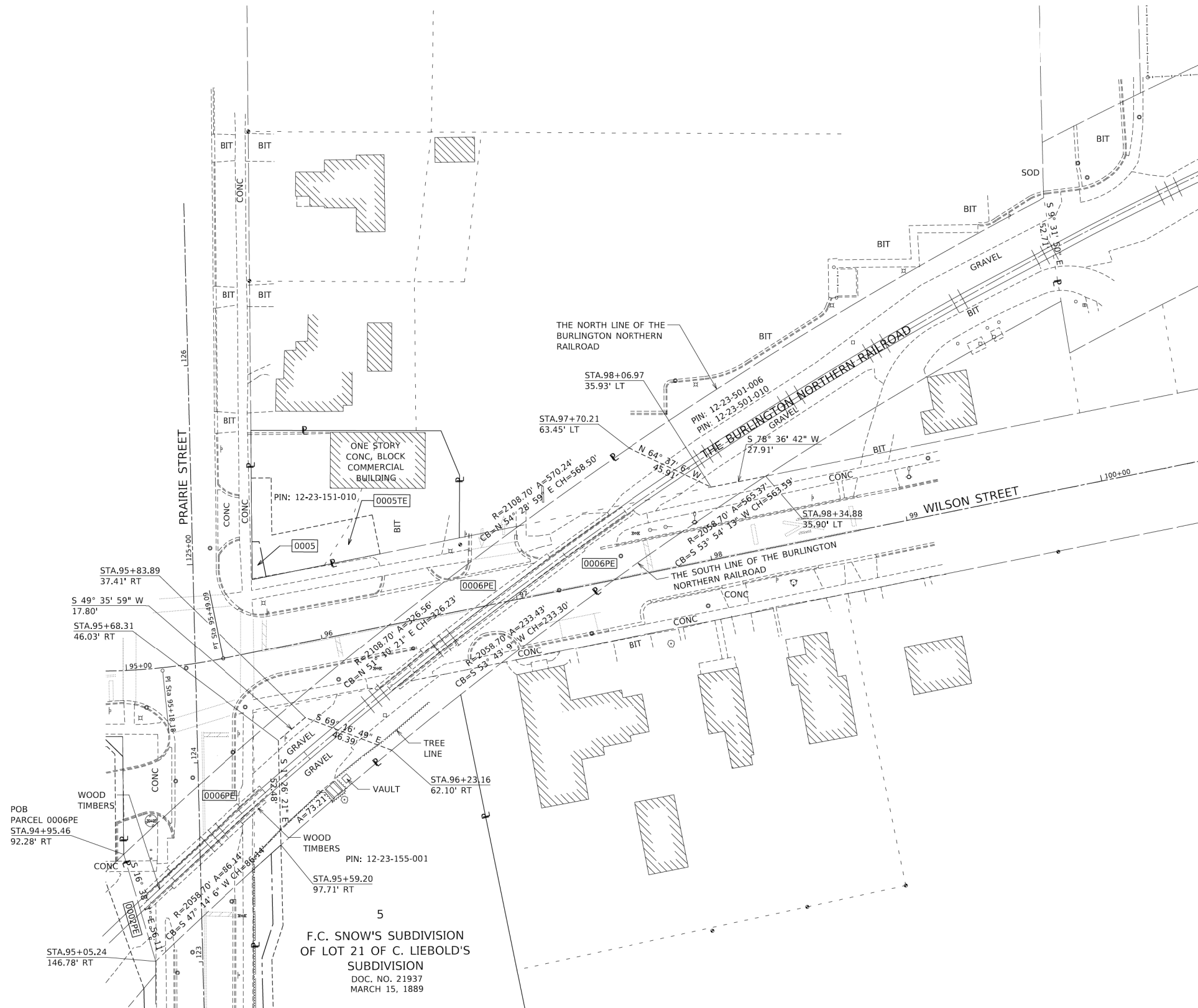
STATE OF ILLINOIS)
)SS
COUNTY OF KANE)

THIS IS TO CERTIFY THAT I, DANIEL WALTER, AN ILLINOIS PROFESSIONAL LAND SURVEYOR, (WE, COMPASS SURVEYING, LTD. AN ILLINOIS PROFESSIONAL DESIGN FIRM LAND SURVEYING CORPORATION, NUMBER 184-002778,) HAVE SURVEYED THE PLAT OF HIGHWAYS SHOWN HEREON IN SECTION 9, TOWNSHIP 45 NORTH, RANGE 9 EAST OF THE THIRD PRINCIPAL MERIDIAN, LAKE COUNTY, THAT THE SURVEY IS TRUE AND COMPLETE AS SHOWN TO THE BEST OF MY KNOWLEDGE AND BELIEF, THAT THE PLAT CORRECTLY REPRESENTS SAID SURVEY, THAT ALL MONUMENTS FOUND AND ESTABLISHED ARE OF PERMANENT QUALITY AND OCCUPY THE POSITIONS SHOWN THEREON AND THAT THE MONUMENTS ARE SUFFICIENT TO ENABLE THE SURVEY TO BE RETRACED, MADE FOR THE DEPARTMENT OF TRANSPORTATION, STATE OF ILLINOIS.

DATED AT AURORA, ILLINOIS THIS 29TH DAY OF DECEMBER 2021 A.D.

ILLINOIS PROFESSIONAL LAND SURVEYOR NO. 3585
EXPIRES NOVEMBER 30, 2024
COMPASS SURVEYING, LTD
ILLINOIS PROFESSIONAL DESIGN FIRM LAND SURVEYING CORPORATION NUMBER 184-002778
LICENSE EXPIRATION DATE: APRIL 30, 2023

THIS PROFESSIONAL SERVICE CONFORMS TO THE CURRENT ILLINOIS MINIMUM STANDARDS FOR A BOUNDARY SURVEY.



TRANSYSTEMS
 1475 EAST WOODFIELD ROAD, SUITE 600
 SCHAUMBURG, ILLINOIS 60173
 (847) 605-9600

FILE NAME = sht:plat-01.dgn	USER NAME = sbpottorff	DESIGNED - SBP	REVISED -
Default	PLOT SCALE = 2,000' / in.	DRAWN - BMS	REVISED -
	PLOT DATE = 2/15/2023	CHECKED - JLV	REVISED -
		DATE - 2/15/2023	REVISED -

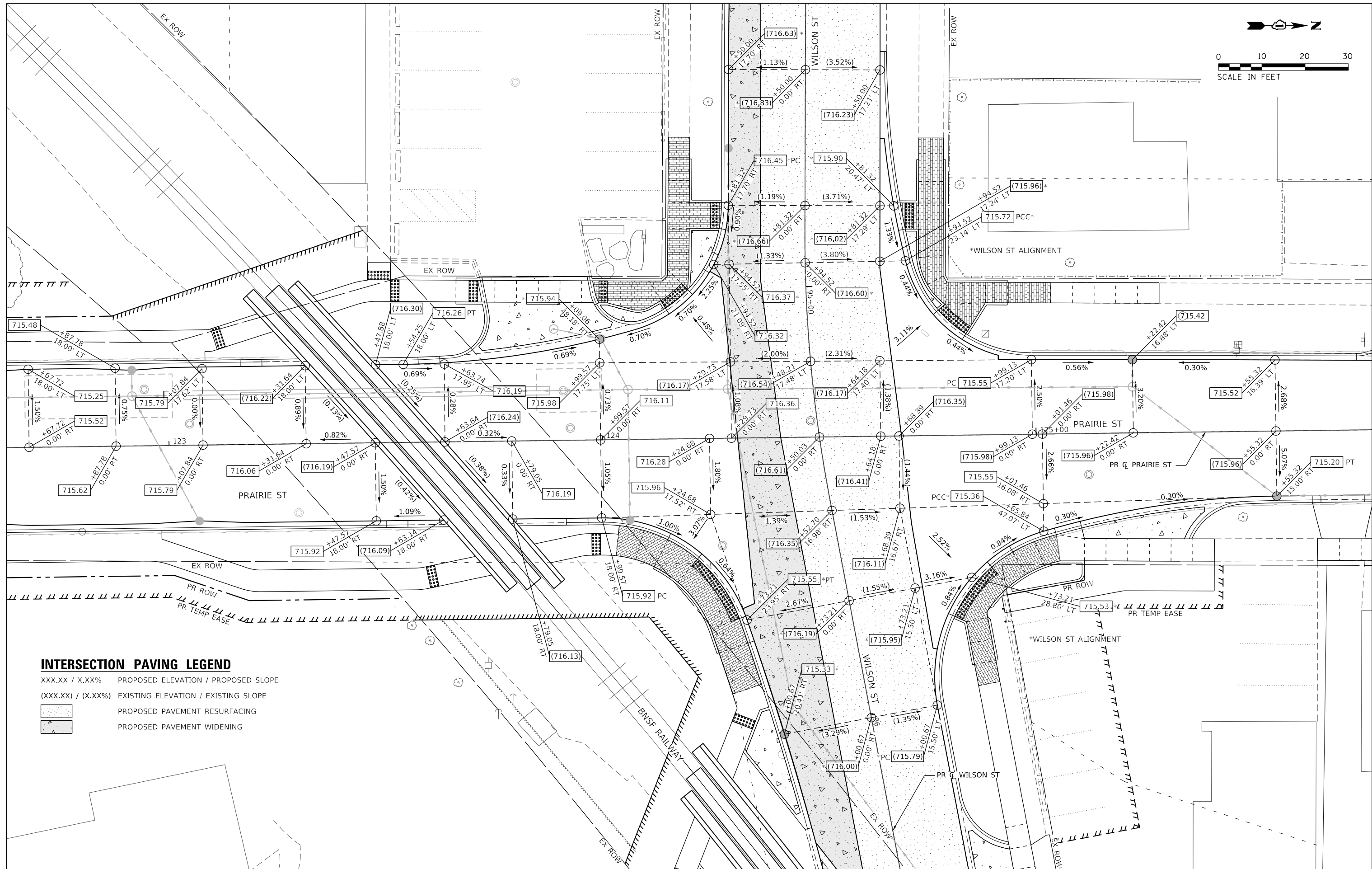
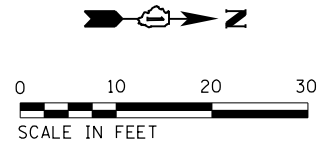
STATE OF ILLINOIS
DEPARTMENT OF TRANSPORTATION

PRAIRIE STREET AT WILSON STREET INTERSECTION IMPROVEMENTS
PLAT OF HIGHWAYS

SCALE: 1" = 20' SHEET 4 OF 4 SHEETS STA. TO STA.

F.A.U. RTE.	SECTION	COUNTY	TOTAL SHEETS	SHEET NO.
2511	16-00086-01-FP	KANE	169	72
				CONTRACT NO. 61J35
		ILLINOIS	FED. AID PROJECT	

COMPASS SURVEYING LTD
 2631 Ginger Woods Parkway,
 Suite 100 Aurora IL 60502
 PHONE: (630)820-9100
 FAX: (630)820-7030



INTERSECTION PAVING LEGEND

- XXX.XX / X.XX% PROPOSED ELEVATION / PROPOSED SLOPE
- (XXX.XX) / (X.XX%) EXISTING ELEVATION / EXISTING SLOPE
- PROPOSED PAVEMENT RESURFACING
- PROPOSED PAVEMENT WIDENING

TRANSYSTEMS
 1475 EAST WOODFIELD ROAD, SUITE 600
 SCHAUMBURG, ILLINOIS 60173
 (847) 605-9600

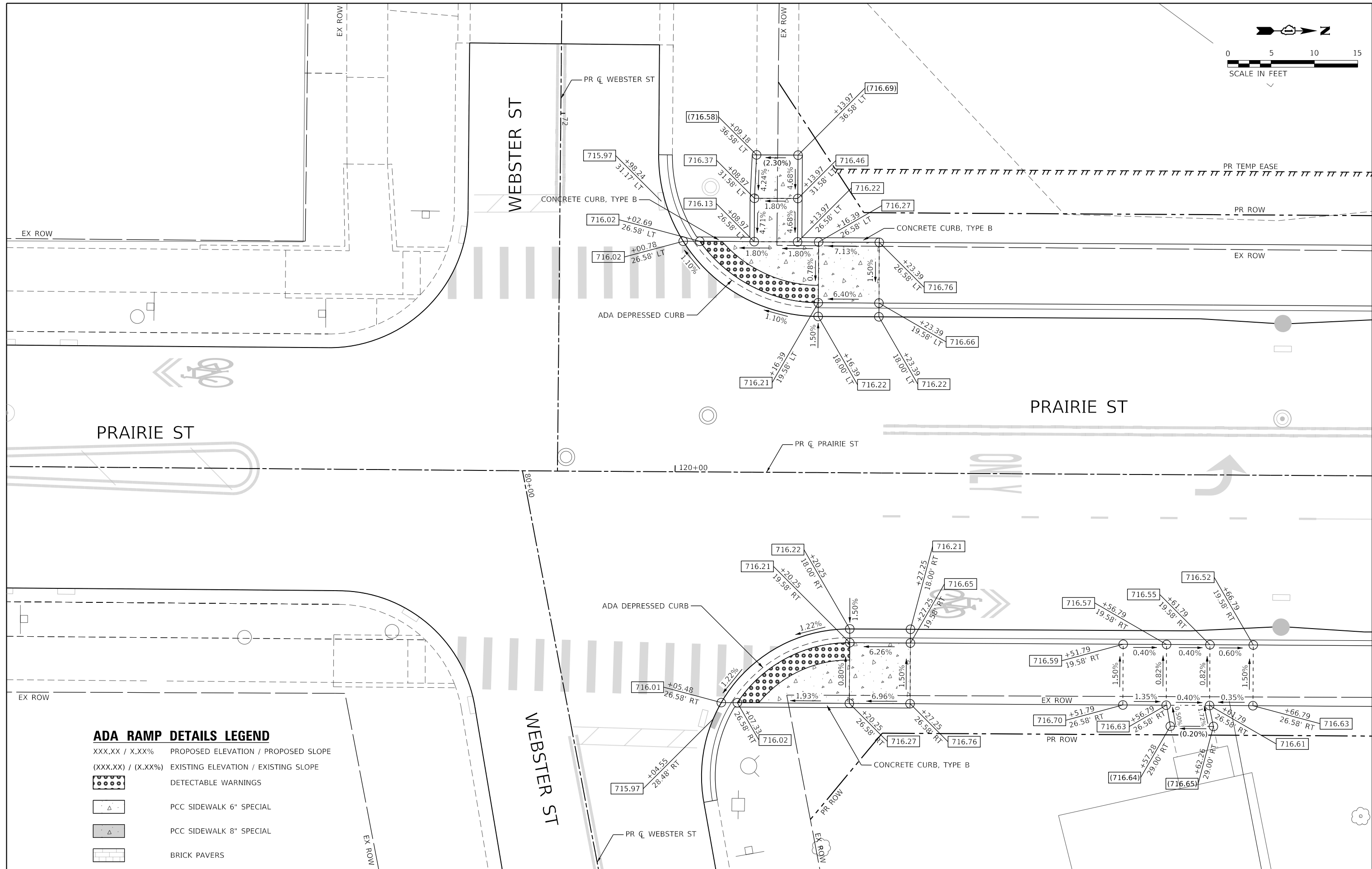
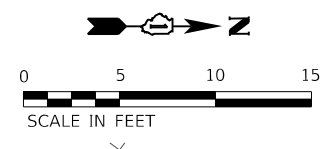
FILE NAME = sht:intersection-06.dgn	USER NAME = sbpottorff	DESIGNED - SBP	REVISED -
Default		DRAWN - BMS	REVISED -
	PLOT SCALE = 20.0000" / in.	CHECKED - JLV	REVISED -
	PLOT DATE = 2/15/2023	DATE - 2/15/2023	REVISED -

STATE OF ILLINOIS
DEPARTMENT OF TRANSPORTATION

PRAIRIE STREET AT WILSON STREET INTERSECTION IMPROVEMENTS
INTERSECTION GRADING PLAN

SCALE: 1"=10' SHEET 1 OF 1 SHEETS STA. NA TO STA. NA

F.A.U. RTE.	SECTION	COUNTY	TOTAL SHEETS	SHEET NO.
2511	16-00086-01-FP	KANE	169	73
CONTRACT NO. 61J35				
ILLINOIS FED. AID PROJECT				



ADA RAMP DETAILS LEGEND

- XXX.XX / X.XX% PROPOSED ELEVATION / PROPOSED SLOPE
- (XXX.XX) / (X.XX%) EXISTING ELEVATION / EXISTING SLOPE
- DETECTABLE WARNINGS
- PCC SIDEWALK 6" SPECIAL
- PCC SIDEWALK 8" SPECIAL
- BRICK PAVERS

TRANSYSTEMS
 1475 EAST WOODFIELD ROAD, SUITE 600
 SCHAUMBURG, ILLINOIS 60173
 (847) 605-9600

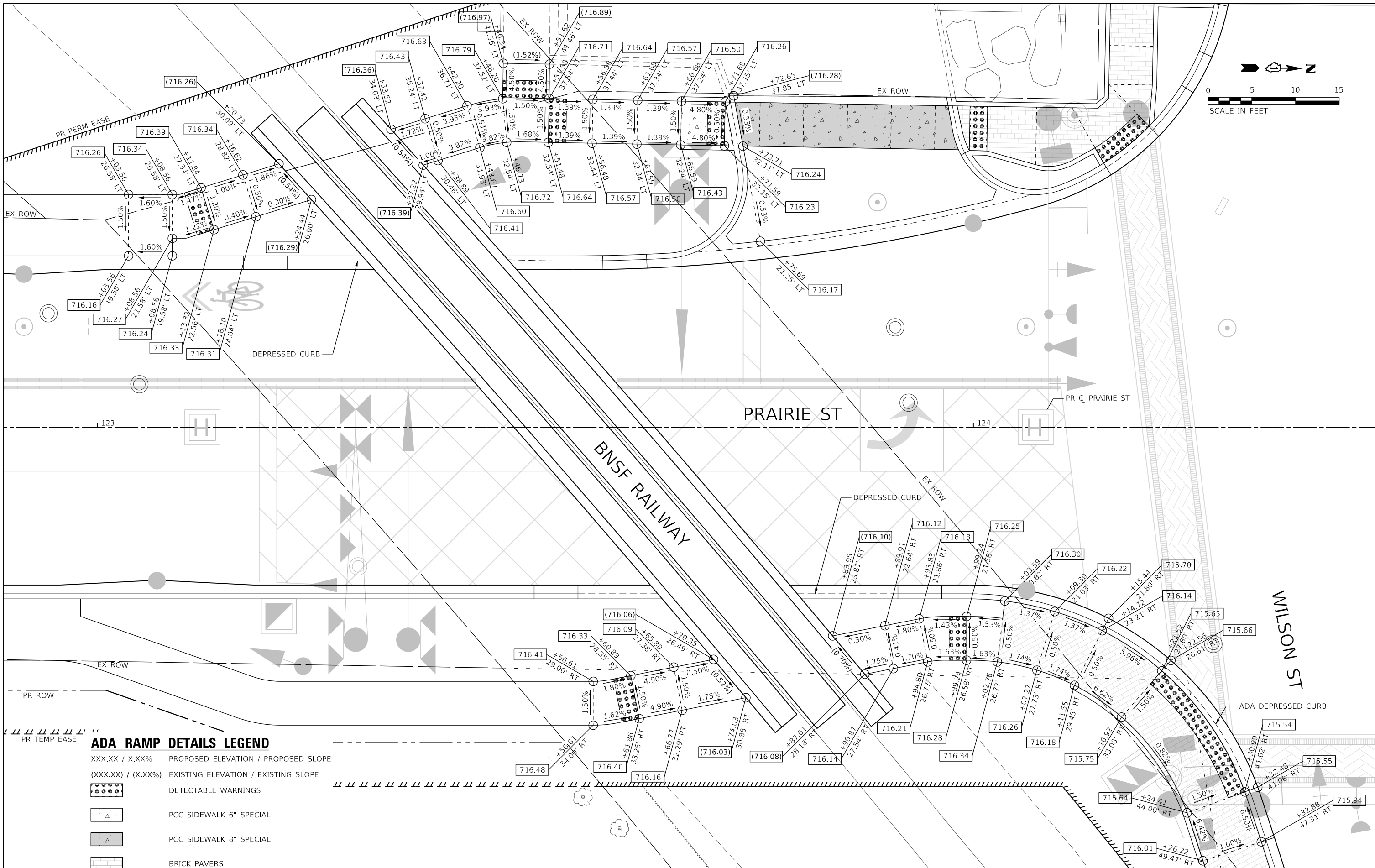
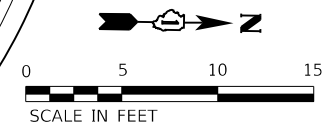
FILE NAME = sht-ADA-01.dgn	USER NAME = sbpottorff	DESIGNED - SBP	REVISED -
Default		DRAWN - BMS	REVISED -
	PLOT SCALE = 10.0000' / in.	CHECKED - JLV	REVISED -
	PLOT DATE = 2/15/2023	DATE - 2/15/2023	REVISED -

**STATE OF ILLINOIS
DEPARTMENT OF TRANSPORTATION**

**PRAIRIE STREET AT WILSON STREET INTERSECTION IMPROVEMENTS
ADA DETAILS**

SCALE: 1"=5' SHEET 1 OF 6 SHEETS STA. NA TO STA. NA

F.A.U. RTE. 2511	SECTION 16-00086-01-FP	COUNTY KANE	TOTAL SHEETS 169	SHEET NO. 74
CONTRACT NO. 61J35				
		ILLINOIS	FED. AID PROJECT	



ADA RAMP DETAILS LEGEND

- XXX.XX / X.XX% PROPOSED ELEVATION / PROPOSED SLOPE
- (XXX.XX) / (X.XX%) EXISTING ELEVATION / EXISTING SLOPE
- DETECTABLE WARNINGS
- PCC SIDEWALK 6" SPECIAL
- PCC SIDEWALK 8" SPECIAL
- BRICK PAVERS

FILE NAME =	USER NAME = sbpottorff
sht-ADA-02.dgn	
Default	

DESIGNED - SBP	REVISED -
DRAWN - BMS	REVISED -
CHECKED - JLV	REVISED -
DATE - 2/15/2023	REVISED -

DESIGNED - SBP	REVISED -
DRAWN - BMS	REVISED -
CHECKED - JLV	REVISED -
DATE - 2/15/2023	REVISED -


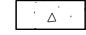

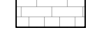
**STATE OF ILLINOIS
 DEPARTMENT OF TRANSPORTATION**

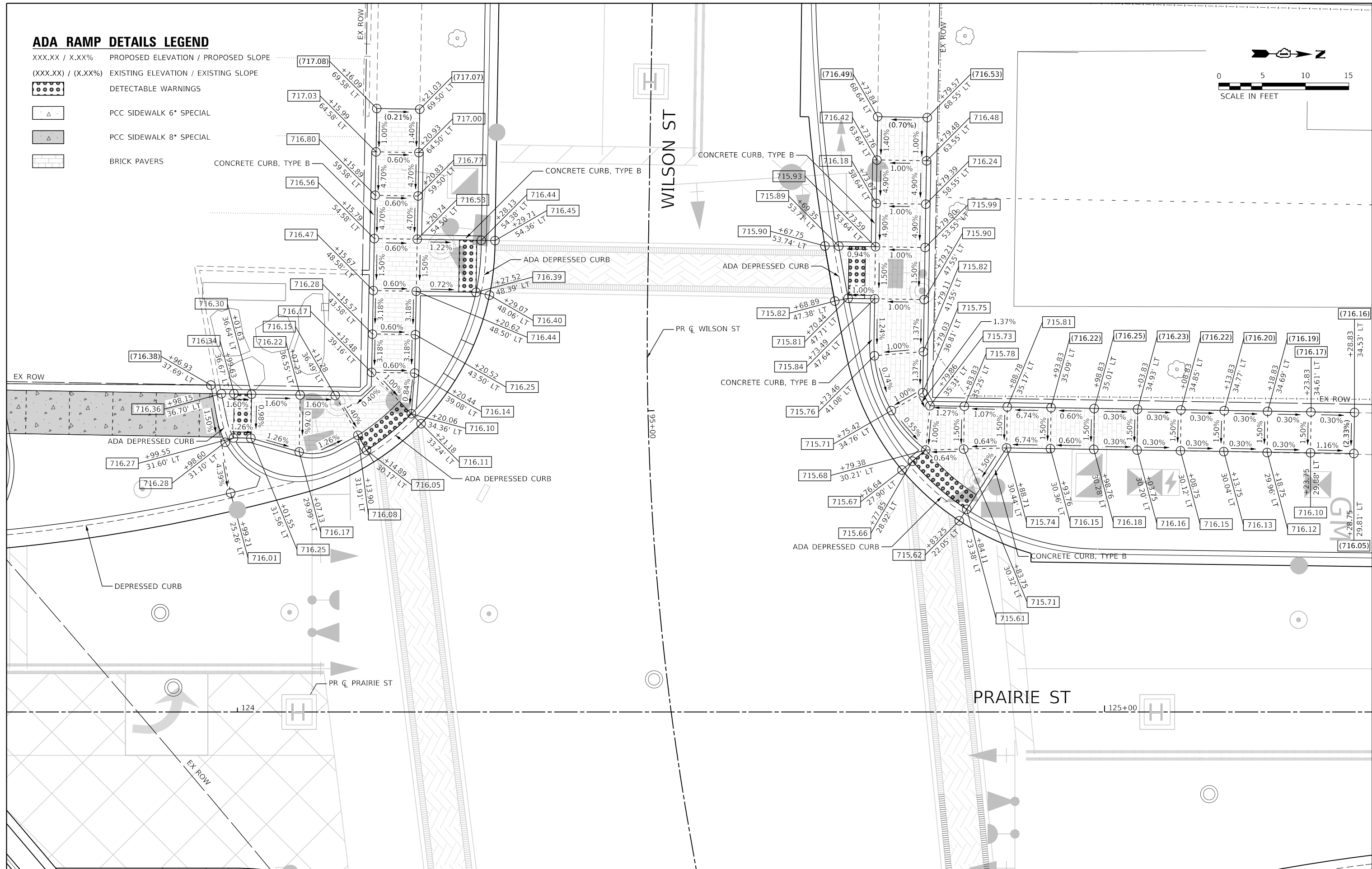
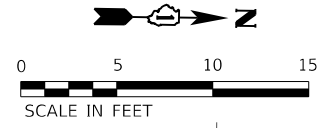
**PRAIRIE STREET AT WILSON STREET INTERSECTION IMPROVEMENTS
 ADA DETAILS**

SCALE: 1"=5'	SHEET 2 OF 6 SHEETS	STA. NA	TO STA. NA
--------------	---------------------	---------	------------

F.A.U. RTE.	SECTION	COUNTY	TOTAL SHEETS	SHEET NO.
2511	16-00086-01-FP	KANE	169	75
CONTRACT NO. 61J35				
ILLINOIS FED. AID PROJECT				

ADA RAMP DETAILS LEGEND

- XXX.XX / X.XX% PROPOSED ELEVATION / PROPOSED SLOPE
- (XXX.XX) / (X.XX%) EXISTING ELEVATION / EXISTING SLOPE
-  DETECTABLE WARNINGS
-  PCC SIDEWALK 6" SPECIAL
-  PCC SIDEWALK 8" SPECIAL
-  BRICK PAVERS



TRANSYSTEMS
 1475 EAST WOODFIELD ROAD, SUITE 600
 SCHAUMBURG, ILLINOIS 60173
 (847) 605-9600

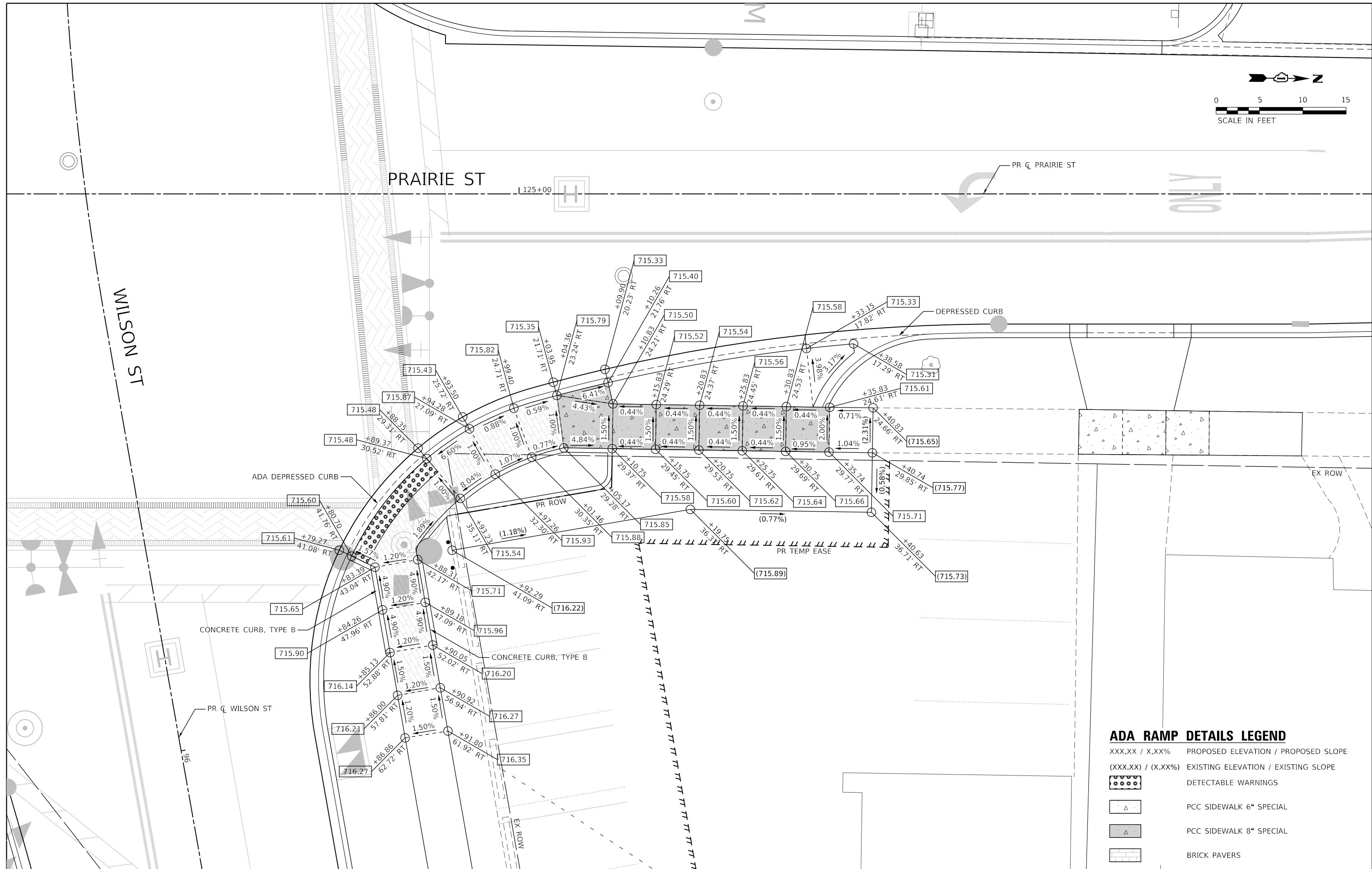
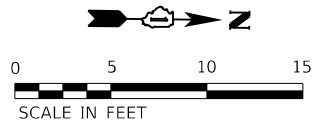
FILE NAME = sht-ADA-03.dgn	USER NAME = sbpottorff	DESIGNED - SBP	REVISED -
Default	PLOT SCALE = 10.0000' / in.	DRAWN - BMS	REVISED -
	PLOT DATE = 2/15/2023	CHECKED - JLV	REVISED -
		DATE - 2/15/2023	REVISED -

**STATE OF ILLINOIS
 DEPARTMENT OF TRANSPORTATION**

**PRAIRIE STREET AT WILSON STREET INTERSECTION IMPROVEMENTS
 ADA DETAILS**

SCALE: 1"=5' SHEET 3 OF 6 SHEETS STA. NA TO STA. NA

F.A.U. RTE. 2511	SECTION 16-00086-01-FP	COUNTY KANE	TOTAL SHEETS 169	SHEET NO. 76
CONTRACT NO. 61J35				
ILLINOIS FED. AID PROJECT				



ADA RAMP DETAILS LEGEND

XXX.XX / X.XX%	PROPOSED ELEVATION / PROPOSED SLOPE
(XXX.XX) / (X.XX%)	EXISTING ELEVATION / EXISTING SLOPE
	DETECTABLE WARNINGS
	PCC SIDEWALK 6" SPECIAL
	PCC SIDEWALK 8" SPECIAL
	BRICK PAVERS

TRANSYSTEMS
 1475 EAST WOODFIELD ROAD, SUITE 600
 SCHAUMBURG, ILLINOIS 60173
 (847) 605-9600

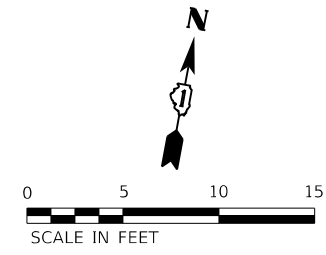
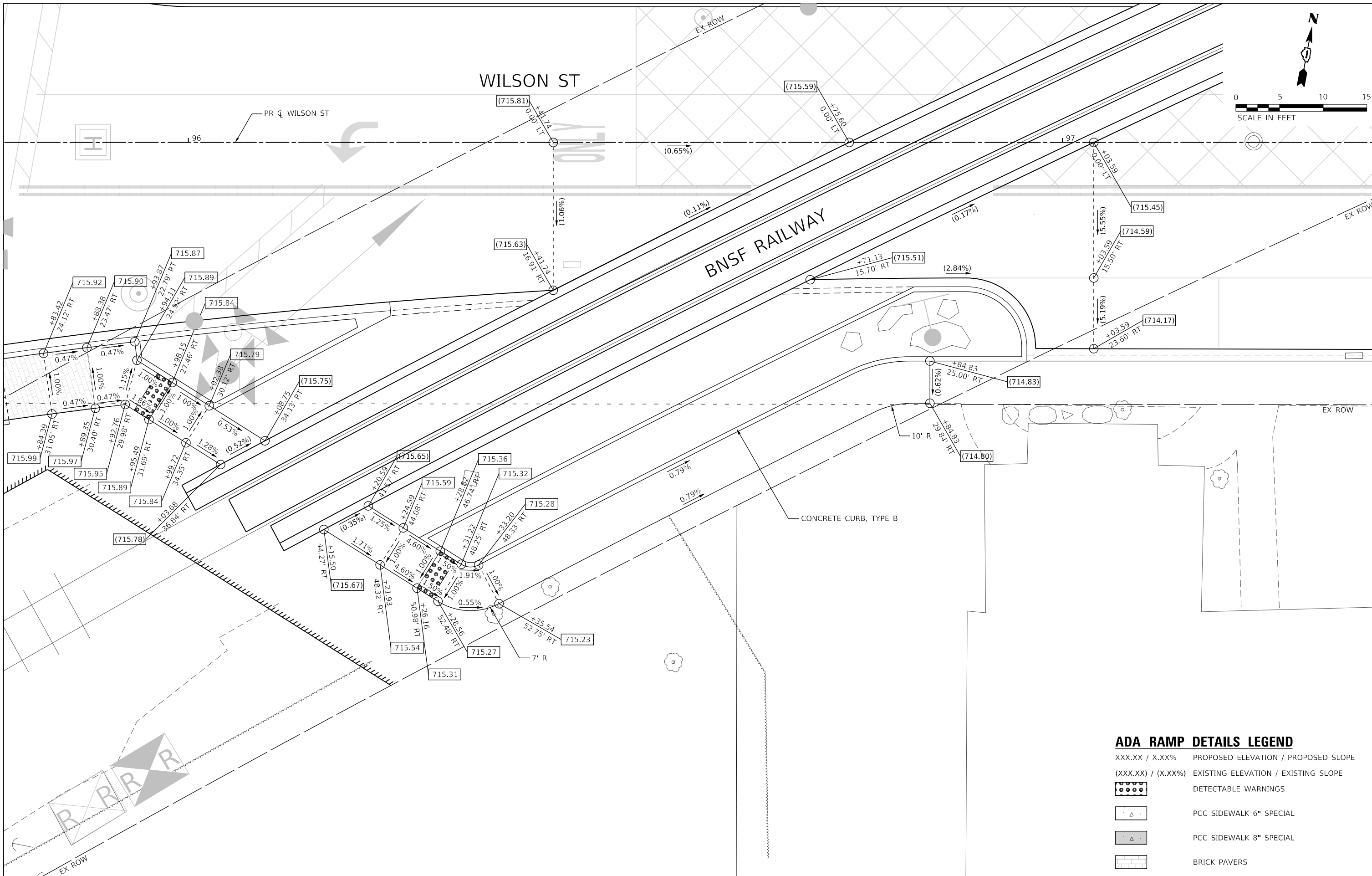
FILE NAME = sht-ADA-04.dgn	USER NAME = sbpottorff	DESIGNED - SBP	REVISED -
Default		DRAWN - BMS	REVISED -
	PLOT SCALE = 10.0000' / in.	CHECKED - JLV	REVISED -
	PLOT DATE = 2/15/2023	DATE - 2/15/2023	REVISED -

**STATE OF ILLINOIS
 DEPARTMENT OF TRANSPORTATION**

**PRAIRIE STREET AT WILSON STREET INTERSECTION IMPROVEMENTS
 ADA DETAILS**

SCALE: 1"=5' SHEET 4 OF 6 SHEETS STA. NA TO STA. NA

F.A.U. RTE.	SECTION	COUNTY	TOTAL SHEETS	SHEET NO.
2511	16-00086-01-FP	KANE	169	77
ILLINOIS FED. AID PROJECT			CONTRACT NO. 61J35	



ADA RAMP DETAILS LEGEND

XXX.XX / X.XX%	PROPOSED ELEVATION / PROPOSED SLOPE
(XXX.XX) / (X.XX%)	EXISTING ELEVATION / EXISTING SLOPE
	DETECTABLE WARNINGS
	PCC SIDEWALK 6" SPECIAL
	PCC SIDEWALK 8" SPECIAL
	BRICK PAVERS

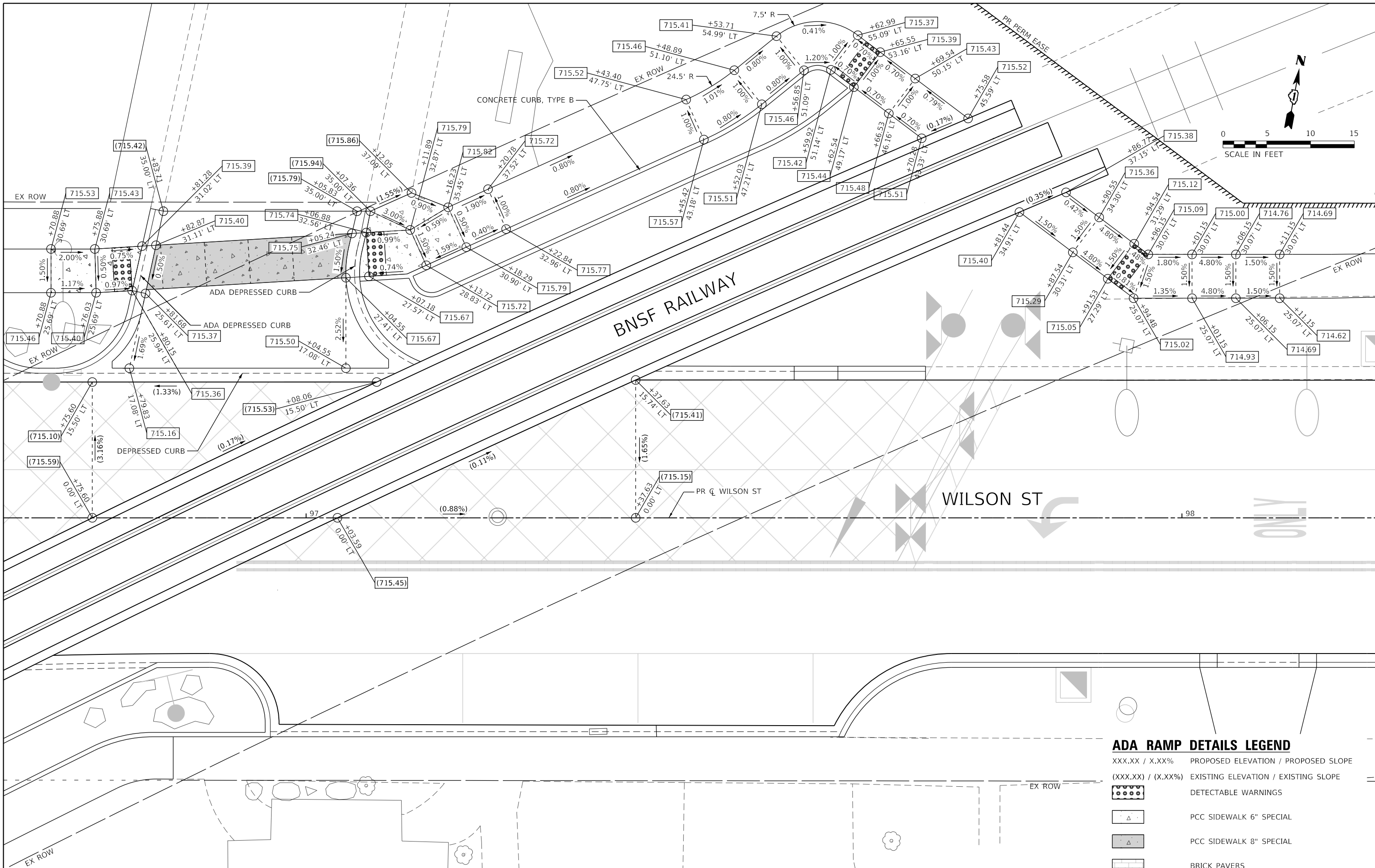
FILE NAME = sht-ADA-05.dgn	USER NAME = sbpottorff	DESIGNED - SBP	REVISED -
Default		DRAWN - BMS	REVISED -
		CHECKED - JLV	REVISED -
		DATE - 2/15/2023	REVISED -

**STATE OF ILLINOIS
 DEPARTMENT OF TRANSPORTATION**

**PRAIRIE STREET AT WILSON STREET INTERSECTION IMPROVEMENTS
 ADA DETAILS**

F.A.U. RTE. 2511	SECTION 16-00086-01-FP	COUNTY KANE	TOTAL SHEETS 169	SHEET NO. 78
CONTRACT NO. 61J35				
		ILLINOIS	FED. AID PROJECT	

SCALE: 1"=5' SHEET 5 OF 6 SHEETS STA. NA TO STA. NA



ADA RAMP DETAILS LEGEND

XXX.XX / X.XX%	PROPOSED ELEVATION / PROPOSED SLOPE
(XXX.XX) / (X.XX%)	EXISTING ELEVATION / EXISTING SLOPE
	DETECTABLE WARNINGS
	PCC SIDEWALK 6" SPECIAL
	PCC SIDEWALK 8" SPECIAL
	BRICK PAVERS

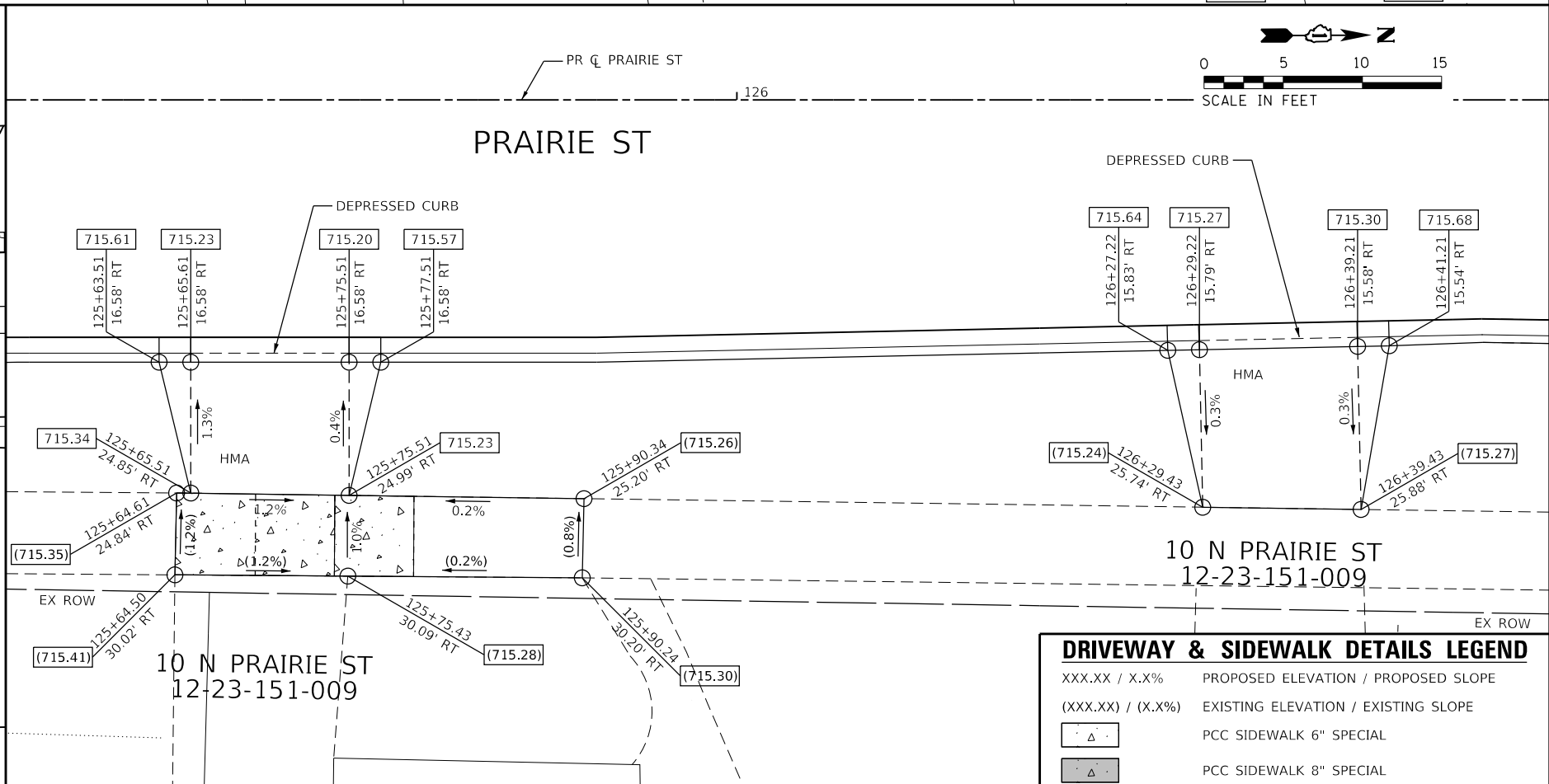
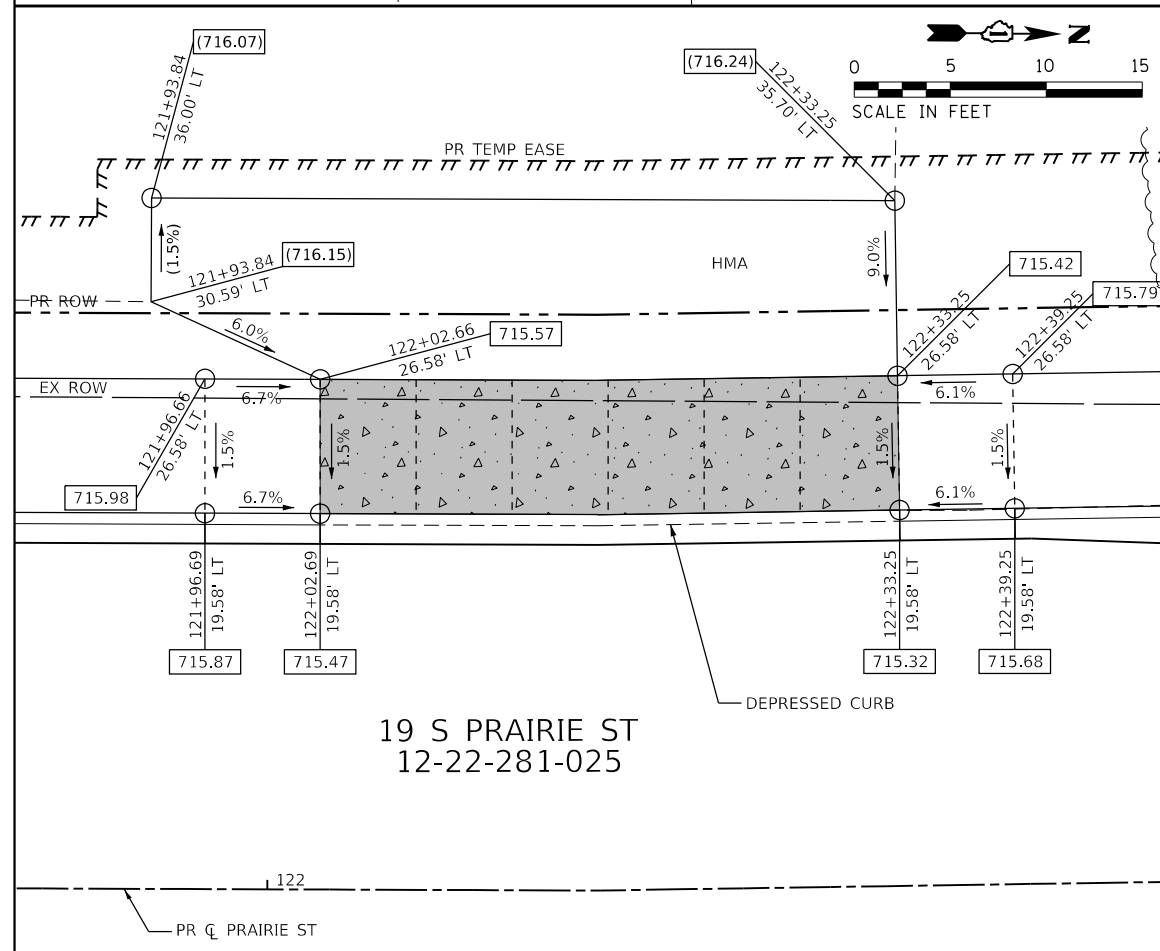
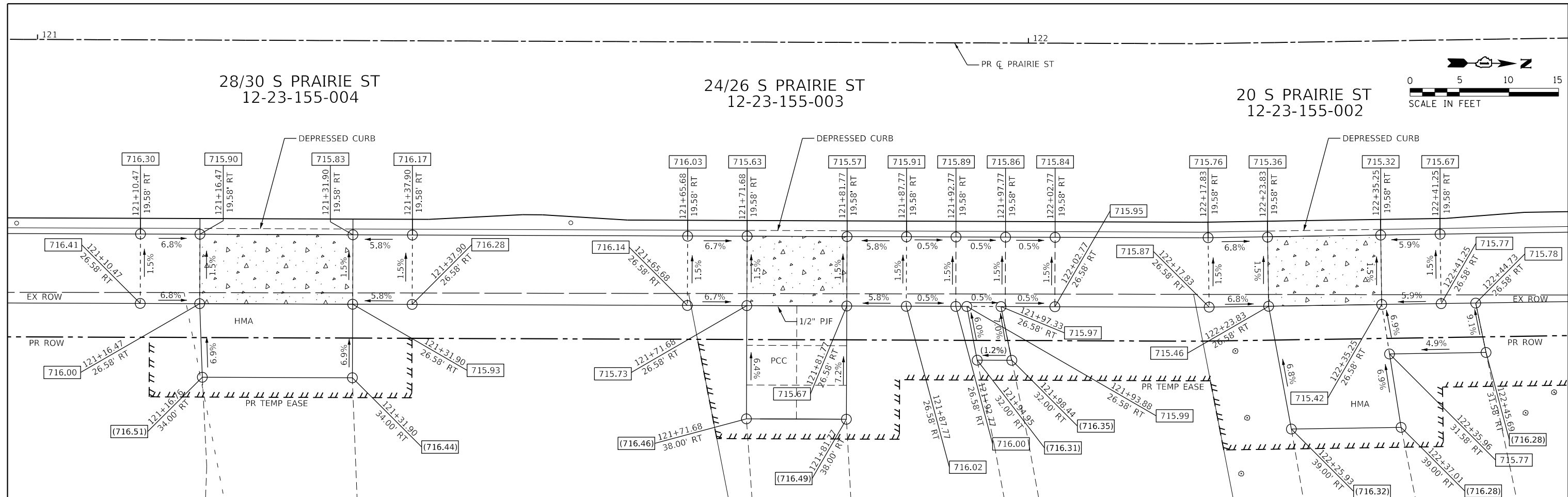
FILE NAME = sht-ADA-06.dgn	USER NAME = sbpottorff	DESIGNED - SBP	REVISED -
Default		DRAWN - BMS	REVISED -
	PLOT SCALE = 10.0000" / in.	CHECKED - JLV	REVISED -
	PLOT DATE = 2/15/2023	DATE - 2/15/2023	REVISED -

**STATE OF ILLINOIS
 DEPARTMENT OF TRANSPORTATION**

**PRAIRIE STREET AT WILSON STREET INTERSECTION IMPROVEMENTS
 ADA DETAILS**

SCALE: 1"=5' SHEET 6 OF 6 SHEETS STA. NA TO STA. NA

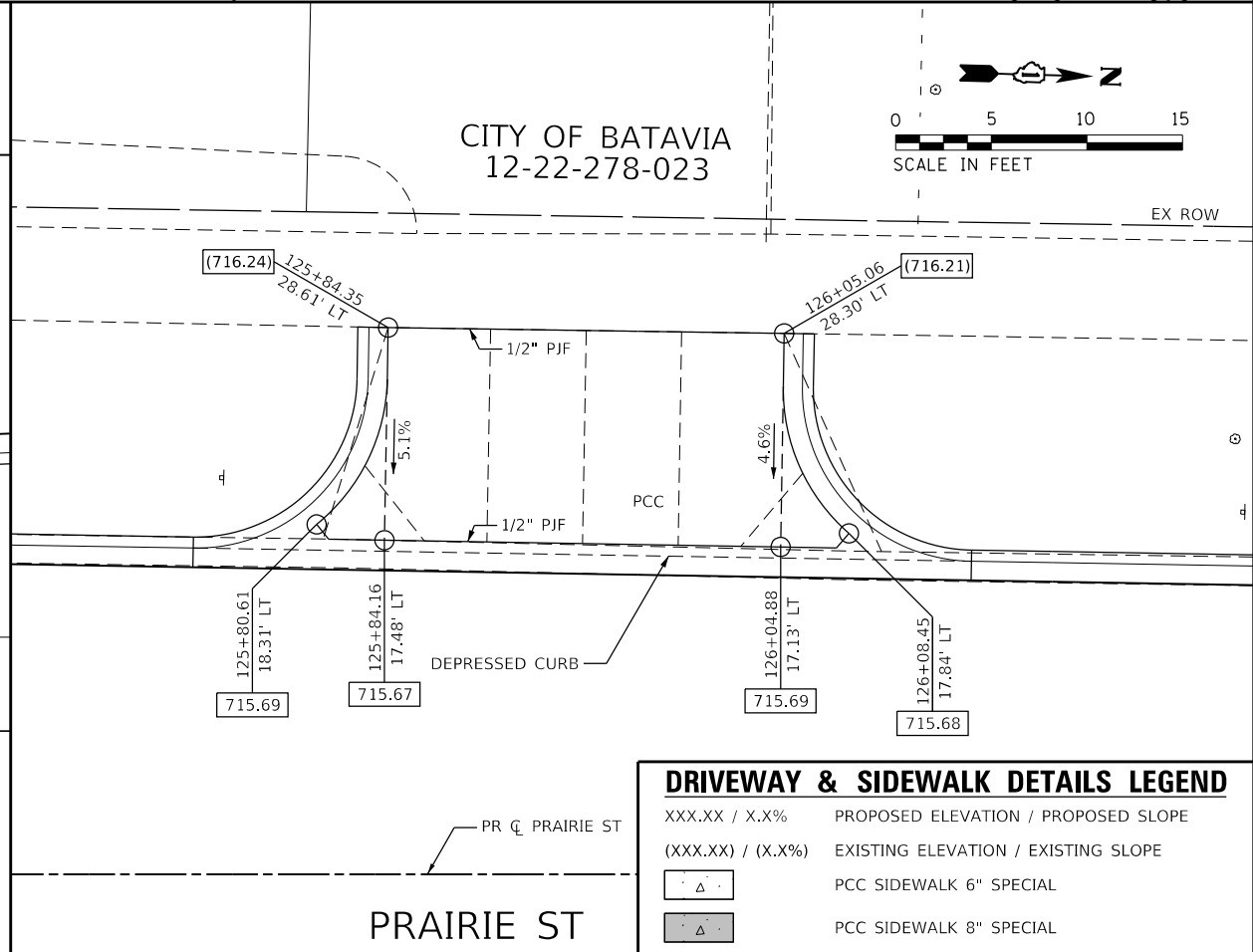
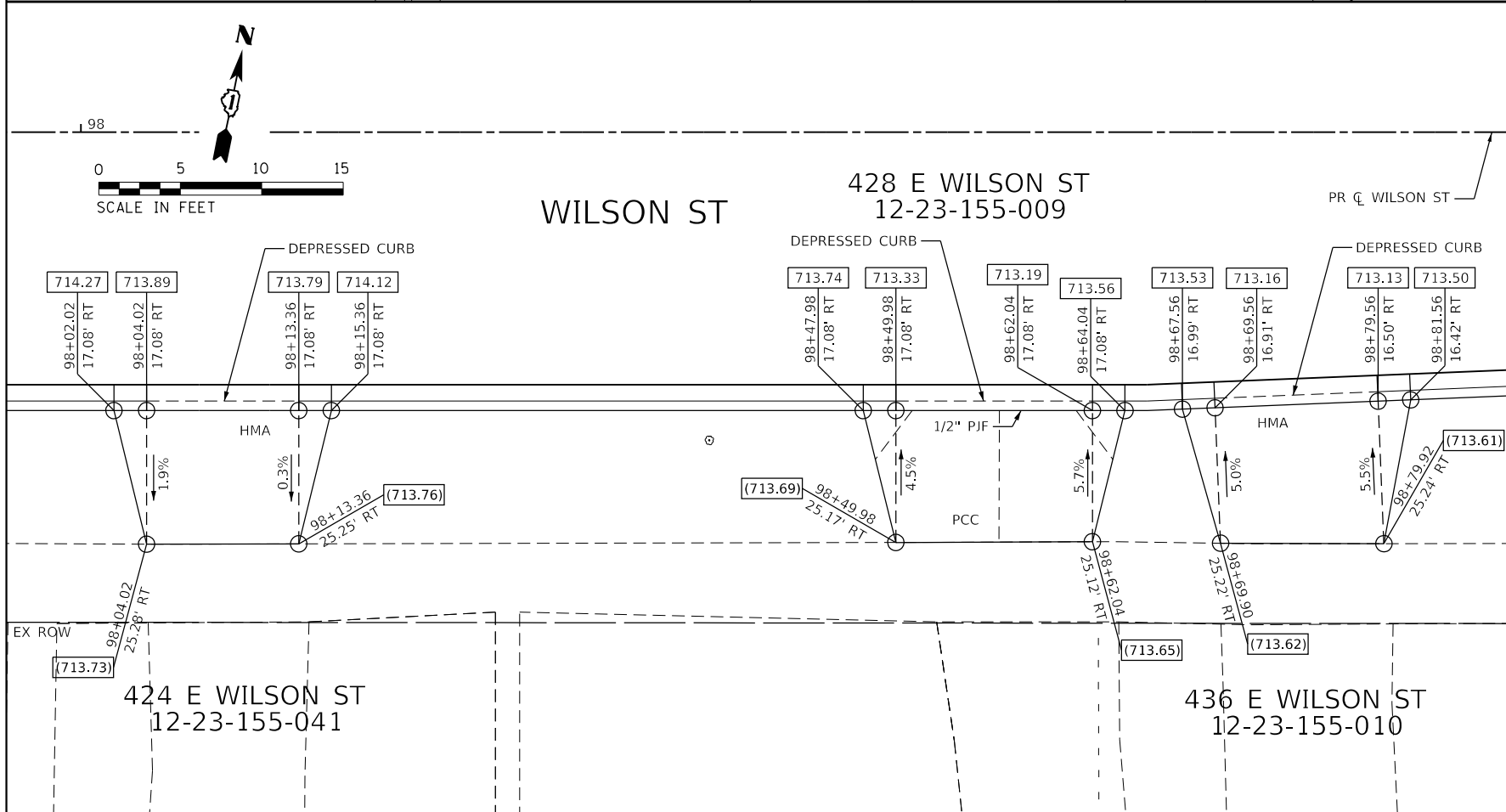
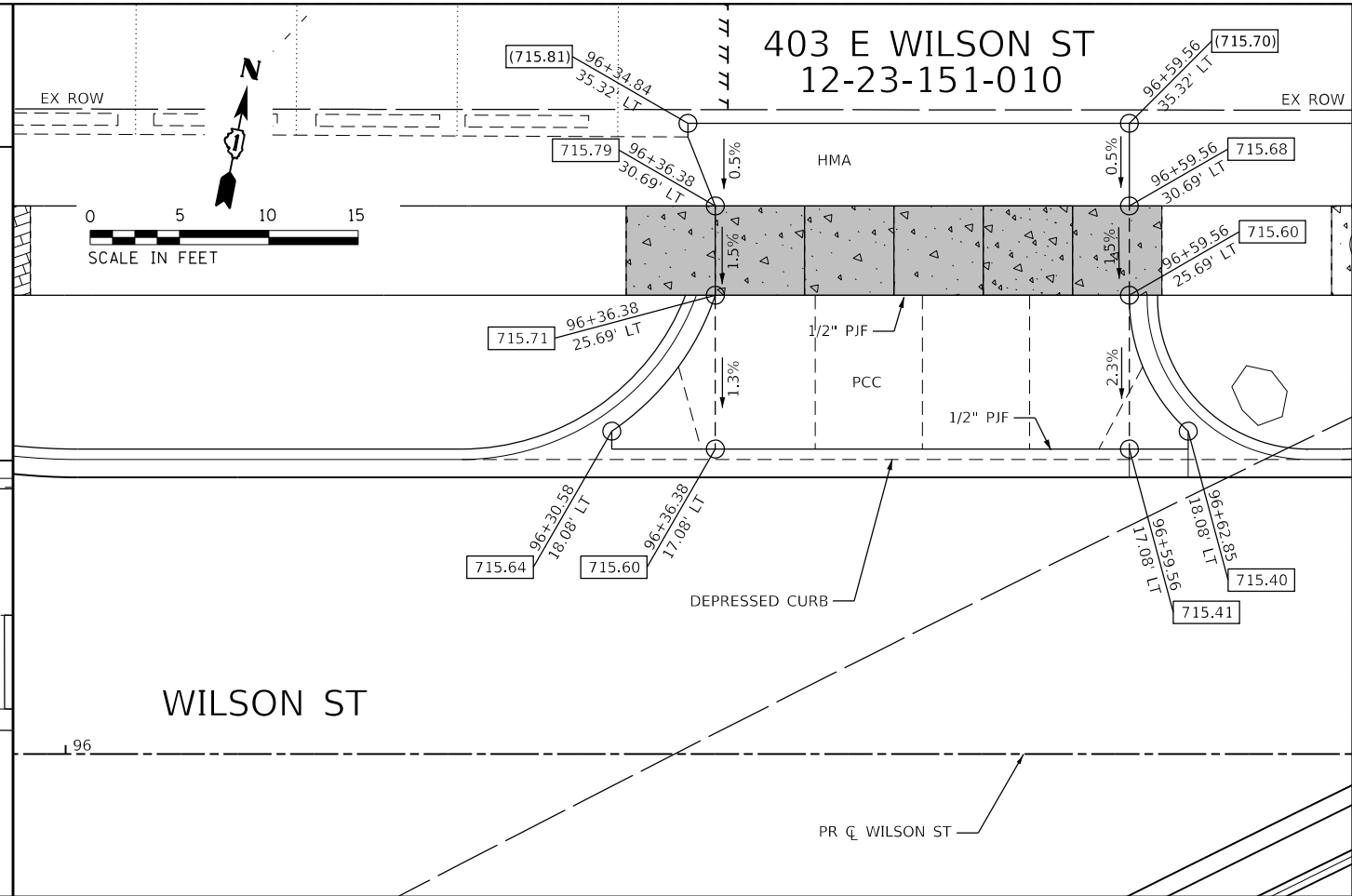
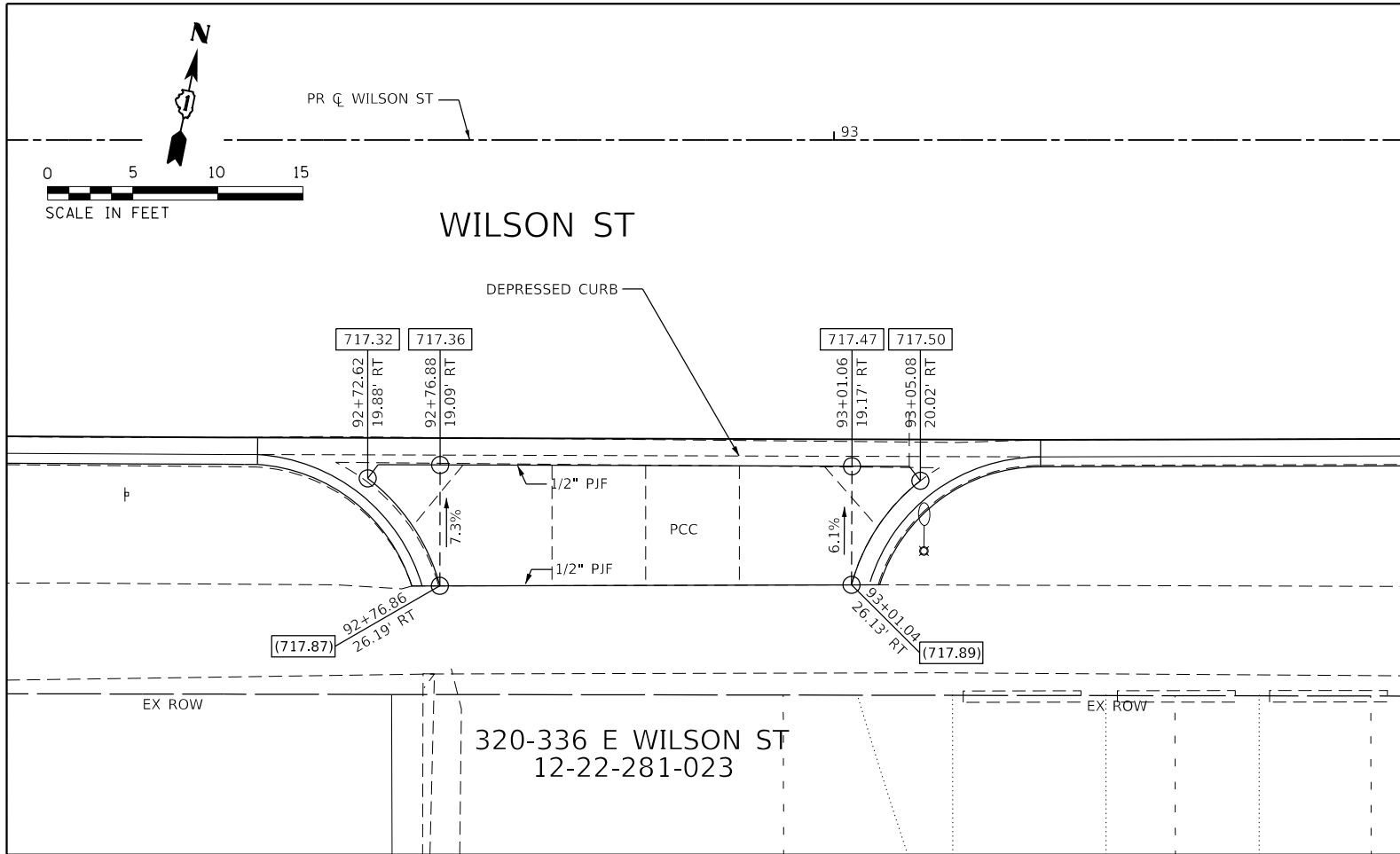
F.A.U. RTE.	SECTION	COUNTY	TOTAL SHEETS	SHEET NO.
2511	16-00086-01-FP	KANE	169	79
CONTRACT NO. 61J35				
		ILLINOIS FED. AID PROJECT		



DRIVEWAY & SIDEWALK DETAILS LEGEND	
XXX.XX / X.X%	PROPOSED ELEVATION / PROPOSED SLOPE
(XXX.XX) / (X.X%)	EXISTING ELEVATION / EXISTING SLOPE
	PCC SIDEWALK 6" SPECIAL
	PCC SIDEWALK 8" SPECIAL

FILE NAME = sht-Dr-ldveway-01.dgn	USER NAME = sbpottorff	DESIGNED - SBP	REVISED -
Default		DRAWN - BMS	REVISED -
		CHECKED - JLV	REVISED -
		DATE - 2/15/2023	REVISED -

STATE OF ILLINOIS DEPARTMENT OF TRANSPORTATION		PRAIRIE STREET AT WILSON STREET INTERSECTION IMPROVEMENTS DRIVEWAY DETAILS		F.A.U. RTE. 2511	SECTION 16-00086-01-FP	COUNTY KANE	TOTAL SHEETS 169	SHEET NO. 80
		SCALE: 1" = 5'	SHEET 1 OF 3 SHEETS	STA. NA	TO STA. NA	CONTRACT NO. 61J35		
				ILLINOIS		FED. AID PROJECT		



DRIVEWAY & SIDEWALK DETAILS LEGEND	
XXX.XX / X.X%	PROPOSED ELEVATION / PROPOSED SLOPE
(XXX.XX) / (X.X%)	EXISTING ELEVATION / EXISTING SLOPE
	PCC SIDEWALK 6" SPECIAL
	PCC SIDEWALK 8" SPECIAL

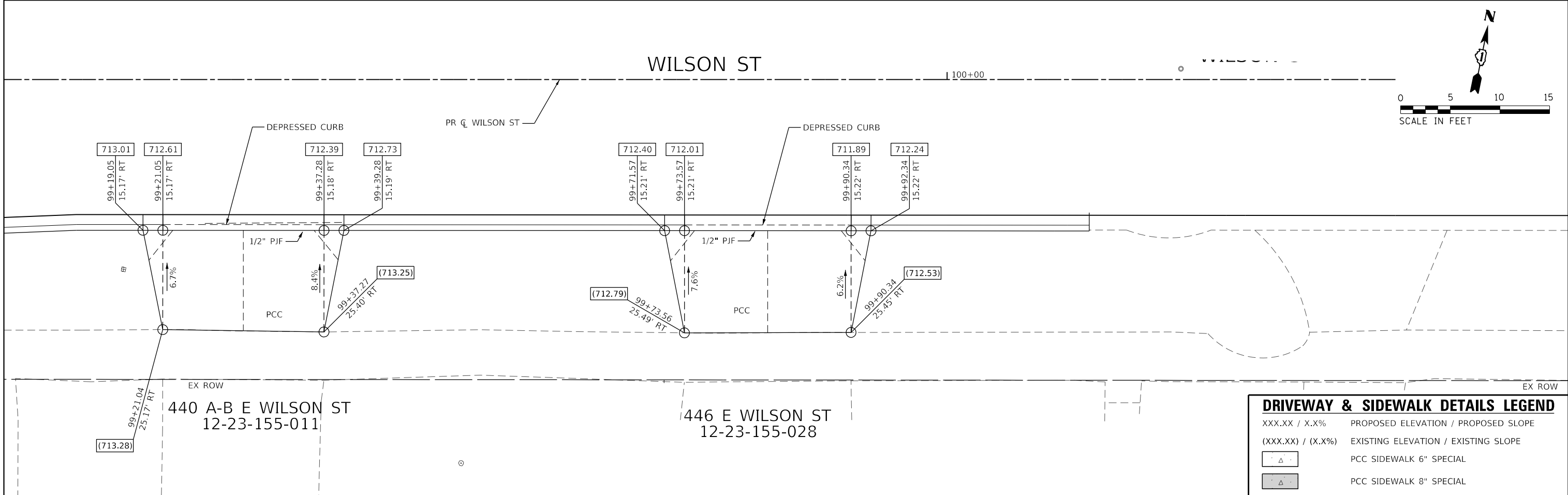
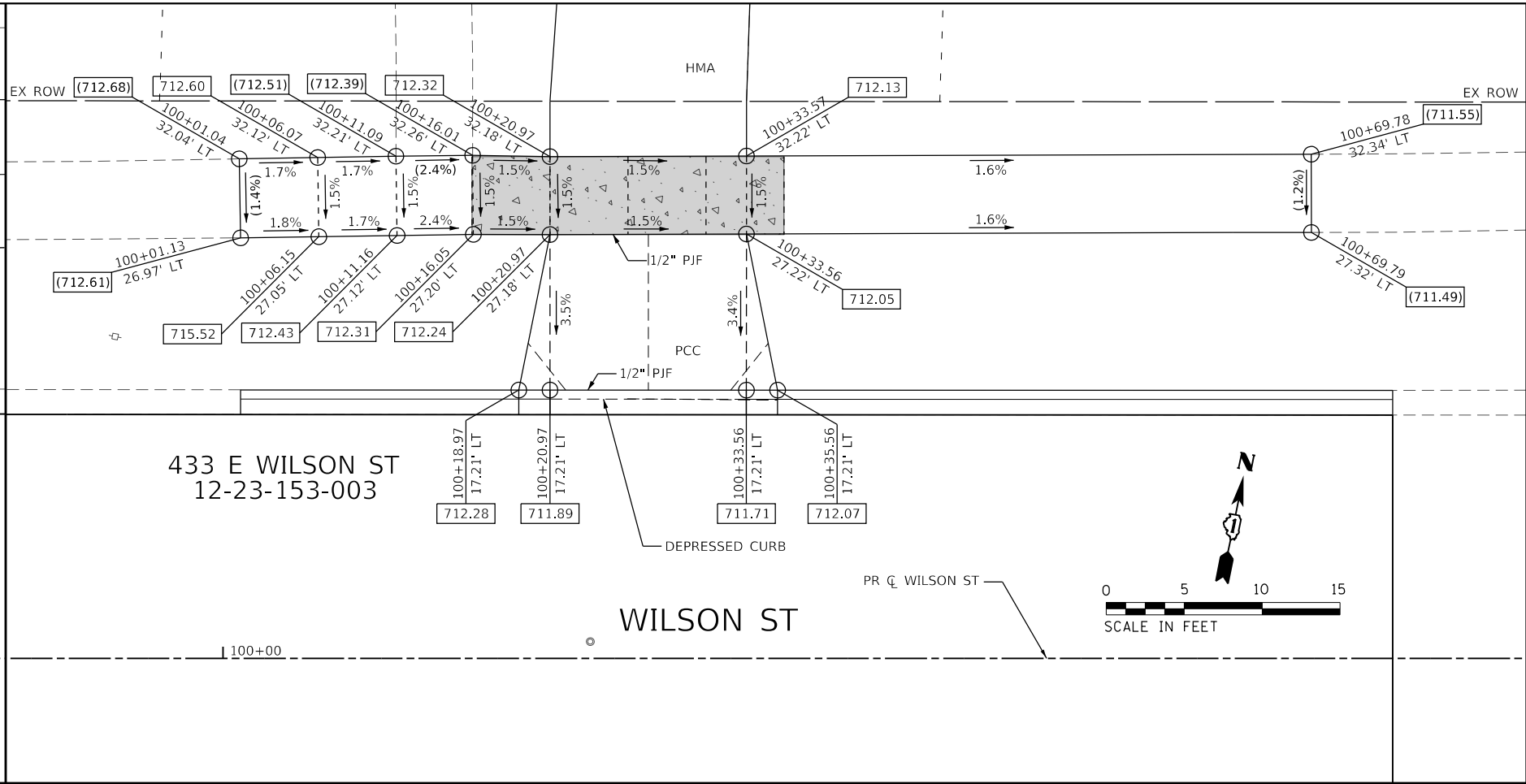
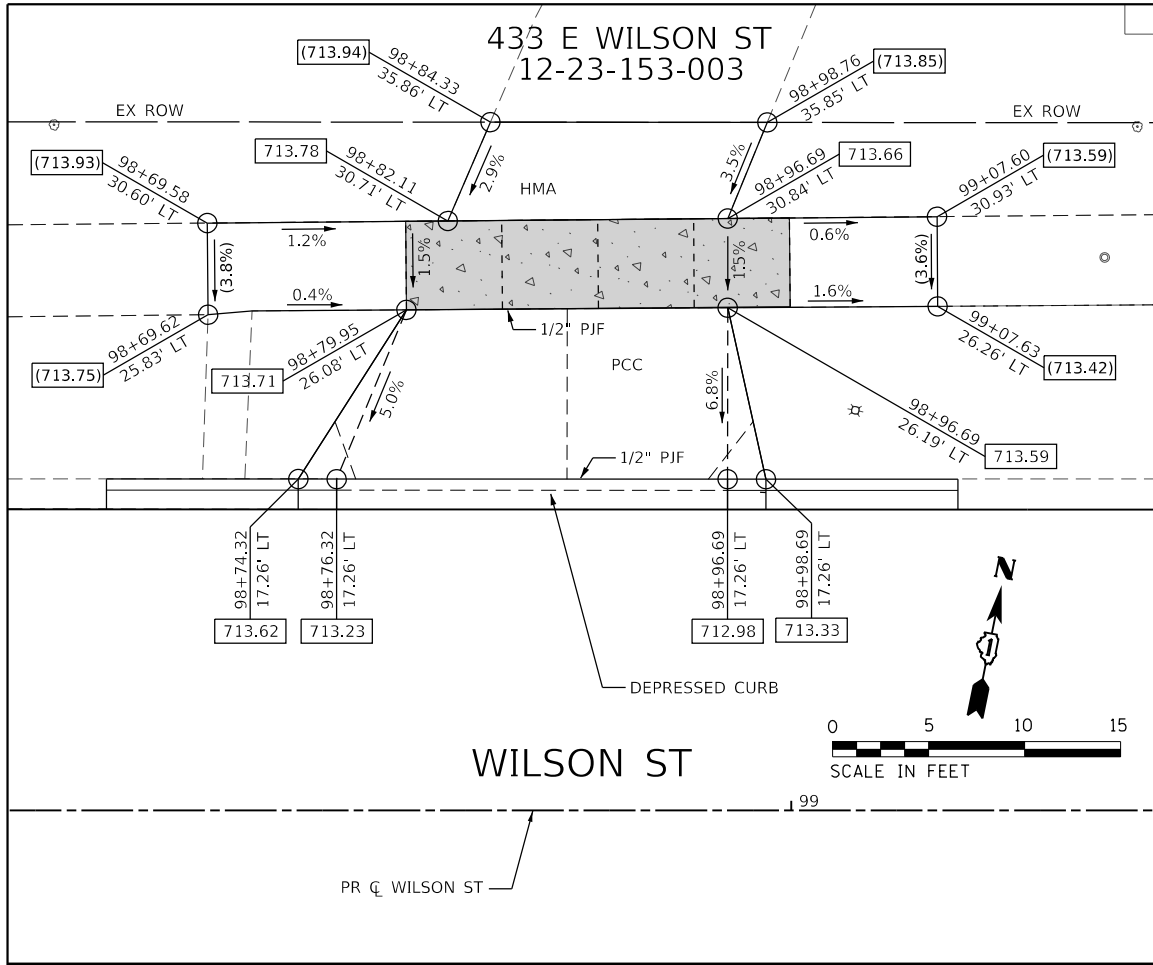
FILE NAME = sht-Driveway-02.dgn	USER NAME = sbpottorff	DESIGNED - SBP	REVISED -
Default	PLOT SCALE = 10.0000' / in.	DRAWN - BMS	REVISED -
	PLOT DATE = 2/15/2023	CHECKED - JLV	REVISED -
		DATE - 2/15/2023	REVISED -

STATE OF ILLINOIS
 DEPARTMENT OF TRANSPORTATION

PRAIRIE STREET AT WILSON STREET INTERSECTION IMPROVEMENTS
 DRIVEWAY DETAILS

SCALE: 1" = 5' SHEET 2 OF 3 SHEETS STA. NA TO STA. NA

F.A.U. RTE.	SECTION	COUNTY	TOTAL SHEETS	SHEET NO.
2511	16-00086-01-FP	KANE	169	81
CONTRACT NO. 61J35				
ILLINOIS FED. AID PROJECT				



DRIVEWAY & SIDEWALK DETAILS LEGEND

XXX.XX / X.X%	PROPOSED ELEVATION / PROPOSED SLOPE
(XXX.XX) / (X.X%)	EXISTING ELEVATION / EXISTING SLOPE
	PCC SIDEWALK 6" SPECIAL
	PCC SIDEWALK 8" SPECIAL

FILE NAME = sht-Driveway-03.dgn	USER NAME = sbpottorff	DESIGNED - SBP	REVISED -
Default		DRAWN - BMS	REVISED -
		CHECKED - JLV	REVISED -
		DATE - 2/15/2023	REVISED -

**STATE OF ILLINOIS
 DEPARTMENT OF TRANSPORTATION**

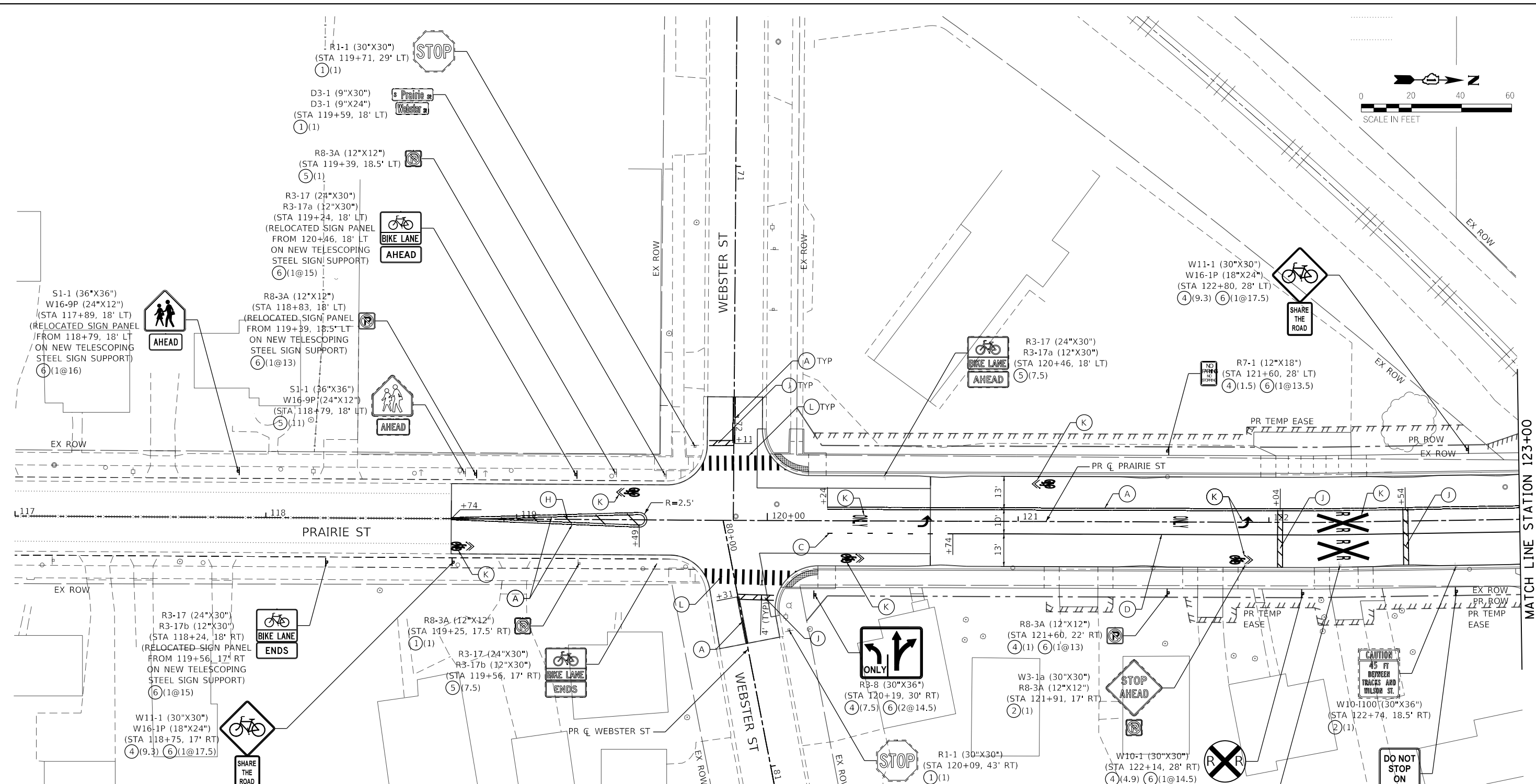
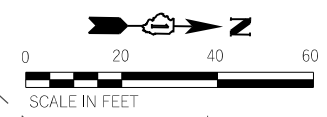
**PRAIRIE STREET AT WILSON STREET INTERSECTION IMPROVEMENTS
 DRIVEWAY DETAILS**

SCALE: 1" = 5'

SHEET 3 OF 3 SHEETS

STA. NA TO STA. NA

F.A.U. RTE.	SECTION	COUNTY	TOTAL SHEETS	SHEET NO.
2511	16-00086-01-FP	KANE	169	82
CONTRACT NO. 61J35				
ILLINOIS FED. AID PROJECT				



PAVEMENT MARKING LEGEND

- (A) THERMOPLASTIC PAVEMENT MARKING - LINE 4" (DOUBLE YELLOW) (2-4" @ 11" C-C)
- (B) THERMOPLASTIC PAVEMENT MARKING - LINE 4" (WHITE)
- (C) THERMOPLASTIC PAVEMENT MARKING - LINE 6" (WHITE) (6' SKIP - 2' DASH)
- (D) THERMOPLASTIC PAVEMENT MARKING - LINE 6" (WHITE)
- (E) THERMOPLASTIC PAVEMENT MARKING - LINE 6" (WHITE) (CROSSHATCH @ 45° 8' C-C)
- (F) THERMOPLASTIC PAVEMENT MARKING - LINE 8" (WHITE)
- (G) THERMOPLASTIC PAVEMENT MARKING - LINE 12" (WHITE) (45° @ 10' C-C)
- (H) THERMOPLASTIC PAVEMENT MARKING - LINE 12" (YELLOW) (45° @ 13' C-C)
- (I) THERMOPLASTIC PAVEMENT MARKING - LINE 12" (YELLOW) (45° @ 45' C-C)
- (J) THERMOPLASTIC PAVEMENT MARKING - LINE 24" (WHITE)
- (K) THERMOPLASTIC PAVEMENT MARKING - LETTERS AND SYMBOLS
- (L) THERMOPLASTIC PAVEMENT MARKING - LINE 12" (WHITE)
- (M) PAVEMENT MARKING (SPECIAL) (HERRINGBONE DECORATIVE CROSSWALK)

SIGNING LEGEND

- (1) EXISTING SIGN PANEL ASSEMBLY TO REMAIN
- (2) REMOVE SIGN PANEL ASSEMBLY - TYPE A (EACH)
- (3) REMOVE SIGN PANEL - TYPE 1 (SQUARE FOOT)
- (4) SIGN PANEL - TYPE 1 (SQUARE FOOT)
- (5) RELOCATE SIGN PANEL - TYPE 1 (SQUARE FOOT)
- (6) TELESCOPING STEEL SIGN SUPPORT (FOOT)

SIGNING NOTES

1. ALL SIGNS IN CLOSE PROXIMITY TO RAILROAD CROSSING SHALL BE INSTALLED SO AS NOT TO OBSTRUCT RAILROAD FLASHING LIGHT SIGNALS.

(6)(7.5)(1@14.0) WORK DESIGNATION (SIGN AREA IN SQ FT) (SIGN POST LENGTH IN FT)

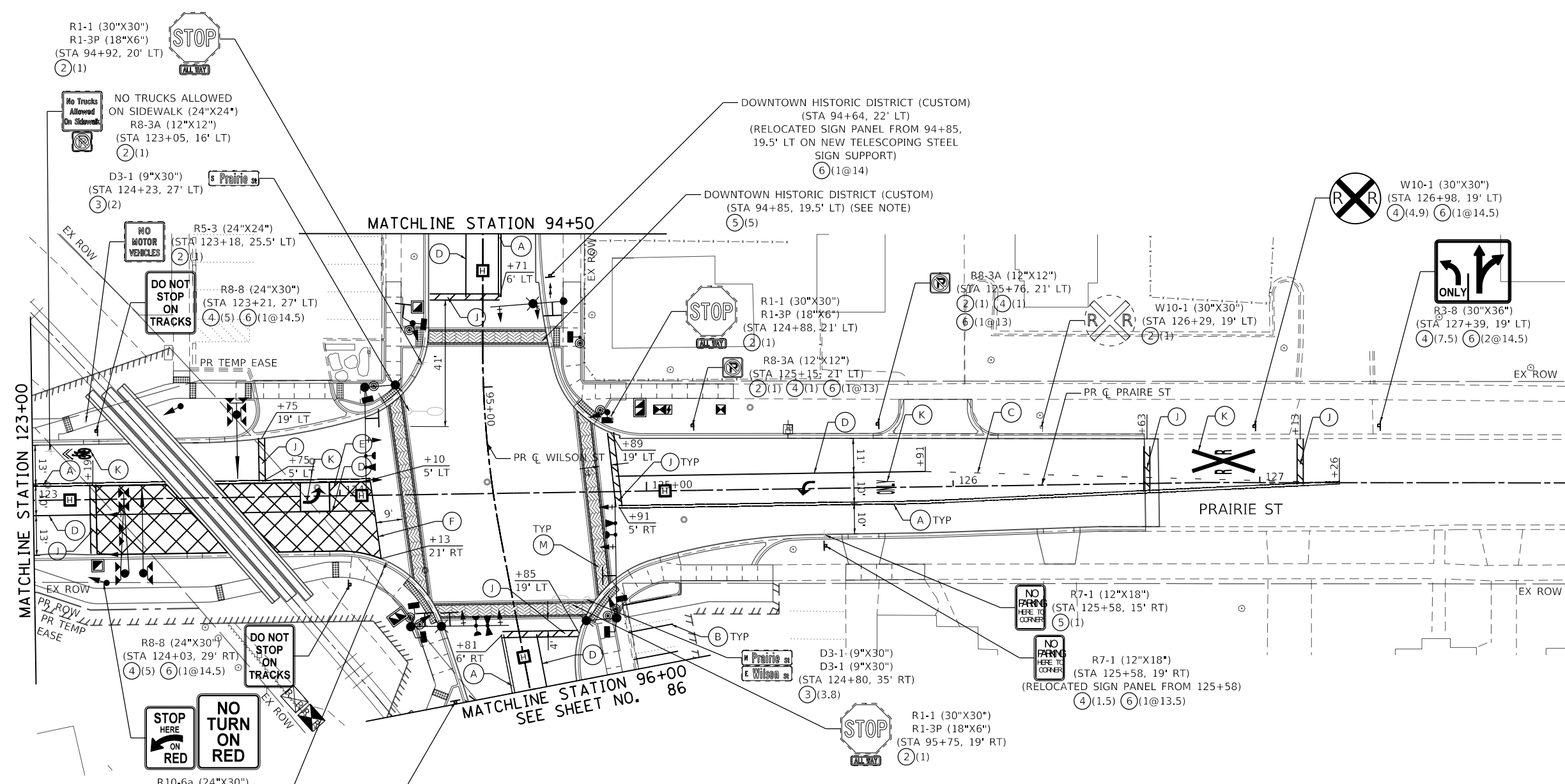
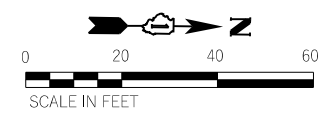
FILE NAME = sht-PaveMkSign-01.dgn	USER NAME = sbpottorff	DESIGNED - SBP	REVISED -
Default		DRAWN - BM5	REVISED -
	PLOT SCALE = 40.0000' / in.	CHECKED - JLV	REVISED -
	PLOT DATE = 2/15/2023	DATE - 2/15/2023	REVISED -

**STATE OF ILLINOIS
 DEPARTMENT OF TRANSPORTATION**

PRAIRIE STREET AT WILSON STREET INTERSECTION IMPROVEMENTS PAVEMENT MARKING AND SIGNING PLAN	
SCALE: 1" = 20'	SHEET 1 OF 4 SHEETS STA. 117+00 TO STA. 123+00

F.A.U. R.T.E. 2511	SECTION 16-00086-01-FP	COUNTY KANE	TOTAL SHEETS 169	SHEET NO. 83
CONTRACT NO. 61J35				
ILLINOIS FED. AID PROJECT				

MATCH LINE STATION 123+00



PAVEMENT MARKING LEGEND

- (A) THERMOPLASTIC PAVEMENT MARKING - LINE 4" (DOUBLE YELLOW) (2-4" @ 11" C-C)
- (B) THERMOPLASTIC PAVEMENT MARKING - LINE 4" (WHITE)
- (C) THERMOPLASTIC PAVEMENT MARKING - LINE 6" (WHITE) (6' SKIP - 2' DASH)
- (D) THERMOPLASTIC PAVEMENT MARKING - LINE 6" (WHITE)
- (E) THERMOPLASTIC PAVEMENT MARKING - LINE 6" (WHITE) (CROSSHATCH @ 45° 8' C-C)
- (F) THERMOPLASTIC PAVEMENT MARKING - LINE 8" (WHITE)
- (G) THERMOPLASTIC PAVEMENT MARKING - LINE 12" (WHITE) (45° @ 10' C-C)
- (H) THERMOPLASTIC PAVEMENT MARKING - LINE 12" (YELLOW) (45° @ 13' C-C)
- (I) THERMOPLASTIC PAVEMENT MARKING - LINE 12" (YELLOW) (45° @ 45' C-C)
- (J) THERMOPLASTIC PAVEMENT MARKING - LINE 24" (WHITE)
- (K) THERMOPLASTIC PAVEMENT MARKING - LETTERS AND SYMBOLS
- (L) THERMOPLASTIC PAVEMENT MARKING - LINE 12" (WHITE)
- (M) PAVEMENT MARKING (SPECIAL) (HERRINGBONE DECORATIVE CROSSWALK)

SIGNING LEGEND

- (1) EXISTING SIGN PANEL ASSEMBLY TO REMAIN
- (2) REMOVE SIGN PANEL ASSEMBLY - TYPE A (EACH)
- (3) REMOVE SIGN PANEL - TYPE 1 (SQUARE FOOT)
- (4) SIGN PANEL - TYPE 1 (SQUARE FOOT)
- (5) RELOCATE SIGN PANEL - TYPE 1 (SQUARE FOOT)
- (6) TELESCOPING STEEL SIGN SUPPORT (FOOT)
- (6)(7.5)(1@14.0) WORK DESIGNATION (SIGN AREA IN SQ FT) (SIGN POST LENGTH IN FT)

SIGNING NOTES

1. ALL SIGNS IN CLOSE PROXIMITY TO RAILROAD CROSSING SHALL BE INSTALLED SO AS NOT TO OBSTRUCT RAILROAD FLASHING LIGHT SIGNALS.

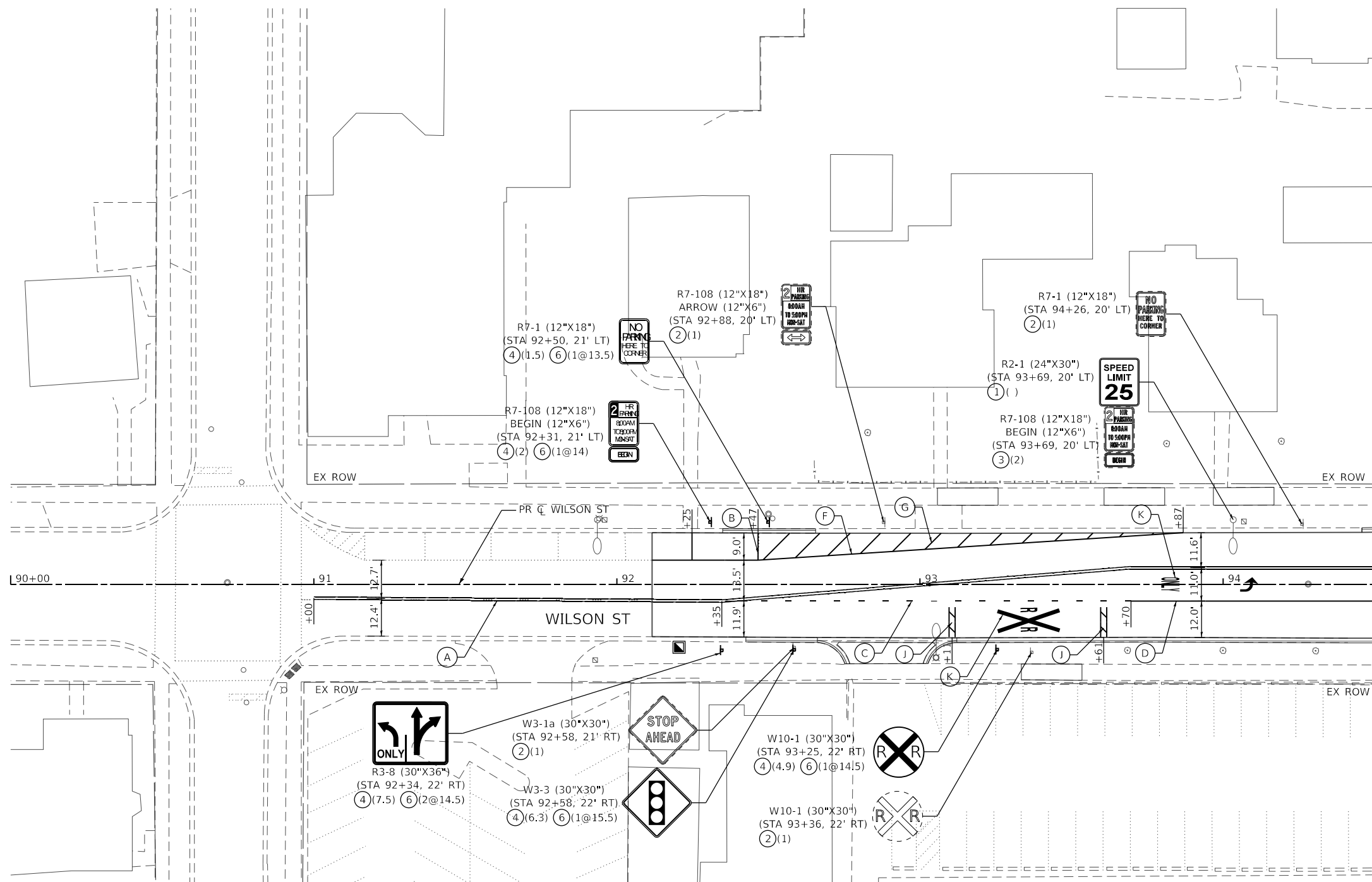
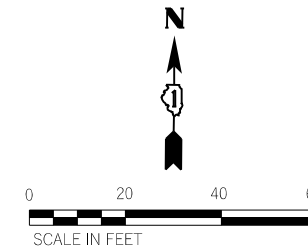
TRANSYSTEMS
 1475 EAST WOODFIELD ROAD, SUITE 600
 SCHAUMBURG, ILLINOIS 60173
 (847) 605-9600

FILE NAME = sht-PaveMkSign-02.dgn	USER NAME = sbpottorff	DESIGNED - SBP	REVISED -
PLOT SCALE = 40.0000' / in.	CHECKED - JLV	DRAWN - BMS	REVISED -
PLOT DATE = 2/15/2023	DATE - 2/15/2023	REVISIONS -	REVISIONS -

STATE OF ILLINOIS
DEPARTMENT OF TRANSPORTATION

PRAIRIE STREET AT WILSON STREET INTERSECTION IMPROVEMENTS PAVEMENT MARKING AND SIGNING PLAN	
SCALE: 1" = 20'	SHEET 2 OF 4 SHEETS
STA. 123+00	TO STA. 128+00

F.A.U. RTE.	SECTION	COUNTY	TOTAL SHEETS	SHEET NO.
2511	16-00086-01-FP	KANE	169	84
CONTRACT NO. 61J35				
ILLINOIS FED. AID PROJECT				



PAVEMENT MARKING LEGEND

- (A) THERMOPLASTIC PAVEMENT MARKING - LINE 4" (DOUBLE YELLOW) (2-4" @ 11" C-C)
- (B) THERMOPLASTIC PAVEMENT MARKING - LINE 4" (WHITE)
- (C) THERMOPLASTIC PAVEMENT MARKING - LINE 6" (WHITE) (6' SKIP - 2' DASH)
- (D) THERMOPLASTIC PAVEMENT MARKING - LINE 6" (WHITE)
- (E) THERMOPLASTIC PAVEMENT MARKING - LINE 6" (WHITE) (CROSSHATCH @ 45° 8' C-C)
- (F) THERMOPLASTIC PAVEMENT MARKING - LINE 8" (WHITE)
- (G) THERMOPLASTIC PAVEMENT MARKING - LINE 12" (WHITE) (45° @ 10' C-C)
- (H) THERMOPLASTIC PAVEMENT MARKING - LINE 12" (YELLOW) (45° @ 13' C-C)
- (I) THERMOPLASTIC PAVEMENT MARKING - LINE 12" (YELLOW) (45° @ 45' C-C)
- (J) THERMOPLASTIC PAVEMENT MARKING - LINE 24" (WHITE)
- (K) THERMOPLASTIC PAVEMENT MARKING - LETTERS AND SYMBOLS
- (L) THERMOPLASTIC PAVEMENT MARKING - LINE 12" (WHITE)
- (M) PAVEMENT MARKING (SPECIAL) (HERRINGBONE DECORATIVE CROSSWALK)

SIGNING LEGEND

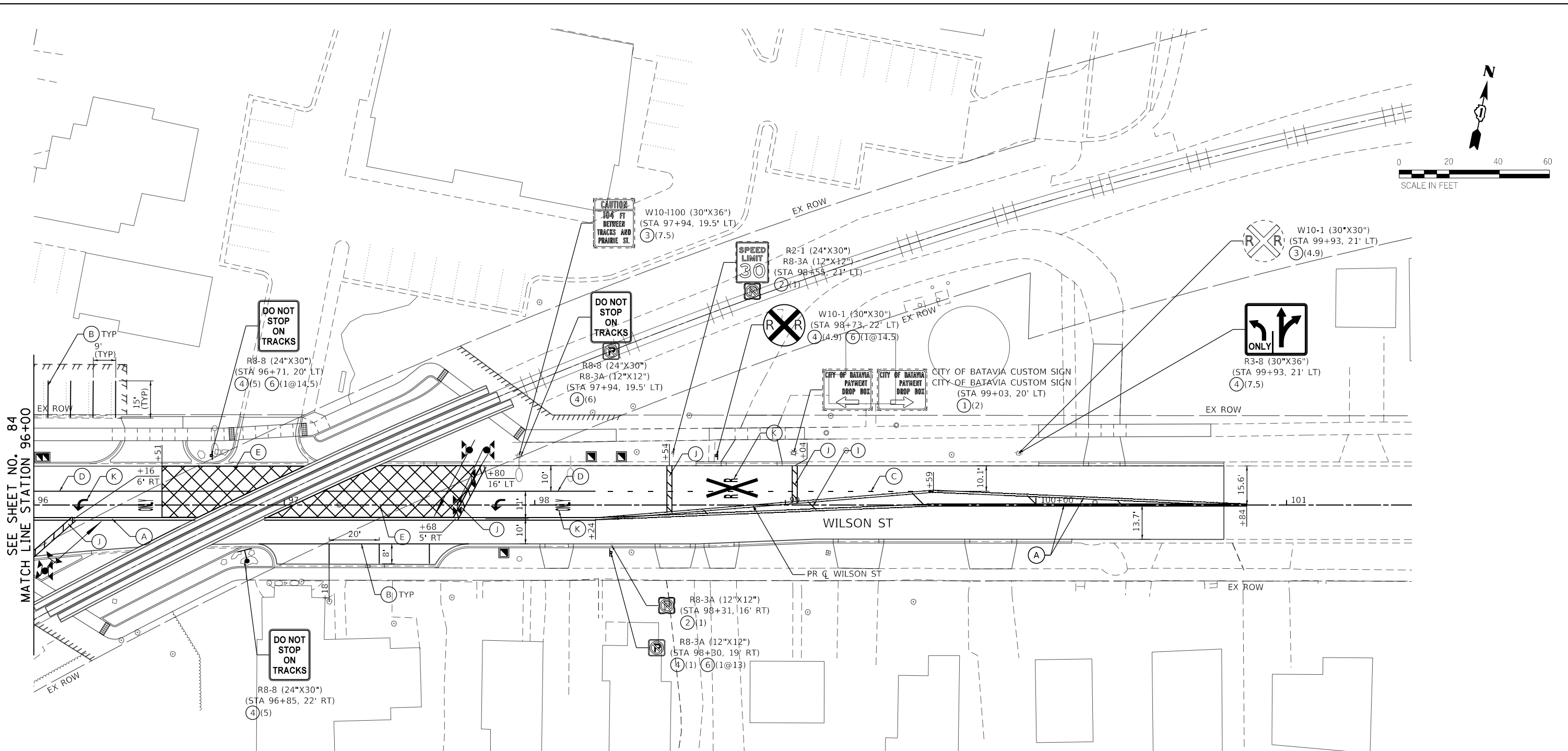
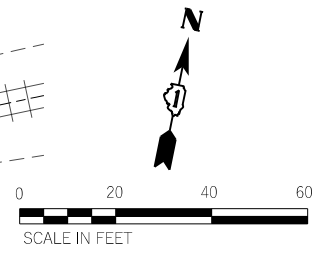
- (1) EXISTING SIGN PANEL ASSEMBLY TO REMAIN
 - (2) REMOVE SIGN PANEL ASSEMBLY - TYPE A (EACH)
 - (3) REMOVE SIGN PANEL - TYPE 1 (SQUARE FOOT)
 - (4) SIGN PANEL - TYPE 1 (SQUARE FOOT)
 - (5) RELOCATE SIGN PANEL - TYPE 1 (SQUARE FOOT)
 - (6) TELESCOPING STEEL SIGN SUPPORT (FOOT)
- (6)(7.5)(1@14.0) WORK DESIGNATION (SIGN AREA IN SQ FT) (SIGN POST LENGTH IN FT)

SIGNING NOTES

1. ALL SIGNS IN CLOSE PROXIMITY TO RAILROAD CROSSING SHALL BE INSTALLED SO AS NOT TO OBSTRUCT RAILROAD FLASHING LIGHT SIGNALS.

TRANSYSTEMS
 1475 EAST WOODFIELD ROAD, SUITE 600
 SCHAUMBURG, ILLINOIS 60173
 (847) 605-9600

FILE NAME = sht-PaveMkSign-03.dgn	USER NAME = sbpottorff	DESIGNED - SBP	REVISED -	STATE OF ILLINOIS DEPARTMENT OF TRANSPORTATION	PRAIRIE STREET AT WILSON STREET INTERSECTION IMPROVEMENTS PAVEMENT MARKING AND SIGNING PLAN	F.A.U. RTE. = 2511	SECTION = 16-00086-01-FP	COUNTY = KANE	TOTAL SHEETS = 169	SHEET NO. = 85		
Default	PLOT SCALE = 40.0000' / in.	CHECKED - JLV	REVISED -			SCALE: 1" = 20'	SHEET 3 OF 4 SHEETS	STA. 90+00	TO STA. 94+50	CONTRACT NO. 61J35		
	PLOT DATE = 2/15/2023	DATE = 2/15/2023	REVISED -			ILLINOIS FED. AID PROJECT						



SEE SHEET NO. 84
MATCH LINE STATION 96+00

PAVEMENT MARKING LEGEND

- (A) THERMOPLASTIC PAVEMENT MARKING - LINE 4" (DOUBLE YELLOW) (2-4" @ 11" C-C)
- (B) THERMOPLASTIC PAVEMENT MARKING - LINE 4" (WHITE)
- (C) THERMOPLASTIC PAVEMENT MARKING - LINE 6" (WHITE) (6' SKIP - 2' DASH)
- (D) THERMOPLASTIC PAVEMENT MARKING - LINE 6" (WHITE)
- (E) THERMOPLASTIC PAVEMENT MARKING - LINE 6" (WHITE) (CROSSHATCH @ 45° 8' C-C)
- (F) THERMOPLASTIC PAVEMENT MARKING - LINE 8" (WHITE)
- (G) THERMOPLASTIC PAVEMENT MARKING - LINE 12" (WHITE) (45° @ 10' C-C)
- (H) THERMOPLASTIC PAVEMENT MARKING - LINE 12" (YELLOW) (45° @ 13' C-C)
- (I) THERMOPLASTIC PAVEMENT MARKING - LINE 12" (YELLOW) (45° @ 45' C-C)
- (J) THERMOPLASTIC PAVEMENT MARKING - LINE 24" (WHITE)
- (K) THERMOPLASTIC PAVEMENT MARKING - LETTERS AND SYMBOLS
- (L) THERMOPLASTIC PAVEMENT MARKING - LINE 12" (WHITE)
- (M) PAVEMENT MARKING (SPECIAL) (HERRINGBONE DECORATIVE CROSSWALK)

SIGNING LEGEND

- (1) EXISTING SIGN PANEL ASSEMBLY TO REMAIN
 - (2) REMOVE SIGN PANEL ASSEMBLY - TYPE A (EACH)
 - (3) REMOVE SIGN PANEL - TYPE 1 (SQUARE FOOT)
 - (4) SIGN PANEL - TYPE 1 (SQUARE FOOT)
 - (5) RELOCATE SIGN PANEL - TYPE 1 (SQUARE FOOT)
 - (6) TELESCOPING STEEL SIGN SUPPORT (FOOT)
- (6)(7.5)(1@14.0) WORK DESIGNATION (SIGN AREA IN SQ FT) (SIGN POST LENGTH IN FT)


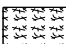



SIGNING NOTES

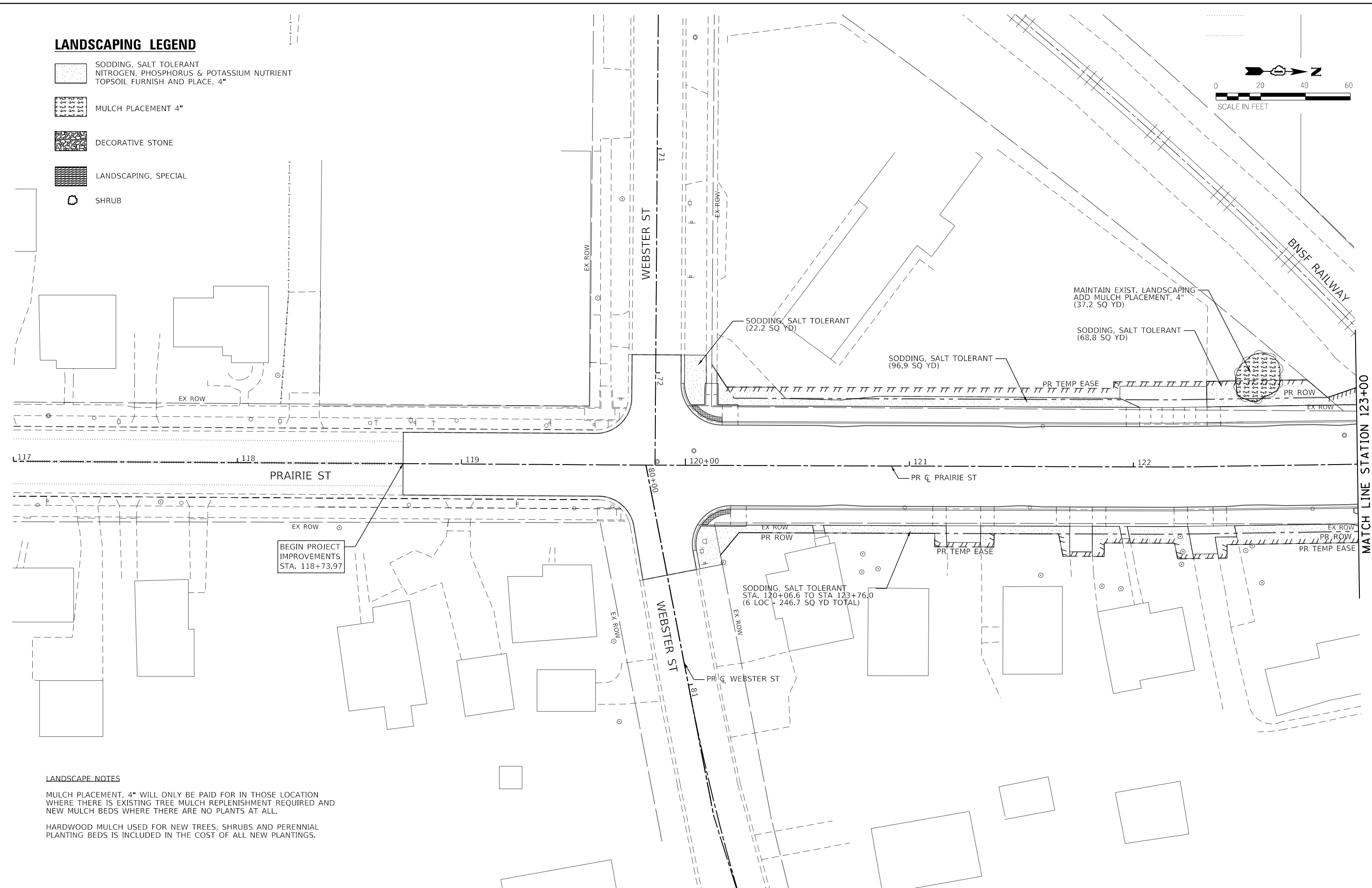
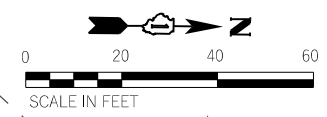
1. ALL SIGNS IN CLOSE PROXIMITY TO RAILROAD CROSSING SHALL BE INSTALLED SO AS NOT TO OBSTRUCT RAILROAD FLASHING LIGHT SIGNALS.

TRANSYSTEMS
1475 EAST WOODFIELD ROAD, SUITE 600
SCHAUMBURG, ILLINOIS 60173
(847) 605-9600

FILE NAME = sht-PaveMkSign-04.dgn	USER NAME = sbpottorff	DESIGNED - SBP	REVISED -	STATE OF ILLINOIS DEPARTMENT OF TRANSPORTATION	PRAIRIE STREET AT WILSON STREET INTERSECTION IMPROVEMENTS PAVEMENT MARKING AND SIGNING PLAN	F.A.U. RTE. = 2511	SECTION = 16-00086-01-FP	COUNTY = KANE	TOTAL SHEETS = 169	SHEET NO. = 86		
Default	PLOT SCALE = 40.0000' / in.	CHECKED - JLV	REVISED -			SCALE: 1" = 20'	SHEET 4 OF 4 SHEETS	STA. 96+00	TO STA. 101+50	CONTRACT NO. 61J35		
	PLOT DATE = 2/15/2023	DATE = 2/15/2023	REVISED -			ILLINOIS FED. AID PROJECT						

LANDSCAPING LEGEND

-  SODDING, SALT TOLERANT
NITROGEN, PHOSPHORUS & POTASSIUM NUTRIENT
TOPSOIL FURNISH AND PLACE, 4"
-  MULCH PLACEMENT 4"
-  DECORATIVE STONE
-  LANDSCAPING, SPECIAL
-  SHRUB



BEGIN PROJECT IMPROVEMENTS STA. 118+73.97

LANDSCAPE NOTES

MULCH PLACEMENT, 4" WILL ONLY BE PAID FOR IN THOSE LOCATION WHERE THERE IS EXISTING TREE MULCH REPLENISHMENT REQUIRED AND NEW MULCH BEDS WHERE THERE ARE NO PLANTS AT ALL.

HARDWOOD MULCH USED FOR NEW TREES, SHRUBS AND PERENNIAL PLANTING BEDS IS INCLUDED IN THE COST OF ALL NEW PLANTINGS.

TRANSYSTEMS
 1475 EAST WOODFIELD ROAD, SUITE 600
 SCHAUMBURG, ILLINOIS 60173
 (847) 605-9600

FILE NAME = sht-Landscape-01.dgn	USER NAME = sbpottorff	DESIGNED - SBP	REVISED -
Default	PLOT SCALE = 40.0000' / in.	DRAWN - BMS	REVISED -
	PLOT DATE = 2/15/2023	CHECKED - JLV	REVISED -
		DATE - 2/15/2023	REVISED -

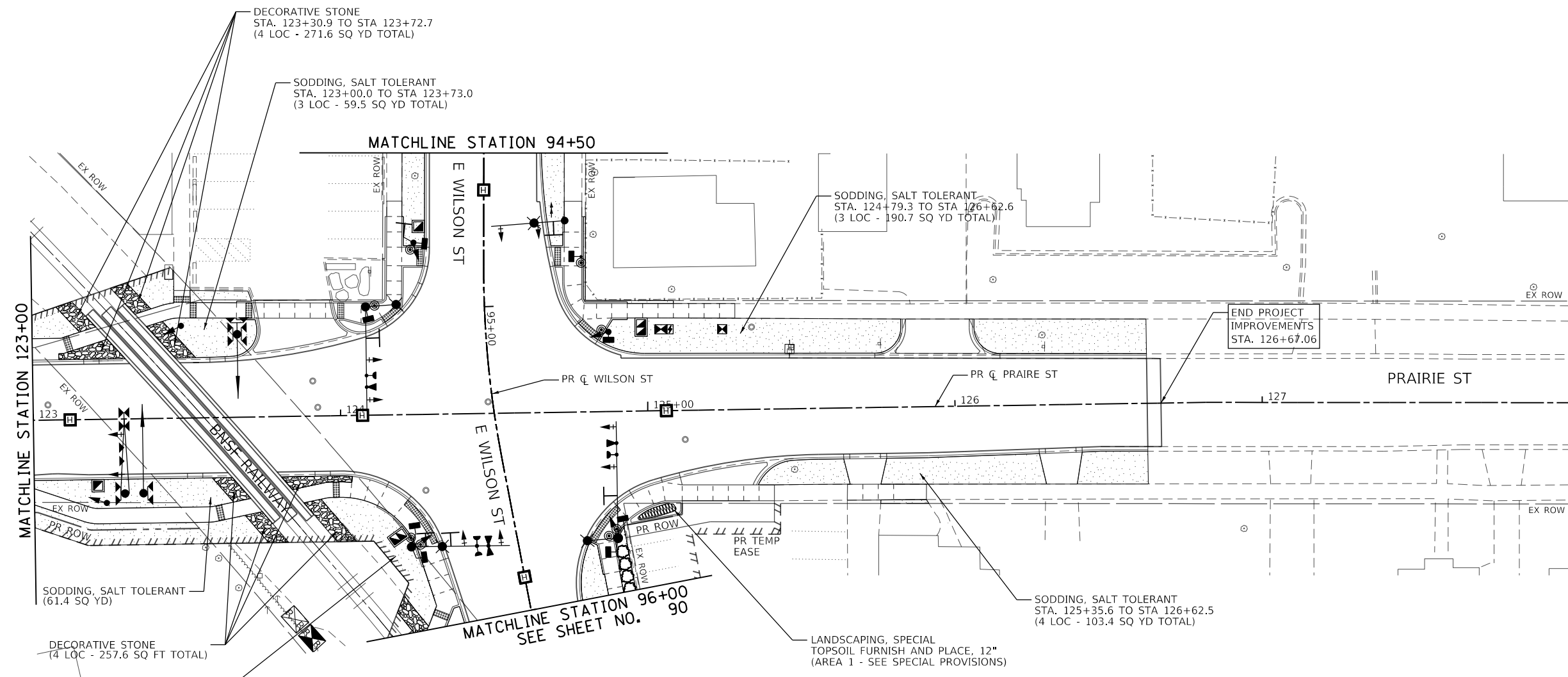
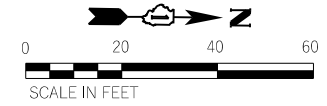
**STATE OF ILLINOIS
DEPARTMENT OF TRANSPORTATION**

**PRAIRIE STREET AT WILSON STREET INTERSECTION IMPROVEMENTS
RESTORATION PLAN**


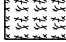



SCALE: 1"=20' SHEET 1 OF 4 SHEETS STA. 117+00 TO STA. 123+00

F.A.U. RTE.	SECTION	COUNTY	TOTAL SHEETS	SHEET NO.
2511	16-00086-01-FP	KANE	169	87
CONTRACT NO. 61J35				
ILLINOIS FED. AID PROJECT				

MATCH LINE STATION 123+00



LANDSCAPING LEGEND

-  SODDING, SALT TOLERANT
NITROGEN, PHOSPHORUS & POTASSIUM NUTRIENT
TOPSOIL FURNISH AND PLACE, 4"
-  MULCH PLACEMENT 4"
-  DECORATIVE STONE
-  LANDSCAPING, SPECIAL
-  SHRUB

LANDSCAPE NOTES

MULCH PLACEMENT, 4" WILL ONLY BE PAID FOR IN THOSE LOCATION WHERE THERE IS EXISTING TREE MULCH REPLENISHMENT REQUIRED AND NEW MULCH BEDS WHERE THERE ARE NO PLANTS AT ALL.

HARDWOOD MULCH USED FOR NEW TREES, SHRUBS AND PERENNIAL PLANTING BEDS IS INCLUDED IN THE COST OF ALL NEW PLANTINGS.

TRANSYSTEMS
 1475 EAST WOODFIELD ROAD, SUITE 600
 SCHAUMBURG, ILLINOIS 60173
 (847) 605-9600

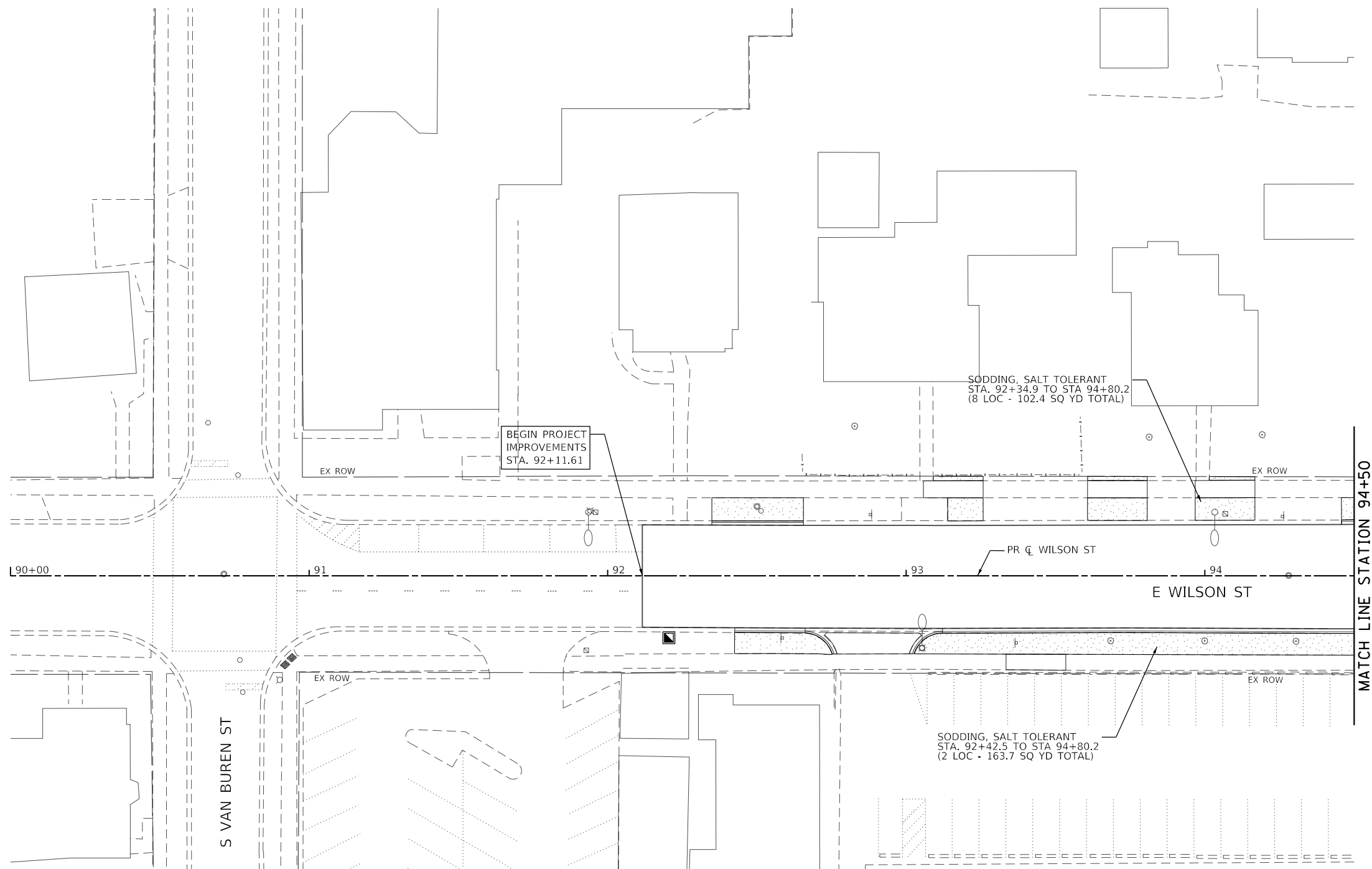
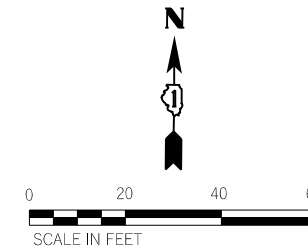
FILE NAME = sht-Landscape-02.dgn	USER NAME = sbpottorff	DESIGNED - SBP	REVISED -
Default		DRAWN - BMS	REVISED -
	PLOT SCALE = 40.0000' / in.	CHECKED - JLV	REVISED -
	PLOT DATE = 2/15/2023	DATE - 2/15/2023	REVISED -

**STATE OF ILLINOIS
DEPARTMENT OF TRANSPORTATION**

**PRAIRIE STREET AT WILSON STREET INTERSECTION IMPROVEMENTS
RESTORATION PLAN**

SCALE: 1"=20' SHEET 2 OF 4 SHEETS STA. 123+00 TO STA. 128+00

F.A.U. RTE.	SECTION	COUNTY	TOTAL SHEETS	SHEET NO.
2511	16-00086-01-FP	KANE	169	88
CONTRACT NO. 61J35				
ILLINOIS FED. AID PROJECT				



LANDSCAPING LEGEND

- SODDING, SALT TOLERANT NITROGEN, PHOSPHORUS & POTASSIUM NUTRIENT TOPSOIL FURNISH AND PLACE, 4"
- MULCH PLACEMENT 4"
- DECORATIVE STONE
- LANDSCAPING, SPECIAL
- SHRUB

TRANSYSTEMS
 1475 EAST WOODFIELD ROAD, SUITE 600
 SCHAUMBURG, ILLINOIS 60173
 (847) 605-9600

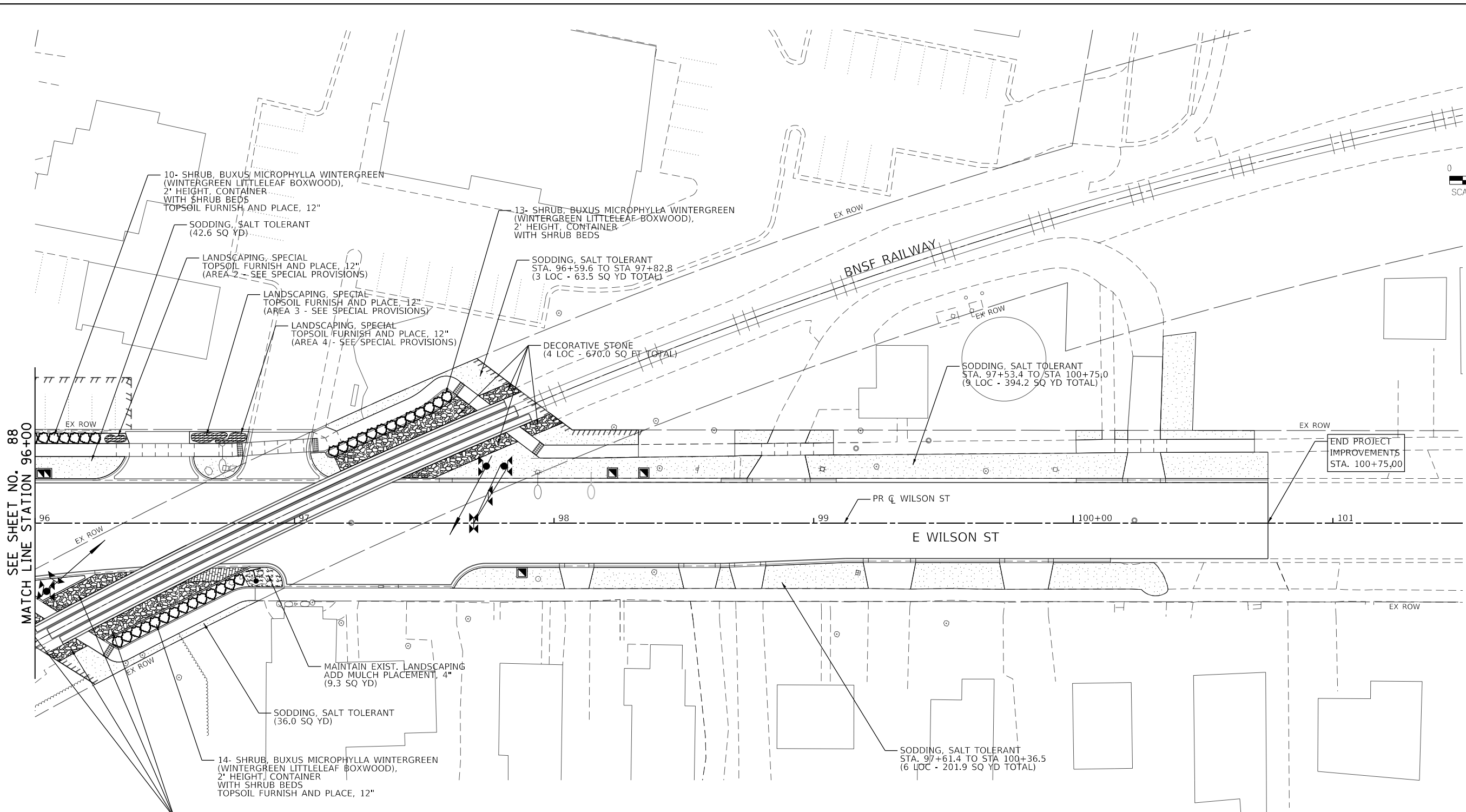
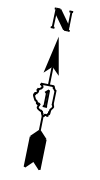
FILE NAME = sht-Landscape-03.dgn	USER NAME = sbpottorff	DESIGNED - SBP	REVISED -
Default	PLOT SCALE = 40.0000 ' / in.	DRAWN - BMS	REVISED -
	PLOT DATE = 2/15/2023	CHECKED - JLV	REVISED -
		DATE - 2/15/2023	REVISED -

**STATE OF ILLINOIS
DEPARTMENT OF TRANSPORTATION**

**PRAIRIE STREET AT WILSON STREET INTERSECTION IMPROVEMENTS
RESTORATION PLAN**

SCALE: 1"=20' SHEET 3 OF 4 SHEETS STA. 90+00 TO STA. 94+50

F.A.U. RTE.	SECTION	COUNTY	TOTAL SHEETS	SHEET NO.
2511	16-00086-01-FP	KANE	169	89
CONTRACT NO. 61J35				
ILLINOIS FED. AID PROJECT				



SEE SHEET NO. 88
MATCH LINE STATION 96+00

END PROJECT
IMPROVEMENTS
STA. 100+75.00

LANDSCAPING LEGEND

- SODDING, SALT TOLERANT
NITROGEN, PHOSPHORUS & POTASSIUM NUTRIENT
TOPSOIL FURNISH AND PLACE, 4"
- MULCH PLACEMENT 4"
- DECORATIVE STONE
- LANDSCAPING, SPECIAL
- SHRUB

LANDSCAPE NOTES

MULCH PLACEMENT, 4" WILL ONLY BE PAID FOR IN THOSE LOCATION WHERE THERE IS EXISTING TREE MULCH REPLENISHMENT REQUIRED AND NEW MULCH BEDS WHERE THERE ARE NO PLANTS AT ALL.
HARDWOOD MULCH USED FOR NEW TREE, SHRUBS AND PERINEAL PLANTING BEDS IS INCLUDED IN THE COST OF ALL NEW PLANTINGS.

TRANSYSTEMS
1475 EAST WOODFIELD ROAD, SUITE 600
SCHAUMBURG, ILLINOIS 60173
(847) 605-9600

FILE NAME = sht-Landscape-04.dgn	USER NAME = sbpottorff	DESIGNED - SBP	REVISED -
Default		DRAWN - BMS	REVISED -
	PLOT SCALE = 40.0000' / in.	CHECKED - JLV	REVISED -
	PLOT DATE = 2/15/2023	DATE - 2/15/2023	REVISED -

**STATE OF ILLINOIS
DEPARTMENT OF TRANSPORTATION**

**PRAIRIE STREET AT WILSON STREET INTERSECTION IMPROVEMENTS
RESTORATION PLAN**

SCALE: 1"=20' SHEET 4 OF 4 SHEETS STA. 96+00 TO STA. 101+50

F.A.U. RTE.	SECTION	COUNTY	TOTAL SHEETS	SHEET NO.
2511	16-00086-01-FP	KANE	169	90
CONTRACT NO. 61J35				
ILLINOIS FED. AID PROJECT				

SCHEDULE OF QUANTITIES

NO	PAY ITEM NAME	UNIT	QTY TOTAL	PRAIRIE AND WILSON INTERSECTION	PROPOSED WILSON STREET INTERCONNECT	MOT / DETOUR
1	SIGN PANEL - TYPE 1	SQ FT	56	56		
2	ELECTRIC UTILITY SERVICE CONNECTION	LSUM	1	1		
3	UNDERGROUND CONDUIT, GALVANIZED STEEL, 2" DIA.	FOOT	1,073	1,015	58	
4	UNDERGROUND CONDUIT, GALVANIZED STEEL, 3" DIA.	FOOT	330	330		
5	UNDERGROUND CONDUIT, GALVANIZED STEEL, 4" DIA.	FOOT	430	430		
6	UNDERGROUND CONDUIT, PVC, 3" DIA.	FOOT	300	300		
7	HANDHOLE	EACH	6	6		
8	HEAVY-DUTY HANDHOLE	EACH	5	5		
9	DOUBLE HANDHOLE	EACH	3	3		
10	ELECTRIC CABLE IN CONDUIT, 600V (XLP-TYPE USE) 1/C NO. 10	FOOT	2,500	2,500		
11	MAINTENANCE OF EXISTING TRAFFIC SIGNAL INSTALLATION	EACH	1		1	
12	PAINT NEW TRAFFIC SIGNAL POST	EACH	6	6		
13	PAINT NEW MAST ARM AND POLE, UNDER 40 FOOT	EACH	2	2		
14	PAINT NEW COMBINATION MAST ARM AND POLE, UNDER 40 FOOT	EACH	2	2		
15	TRANSCEIVER - FIBER OPTIC	EACH	1	1		
16	ELECTRIC CABLE IN CONDUIT, TRACER, NO. 14 1C	FOOT	930		930	
17	ELECTRIC CABLE IN CONDUIT, SIGNAL NO. 14 2C	FOOT	1,020	1,020		
18	ELECTRIC CABLE IN CONDUIT, SIGNAL NO. 14 3C	FOOT	2,680	2,680		
19	ELECTRIC CABLE IN CONDUIT, SIGNAL NO. 14 5C	FOOT	2,035	2,035		
20	ELECTRIC CABLE IN CONDUIT, SIGNAL NO. 14 7C	FOOT	1,310	1,310		
21	ELECTRIC CABLE IN CONDUIT, LEAD-IN, NO. 14 1 PAIR	FOOT	5,250	5,250		
22	ELECTRIC CABLE IN CONDUIT, RAILROAD, NO. 14 3C	FOOT	1,215	1,215		
23	ELECTRIC CABLE IN CONDUIT, SERVICE, NO. 6 2 C	FOOT	75	75		
24	ELECTRIC CABLE IN CONDUIT, EQUIPMENT GROUNDING CONDUCTOR, NO. 6 1C	FOOT	1,395	1,395		
25	TRAFFIC SIGNAL POST, GALVANIZED STEEL 12 FT.	EACH	2	2		
26	TRAFFIC SIGNAL POST, GALVANIZED STEEL 16 FT.	EACH	1	1		
27	TRAFFIC SIGNAL POST, GALVANIZED STEEL 18 FT.	EACH	2	2		
28	CONCRETE FOUNDATION, TYPE A	FOOT	20	20		
29	CONCRETE FOUNDATION, TYPE C	FOOT	4	4		
30	CONCRETE FOUNDATION, TYPE E 36-INCH DIAMETER	FOOT	43	43		
31	SIGNAL HEAD, LED, 1-FACE, 3-SECTION, MAST-ARM MOUNTED	EACH	6	6		
32	SIGNAL HEAD, LED, 1-FACE, 3-SECTION, BRACKET MOUNTED	EACH	2	2		
33	SIGNAL HEAD, LED, 1-FACE, 4-SECTION, BRACKET MOUNTED	EACH	2	2		
34	SIGNAL HEAD, LED, 1-FACE, 4-SECTION, MAST ARM MOUNTED	EACH	2	2		
35	SIGNAL HEAD, LED, 1-FACE, 5-SECTION, BRACKET MOUNTED	EACH	2	2		
36	SIGNAL HEAD, LED, 1-FACE, 5-SECTION, MAST-ARM MOUNTED	EACH	2	2		
37	PEDESTRIAN SIGNAL HEAD, LED, 1-FACE, BRACKET MOUNTED WITH COUNTDOWN TIMER	EACH	8	8		
38	TRAFFIC SIGNAL BACKPLATE, LOUVERED, FORMED PLASTIC	EACH	10	10		
39	INDUCTIVE LOOP DETECTOR	EACH	10	10		
40	DETECTOR LOOP, TYPE I	FOOT	980	980		
41	LIGHT DETECTOR	EACH	4	4		
42	LIGHT DETECTOR AMPLIFIER	EACH	1	1		
43	PEDESTRIAN PUSH-BUTTON	EACH	8	8		
44	EMERGENCY VEHICLE PRIORITY SYSTEM LINE SENSOR CABLE, NO. 20 3/C	FOOT	655	655		
45	SERVICE INSTALLATION, GROUND MOUNTED, METERED	EACH	1	1		
46	RAILROAD, FULL-ACTUATED CONTROLLER AND TYPE SUPER P CABINET (SPECIAL)	EACH	1	1		
47	LUMINAIRE (SPECIAL)	EACH	4	4		
48	SPARE RAILROAD, FULL ACTUATED CONTROLLER, SPECIAL	EACH	1	1		
49	PEDESTRIAN SIGNAL POST, 10 FT.	EACH	1	1		
50	CONDUIT SPLICE	EACH	1		1	
51	COMBINATION LIGHTING CONTROLLER	EACH	1	1		
52	UNINTERRUPTABLE POWER SUPPLY, SPECIAL	EACH	1	1		
53	FIBER OPTIC CABLE IN CONDUIT, NO. 62.5/125, MM12F SM24F	FOOT	965		965	
54	STEEL COMBINATION MAST ARM ASSEMBLY AND POLE 24 FT. (SPECIAL)	EACH	1	1		
55	STEEL COMBINATION MAST ARM ASSEMBLY AND POLE 32 FT. (SPECIAL)	EACH	1	1		
56	STEEL COMBINATION MAST ARM ASSEMBLY AND POLE 36 FT. (SPECIAL)	EACH	1	1		
57	STEEL COMBINATION MAST ARM ASSEMBLY AND POLE 38 FT. (SPECIAL)	EACH	1	1		
58	CONCRETE FOUNDATION, TYPE A 12-INCH DIAMETER	FOOT	4	4		
59	ILLUMINATED SIGN, SPECIAL	EACH	3	3		
60	OPTIMIZE TRAFFIC SIGNAL SYSTEM	EACH	1	1		

TRAFFIC SIGNAL GENERAL NOTES:

- THE EXACT LOCATION OF ALL UTILITIES SHALL BE FIELD VERIFIED BY THE CONTRACTOR BEFORE ORDERING ANY MATERIALS AND STARTING ANY WORK. FOR LOCATIONS OF UTILITIES, LOCALLY OWNED EQUIPMENT, LEASED ENFORCEMENT CAMERA SYSTEM FACILITIES AND IDOT UNDERGROUND FACILITIES, CONTACT THE LOCAL COUNTIES, MUNICIPALITIES AND IDOT FOR LOCATES. THE CONTRACTOR SHALL CALL "JULIE" AT (800) 892-0123 OR 811, FOR FIELD LOCATIONS OF BURIED UTILITIES (48 HOUR NOTIFICATION REQUIRED).
- THE CONTRACTOR SHALL CHECK THE PROPOSED TRAFFIC SIGNAL EQUIPMENT LOCATIONS FOR OVERHEAD UTILITY CONFLICTS. THE CONTRACTOR SHALL COORDINATE ANY CONFLICTS WITH THE UTILITY COMPANIES AND THE RESIDENT ENGINEER BEFORE ORDERING MATERIALS.
- THE CONTRACTOR SHALL COORDINATE CONSTRUCTION ACTIVITIES WITH UTILITY COMPANIES, LOCAL GOVERNMENT AGENCIES AND IDOT.
- ALL PEDESTRIAN PUSH-BUTTON LOCATIONS SHALL FOLLOW THE GUIDELINES FROM ADA/PROWAG. THE LOCATION OF THE PEDESTRIAN PUSH-BUTTON MUST BE PARALLEL TO THE CROSS WALK. A PEDESTRIAN PUSH-BUTTON EXTENSION MAY BE NEEDED FOR THE ACCESSIBILITY AND CORRECT ALIGNMENT OF PEDESTRIAN PUSH-BUTTON. THE EXTENSION SHALL BE INCLUDED IN THE COST OF THE PAY ITEM "PEDESTRIAN PUSH-BUTTON".
- NUMBER OF TURNS IN DETECTOR LOOP SHALL FOLLOW THE RECOMMENDATION OF THE AMPLIFIER MANUFACTURER AND SHALL BE DEVELOPED SPECIFICALLY FOR THAT LOOP DETECTOR AND LOCATION.
- ALL TRAFFIC SIGNAL FOUNDATIONS SHALL BE SET AT NO MORE THEN THE MINIMUM HEIGHT ABOVE GRADE PERMITTED BY IDOT SPECIFICATIONS, FOUNDATIONS INSTALLED IN SIDEWALK AREAS SHALL BE FLUSH WITH THE FINISHED SIDEWALK.
- ALL TRAFFIC SIGNAL HEADS, PUSH-BUTTON HOUSINGS, PUSH-BUTTON SIGN FRAMES, POLE BRACKETS, LIGHT DETECTOR MOUNTING HARDWARE, AND BANDINGS SHALL BE BLACK TO MATCH CITY OF BATAVIA REQUIREMENTS.
- ALL TRAFFIC SIGNAL AND PUSH-BUTTON POST TOPS SHALL BE PAINTED DARK BRONZE TO MATCH CITY OF BATAVIA REQUIREMENTS.
- FINAL TRAFFIC SIGNAL FOUNDATION LOCATIONS SHALL BE APPROVED BY CITY OF BATAVIA PRIOR TO FOUNDATION INSTALLATIONS.
- THE TRAFFIC SIGNAL CONTROLLER EQUIPMENT FOR THIS PROJECT SHALL BE "ECONOLITE" TO MATCH THE EXISTING ADJACENT SYSTEM.
- SPACE RAILROAD, FULL-ACTUATED CONTROLLER, SPECIAL SHALL BE DELIVERED TO THE CITY OF BATAVIA. CONTROLLER SHALL BE FULLY PROGRAMMED TO MATCH CONTROLLER BEING USED IN THE FIELD.
- CHANGEABLE MESSAGE SIGNS SHALL BE INSTALLED ON EACH APPROACH TO THE INTERSECTION FOR AT LEAST ONE WEEK PRIOR TO THE SIGNAL TURN ON.

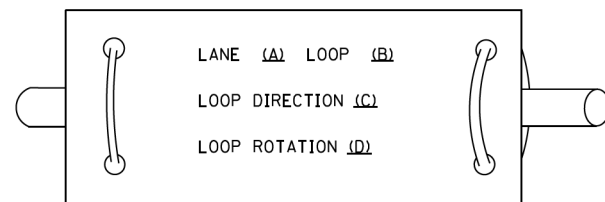
FILE NAME =	USER NAME = sbpottorff	DESIGNED -	REVISED -
0002-sh-t-15001		DRAWN -	REVISED -
Default		CHECKED -	REVISED -
	PLOT SCALE = 40.0000' / in.	DATE -	REVISED -
	PLOT DATE = 2/15/2023		

F.A.U. RTE.	SECTION	COUNTY	TOTAL SHEETS	SHEET NO.
2511	16-00086-01-FP	KANE	169	91
			CONTRACT NO. 61J35	
ILLINOIS FED. AID PROJECT				

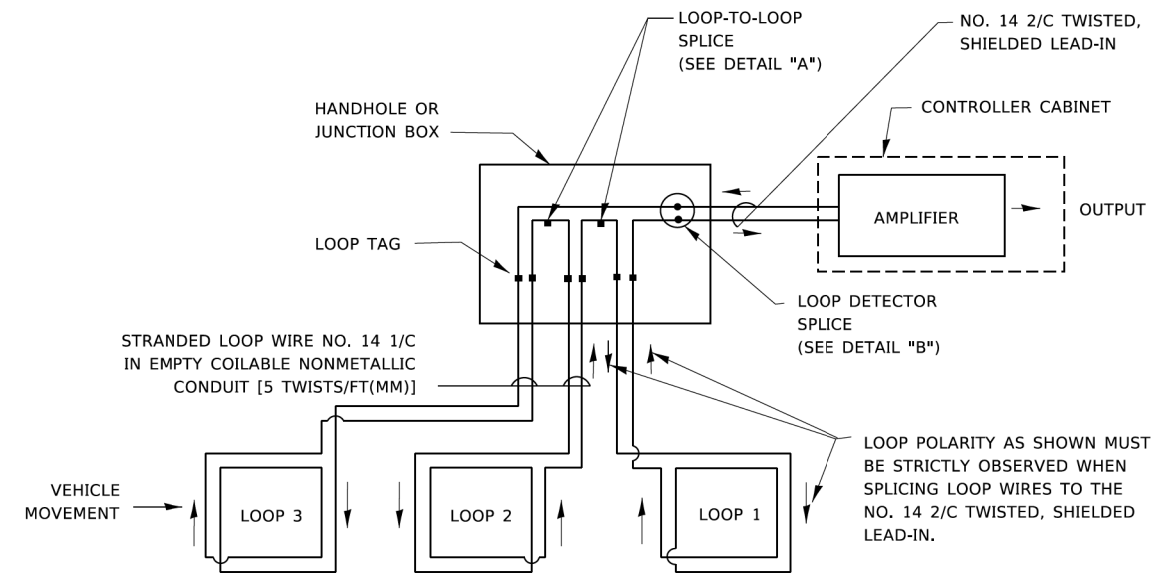
LOOP DETECTOR NOTES

1. EACH PAIR OF LOOP WIRES SHALL BE PLACED IN A SEPARATE EMPTY COILABLE NONMETALLIC CONDUIT FROM THE EDGE OF PAVEMENT TO THE HANDHOLE. SPACING BETWEEN THE HOLES DRILLED IN THE PAVEMENT SHALL NOT BE LESS THAN 6" (150 mm). EMPTY COILABLE NONMETALLIC CONDUIT SHALL BE INCLUDED IN THE COST OF THE LOOP WIRE.
2. THE NUMBER OF LOOP TURNS SHALL BE AS RECOMMENDED BY THE AMPLIFIER MANUFACTURER. ALL ADJACENT SIDES OF THE LOOPS SHALL BE INSTALLED IN SUCH A WAY THAT THE CURRENT FLOW IS IN THE SAME DIRECTION TO REINFORCE ITS MAGNETIC FIELDS FOR SMALL VEHICLE DETECTION.
3. EACH LOOP LEAD-IN SHALL BE IDENTIFIED AND PERMANENTLY TAGGED IN THE HANDHOLE. EACH LEAD-IN CABLE TAG SHALL INDICATE THE LOCATION OF THE LOOP, LOOP ROTATION (CLOCKWISE/COUNTERCLOCKWISE), LOOP LEAD-IN DIRECTION (IN OR OUT), LOOP CABLE NUMBER AND LOCATION IN CABINET, AND NUMBER OF TURNS IN THE DETECTOR LOOPS IN WATER PROOF INK AS INDICATED ON THE DISTRICT 1 STANDARD TRAFFIC SIGNAL DESIGN DETAIL. THE CONTRACTOR SHALL MARK LOOP LOCATIONS ON RECORD DRAWINGS AND PRESENT TO THE ENGINEER AFTER FINAL INSPECTION. LOOPS SHALL BE MARKED BY LANE AND LOOP NUMBER. SEE DETAIL BELOW.
4. ALL LOOP CABLE SHALL BE FASTENED WITH PLASTIC TIE WRAP TO THE HANDHOLE HOOKS.
5. IN ASPHALT PAVEMENT, LOOPS SHOULD BE PLACED IN THE BINDER AND DIVESHOLES MARKED AT THE CURB WITH A SAW-CUT. THE SAW-CUT SHALL BE CUT IN ACCORDANCE WITH LOCAL AND E.P.A. DUST CONTROL REQUIREMENTS. DETECTOR LOOP(S) SHALL NOT BE INSTALLED IN WET CONDITIONS AND THE SAW-CUTS MUST BE FREE OF DEBRIS AND RESIDUE SUCH AS DUST AND WATER WHICH IS TO BE ACHIEVED BY THE USE OF COMPRESSED AIR, WIRE BRUSHING AND HEAT DRYING ACCORDING TO SEALANT MANUFACTURER REQUIREMENTS. THE DETECTOR WIRE SHALL BE HELD IN PLACE BY THE USE OF FORM WEDGES. WEDGES SHALL BE SPACED NO MORE THAN 18" (450 mm) APART.
6. LOOP SPLICES SHALL BE SOLDERED USING A SOLDERING IRON. BLOW TORCHES OR OTHER DEVICES WHICH OXIDIZE COPPER CABLE SHALL NOT BE ALLOWED FOR SOLDERING OPERATIONS. SEE DETAIL BELOW RIGHT.
7. PREFORMED DETECTOR LOOPS SHALL BE USED, AS SHOWN ON THE PLANS, WHERE NEW CONCRETE PAVEMENT IS PROPOSED. THE INSTALLATION OF PREFORMED LOOPS SHALL BE IN ACCORDANCE WITH THE DISTRICT 1 SPECIFICATIONS OR AS DIRECTED BY THE ENGINEER.

LOOP LEAD-IN CABLE TAG

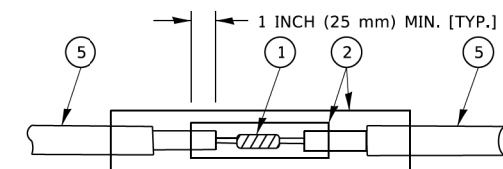


- A. LANE 1 IS THE LANE CLOSEST TO THE CENTERLINE OF THE ROADWAY
- B. LOOP #1 IS THE LOOP IN THE LANE CLOSEST TO THE INTERSECTION.
- C. LABEL LOOP CABLE "IN" OR LOOP CABLE "OUT".
- D. LABEL LOOP CABLE CLOCKWISE OR LOOP CABLE COUNTERCLOCKWISE.

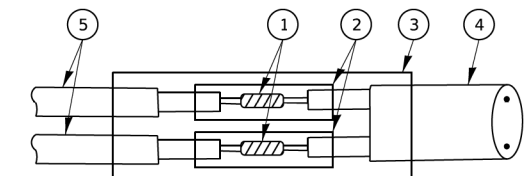


DETECTOR LOOP WIRING SCHEMATIC

- LOOPS SHALL BE SPLICED IN SERIES. SAW-CUTS SHALL BE A MINIMUM WIDTH OF 5/16" (8 mm).
- SAW-CUT DEPTHS SHALL BE 3" (75 mm). IF IN CONCRETE,
- THE SAW-CUT DEPTH SHALL BE TO THE TOP OF THE REINFORCEMENT.
- LOOP CORNERS SHALL BE DRILLED WITH A 2" (50 mm) DIAMETER CORE.

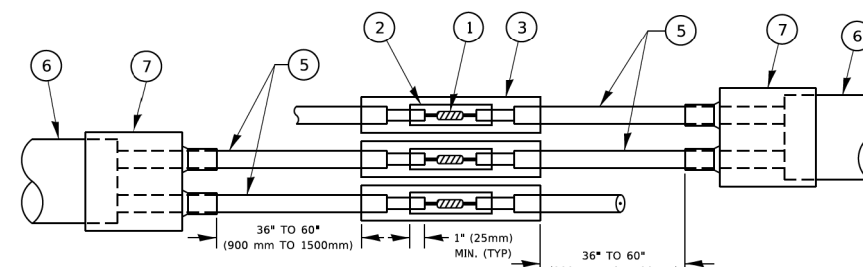


DETAIL "A"
LOOP-TO-LOOP SPLICE

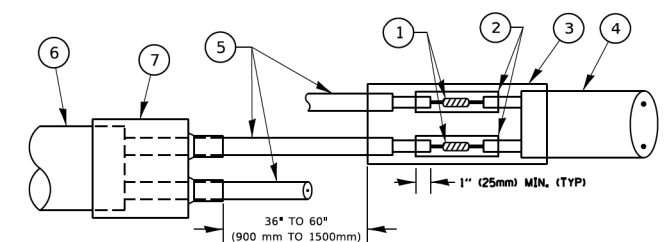


DETAIL "B"
LOOP-TO-CONTROLLER SPLICE

TYPE I LOOP



DETAIL "A"
LOOP-TO-LOOP SPLICE



DETAIL "B"
LOOP-TO-CONTROLLER SPLICE

PREFORMED LOOP

LOOP DETECTOR SPLICE

- 1 WESTERN UNION SPLICE SOLDERED WITH ROSIN CORE FLUX. ALL EXPOSED SURFACES OF THE SOLDER SHALL BE SMOOTH. THE WESTERN UNION SPLICES SHALL BE STAGGERED.
- 2 WCSMW 30/100 HEAT SHRINK TUBE, MINIMUM LENGTH 3" (75 mm), UNDERWATER GRADE.
- 3 WCS 200/750 HEAT SHRINK TUBE, MINIMUM LENGTH 6" (150 mm), UNDERWATER GRADE.
- 4 NO. 14 2/C TWISTED, SHIELDED CABLE.
- 5 LOOP CONDUCTOR WITH FLEXIBLE PLASTIC TUBE. PREFORMED LOOP
- 6 XL POLYOLEFIN 2 CONDUCTOR
- 7 BREAKOUT SEALS. TYCO CBR-2 OR APPROVED EQUAL

STATE OF ILLINOIS
DEPARTMENT OF TRANSPORTATION

DISTRICT ONE
STANDARD TRAFFIC SIGNAL DESIGN DETAILS

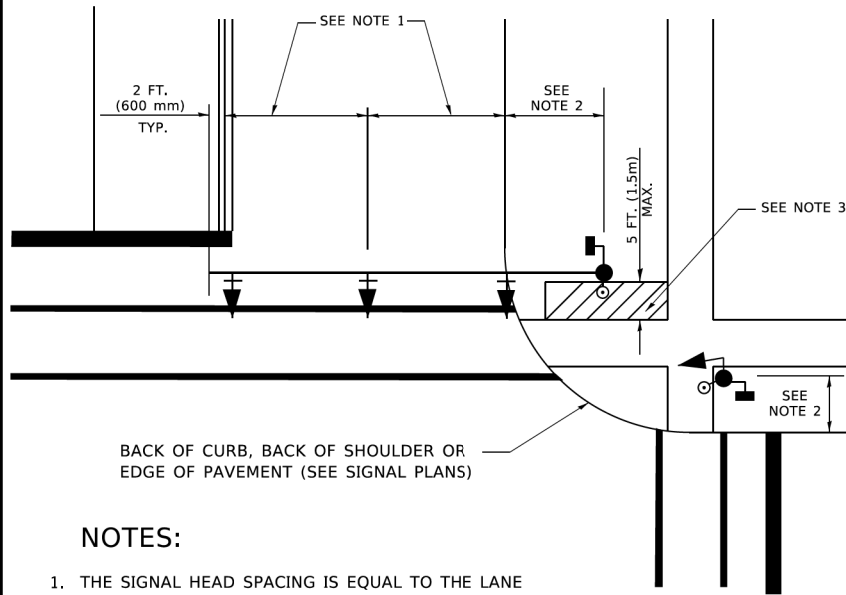
SCALE: NONE SHEET 2 OF 7 SHEETS STA. TO STA.

F.A.U. RTE.	SECTION	COUNTY	TOTAL SHEETS	SHEET NO.
2511	16-00086-01-FP	KANE	169	93
TS-05			CONTRACT NO.	
ILLINOIS FED. AID PROJECT				

MODEL: Default; FILE: \\miller.pwll.com\BENTON\TEC\Illinois\gov\WIDOT\Documents\DOT_Offices\District 1\Projects\Dist1\2012-21\CAD\DATA\CAD\sheet\ts05.dgn

TRAFFIC SIGNAL MAST ARM AND SIGNAL POST

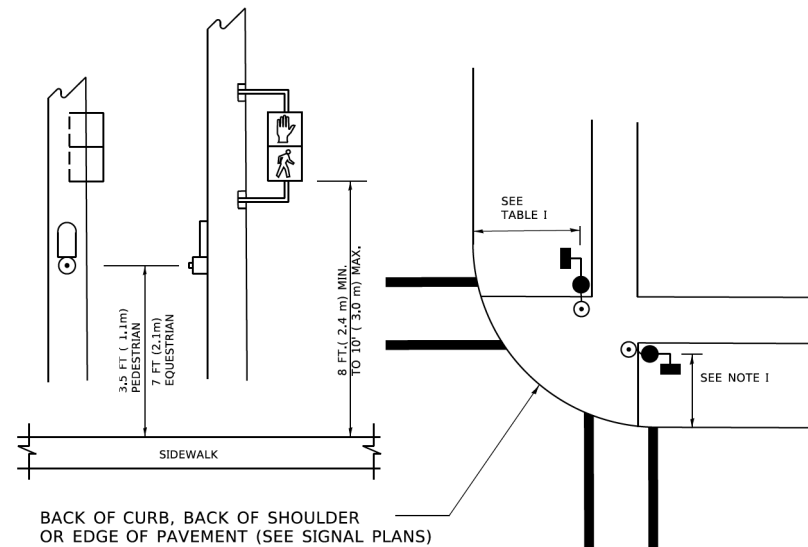
MAST ARM MOUNTED SIGNALS IN EXISTING, PROPOSED OR FUTURE SIDEWALK/BICYCLE PATH AREA. INTERSECTION SHOWN WITH PEDESTRIAN SIGNALS AND PEDESTRIAN PUSHBUTTON DETECTORS.



NOTES:

1. THE SIGNAL HEAD SPACING IS EQUAL TO THE LANE WIDTH OR AS SHOWN ON THE TRAFFIC SIGNAL PLAN.
2. REFER TO THE TRAFFIC SIGNAL EQUIPMENT OFFSET TABLE.
3. PROVIDE A LEVEL ALL-WEATHER SURFACE (CONCRETE SIDEWALK, ASPHALT BICYCLE PATH SURFACE OR MATCHING MATERIAL TO THE ADJACENT SURFACE) UP TO THE MAST ARM SHAFT OR THE SIGNAL POST.
4. THE FACE OF THE PEDESTRIAN PUSHBUTTON SHALL BE PARALLEL TO THE CROSSWALK TO BE USED.
5. THE LOCATIONS AND INSTALLATION OF PEDESTRIAN SIGNAL HEADS AND PEDESTRIAN PUSHBUTTONS SHALL MEET THE REQUIREMENTS OF THE MUTCD AND INFORMATION FOUND IN THE "AMERICANS WITH DISABILITIES ACT ACCESSIBILITY GUIDELINES FOR BUILDINGS AND FACILITIES."

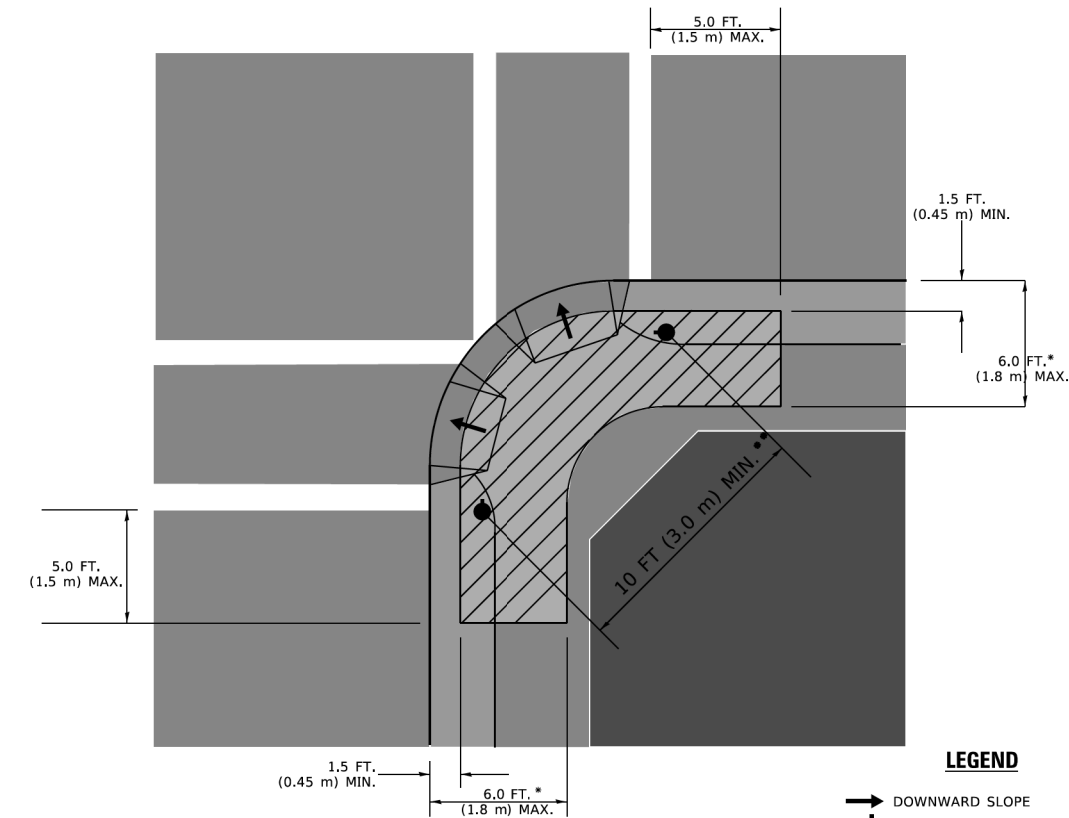
PEDESTRIAN SIGNAL POST AND PEDESTRIAN PUSH BUTTON POST



NOTES:

1. REFER TO THE TRAFFIC SIGNAL EQUIPMENT OFFSET TABLE.
2. PROVIDE A LEVEL ALL-WEATHER SURFACE (CONCRETE SIDEWALK, ASPHALT BICYCLE PATH SURFACE OR MATCHING MATERIAL TO THE ADJACENT SURFACE) UP TO THE PEDESTRIAN SIGNAL POST OR THE PEDESTRIAN PUSH BUTTON POST.
3. THE FACE OF THE PEDESTRIAN PUSHBUTTON SHALL BE PARALLEL TO THE CROSSWALK TO BE USED.
4. THE LOCATIONS AND INSTALLATION OF PEDESTRIAN SIGNAL HEADS AND PEDESTRIAN PUSHBUTTONS SHALL MEET THE REQUIREMENTS OF THE MUTCD AND INFORMATION FOUND IN THE "AMERICANS WITH DISABILITIES ACT ACCESSIBILITY GUIDELINES FOR BUILDINGS AND FACILITIES."

RECOMMENDED PUSHBUTTON LOCATIONS



LEGEND

- DOWNWARD SLOPE
- PEDESTRIAN PUSHBUTTON
- RECOMMENDED PUSHBUTTON LOCATIONS

- * WHERE THERE ARE CONSTRAINTS THAT MAKE IT IMPRACTICAL TO PLACE THE PEDESTRIAN PUSHBUTTON BETWEEN 1.5 FT (0.45 m) AND 6 FT (1.8 m) FROM THE EDGE OF THE CURB, SHOULDER, OR PAVEMENT, IT SHOULD NOT BE FURTHER THAN 10 FT (3 m) FROM THE EDGE OF CURB, SHOULDER, OR PAVEMENT.
- ** WHERE THERE ARE CONSTRAINTS ON A PARTICULAR CORNER THAT MAKE IT IMPRACTICAL TO PROVIDE THE 10 FT (3 m) SEPERATION BETWEEN THE TWO PEDESTRIAN PUSHBUTTONS, THE PUSHBUTTONS MAY BE PLACED CLOSER TOGETHER OR ON THE SAME POLE.

NOTES:

1. PEDESTRIAN SIGNAL HEADS SHALL BE MOUNTED WITH THE BOTTOM OF THE SIGNAL HOUSING INCLUDING BRACKETS NOT LESS THAN 8 FT (2.4 m) OR MORE THAN 10 FT (3 m) ABOVE SIDEWALK LEVEL, AND SHALL BE POSITIONED AND ADJUSTED TO PROVIDE MAXIMUM VISIBILITY AT THE BEGINNING OF THE CONTROLLED CROSSWALK.
2. THE BOTTOM OF THE SIGNAL HOUSING (INCLUDING BRACKETS) OF A VEHICULAR SIGNAL FACE THAT IS NOT LOCATED OVER A HIGHWAY SHALL BE AT LEAST 8 FT (2.4 m) BUT NOT MORE THAN 19 FT (5.8 m) ABOVE THE SIDEWALK OR, IF THERE IS NO SIDEWALK, ABOVE THE PAVEMENT GRADE AT THE CENTER OF THE ROADWAY.
3. THE BOTTOM OF THE SIGNAL HOUSING AND ANY RELATED ATTACHMENTS TO A SIGNAL FACE LOCATED OVER ANY PORTION OF A HIGHWAY SHALL BE ACCORDING TO CURRENT STATE STANDARDS 877001, 877002, 877006, 877011 AND 877012 WITH A MINIMUM OF 16 FT (5.0 m) AND A MAXIMUM OF 18 FT. (5.5 m) FROM THE HIGHEST POINT OF PAVEMENT.
4. THE BOTTOM OF THE TEMPORARY SPAN WIRE MOUNTED SIGNAL HOUSING AND ANY RELATED ATTACHMENTS TO A SIGNAL FACE LOCATED OVER ANY PORTION OF A HIGHWAY SHALL BE ACCORDING TO CURRENT STATE STANDARD 880001 WITH A MINIMUM OF 17 FT (5.18 m) FROM THE HIGHEST POINT OF PAVEMENT.
5. THE TOP OF THE SIGNAL HOUSING OF A SIGNAL FACE LOCATED OVER ANY PORTION OF A HIGHWAY SHALL NOT BE MORE THAN 25.6 FT (7.8 m) ABOVE THE PAVEMENT.

TRAFFIC SIGNAL EQUIPMENT OFFSET

TRAFFIC SIGNAL EQUIPMENT	COMBINATION CONCRETE CURB AND GUTTER (MINIMUM DISTANCE FROM BACK OF CURB TO CENTERLINE OF FOUNDATION)	SHOULDER/NON-CURBED AREA (MINIMUM DISTANCE FROM EDGE OF PAVEMENT TO CENTERLINE OF FOUNDATION)
TRAFFIC SIGNAL MAST ARM POLE	6 FT (1.8m)	SHOULDER WIDTH + 2 FT (0.5m), MINIMUM 10 FT (3.0m)
TRAFFIC SIGNAL POST	4 FT (1.2m)	SHOULDER WIDTH + 2 FT (0.5m), MINIMUM 10 FT (3.0m)
PEDESTRIAN SIGNAL POST	4 FT (1.2m)	SHOULDER WIDTH + 2 FT (0.5m), MINIMUM 10 FT (3.0m)
PEDESTRIAN PUSHBUTTON POST	4 FT (1.2m)	SHOULDER WIDTH + 2 FT (0.5m), MINIMUM 10 FT (3.0m)
TEMPORARY WOOD POLE	6 FT (1.8m)	SHOULDER WIDTH + 2 FT (0.5m), MINIMUM 10 FT (3.0m)
CONTROLLER CABINET	6 FT (1.8m) MINIMUM DISTANCE SEE NOTE 2	SHOULDER WIDTH + 6 FT (1.3m), MINIMUM 16 FT (4.9m) SEE NOTE 3.
SERVICE INSTALLATION, GROUND MOUNT	6 FT (1.8m) MINIMUM DISTANCE SEE NOTE 2	SHOULDER WIDTH + 6 FT (1.3m), MINIMUM 16 FT (4.9m) SEE NOTE 3.

NOTES:

1. CONTACT THE "AREA TRAFFIC SIGNAL MAINTENANCE AND OPERATIONS ENGINEER" FOR ASSISTANCE IN LOCATING THE TRAFFIC SIGNAL EQUIPMENT WHEN THERE ARE CONFLICTS WITH DITCHES OR THE MINIMUM OFFSET DISTANCES CANNOT BE MET.
2. MINIMUM DISTANCE FROM THE BACK OF CURB TO THE ROADWAY SIDE OF THE FOUNDATION.
3. MINIMUM DISTANCE FROM THE EDGE OF PAVEMENT TO THE ROADWAY SIDE OF THE FOUNDATION.
4. ANY CHANGES TO THE OFFSETS OF THE FOUNDATIONS, FROM THE MINIMUM DISTANCES LISTED IN THE "TRAFFIC SIGNAL EQUIPMENT OFFSET" CHART AND THE TRAFFIC SIGNAL INSTALLATION PLAN, COULD EFFECT THE PLACEMENT OF THE SIGNAL HEADS, PEDESTRIAN SIGNAL HEADS AND THE PEDESTRIAN PUSHBUTTONS. THE SIGNAL HEAD PLACEMENT ON THE MAST ARMS SHALL REMAIN AS PER THE TRAFFIC SIGNAL INSTALLATION PLAN AND THE "TRAFFIC SIGNAL MAST ARM AND SIGNAL POST" DETAIL ABOVE. THE PROPOSED MAST ARM LENGTHS MAY NEED TO BE REVISED TO MEET THE ABOVE REQUIREMENTS. THE PEDESTRIAN SIGNAL HEADS AND PEDESTRIAN PUSHBUTTONS MUST MEET THE REQUIREMENTS UNDER THE DETAILS ON THIS SHEET.

MODEL: Default; FILE: \\miller\0484EB\ID\TEC\Illinois\gov\p\WIDOT\Documents\DOT_Offices\District 1\Projects\Dist502\23-24\CADD\Detail\CD\sheet1505.dgn

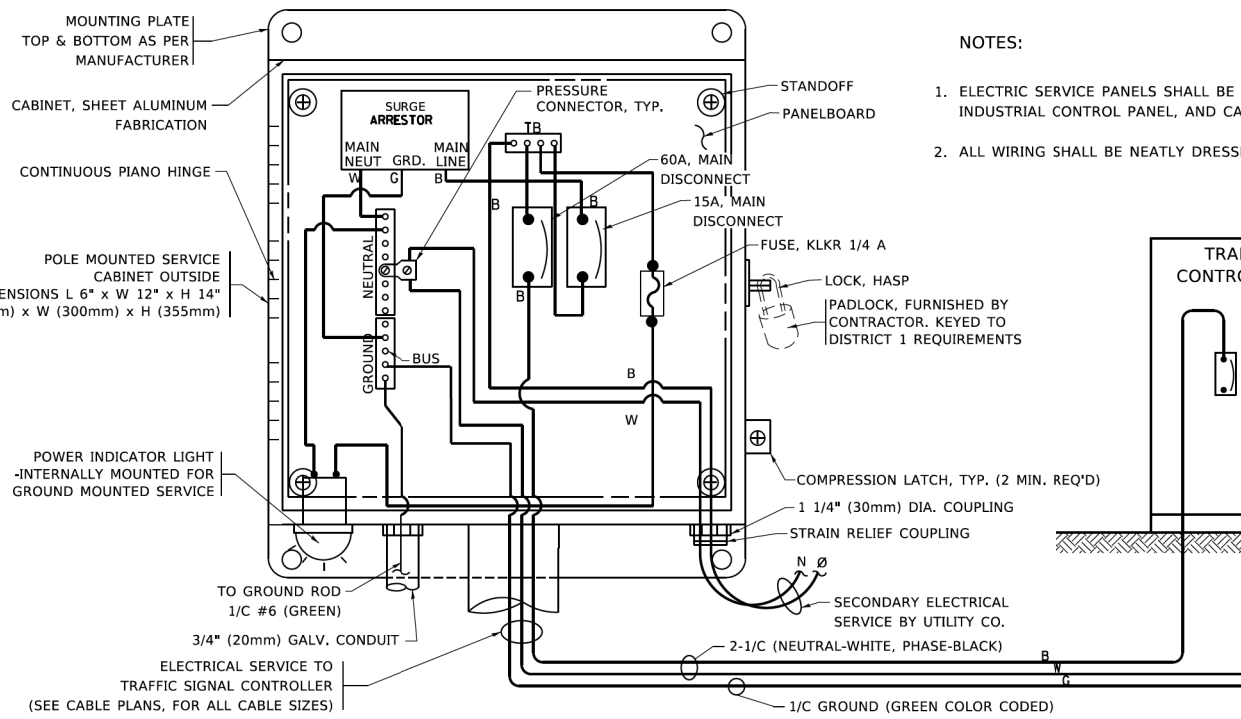
USER NAME = footemj	DESIGNED -	REVISED -
	DRAWN -	REVISED -
PLOT SCALE = 50,0000 ' / ft.	CHECKED -	REVISED -
PLOT DATE = 3/4/2019	DATE -	REVISED -

**STATE OF ILLINOIS
DEPARTMENT OF TRANSPORTATION**

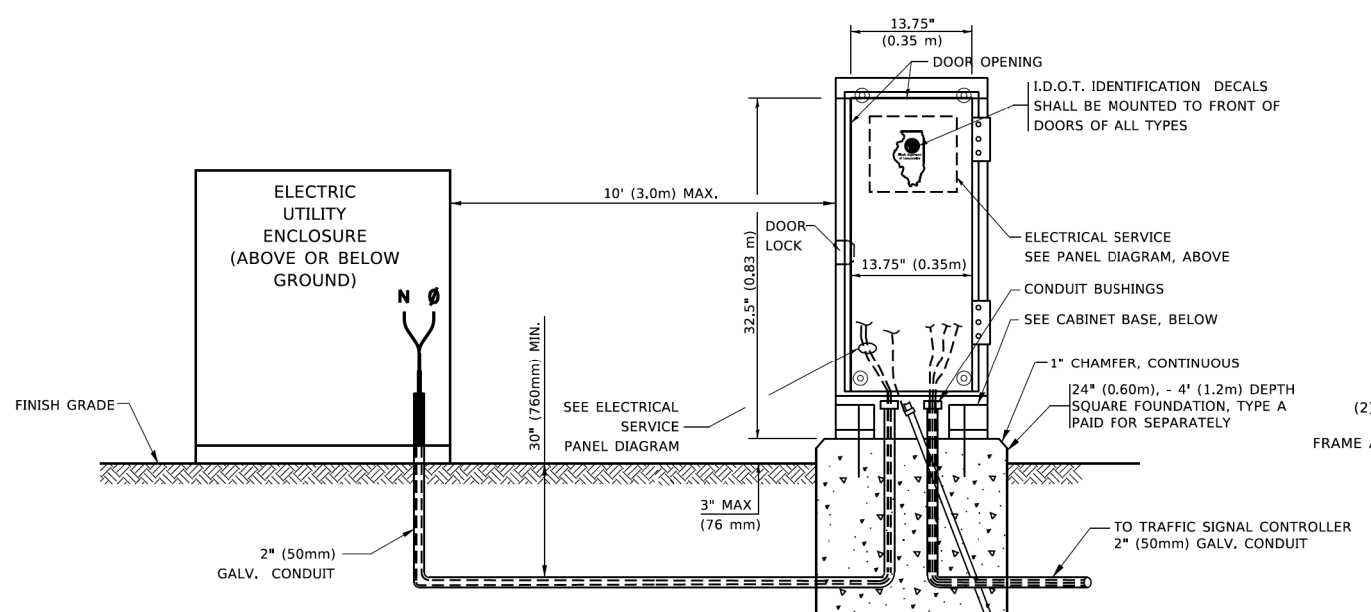
**DISTRICT ONE
STANDARD TRAFFIC SIGNAL DESIGN DETAILS**

SCALE: NONE SHEET 3 OF 7 SHEETS STA. TO STA.

F.A.U. RTE.	SECTION	COUNTY	TOTAL SHEETS	SHEET NO.
2511	16-00088-01-FP	KANE	169	94
TS-05		CONTRACT NO.		
ILLINOIS FED. AID PROJECT				

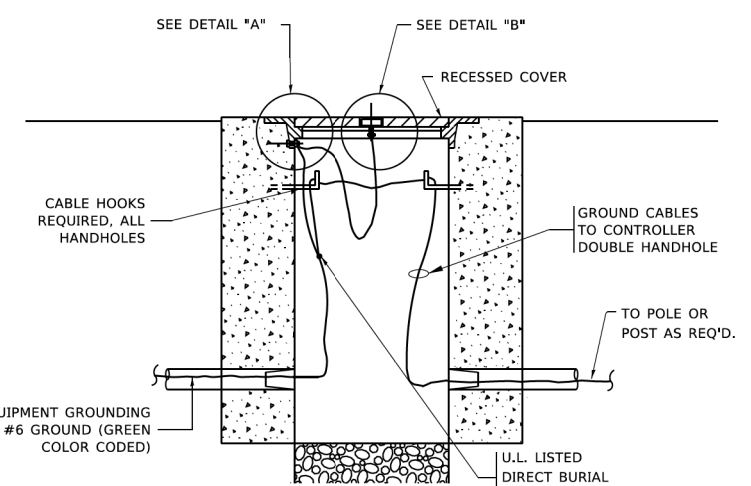
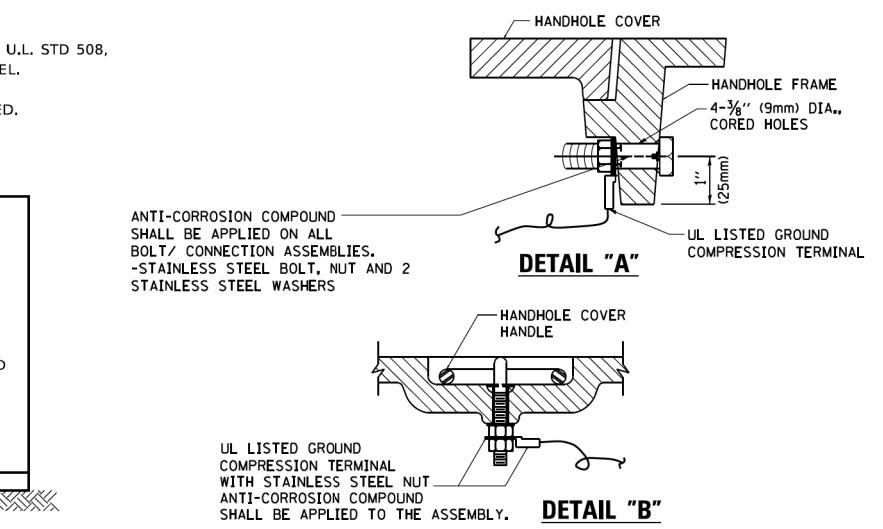
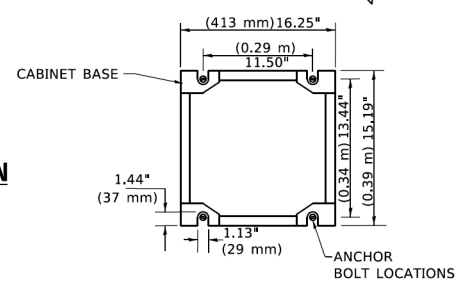


ELECTRICAL SERVICE - PANEL DIAGRAM (TYPICAL FOR POLE AND GROUND MOUNTED SERVICE)
SERVICE INSTALLATION POLE MOUNT (SHOWN)
 (NOT TO SCALE)

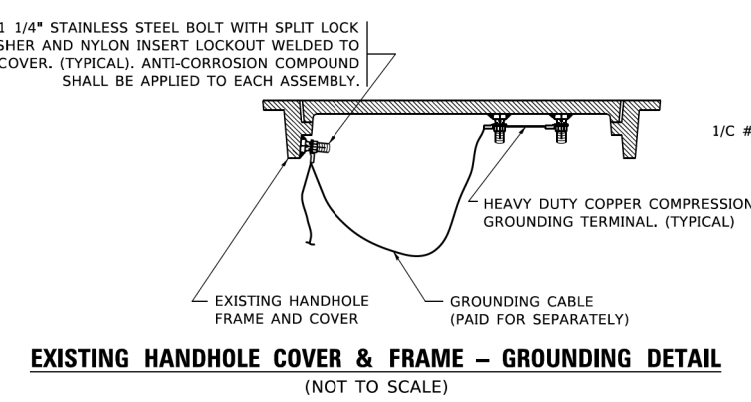


SERVICE INSTALLATION GROUND MOUNT
 (NOT TO SCALE)

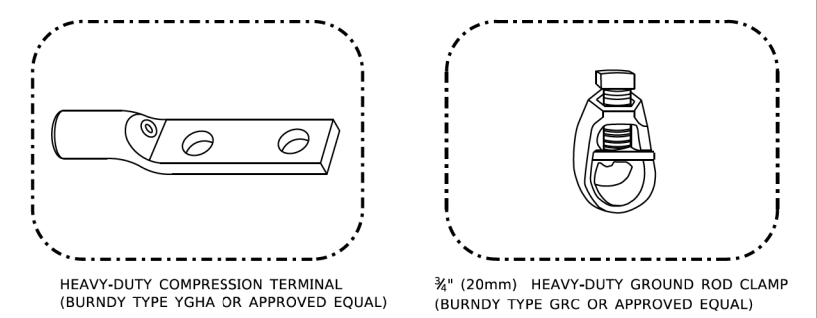
CABINET - BASE BOLT PATTERN
 (NOT TO SCALE)



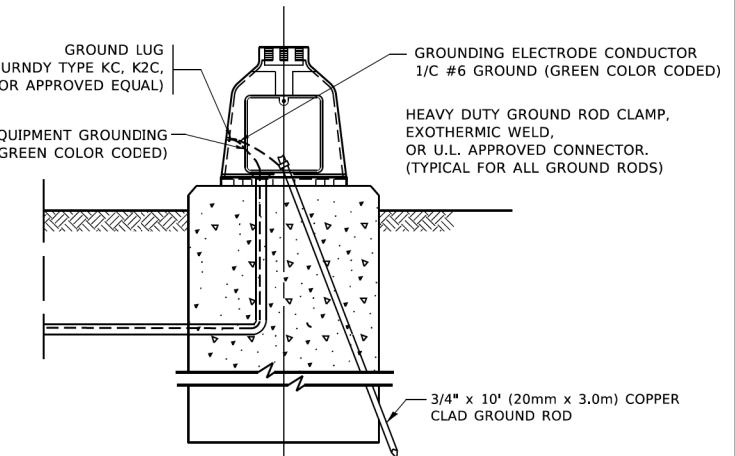
HANDHOLE COVER & FRAME - GROUNDING DETAIL
 (NOT TO SCALE)



EXISTING HANDHOLE COVER & FRAME - GROUNDING DETAIL
 (NOT TO SCALE)



- NOTES:**
- ALL CLAMPS SHALL BE BRONZE OR COPPER, UL APPROVED.
 - GROUND CABLE SHALL BE LOOPED OVER HOOKS IN THE HANDHOLES
 - 6.5' (2.0m) SLACK SHALL BE PROVIDED IN SINGLE HANDHOLES
 - 13' (4.0m) OF SLACK SHALL BE PROVIDED IN DOUBLE HANDHOLES.
 - 5' (1.4m) OF SLACK SHALL BE PROVIDED BETWEEN FRAME AND COVER.



MAST ARM POLE /POST-GROUNDING DETAIL
 (NOT TO SCALE)

NOTES:
GROUNDING SYSTEM

1. THE GROUNDING SYSTEM SHALL CONSIST OF AN INSULATED CONDUCTOR TYPE XLP, NO. 6 A.W.G., STRANDED COPPER TO BE INSTALLED IN RACEWAYS. THE GROUNDING CABLE SHALL BE INSTALLED IN A CONTINUOUS MANNER AS SHOWN ON THE CABLE PLAN PROVIDED. ALL GROUNDING CONDUCTORS SHALL BE BONDED TO METAL ENCLOSURE (HANDHOLE, POST, MAST ARM, CONTROLLER, ETC.). GROUND ROD SHALL BE 3/4" DIA. x 10'-0" (20mm x 3.0m) LONG, COPPER CLAD. ONE GROUND ROD SHALL BE INSTALLED AT ALL POST FOUNDATIONS, POLE FOUNDATIONS, CONTROLLER CABINET FOUNDATION AND ELECTRICAL SERVICE INSTALLATION AS INDICATED ON THE CABLE PLAN. IF THERE ARE ANY SPECIAL CONDITIONS SUCH AS SUB-SURFACE CONDITIONS OR INSTALLATION PROBLEMS, THE RESIDENT ENGINEER SHALL BE NOTIFIED OR CONTACT THE BUREAU OF TRAFFIC, ILLINOIS DEPARTMENT OF TRANSPORTATION DISTRICT ONE AT (847) 705-4139.
2. THE NEUTRAL CONDUCTOR AND THE GROUND CONDUCTOR SHALL BE CONNECTED IN THE SERVICE INSTALLATION. AT NO OTHER POINT IN THE TRAFFIC SIGNAL SYSTEM SHALL THE NEUTRAL AND GROUND CONDUCTORS BE CONNECTED.
3. ALL EQUIPMENT GROUNDING CONDUCTORS SHALL TERMINATE AT THE GROUND BUS IN THE CONTROLLER CABINET.
4. THE CONTRACTOR SHALL PROVIDE A GROUND CABLE WITH CONNECTORS BETWEEN THE HANDHOLE COVER AND HANDHOLE FRAME.

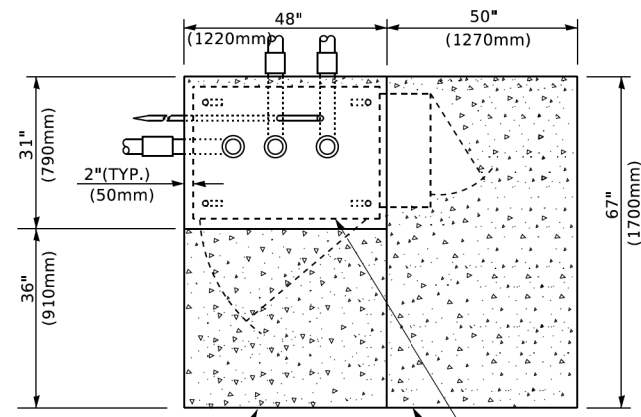
MODEL: Default
 FILE NAME: p:\110847E\BID\NTEC\Illinois.gov\PWIDOT\Documents\DOT_Offices\District 1\Projects\Dist1\22-23\CAD\Dist1\CAD\sheet1505.dgn

USER NAME = footemj	DESIGNED -	REVISED -
	DRAWN -	REVISED -
PLOT SCALE = 50,0000 ' / ft.	CHECKED -	REVISED -
PLOT DATE = 3/4/2019	DATE -	REVISED -

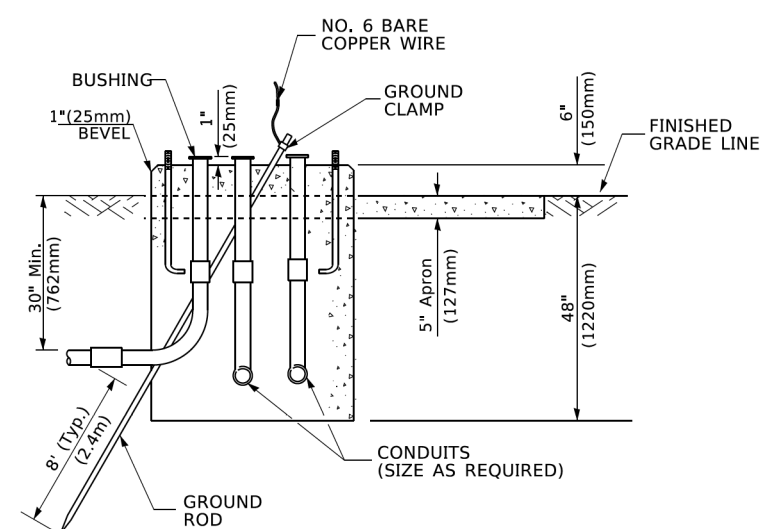
STATE OF ILLINOIS
DEPARTMENT OF TRANSPORTATION

DISTRICT ONE			
STANDARD TRAFFIC SIGNAL DESIGN DETAILS			
SCALE: NONE	SHEET 4	OF 7 SHEETS	STA. TO STA.

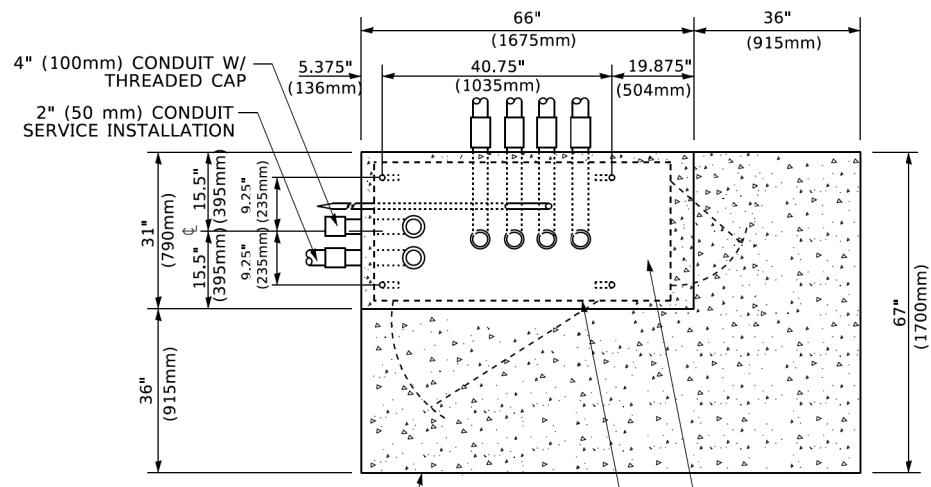
F.A.U. RTE.	SECTION	COUNTY	TOTAL SHEETS	SHEET NO.
2511	16-00088-01-FP	KANE	169	95
TS-05			CONTRACT NO.	
ILLINOIS / FED. AID PROJECT				



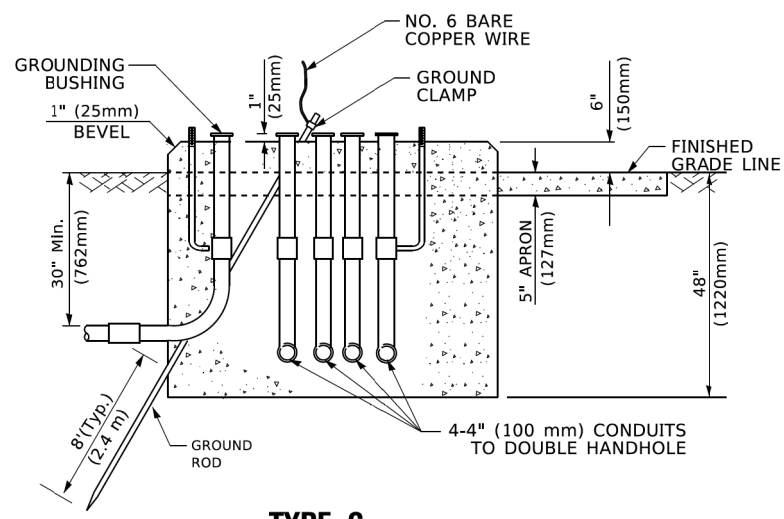
TOP VIEW



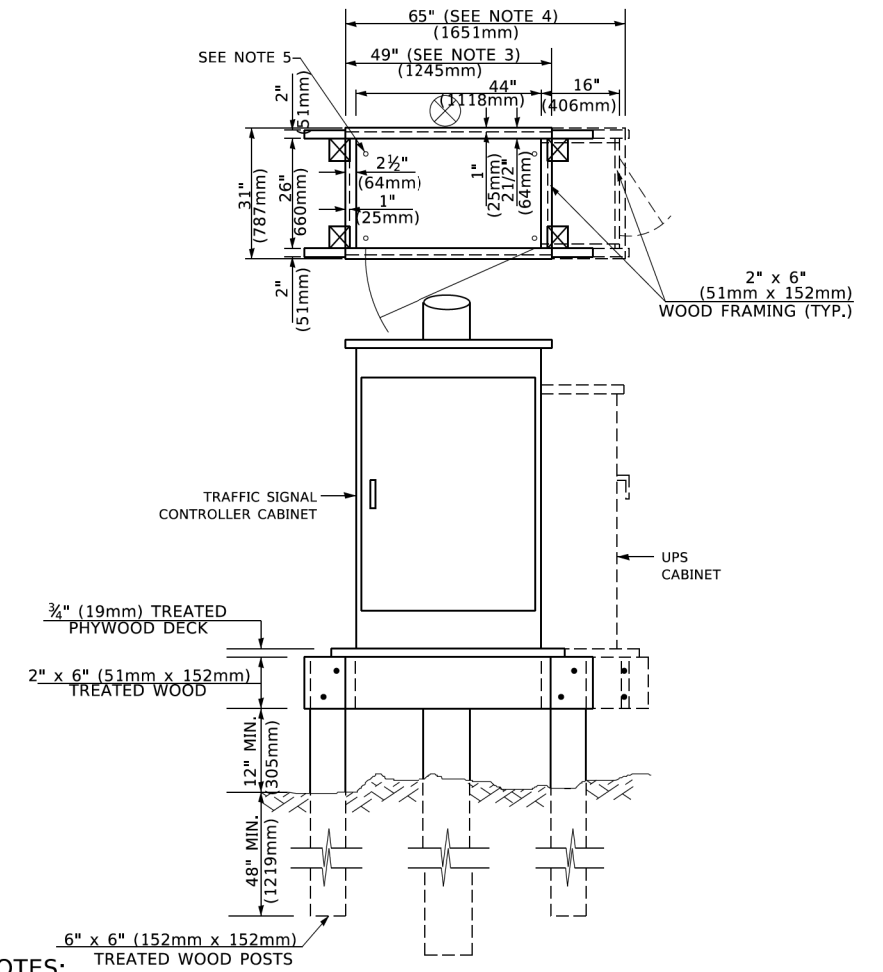
**TYPE D
FOR GROUND MOUNTED
CONTROLLER CABINET
AND UPS BATTERY CABINET**



TOP VIEW



**TYPE C
FOR GROUND MOUNTED
SUPER P (TYPE IV) AND SUPER R (TYPE V)
CONTROLLER CABINETS**



NOTES:

1. BASED ON CONTROLLER CABINET TYPE IV WITH BASE DIMENSIONS OF 26" x 44" (660mm x 1118mm). ADJUST PLATFORM SIZE TO FIT CABINET BASE DIMENSIONS BEING SUPPLIED.
2. BASED ON UNINTERRUPTIBLE POWER SUPPLY CABINET WITH BASE DIMENSIONS OF 16" x 25" (406mm x 635mm). ADJUST PLATFORM SIZE TO FIT CABINET BASE DIMENSIONS BEING SUPPLIED.
3. PLATFORM SIZE FOR CONTROLLER CABINET TYPE IV.
4. PLATFORM SIZE FOR CONTROLLER CABINET TYPE IV AND UNINTERRUPTIBLE POWER SUPPLY CABINET.
5. DRILLED HOLES THROUGH THE PLATFORM BASE TO MATCH THE CONTROLLER CABINET BOLT TEMPLATE. FASTEN THE CONTROLLER CABINET TO THE PLATFORM WITH CARRIAGE BOLTS, WASHERS AND NUTS.
6. FASTEN ALL SUPPORT WOOD FRAMING TO THE WOOD POSTS WITH 2 LAG SCREWS FOR EACH CONNECTION..

**TEMPORARY SIGNAL CONTROLLER
WOOD SUPPORT PLATFORM**

CABLE SLACK LENGTH	FEET	METER
HANDHOLE	6.5	2.0
DOUBLE HANDHOLE	13.0	4.0
SIGNAL POST	2.0	0.6
MAST ARM	2.0	0.6
CONTROLLER CABINET	1.5	0.5
FIBER OPTIC AT CABINET	13.0	4.0
ELECTRIC SERVICE AT (CABINET OR SERVICE LOCATION)	1.5	0.5
GROUND CABLE (SIGNAL POST, MAST ARM, CABINET)	1.5	0.5
GROUND CABLE (BETWEEN FRAME AND COVER)	5.0	1.6

CABLE SLACK

VERTICAL CABLE LENGTH	FEET	METER
MAST ARM POLE (MAST ARM MOUNTED SIGNAL HEAD) (L = MAST ARM LENGTH - DISTANCE TO SIGNAL HEAD FROM END OF ARM)	20.0+L	6.0+L
BRACKET MOUNTED (MAST ARM POLE OR SIGNAL POLE)	13.0	4.0
PEDESTRIAN PUSH BUTTON	6.0	2.0
SERVICE INSTALLATION POLE MOUNT TO SERVICE DROP	13.5	4.1
SERVICE INSTALLATION POLE MOUNT TO GROUND	13.5	4.1
SERVICE INSTALLATION GROUND MOUNT	6.0	2.0
FOUNDATION (SIGNAL POST, MAST ARM POLE, CONTROLLER CABINET, SERVICE-GROUND MOUNT)	3.0	1.0

VERTICAL CABLE LENGTH

FOUNDATION	DEPTH
TYPE A - Signal Post	4'-0" (1.2m)
TYPE C - CONTROLLER W/ UPS	4'-0" (1.2m)
TYPE D - CONTROLLER	4'-0" (1.2m)
SERVICE INSTALLATION, GROUND MOUNT, TYPE A - SQUARE	4'-0" (1.2m)

DEPTH OF FOUNDATION

MAST ARM LENGTH	① FOUNDATION DEPTH	FOUNDATION DIAMETER	SPIRAL DIAMETER	QUANTITY OF REBARS	SIZE OF REBARS
Less than 30' (9.1 m)	10'-0" (3.0 m)	30" (750mm)	24" (600mm)	8	6(19)
Greater than or equal to 30' (9.1 m) and less than 40' (12.2 m)	13'-6" (4.1 m)	30" (750mm)	24" (600mm)	8	6(19)
Greater than or equal to 40' (12.2 m) and less than 50' (15.2 m)	11'-0" (3.4 m)	36" (900mm)	30" (750mm)	12	7(22)
Greater than or equal to 50' (15.2 m) and up to 55' (16.8 m)	13'-0" (4.0 m)	36" (900mm)	30" (750mm)	12	7(22)
Greater than or equal to 55' (16.8 m) and up to 65' (19.8 m)	15'-0" (4.6 m)	36" (900mm)	30" (750mm)	12	7(22)
Greater than or equal to 65' (19.8 m) and less than 75' (22.9 m)	21'-0" (6.4 m)	42" (1060mm)	36" (900mm)	16	8(25)
Greater than or equal to 75' (22.9 m)	25'-0" (7.6 m)	42" (1060mm)	36" (900mm)	16	8(25)

NOTES:

1. These foundation depths are for sites which have cohesive soils (clayey silt, sandy clay, etc.) along the length of the shaft, with an average Unconfined Compressive Strength (Qu) > 1.0 tsf (100 kpa). This strength shall be verified by boring data prior to construction or with testing by the Engineer during foundation drilling. The Bureau of Bridges & Structures should be contacted for a revised design if other conditions are encountered.
2. Combination mast arm assemblies under 55 feet (16.8 m) shall use 36" (900 mm) diameter foundations.
3. Combination mast arm assemblies under 56 feet (16.8 m) through 75 feet (22.9 m) shall use 42" (1060 mm) diameter foundations.
4. For mast arm assemblies with dual arms refer to state standard 878001..

DEPTH OF MAST ARM FOUNDATIONS, TYPE E

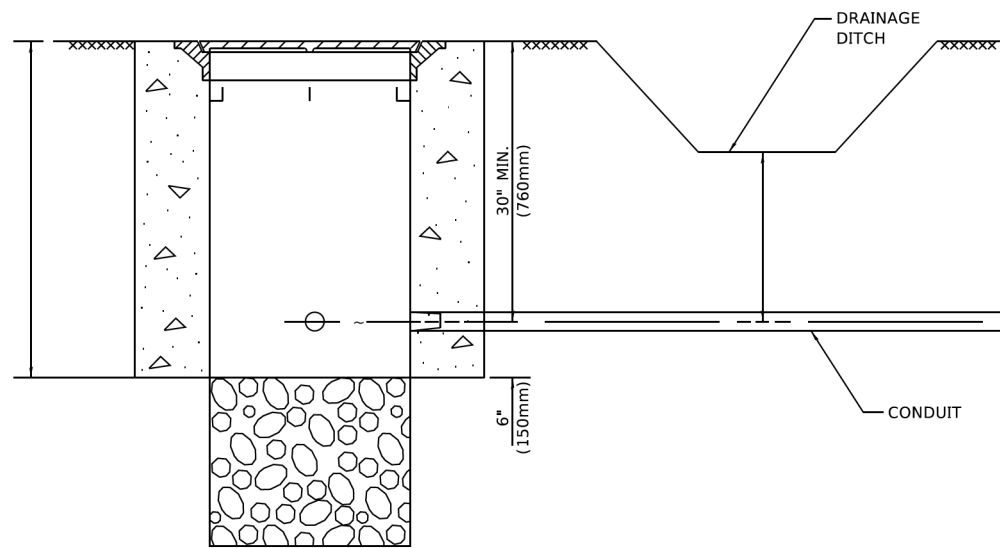
MODEL: Default; FILE: \\miller\pwworking\illinois\gov\pwworking\Documents\DOT_Offices\District 1\Projects\Dist1\2012\21-CAD\Drawings\CAD\sheet\ts05.dgn

USER NAME = footemj	DESIGNED -	REVISED -
	DRAWN -	REVISED -
PLOT SCALE = 50.0000' / 1"	CHECKED -	REVISED -
PLOT DATE = 3/4/2019	DATE -	REVISED -

**STATE OF ILLINOIS
DEPARTMENT OF TRANSPORTATION**

DISTRICT ONE			
STANDARD TRAFFIC SIGNAL DESIGN DETAILS			
SCALE: NONE	SHEET 5	OF 7 SHEETS	STA. TO STA.

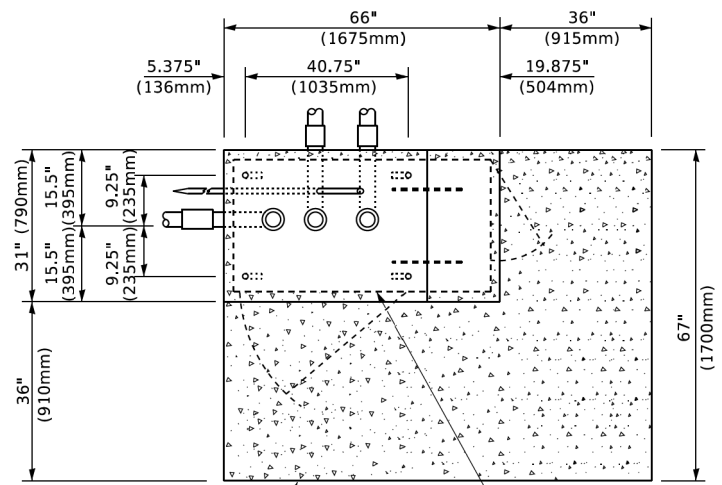
F.A.U. RTE. 2511	SECTION 16-00088-01-FP	COUNTY KANE	TOTAL SHEETS 169	SHEET NO. 96
TS-05		CONTRACT NO.		
ILLINOIS / FED. AID PROJECT				



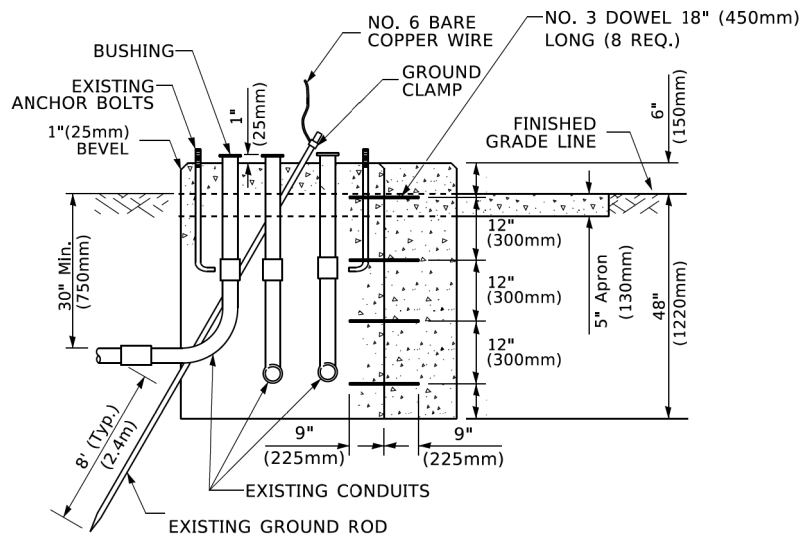
NOTES:

1. CONDUIT DEPTH SHALL BE A MINIMUM OF 30" (760mm) BELOW THE BOTTOM OF THE DRAINAGE DITCH OR ANY SLOPING GROUND
2. THE MINIMUM CONDUIT DEPTH APPLIES TO ALL CONDUIT PLACED UNDER ROADWAY PAVEMENT, MULTI-USE PATHS, SIDEWALKS AND SOIL SURFACES.
3. THE MINIMUM CONDUIT DEPTH APPLIES TO ALL HANDHOLES, HEAVY DUTY HANDHOLES AND DOUBLE HANDHOLES.

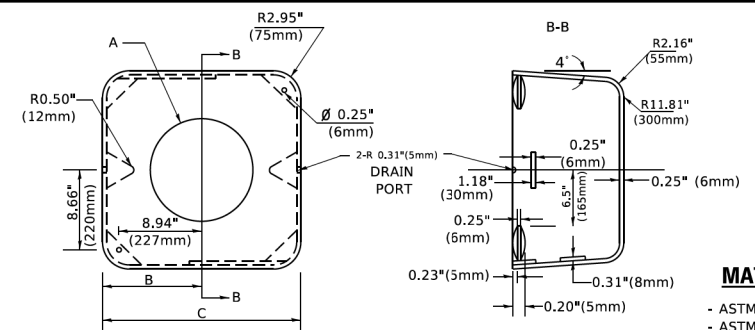
HANDHOLE WITH MINIMUM CONDUIT DEPTH
(NOT TO SCALE)



TOP VIEW
(NOT TO SCALE)



MODIFY EXISTING TYPE "D" FOUNDATION TO TYPE "C" FOUNDATION
(NOT TO SCALE)



MATERIAL
- ASTM A36 STEEL
- ASTM A-123 HOT DIPPED GALVANIZED

	A	B	C	HEIGHT	WEIGHT
VARIES	9.5"(241mm)	19"(483mm)	7" (178mm) - 12" (300mm)	53 lbs (24kg)	
VARIES	10.75"(273mm)	21.5"(546mm)	7" (178mm) - 12" (300mm)	68 lbs (31 kg)	
VARIES	13.0"(330mm)	26"(660mm)	7" (178mm) - 12" (300mm)	81 lbs (37 kg)	
VARIES	18.5"(470mm)	37"(940mm)	7" (178mm) - 12" (300mm)	126 lbs (57 kg)	

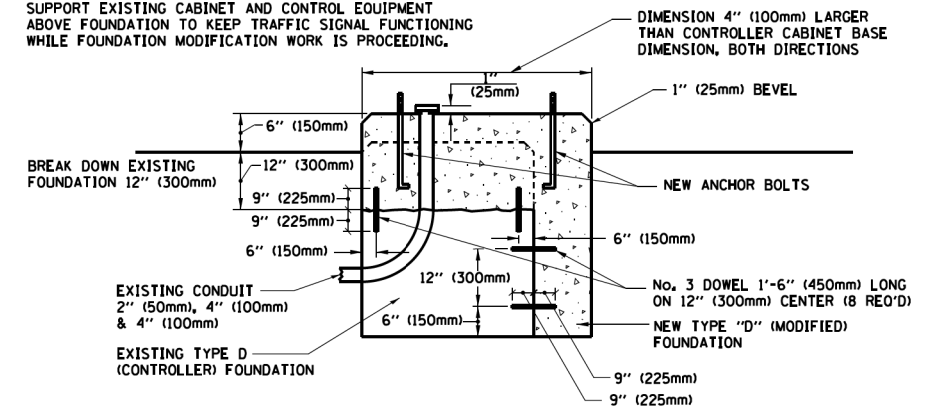
SHROUD

NOTES:

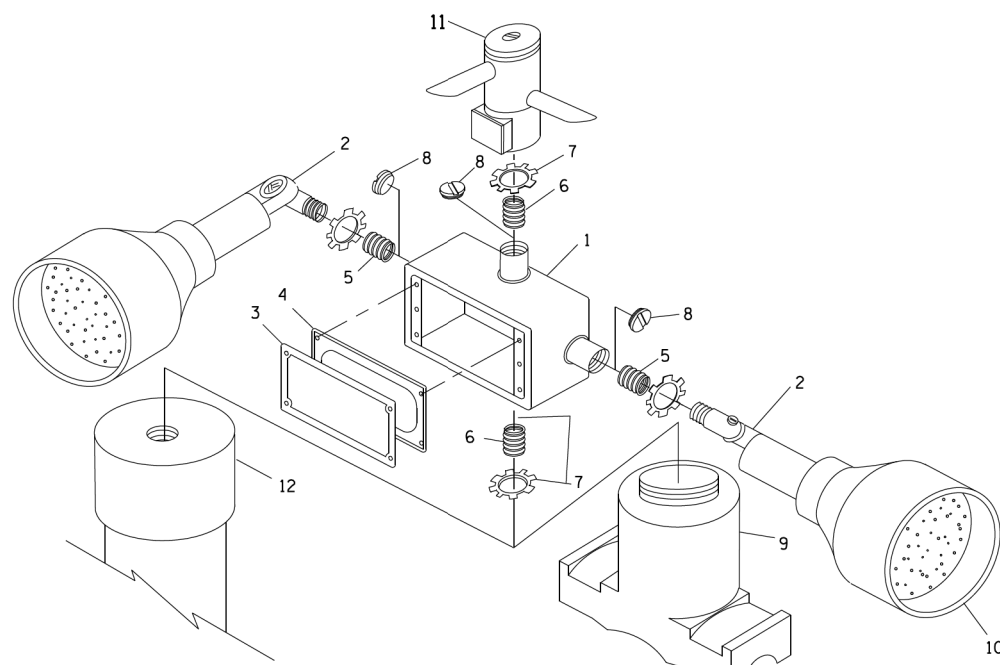
1. DIMENSION "A" IS EQUAL TO THE DIAMETER OF THE MAST ARM POLE AT THE TOP OF THE SHROUD. THE SHROUD SHALL BE TIGHT TO THE MAST ARM POLE.
2. THE SUPPLIER SHALL VERIFY THE ABOVE DIMENSIONS BASED ON MAST ARM REQUIREMENTS.
3. THE HEIGHT OF THE SHROUD SHALL COVER THE ANCHOR BOLTS, NUTS AND MAST ARM POLE BASE.

NOTE:

SUPPORT EXISTING CABINET AND CONTROL EQUIPMENT ABOVE FOUNDATION TO KEEP TRAFFIC SIGNAL FUNCTIONING WHILE FOUNDATION MODIFICATION WORK IS PROCEEDING.



MODIFY EXISTING TYPE "D" FOUNDATION



POST CAP MOUNT

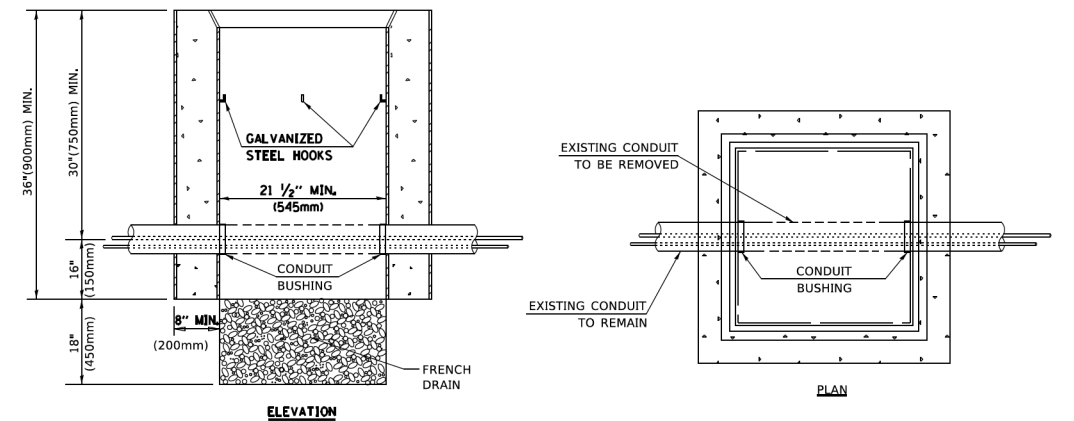
MAST ARM MOUNT

EMERGENCY VEHICLE DETECTOR WITH CONFIRMATION BEACON MOUNTING DETAIL

ITEM NO.	IDENTIFICATION
1	OUTLET BOX- GALV. 21 CU.IN. (0.000344 CU-M)
2	LAMP HOLDER AND COVER
3	OUTLET BOX COVER
4	RUBBER COVER GASKET
5	REDUCING BUSHING
6	3/4" (19 mm) CLOSE NIPPLE
7	3/4" (19 mm) LOCKNUT
8	3/4" (19 mm) HOLE PLUG
9	SADDLE BRACKET - GALV.
10	6 WATT PAR 38 LED FLOOD LAMP
11	DETECTOR UNIT
12	POST CAP [18 FT. (5.4 m) POST MIN.]

NOTES:

1. ALL ELECTRICAL ITEMS, EXCEPT ITEMS #2 AND #11 SHALL BE ALUMINUM OR GALVANIZED
2. ITEM #1- OZ/GEDNEY FSX-1-50 OR EQUIVALENT
ITEM #2- MULBERRY CON-O-SHADE LAMP SHIELD OR EQUIVALENT
ITEM #9- "BAND-IT" SADDLE BRACKET OR EQUIVALENT
3. WHEN POST MOUNTING IS SPECIFIED, ITEM #9 SHALL NOT BE REQUIRED. THE DETECTION UNIT SHALL BE MOUNTED DIRECTLY ON TOP OF THE CAP BY DRILLING AND TAPPING A 3/4 " (19 mm) HOLE WITH PIPE THREADS. THE POST CAP SHALL EITHER BE SCREWED TO THE TOP OF THE POST OR A MINIMUM OF 3 TIGHTENING SCREWS SHALL BE REQUIRED ON EACH CAP.



NOTES:

1. HANDHOLE CONSTRUCTED PER STATE STANDARD 814001.
2. REMOVAL OF THE EXISTING CONDUIT FROM THE HANDHOLE AND THE INSTALLATION OF THE CONDUIT BUSHINGS SHALL BE INCLUDED WITH THE COST OF THE HANDHOLE.

HANDHOLE TO INTERCEPT EXISTING CONDUIT

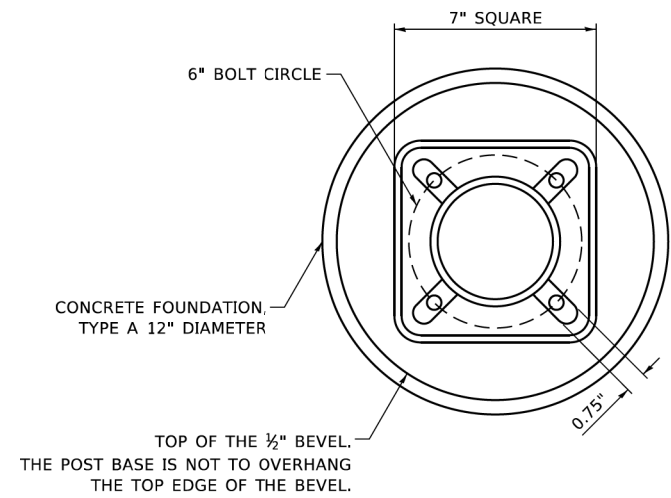
STATE OF ILLINOIS
DEPARTMENT OF TRANSPORTATION

DISTRICT ONE
STANDARD TRAFFIC SIGNAL DESIGN DETAILS

F.A.U. RTE.	SECTION	COUNTY	TOTAL SHEETS	SHEET NO.
2511	16-00088-01-FP	KANE	169	97

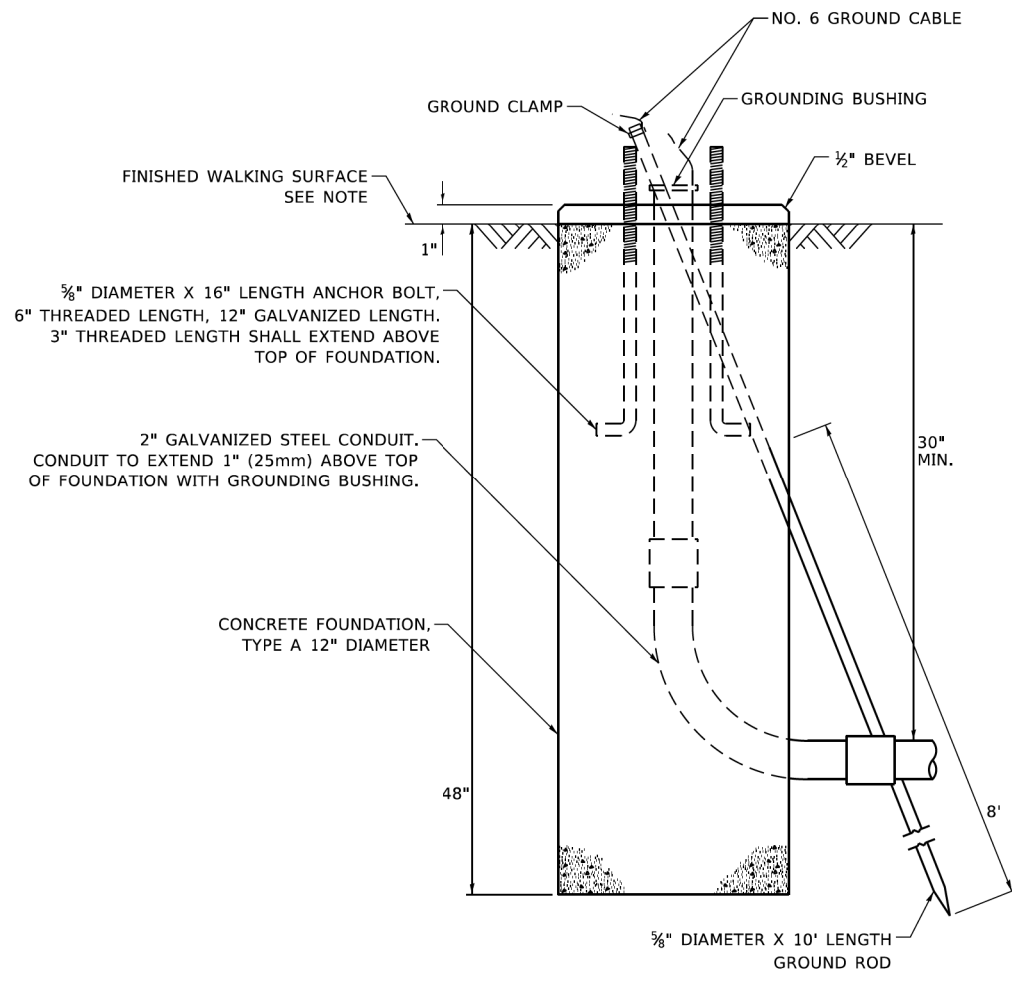
SCALE: NONE SHEET 6 OF 7 SHEETS STA. TO STA.

TS-05
ILLINOIS FED. AID PROJECT CONTRACT NO.

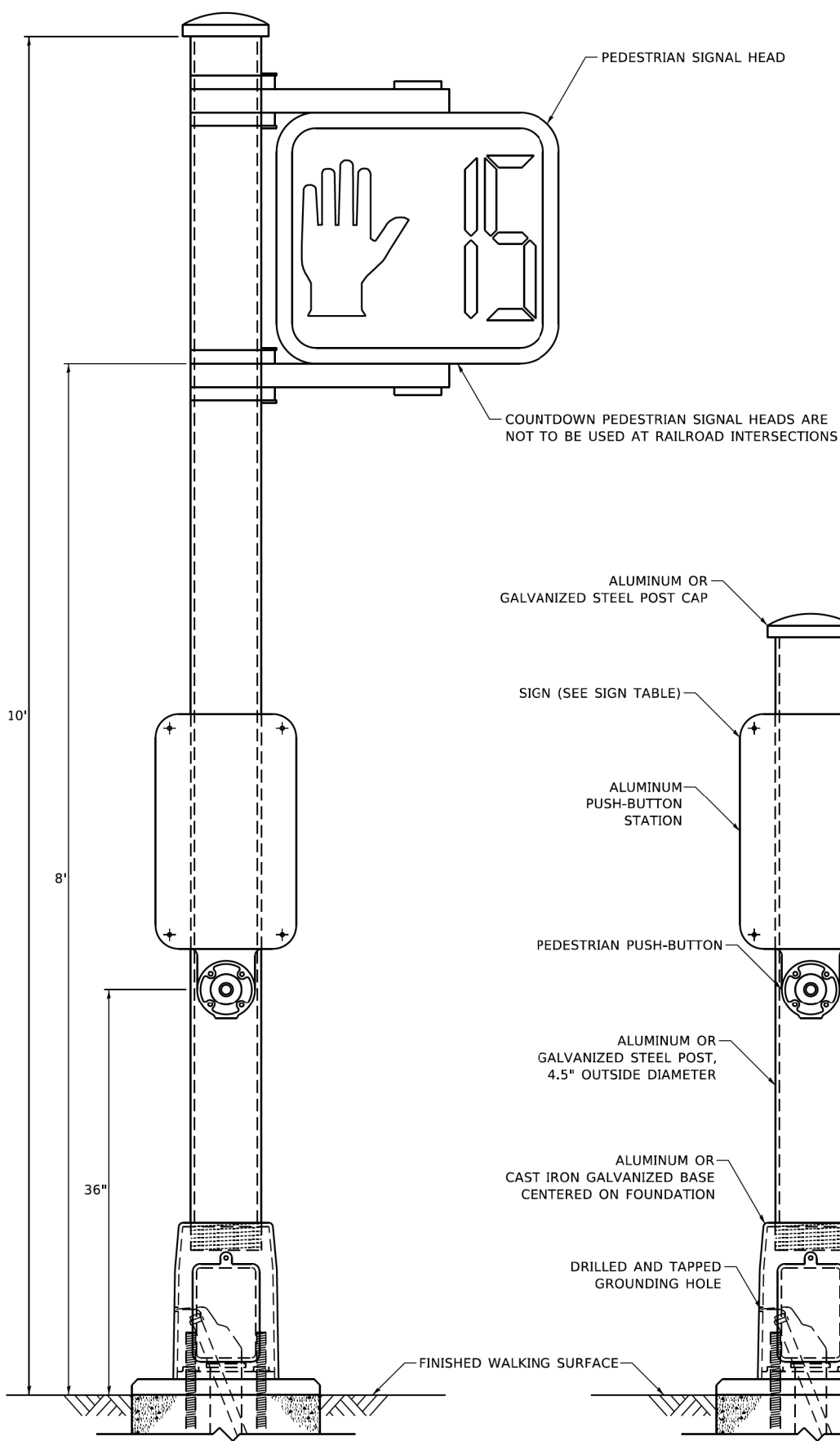


BOLT PATTERN

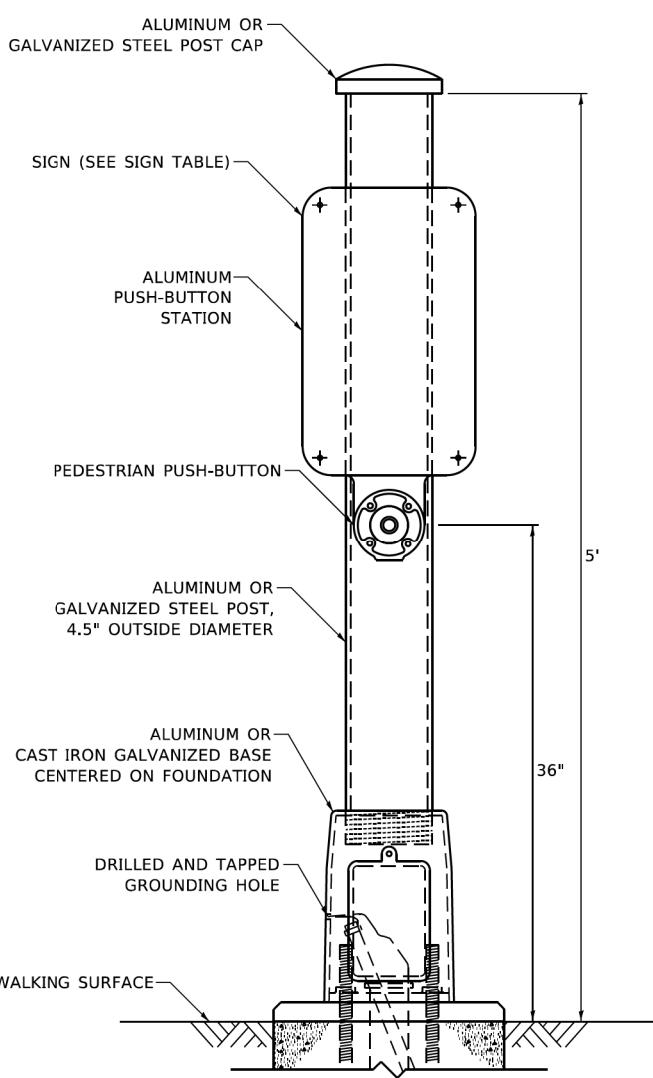
NOTE:
 1. IF THE PEDESTRIAN SIGNAL POST FOUNDATION IS INSTALLED WITHIN OR BEHIND A BARRIER CURB, THE TOP OF THE FOUNDATION SHALL BE INSTALLED FLUSH WITH THE TOP OF THE BARRIER CURB.



CONCRETE FOUNDATION, TYPE A 12-INCH DIAMETER



PEDESTRIAN SIGNAL POST, 10 FT.



PEDESTRIAN SIGNAL POST, 5 FT.



SIGN TABLE

SIGN	DIMENSIONS
R10-3b (RAILROAD ONLY)	9" X 12"
R10-3d (RAILROAD ONLY)	9" X 12"
R10-3e	9" X 15"

NOTES:
 1. THE SIGN PANELS SHALL BE TYPE AP SHEETING.
 2. THE ARROW ON SIGNS FOR PUSH-BUTTONS SERVING TWO DIRECTIONS ON THE SAME PHASE SHALL BE BI-DIRECTIONAL.
 3. THE SIGN FOR DUAL-CALL PUSH-BUTTONS SHALL HAVE NO ARROW.

MODEL: Default
 FILE: Model: 3x12PedestrianPostPedestrianSignalPost_WorkingFiles-DO-NOT-USE.dgn

USER NAME = plascencal	DESIGNED - IP	REVISED - 10/15/2020
PLOT SCALE = 100.0000' / in.	DRAWN - IP	REVISED -
PLOT DATE = 11/17/2020	CHECKED - LP	REVISED -
	DATE - 10/15/2018	REVISED -

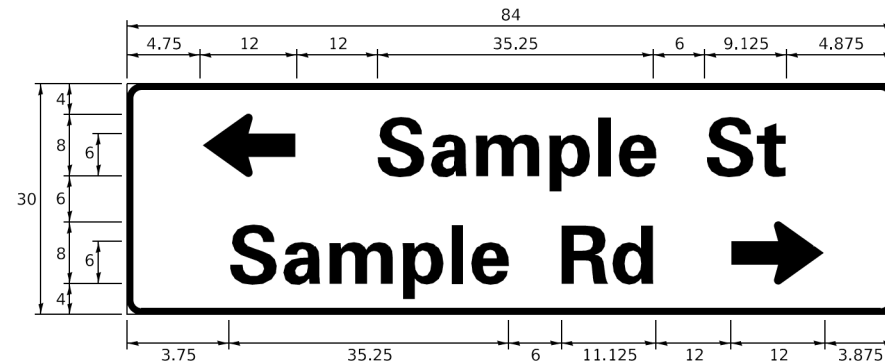
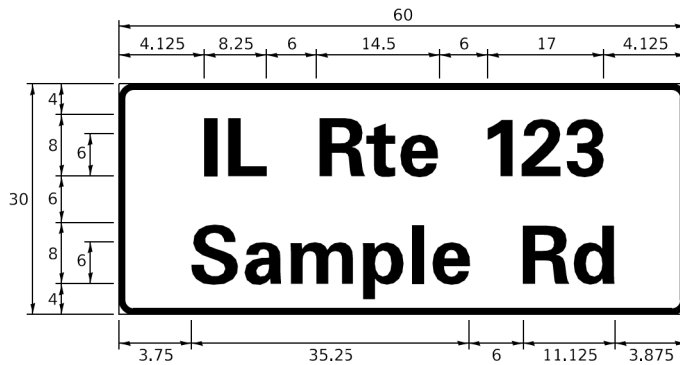
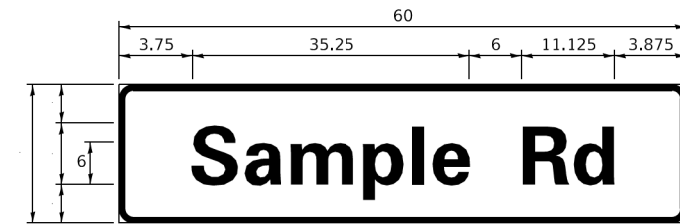
**STATE OF ILLINOIS
 DEPARTMENT OF TRANSPORTATION**

**DISTRICT ONE
 STANDARD TRAFFIC SIGNAL DESIGN DETAILS**

SCALE: NTS SHEET NO. 7 OF 7 SHEETS STA. TO STA.

F.A.U. RTE.	SECTION	COUNTY	TOTAL SHEETS	SHEET NO.
2511	16-00086-01-FP	KANE	169	98
TS-05		CONTRACT NO.		
ILLINOIS FED. AID PROJECT				

SIGN PANEL – TYPE 1 OR TYPE 2



DESIGN SERIES	AREA (SQ FT)	SIGN PANEL TYPE	SHEETING TYPE	QTY. REQUIRED
D OR C	-	1 OR 2	ZZ	-

COMMON STREET NAME ABBREVIATIONS AND WIDTHS

NAME	ABBREVIATION	WIDTH (INCH)	
		SERIES "C"	SERIES "D"
AVENUE	Ave	15.000	18.250
BOULEVARD	Blvd	17.125	20.000
CIRCLE	Cir	11.125	13.000
COURT	Ct	8.250	9.625
DRIVE	Dr	8.625	10.125
HIGHWAY	Hwy	18.375	22.000
ILLINOIS	IL	7.000	8.250
LANE	Ln	9.125	10.750
PARKWAY	Pkwy	23.375	27.375
PLACE	Pl	7.125	7.750
ROAD	Rd	9.625	11.125
ROUTE	Rte	12.625	14.500
STREET	St	8.000	9.125
TERRACE	Ter	12.625	14.625
TRAIL	Tr	7.750	9.125
UNITED STATES	US	10.375	12.250

GENERAL NOTES

- WHERE MAST ARM MOUNTED STREET NAME SIGNS ARE SPECIFIED, THE MAST ARM ASSEMBLY AND POLES SHALL BE DESIGNED TO SUPPORT THE LOADINGS CALLED FOR ON STANDARDS 877001, 877002, 877006, 877011 AND 877012. AS APPLICABLE, PLUS TWO (2) SIGN PANELS 2'-6" x 8'-0" MOUNTED AS SHOWN. THE DESIGN SHALL BE IN ACCORDANCE WITH THE REQUIREMENTS OF THE CURRENT "STANDARD SPECIFICATIONS FOR STRUCTURAL SUPPORTS FOR HIGHWAY SIGNS, LUMINAIRES, AND TRAFFIC SIGNALS" AS PUBLISHED BY THE AMERICAN ASSOCIATION OF STATE HIGHWAY AND TRANSPORTATION OFFICIALS FOR 80 M.P.H. WIND VELOCITY.
- ALL SIGNS SHALL CONSIST OF A WHITE LEGEND AND BORDER (TYPE ZZ SHEETING) ON A GREEN BACKGROUND (TYPE ZZ SHEETING)
- THE SIGN LENGTH SHALL BE IN 6-INCH INCREMENTS, BUT THE OVERALL LENGTH SHALL NOT EXCEED 8'-0". ALL BORDERS IF POSSIBLE, BUT MAY BE REDUCED TO 5" WHEN SPACING IS CRITICAL. A MINIMUM OF 2-1/2" SHALL BE INCLUDED BETWEEN THE WORD AND THE RIGHT AND LEFT EDGES OF THE SIGN.
- A PREFERRED METHOD FOR THE SIGN DESIGN IS TO USE SERIES "D" LETTER ON A ONE-LINE SIGN 18" IN HEIGHT AND A MAXIMUM OF 8'-0" IN WIDTH. IF SERIES "D" DOES NOT FIT ON A 8'-0" SIGN, THEN SERIES "C" SHOULD BE TRIED. IF SERIES "C" DOES NOT FIT ON A 8'-0" SIGN, A 30" HIGH TWO-LINE SIGN CAN BE USED. THE CROSSROAD DESIGNATION AS TO STREET, AVENUE, ETC. SHOULD BE SPELLED OUT ON THE SECOND LINE, IF THE ABBREVIATION CANNOT FIT ON THE FIRST LINE.
- LED ILLUMINATED STREET NAME SIGNS CAN BE USED IN PLACE OF REGULAR SIGN PANELS BUT ANY SPECIAL WORDING AND SYMBOLOGY MUST BE APPROVED BY THE DEPARTMENT. GENERAL DESIGN REQUIREMENT AS LISTED ABOVE (COLOR, FONT, SIZE, ETC.) MUST BE FOLLOWED.
- SIGNFIX ALUMINUM CHANNEL FRAMING SYSTEM SHALL BE USED FOR ALL SIGNS ATTACHED TO SIGNAL POLES AND POSTS.

LOCAL SUPPLIERS:

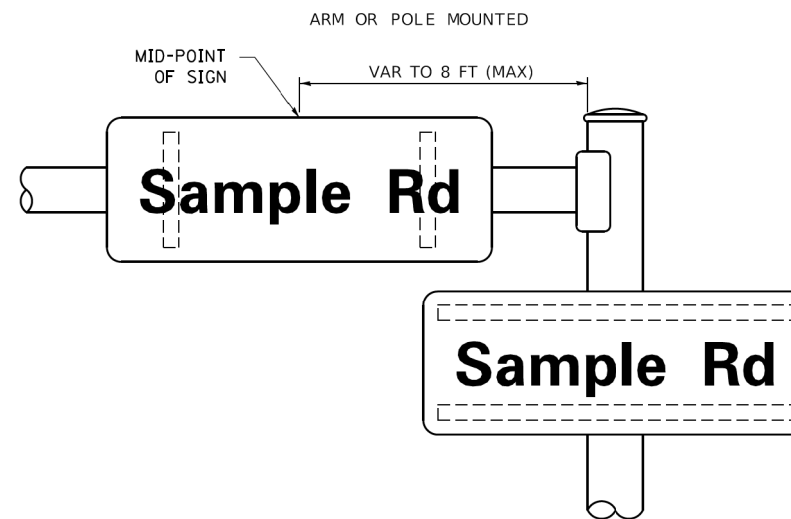
- J.O. HERBERT COMPANY, INC
MIDLOTHIAN, VA
- WESTERN REMAC, INC.
WOODRIDGE, IL

PARTS LISTING:

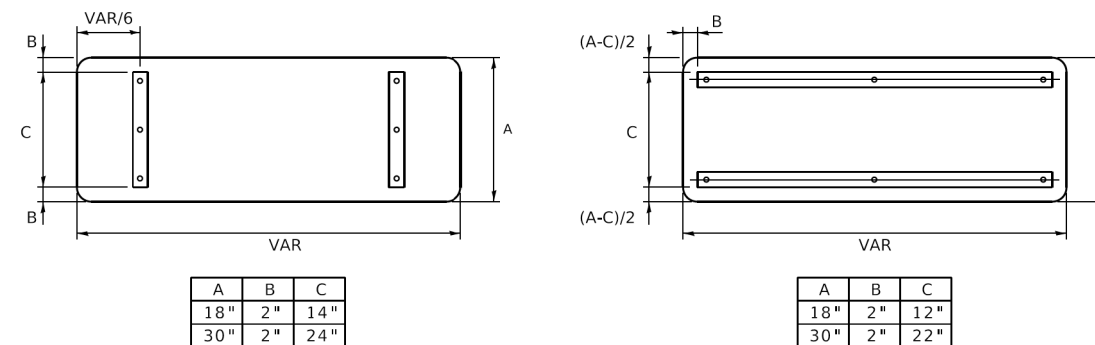
- SIGN CHANNEL PART #HPN053 (MED. CHANNEL)
- SIGN SCREWS 1/4" x 14 x 1" H.W.H. #3
- BRACKETS SELF TAPPING WITH NEOPRENE WASHER
- CHANNEL CLAMPS WITH STAINLESS STEEL STRAPPING PART #HPN034 (UNIVERSAL)

OTHER BRANDS OF MOUNTING HARDWARE ARE ACCEPTABLE, BASED UPON THE DEPARTMENT'S APPROVAL AND COMPATIBILITY WITH THE CHANNEL/BACKET OF THE ABOVE PRODUCT.

MOUNTING LOCATION



SUPPORTING CHANNELS



STANDARD ALPHABETS SPACING CHART

(8") UPPER CASE AND (6") LOWER CASE

FHWA SERIES "C"				FHWA SERIES "D"			
CHARACTER	LEFT SPACING (INCH)	WIDTH (INCH)	RIGHT SPACING (INCH)	CHARACTER	LEFT SPACING (INCH)	WIDTH (INCH)	RIGHT SPACING (INCH)
A	0.240	5.122	0.240	A	0.240	6.804	0.240
B	0.880	4.482	0.480	B	0.960	5.446	0.400
C	0.720	4.482	0.720	C	0.800	5.446	0.800
D	0.880	4.482	0.720	D	0.960	5.446	0.800
E	0.880	4.082	0.480	E	0.960	4.962	0.400
F	0.880	4.082	0.240	F	0.960	4.962	0.240
G	0.720	4.482	0.720	G	0.800	5.446	0.800
H	0.880	4.482	0.880	H	0.960	5.446	0.960
I	0.880	1.120	0.880	I	0.960	1.280	0.960
J	0.240	4.082	0.880	J	0.240	5.122	0.960
K	0.880	4.482	0.480	K	0.960	5.604	0.400
L	0.880	4.082	0.240	L	0.960	4.962	0.240
M	0.880	5.284	0.880	M	0.960	6.244	0.960
N	0.880	4.482	0.880	N	0.960	5.446	0.960
O	0.720	4.722	0.720	O	0.800	5.684	0.800
P	0.880	4.482	0.720	P	0.960	5.446	0.240
Q	0.720	4.722	0.720	Q	0.800	5.684	0.800
R	0.880	4.482	0.480	R	0.960	5.446	0.400
S	0.480	4.482	0.480	S	0.400	5.446	0.400
T	0.240	4.082	0.240	T	0.240	4.962	0.240
U	0.880	4.482	0.880	U	0.960	5.446	0.960
V	0.240	4.962	0.240	V	0.240	6.084	0.240
W	0.240	6.084	0.240	W	0.240	7.124	0.240
X	0.240	4.722	0.240	X	0.400	5.446	0.400
Y	0.240	5.122	0.240	Y	0.240	6.884	0.240
Z	0.480	4.482	0.480	Z	0.400	5.446	0.400
a	0.320	3.842	0.640	a	0.400	4.562	0.720
b	0.720	4.082	0.480	b	0.800	4.802	0.480
c	0.480	4.002	0.240	c	0.480	4.722	0.240
d	0.480	4.082	0.720	d	0.480	4.802	0.800
e	0.480	4.082	0.320	e	0.480	4.722	0.320
f	0.320	2.480	0.160	f	0.320	2.882	0.160
g	0.480	4.082	0.720	g	0.480	4.802	0.800
h	0.720	4.082	0.640	h	0.800	4.722	0.720
i	0.720	1.120	0.720	i	0.800	1.280	0.800
j	0.000	2.320	0.720	j	0.000	2.642	0.800
k	0.720	4.322	0.160	k	0.800	5.122	0.160
l	0.720	1.120	0.720	l	0.800	1.280	0.800
m	0.720	6.724	0.640	m	0.800	7.926	0.720
n	0.720	4.082	0.640	n	0.800	4.722	0.720
o	0.480	4.082	0.480	o	0.480	4.882	0.480
p	0.720	4.082	0.480	p	0.800	4.802	0.480
q	0.480	4.082	0.720	q	0.480	4.802	0.800
r	0.720	2.642	0.160	r	0.800	3.042	0.160
s	0.320	3.362	0.240	s	0.320	3.762	0.240
t	0.080	2.882	0.080	t	0.080	3.202	0.080
u	0.640	4.082	0.720	u	0.720	4.722	0.800
v	0.160	4.722	0.160	v	0.160	5.684	0.160
w	0.160	7.524	0.160	w	0.160	9.046	0.160
x	0.000	5.202	0.000	x	0.000	6.244	0.000
y	0.160	4.962	0.160	y	0.160	6.004	0.160
z	0.240	3.362	0.240	z	0.240	4.002	0.240
1	0.720	1.680	0.880	1	0.800	2.000	0.960
2	0.480	4.482	0.480	2	0.800	5.446	0.800
3	0.480	4.482	0.480	3	1.440	5.446	0.800
4	0.240	4.962	0.720	4	0.160	6.004	0.960
5	0.480	4.482	0.480	5	0.800	5.446	0.800
6	0.720	4.482	0.720	6	0.800	5.446	0.800
7	0.240	4.482	0.720	7	0.560	5.446	0.560
8	0.480	4.482	0.480	8	0.800	5.446	0.800
9	0.480	4.482	0.480	9	0.800	5.446	0.800
0	0.720	4.722	0.720	0	0.800	5.684	0.800
-	0.240	2.802	0.240	-	0.240	2.802	0.240

MODEL: Default; FILE: \\miller\0848\BENTLEY\Illinois\gov\p\WIDOT\Documents\DOT_Offices\Dist\ct_1\Projects\Dist\52723-2a\CADD\h\CAD\sheet\ts02.dgn

USER NAME = footemj	DESIGNED - LP/IP	REVISED - LP 07/01/2015
PLOT SCALE = 50.0000' / 1"	CHECKED - IP	REVISED -
PLOT DATE = 3/4/2019	DATE - 10/01/2014	REVISED -

**STATE OF ILLINOIS
DEPARTMENT OF TRANSPORTATION**

**DISTRICT ONE
MAST ARM MOUNTED STREET NAME SIGNS**

F.A.U. RTE. 2511	SECTION 16-00088-01-FP	COUNTY KANE	TOTAL SHEETS 169	SHEET NO. 99
TS-02		CONTRACT NO.		
ILLINOIS / FED. AID PROJECT				

SCALE: NONE SHEET 1 OF 1 SHEETS STA. TO STA.

